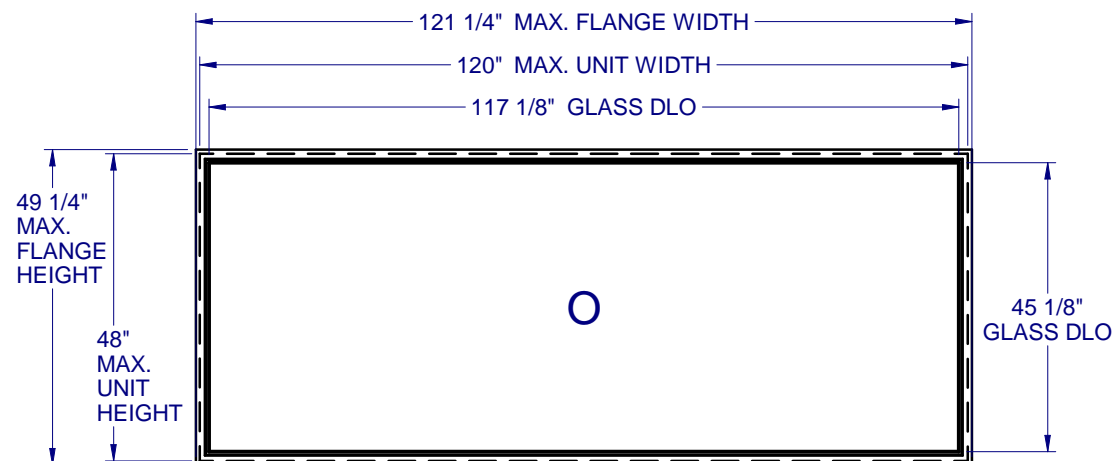
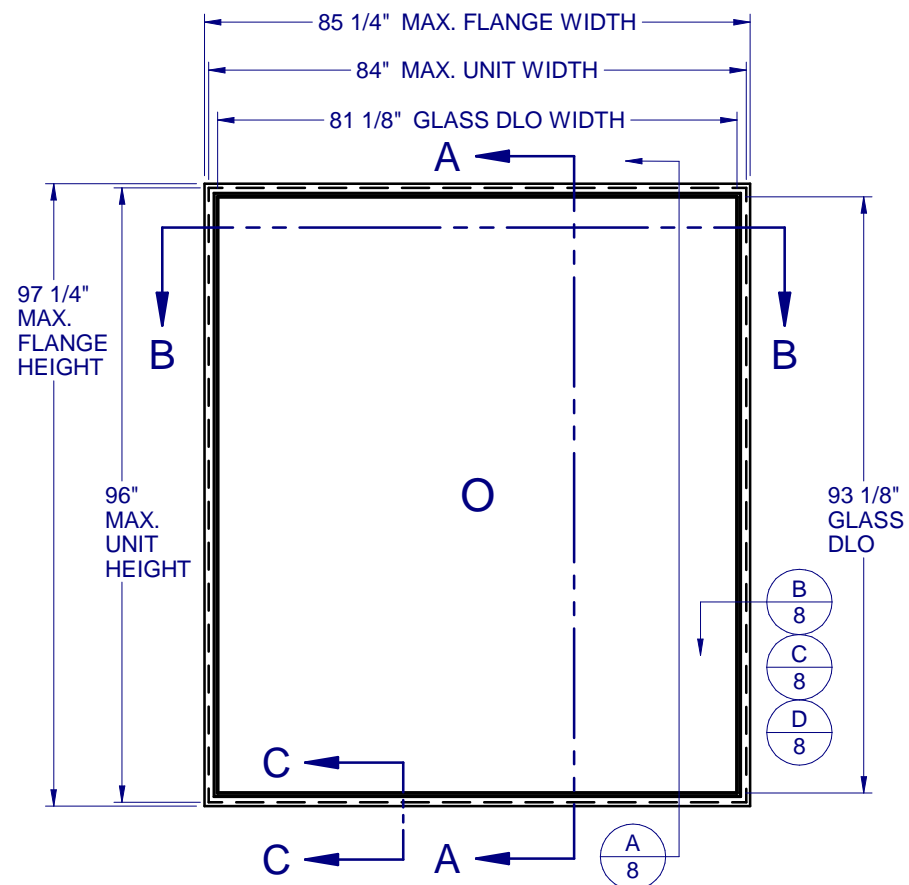


# PICTURE WINDOW - NON-IMPACT



## TABLE OF CONTENTS

- GENERAL NOTES & ELEVATIONS.....1
- ARCHITECTURAL SHAPES.....2
- GLAZING DETAILS.....3
- COMPARATIVE ANALYSIS.....4
- SECTION VIEWS & ALT. FRAME.....5
- BOM & EXTRUSIONS.....6
- ANCHOR SCHEDULE & NOTES.....7
- INSTALLATION DETAILS.....8

MAX. UNIT SIZE	DESIGN PRESSURE RATING	IMPACT RATING
84" x 96"	SEE COMPARATIVE ANALYSIS CHART, SHEET 4	NONE
120" x 48"		NONE

## GENERAL NOTES:

1. THE PRODUCT SHOWN HEREIN IS DESIGNED AND MANUFACTURED TO COMPLY WITH THE FLORIDA BUILDING CODE (FBC), CURRENT EDITION.
2. GLAZING OPTIONS: (SEE SHEET 3)
3. CONFIGURATIONS: "O". ARCHITECTURAL SHAPES INCLUDE, BUT ARE NOT LIMITED TO, THOSE SHOWN ON SHEET 2.
4. DESIGN PRESSURE RATING (SEE SHEET 4):
  - NEGATIVE DESIGN LOADS BASED ON, TESTED PRESSURE AND GLASS TABLES ASTM E-1300-04e01/09.
  - POSITIVE DESIGN LOADS BASED ON, TESTED PRESSURE, WATER INFILTRATION TEST PRESSURE AND GLASS TABLES ASTM E-1300-04e01/09.
5. ANCHORAGE: THE 33 1/3% STRESS INCREASE HAS NOT BEEN USED IN THE DESIGN OF THIS PRODUCT. SEE SHEET 8 FOR ANCHOR DETAILS. WINDLOAD DURATION FACTOR Cd=1.6 WAS USED FOR WOOD ANCHOR CALCULATIONS.
6. NOT APPROVED FOR IMPACT RESISTANCE. IMPACT PROTECTIVE SYSTEM IS REQUIRED IN WIND BORNE DEBRIS REGION.
7. ALL FRAMES FULLY WELDED.
8. SERIES / MODEL DESIGNATION PW-8300.
9. THE DESIGNATION X AND O STAND FOR THE FOLLOWING:  
O = FIXED SASH
10. SECTION CALLOUTS APPLY TO ALL ELEVATIONS IN A SIMILAR LOCATION.



1900 SW 44TH AVE.  
OCALA, FLORIDA 34474  
WWW.CWS.CC

## 8300 PVC PICTURE WINDOW NON-IMPACT

PROPRIETARY AND CONFIDENTIAL  
 THE INFORMATION CONTAINED IN THIS DRAWING IS THE SOLE PROPERTY OF CUSTOM WINDOW SYSTEMS, INC. ANY REPRODUCTION IN PART OR AS A WHOLE WITHOUT THE WRITTEN PERMISSION OF CUSTOM WINDOW SYSTEMS, INC IS PROHIBITED.



8/05/2020

LUCAS A. TURNER, P.E.  
FL PE # 58201  
2428 Old Natchez Trc Trl  
Camden, TN 38320  
PH. 941-380-1574

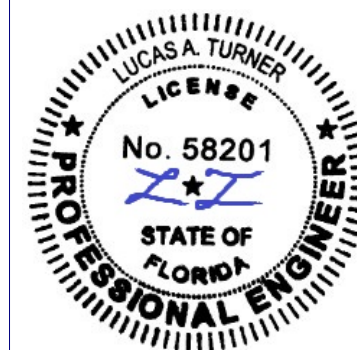
## SHEET DESCRIPTION:

## GENERAL NOTES AND ELEVATIONS

DRAWN BY: ADE	DATE: 02/08/09
DWG #: CWS-339	REV.: F
SCALE: 1:33.33	SHEET 1 OF 8

**8300 PVC  
PICTURE WINDOW  
NON-IMPACT**

PROPRIETARY AND CONFIDENTIAL  
THE INFORMATION CONTAINED IN  
THIS DRAWING IS THE SOLE  
PROPERTY OF CUSTOM WINDOW  
SYSTEMS, INC. ANY  
REPRODUCTION IN PART OR AS A  
WHOLE WITHOUT THE WRITTEN  
PERMISSION OF CUSTOM WINDOW  
SYSTEMS, INC IS PROHIBITED.



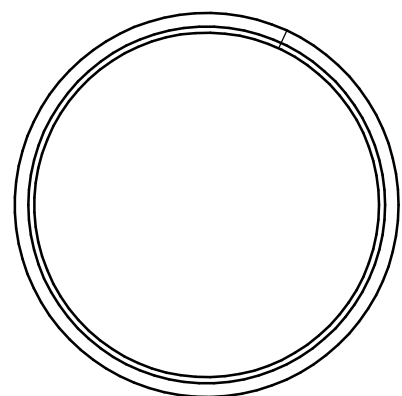
8/05/2020

LUCAS A. TURNER, P.E.  
FL PE # 58201  
2428 Old Natchez Trc Trl  
Camden, TN 38320  
PH. 941-380-1574

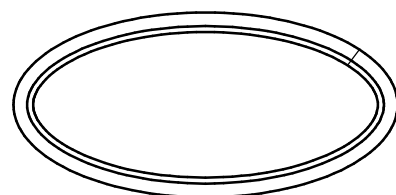
SHEET DESCRIPTION:

**ARCHITECTURAL  
SHAPES**

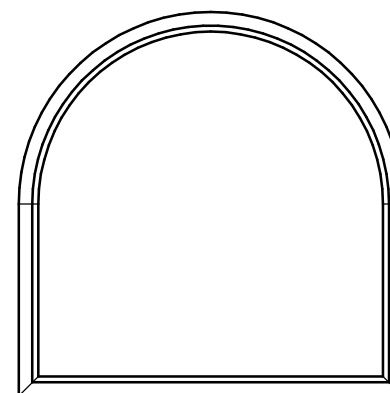
DRAWN BY: ADE	DATE: 02/08/09
DWG #: CWS-339	REV.: F
SCALE: 1:1	SHEET 2 OF 8



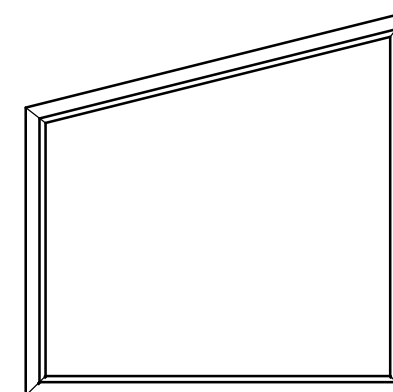
FULL CIRCLE



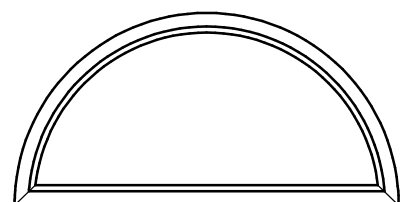
FULL ELLIPSE (OVAL)



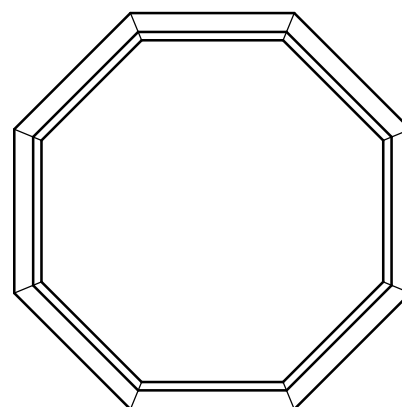
TOMBSTONE



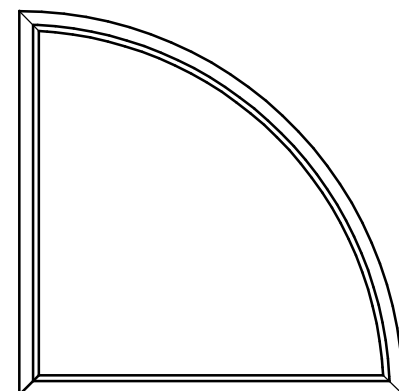
TRAPEZOID



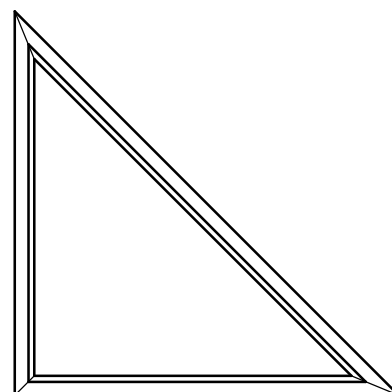
1/2 CIRCLE



OCTAGON



1/4 CIRCLE



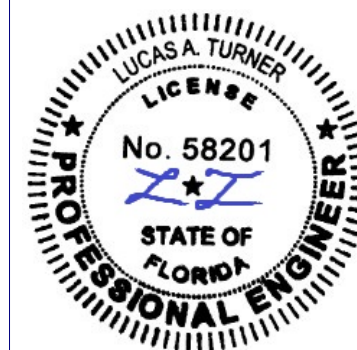
TRIANGLE

NOTES:

1. SEE SHEET 7 FOR DETAILED ANCHOR INSTALLATION REQUIREMENTS.
2. THRU FRAME - MASONRY, WOOD OR METAL OPENING.  
THRU FIN - WOOD OPENING.
3. OVERALL SIZE MUST NOT EXCEED THE MAX. WIDTH AND HEIGHT OF  
RECTANGULAR WINDOWS ON SHEET 1.
4. ANCHOR SPACING FOR ARCHITECTURAL FLANGE AND FIN WINDOWS  
MUST FOLLOW THE LAYOUT SHOWN ON SHEET 7, WITH ANCHOR  
SPACING MEASURED ALONG THE LENGTH OF THE PRODUCT.

**8300 PVC  
PICTURE WINDOW  
NON-IMPACT**

**PROPRIETARY AND CONFIDENTIAL**  
THE INFORMATION CONTAINED IN THIS DRAWING IS THE SOLE PROPERTY OF CUSTOM WINDOW SYSTEMS, INC. ANY REPRODUCTION IN PART OR AS A WHOLE WITHOUT THE WRITTEN PERMISSION OF CUSTOM WINDOW SYSTEMS, INC IS PROHIBITED.



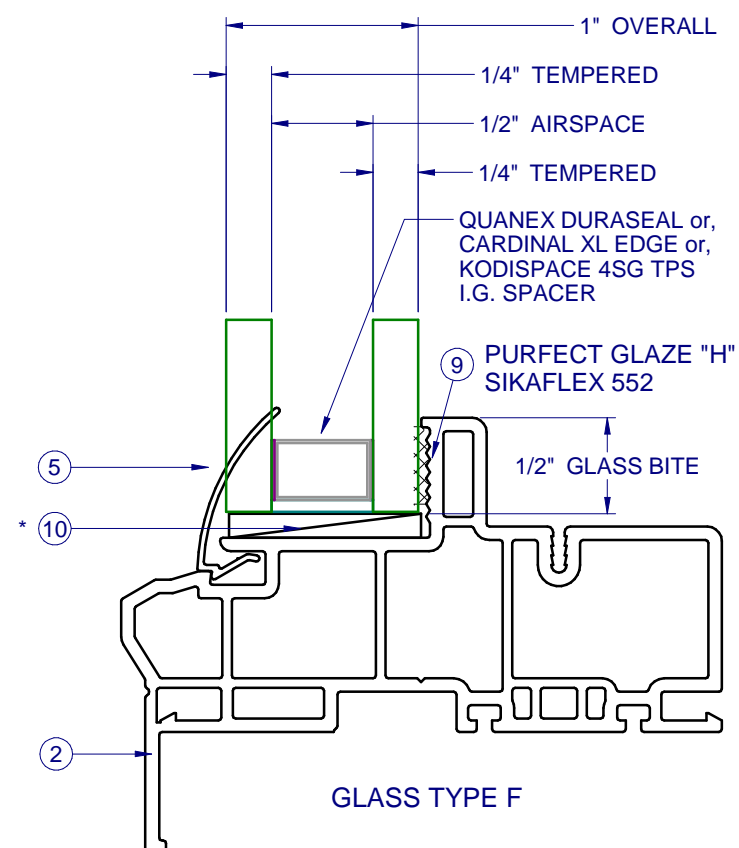
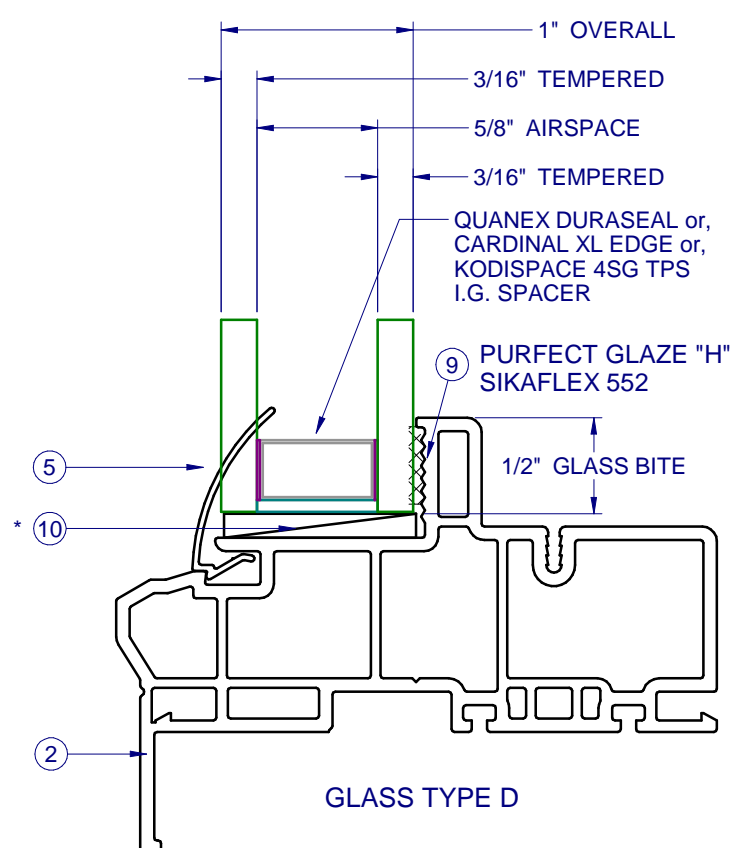
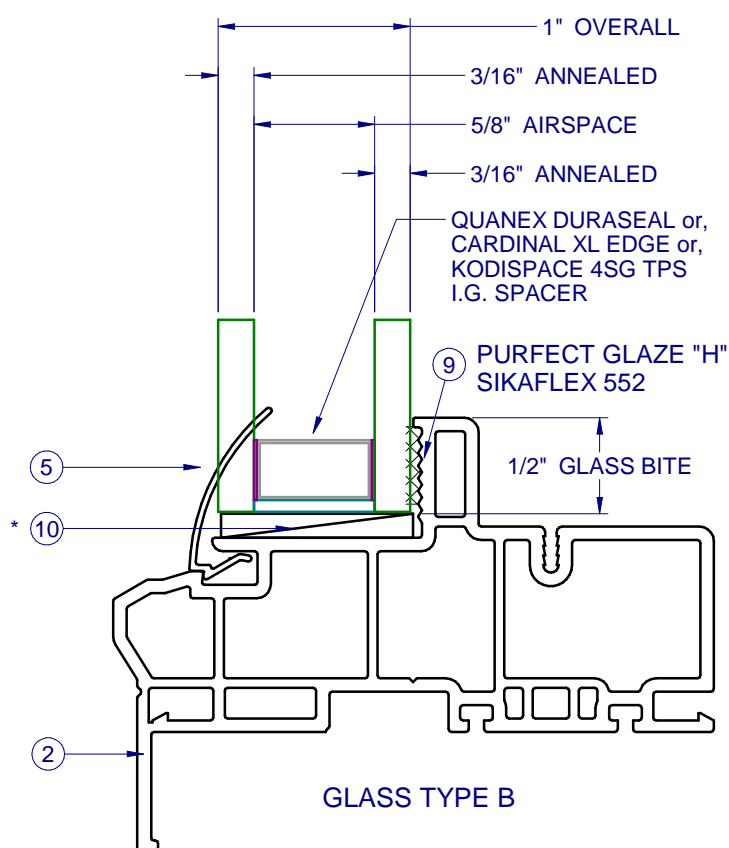
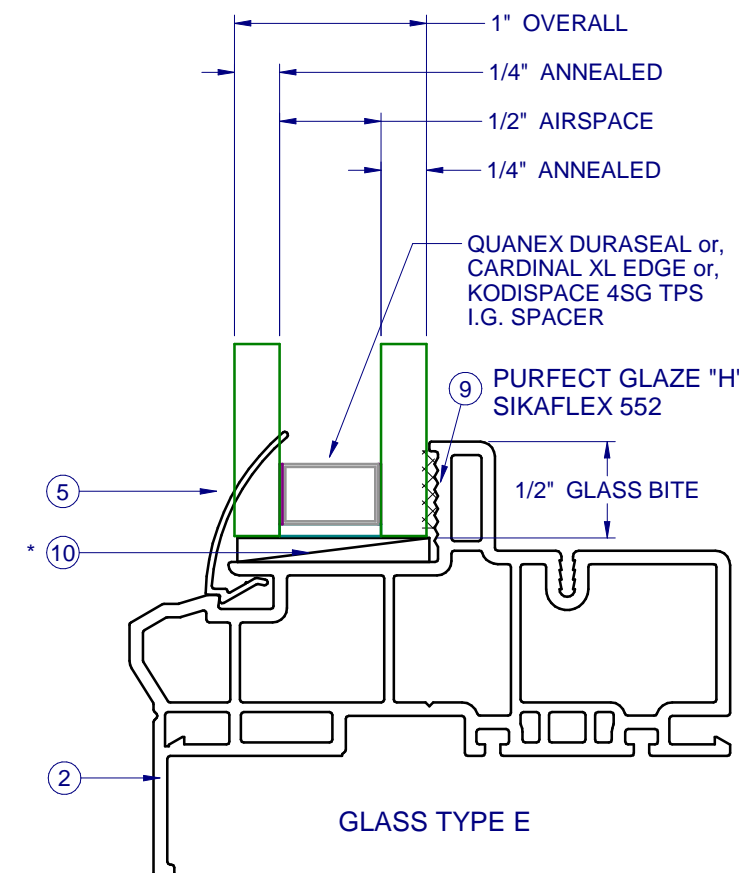
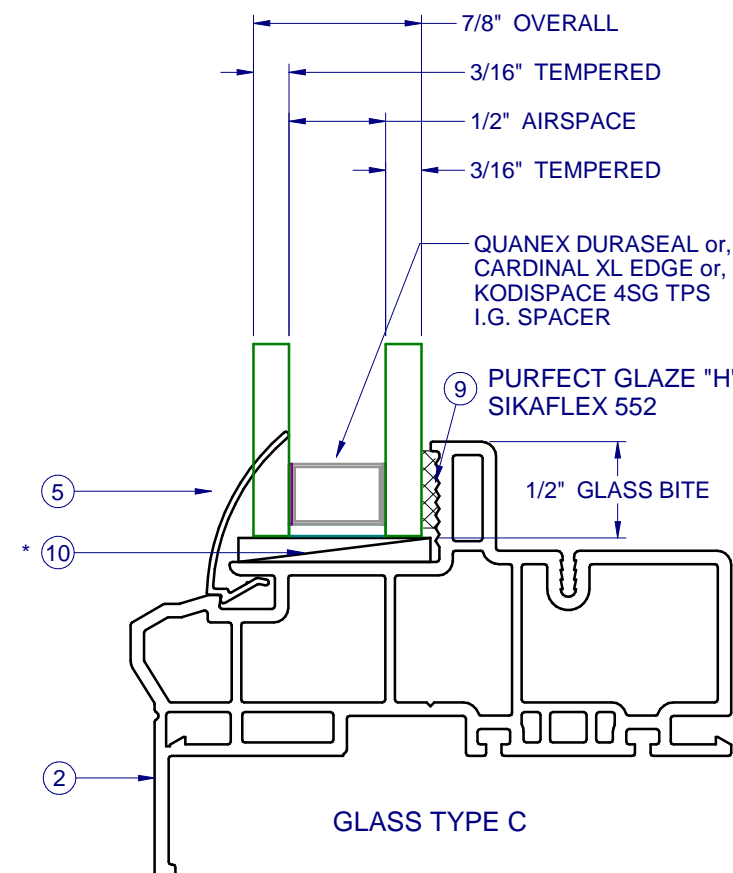
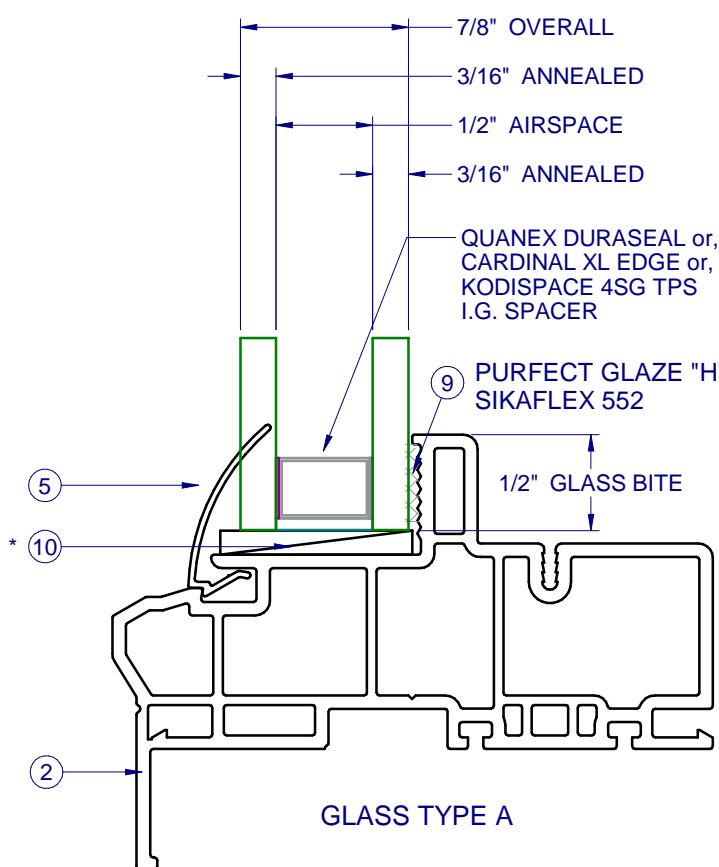
8/05/2020

LUCAS A. TURNER, P.E.  
FL PE # 58201  
2428 Old Natchez Trc Trl  
Camden, TN 38320  
PH. 941-380-1574

SHEET DESCRIPTION:

**GLAZING DETAILS**

DRAWN BY:	DATE:
ADE	02/08/09
DWG #:	REV.:
CWS-339	F
SCALE:	SHEET
1:1	3 OF 8



\* SETTING BLOCKS PER FBC 2411.3.3.1

"O" CONFIG. DESIGN PRESSURES, PSF (POSITIVE AND NEGATIVE PRESSURES ARE EQUAL)

WINDOW SHORT DIMENSION, UNIT SIZE (IN.)	GLASS TYPE	WINDOW LONG DIMENSION, UNIT SIZE (IN.)																
		30	36	42	48	54	60	66	72	78	84	90	96	102	108	114	120	
30	A,B	60.0	60.0	60.0	60.0	60.0	60.0	60.0	60.0	60.0	60.0	60.0	60.0	60.0	60.0	59.3	57.8	
	E	60.0	60.0	60.0	60.0	60.0	60.0	60.0	60.0	60.0	60.0	60.0	60.0	60.0	60.0	60.0	58.5	
	C,D,F	97.5	97.5	97.5	97.5	97.5	97.5	97.5	97.5	97.5	97.5	97.5	97.5	97.5	60.0	60.0	58.5	
36	A,B	60.0	60.0	60.0	60.0	60.0	60.0	60.0	60.0	60.0	60.0	56.2	52.0	48.4	46.1	44.4	42.8	41.2
	E	60.0	60.0	60.0	60.0	60.0	60.0	60.0	60.0	60.0	60.0	60.0	60.0	60.0	60.0	56.9	53.3	50.2
	C,D,F	97.5	97.5	97.5	97.5	97.5	97.5	97.5	97.5	97.5	97.5	97.5	97.5	97.5	60.0	56.9	53.3	50.2
42	A,B	60.0	60.0	60.0	60.0	60.0	60.0	60.0	60.0	60.0	60.0	55.0	49.8	45.5	41.9			
	E	60.0	60.0	60.0	60.0	60.0	60.0	60.0	60.0	60.0	60.0	60.0	60.0	56.4	52.2	50.4	47.2	44.3
	C,D,F	97.5	97.5	97.5	97.5	97.5	97.5	97.5	97.5	97.5	97.5	97.5	97.5	93.6	52.2	50.4	47.2	44.3
48	A,B	60.0	60.0	60.0	60.0	60.0	60.0	60.0	60.0	60.0	60.0	55.0	50.0	45.8	40.0			
	E	60.0	60.0	60.0	60.0	60.0	60.0	60.0	60.0	60.0	60.0	60.0	57.3	52.5	40.0	40.0	40.0	40.0
	C,D,F	97.5	97.5	97.5	97.5	97.5	97.5	97.5	97.5	97.5	97.5	97.5	93.1	85.3	40.0	40.0	40.0	40.0
54	A,B	60.0	60.0	60.0	60.0	60.0	60.0	60.0	60.0	57.0	52.9	49.0	45.5					
	E	60.0	60.0	60.0	60.0	60.0	60.0	60.0	60.0	60.0	60.0	58.9	53.3	48.7				
	C,D,F	97.5	97.5	97.5	97.5	97.5	97.5	97.5	97.5	97.5	97.5	95.8	86.7	79.1				
60	A,B	60.0	60.0	60.0	60.0	60.0	60.0	60.0	60.0	56.4	52.8	49.3	46.1	43.5				
	E	60.0	60.0	60.0	60.0	60.0	60.0	60.0	60.0	60.0	60.0	56.0	50.4	45.8				
	C,D,F	97.5	97.5	97.5	97.5	97.5	91.6	91.6	91.6	91.6	91.6	91.0	81.9	74.5				
66	A,B	60.0	60.0	60.0	60.0	60.0	60.0	55.7	52.2	48.6	45.6	42.8	40.4					
	E	60.0	60.0	60.0	60.0	60.0	60.0	55.7	55.7	55.7	53.9	48.2	43.6					
	C,D,F	97.5	97.5	97.5	97.5	97.5	91.6	83.3	83.3	83.3	83.3	78.4	70.9					
72	A,B	60.0	60.0	60.0	60.0	60.0	56.4	52.2	48.3	45.0	42.3							
	E	60.0	60.0	60.0	60.0	60.0	60.0	55.7	51.1	51.1	51.1	46.7	42.0					
	C,D,F	97.5	97.5	97.5	97.5	97.5	91.6	83.3	76.3	76.3	76.3	75.8	68.3					
78	A,B	60.0	60.0	60.0	60.0	57.0	52.8	48.6	45.0	41.9								
	E	60.0	60.0	60.0	60.0	60.0	60.0	55.7	51.1	46.4	46.4	45.6	40.8					
	C,D,F	97.5	97.5	97.5	97.5	97.5	91.6	83.3	76.3	70.4	70.4	70.4	66.3					
84	A,B	60.0	56.2	55.0	55.0	52.9	49.3	45.6	42.3									
	E	60.0	60.0	60.0	60.0	58.9	56.0	53.9	51.1	46.4	40.0	40.0	40.0					
	C,D,F	97.5	97.5	97.5	97.5	95.8	91.0	83.3	76.3	70.4	65.0	65.0	65.0					



1900 SW 44TH AVE.  
OCALA, FLORIDA 34474  
WWW.CWS.CC

**8300 PVC  
PICTURE WINDOW  
NON-IMPACT**

**PROPRIETARY AND CONFIDENTIAL**  
THE INFORMATION CONTAINED IN THIS DRAWING IS THE SOLE PROPERTY OF CUSTOM WINDOW SYSTEMS, INC. ANY REPRODUCTION IN PART OR AS A WHOLE WITHOUT THE WRITTEN PERMISSION OF CUSTOM WINDOW SYSTEMS, INC IS PROHIBITED.



8/05/2020

LUCAS A. TURNER, P.E.  
FL PE # 58201  
2428 Old Natchez Trc Trl  
Camden, TN 38320  
PH. 941-380-1574

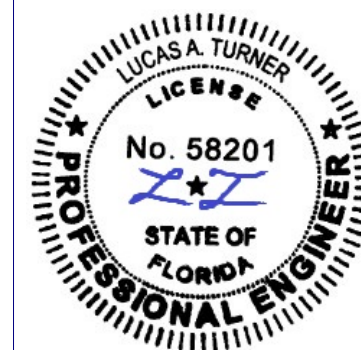
SHEET DESCRIPTION:  
**COMPARATIVE ANALYSIS**

DRAWN BY: <b>ADE</b>	DATE: <b>02/08/09</b>
DWG #: <b>CWS-339</b>	REV.: <b>F</b>
SCALE: <b>1:1</b>	<b>SHEET 4 OF 8</b>

NOTES:  
1. IF SIZE INTENDED IS NOT SHOWN, USE NEXT LARGER SIZE.  
2. SHADED SIZES ARE NOT ALLOWED FOR THAT GLASS TYPE.

**8300 PVC  
PICTURE WINDOW  
NON-IMPACT**

PROPRIETARY AND CONFIDENTIAL  
THE INFORMATION CONTAINED IN  
THIS DRAWING IS THE SOLE  
PROPERTY OF CUSTOM WINDOW  
SYSTEMS, INC. ANY  
REPRODUCTION IN PART OR AS A  
WHOLE WITHOUT THE WRITTEN  
PERMISSION OF CUSTOM WINDOW  
SYSTEMS, INC IS PROHIBITED.



8/05/2020

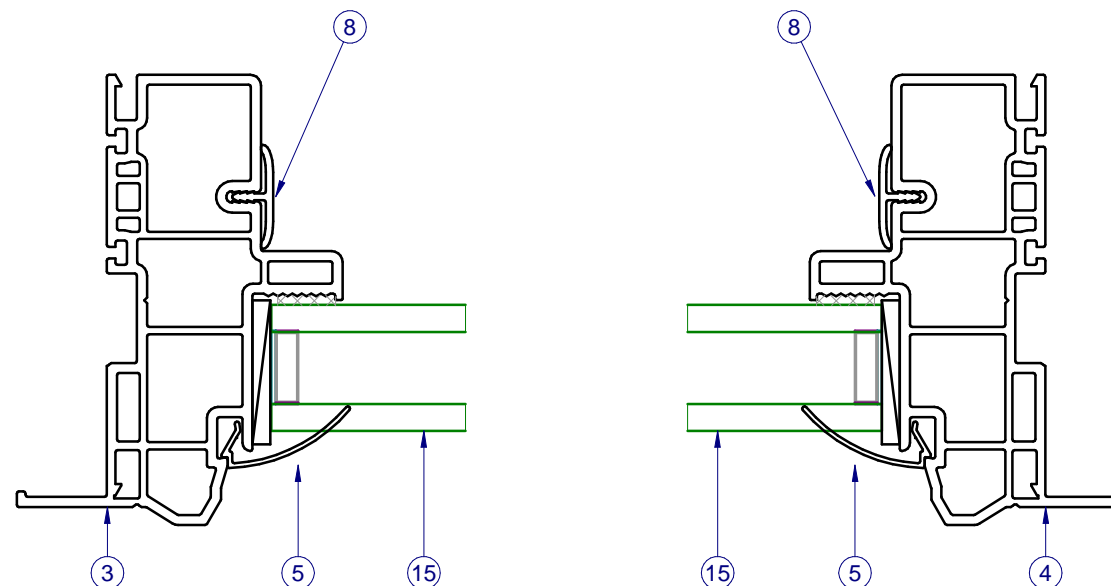
LUCAS A. TURNER, P.E.  
FL PE # 58201  
2428 Old Natchez Trc Trl  
Camden, TN 38320  
PH. 941-380-1574

SHEET DESCRIPTION:

**SECTION VIEWS**

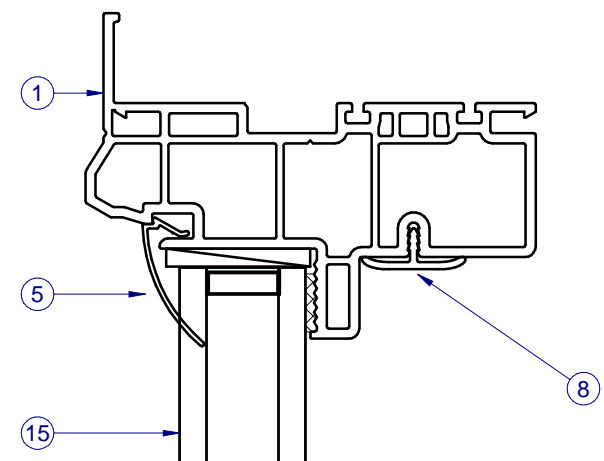
DRAWN BY: ADE	DATE: 02/08/09
DWG #: CWS-339	REV.: F
SCALE: 1:1.33	SHEET 5 OF 8

INTERIOR

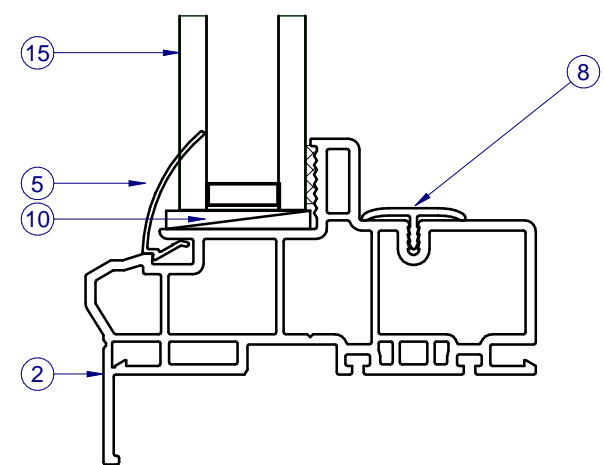


SECTION VIEW B-B

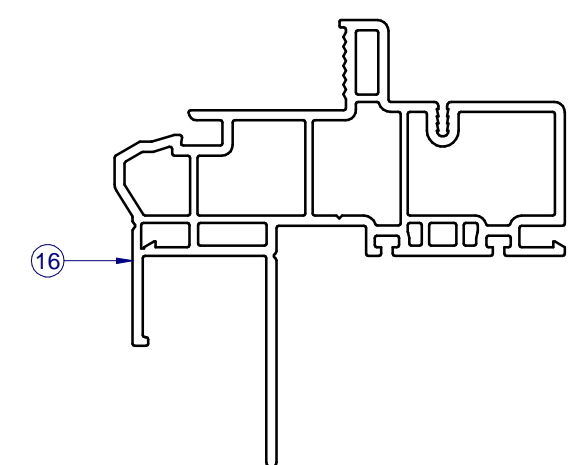
INTERIOR



SECTION VIEW A-A



SECTION VIEW A-A



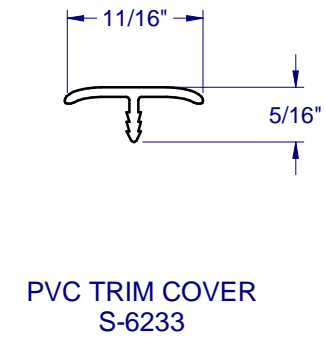
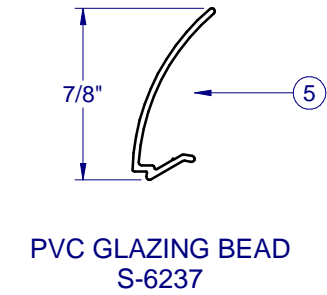
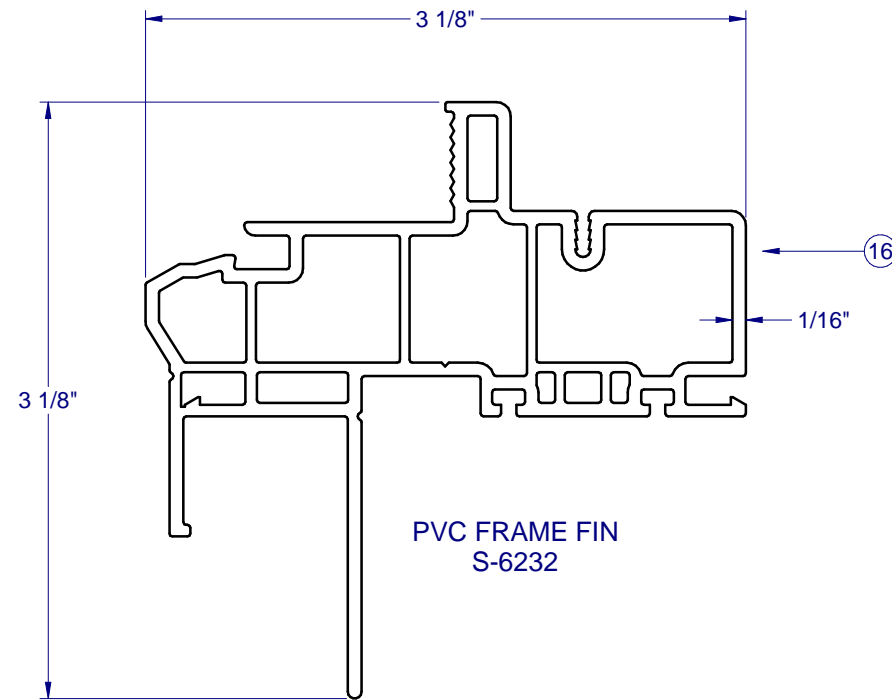
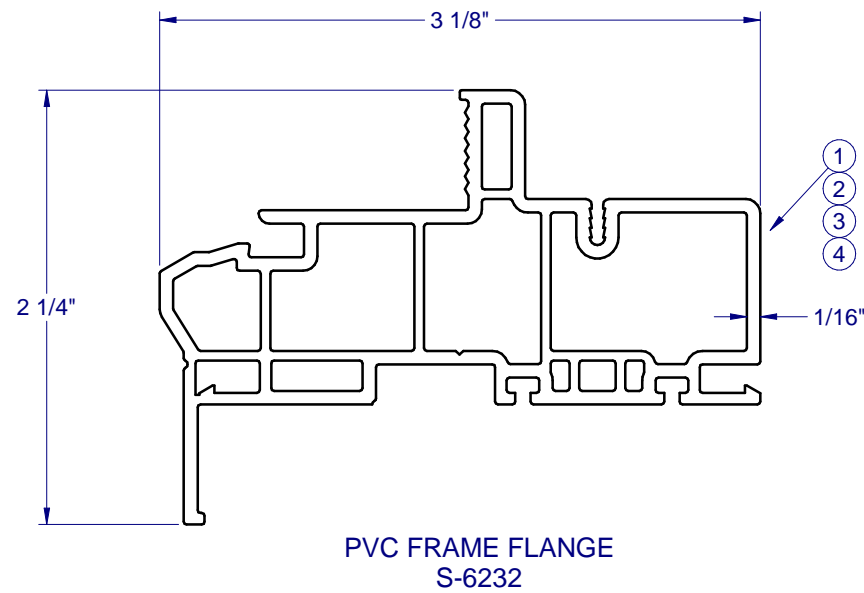
SECTION VIEW C-C  
ALTERNATE FIN FRAME

ITEMS NOT SHOWN FOR CLARITY:  
9, 11-14

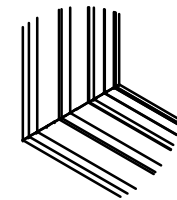
**PARTS LIST**

ITEM	PART #	DESCRIPTION	MATERIAL
1	H-6232	Fr., PW, Main, Head	PVC
2	H-6232	Fr., PW, Main, Sill	PVC
3	H-6232	Fr., PW, Main, L. Jb.	PVC
4	H-6232	Fr., PW, Main, R. Jb.	PVC
5	S-6237	Glz. Bd., Fxd.	PVC
8	S-6233	Trim Cover	PVC
9		Purfect Glaze "H", SikaFlex 552	
10	P-5615	Set. Blk., 85 Dur., 1/8" x 1" x 2" Lg.	Rubber
11	P-3684	PW-8300 Gold Cert. Label, NFRC Tab	
13	P-3881	Temporary Lbl. (NFRC/DP)	
14	P-3613	CWS Lbl. (logo)	
15	GLASS	SEE SHEET 3	
16	H-6232	Fr. Main, PVC, Fin	PVC

LINE ITEMS NOT USED:  
6-7, 12



**FRAME CORNER CONSTRUCTION**



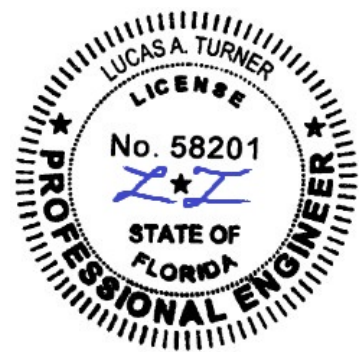
CORNER WELD  
(ALL SIDES)  
1:8



1900 SW 44TH AVE.  
OCALA, FLORIDA 34474  
WWW.CWS.CC

**8300 PVC PICTURE WINDOW NON-IMPACT**

**PROPRIETARY AND CONFIDENTIAL**  
THE INFORMATION CONTAINED IN THIS DRAWING IS THE SOLE PROPERTY OF CUSTOM WINDOW SYSTEMS, INC. ANY REPRODUCTION IN PART OR AS A WHOLE WITHOUT THE WRITTEN PERMISSION OF CUSTOM WINDOW SYSTEMS, INC IS PROHIBITED.



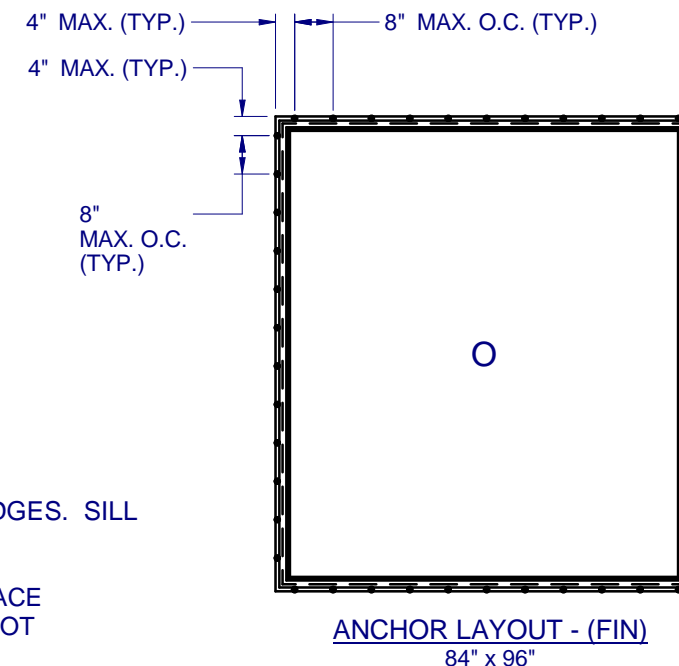
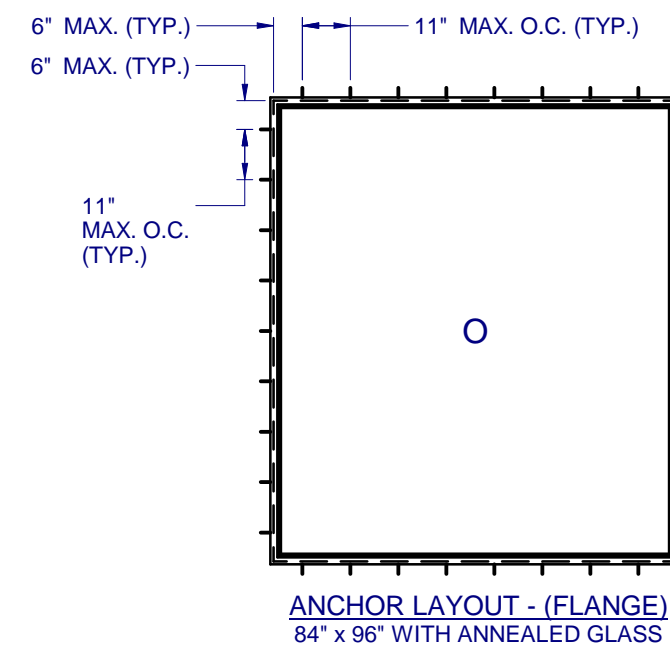
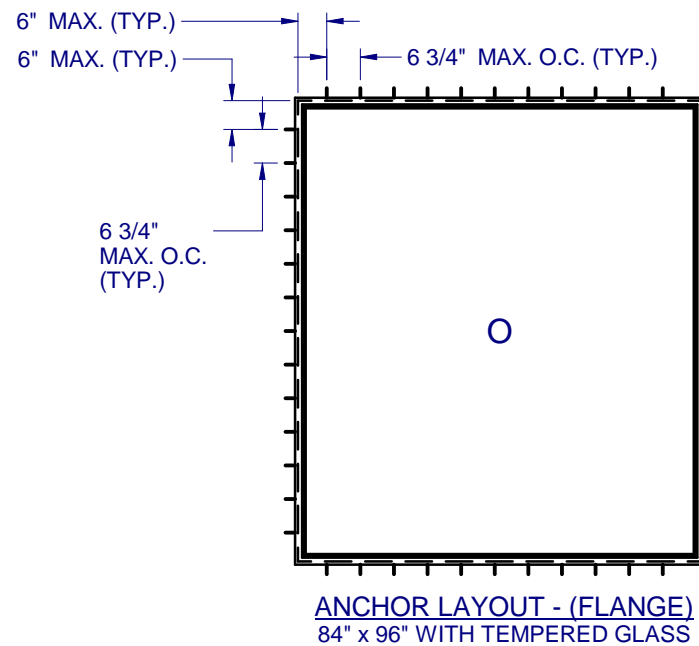
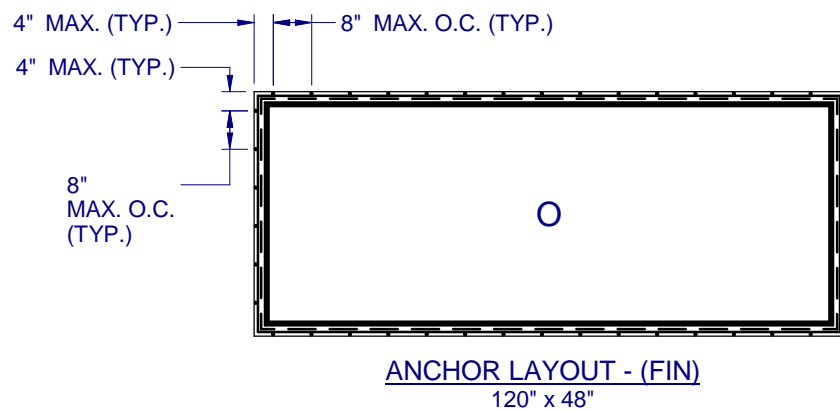
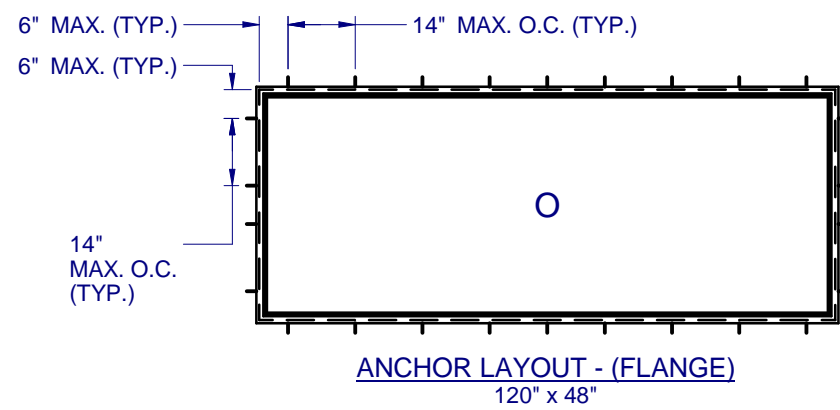
8/05/2020

LUCAS A. TURNER, P.E.  
FL PE # 58201  
2428 Old Natchez Trc Trl  
Camden, TN 38320  
PH. 941-380-1574

SHEET DESCRIPTION:

**BOM AND EXTRUSIONS**

DRAWN BY: ADE	DATE: 02/08/09
DWG #: CWS-339	REV.: F
SCALE: 1:1	SHEET 6 OF 8

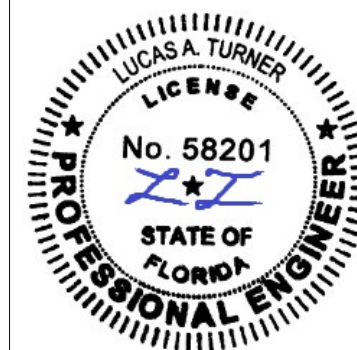


**NOTES:**

1. INSTALL ONE ANCHOR AT EACH INSTALLATION LOCATION. ANCHOR SPACING APPLIES TO ALL SHAPES (SEE SHEET 2) ALONG ALL FRAME EDGES. SILL ANCHOR SPACING SAME AS HEAD.
2. SHIM AS REQ AT EACH INSTALLATION ANCHOR USING LOAD BEARING SHIMS. MAX. ALLOWABLE SHIM STACK TO BE 1/4". USE SHIMS WHERE SPACE GREATER THAN 1/16" IS PRESENT. LOAD BEARING SHIMS SHALL BE CONSTRUCTED OF HIGH DENSITY PLASTIC OR BETTER. WOOD SHIMS ARE NOT ALLOWED.
3. ANCHOR TYPE, SIZE, SPACING AND EMBEDMENT SHALL BE AS SPECIFIED IN THESE DRAWINGS, SEE TABLE 1, SHEET 8.
4. ALL INSTALLATION ANCHORS MUST BE MADE OF OR PROTECTED WITH A CORROSION RESISTANT MATERIAL OR COATING. DISSIMILAR METALS OR MATERIALS IN CONTACT WITH PRESSURE TREATED WOOD MUST BE PROTECTED TO PREVENT REACTION.
5. INSTALLATION ANCHORS SHALL BE IN ACCORDANCE WITH ANCHOR MANUFACTURER'S INSTALLATION INSTRUCTIONS, AND ANCHORS SHALL NOT BE USED IN SUBSTRATES WITH STRENGTHS LESS THAN THE MINIMUM SPECIFIED IN TABLE 1, SHEET 8.
6. ANCHOR EMBEDMENT TO SUBSTRATE SHALL BE BEYOND WALL DRESSING OR STUCCO. FOR CONCRETE/CMU OPENINGS, EMBEDMENT SHALL BE BEYOND WOOD BUCKS, IF USED, INTO SUBSTRATE - 1X BUCKS ARE OPTIONAL.
7. A MINIMUM CENTER-TO-CENTER SPACING SHALL BE MAINTAINED BETWEEN ALL FASTENERS: 3" FOR MASONRY, 1" FOR WOOD AND METAL.
8. WOOD OR MASONRY OPENINGS, BUCKS AND BUCK FASTENERS SHALL BE PROPERLY DESIGNED BY THE ARCHITECT OR ENGINEER OF RECORD AND INSTALLED TO TRANSFER WIND LOADS TO THE STRUCTURE. SUBSTRATES SHALL MEET THE MINIMUM STRENGTH REQUIREMENTS AS SHOWN IN TABLE 1, SHEET 8. CONCRETE AND MASONRY SUBSTRATES MAY NOT BE CRACKED.
9. SEALING AND FLASHING STRATEGIES FOR OVERALL WATER RESISTANCE OF INSTALLATION SHALL BE DONE BY OTHERS FOLLOWING THE CURRENT VERSION OF THE REFERENCE DOCUMENTS: FMA/AAMA 100(FIN WINDOWS), FMA/AAMA 200(FLANGE WINDOWS), FMA/WDMA 250(BOX WINDOWS), FMA/AAMA/WDMA 300(EXTERIOR DOORS)

**8300 PVC  
PICTURE WINDOW  
NON-IMPACT**

**PROPRIETARY AND CONFIDENTIAL**  
THE INFORMATION CONTAINED IN THIS DRAWING IS THE SOLE PROPERTY OF CUSTOM WINDOW SYSTEMS, INC. ANY REPRODUCTION IN PART OR AS A WHOLE WITHOUT THE WRITTEN PERMISSION OF CUSTOM WINDOW SYSTEMS, INC IS PROHIBITED.



8/05/2020

LUCAS A. TURNER, P.E.  
FL PE # 58201  
2428 Old Natchez Trc Trl  
Camden, TN 38320  
PH. 941-380-1574

SHEET DESCRIPTION:  
**ANCHOR SCHEDULE AND NOTES**

DRAWN BY: ADE	DATE: 02/08/09
DWG #: CWS-339	REV.: F
SCALE: 1:40	SHEET 7 OF 8

**8300 PVC  
PICTURE WINDOW  
NON-IMPACT**

**PROPRIETARY AND CONFIDENTIAL**  
THE INFORMATION CONTAINED IN THIS DRAWING IS THE SOLE PROPERTY OF CUSTOM WINDOW SYSTEMS, INC. ANY REPRODUCTION IN PART OR AS A WHOLE WITHOUT THE WRITTEN PERMISSION OF CUSTOM WINDOW SYSTEMS, INC IS PROHIBITED.



8/05/2020

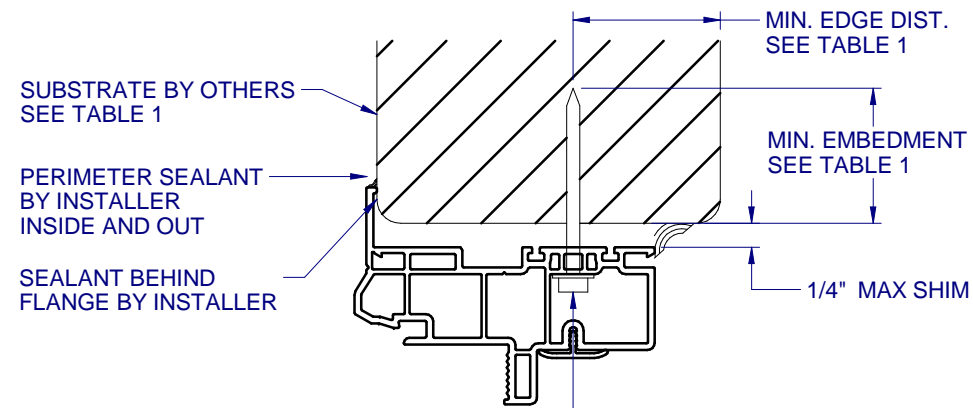
LUCAS A. TURNER, P.E.  
FL PE # 58201  
2428 Old Natchez Trc Trl  
Camden, TN 38320  
PH. 941-380-1574

SHEET DESCRIPTION:

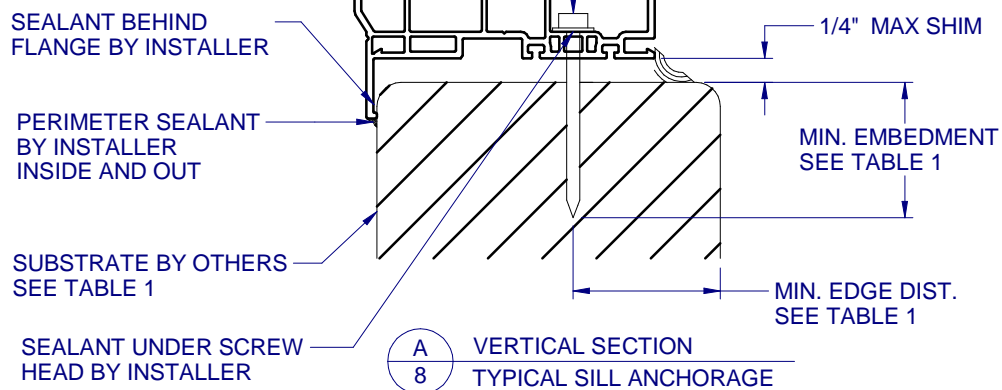
**INSTALLATION DETAILS**

DRAWN BY:	DATE:
ADE	02/08/09
DWG #:	REV.:
CWS-339	F
SCALE:	SHEET
1:2	8 OF 8

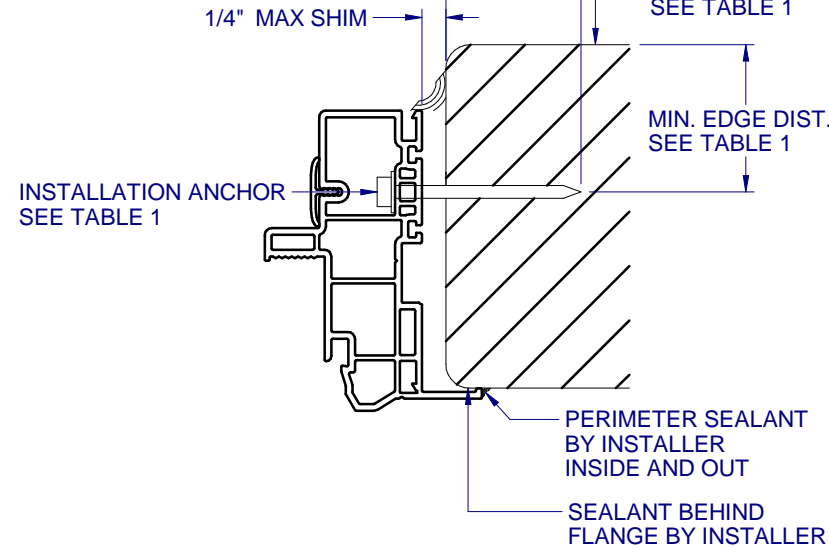
**TYPICAL HEAD ANCHORAGE**



INSTALLATION ANCHOR SEE TABLE 1

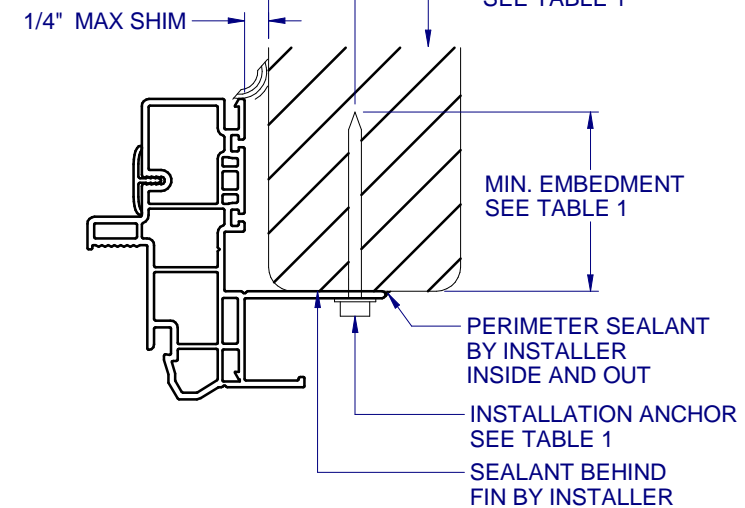


MIN. EMBEDMENT SEE TABLE 1

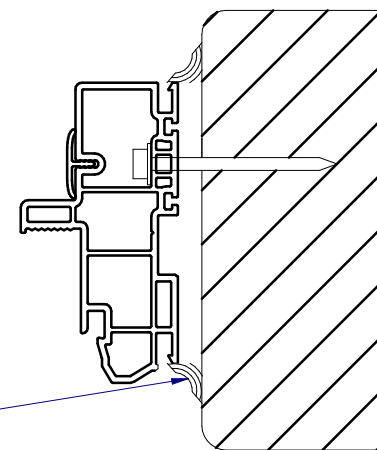


(B) 8 HORIZONTAL SECTION TYPICAL JAMB ANCHORAGE

MIN. EDGE DIST. SEE TABLE 1



(C) 8 HORIZONTAL SECTION TYPICAL FIN ANCHORAGE HEAD AND SILL SIMILAR FOR FIN INSTALLATION



(D) 8 HORIZONTAL SECTION BOX FRAME INSTALLATION HEAD AND SILL SIMILAR FOR BOX INSTALLATION

FLANGE REMOVAL NOTE: PARTIALLY OR FULLY REMOVING THE FLANGE, UP TO AND INCLUDING A BOX-FRAME APPLICATION IS ACCEPTABLE PROVIDED:

- MIN. 1/4" FILLET OF CONSTRUCTION-GRADE ADHESIVE CAULK IS APPLIED INSIDE AND OUT, FULL PERIMETER, BY INSTALLER.
- PRODUCT ANCHORAGE IS IN ACCORDANCE WITH REQUIREMENTS AS SHOWN FOR FLANGE WINDOWS.

**TABLE 1: APPROVED INSTALLATION FASTENERS**

FRAME TYPE	SUBSTRATE TYPE	ANCHOR TYPE	MIN. EMBEDMENT	MIN. EDGE DIST.
FLANGE	CONCRETE (2.0 KSI MIN.)	3/16" ITW TAPCON	1-1/2"	1-1/8"
FLANGE	HOLLOW OR GROUT-FILLED CMU (117 PCF MIN.)	3/16" ITW TAPCON	1"	2"
FLANGE	CONCRETE (2.85 KSI MIN.)	3/16" ELCO ULTRACON	1"	1"
FLANGE	GROUT-FILLED CMU (ASTM C-90)	3/16" ELCO ULTRACON	1-1/4"	2-1/2"
FLANGE	2X MIN. SOUTHERN PINE (G=0.55)	3/16" ITW TAPCON OR ELCO ULTRACON	1-3/8"	7/8"
FLANGE	2X MIN. SOUTHERN PINE (G=0.55)	#10 WOOD SCREW	1-3/8"	7/8"
FLANGE	16 GAUGE (0.060") MIN. STEEL STUD (33 KSI YIELD MIN)	#10-16 HILTI KWIK-FLEX OR ITW TEKS SELF-DRILLING SCREW	FULL THREAD THRU 0.060"	7/16"
FLANGE	1/8" ALUM. (6063-T5 MIN.) OR 1/8" STEEL (33 KSI MIN.)	#10 GRADE 5 SELF-TAPPING / DRILLING SCREW	FULL THREAD THRU 0.125"	7/16"
FIN	2X MIN. SOUTHERN PINE (G=0.55)	#10 WOOD SCREW	1-1/2"	1/2"