

VistaView Aluminum Fixed Window

DESIGN LOAD RATINGS FOR THESE WINDOWS TO BE AS PER CHARTS SHOWN ON SHEET 2.

APPROVAL APPLIES TO SINGLE UNITS OR SIDE BY SIDE COMBINATIONS OF FIX./FIX. OR FIXED WITH OTHER WINDOW TYPES IN MODULES OF TWO OR MORE WINDOWS USING F.B.C. APPROVED MULLIONS IN BETWEEN.

LOWER DESIGN PRESSURE FROM WINDOWS OR MULLION APPROVAL WILL APPLY TO ENTIRE SYSTEM.

THIS PRODUCT HAS BEEN DESIGNED AND TESTED TO COMPLY WITH THE REQUIREMENTS OF THE 2020 (7TH EDITION) FLORIDA BUILDING CODE INCLUDING HIGH VELOCITY HURRICANE ZONE (HVHZ).

1BY OR 2BY WOOD BUCKS & BUCK FASTENERS BY OTHERS, MUST BE DESIGNED AND INSTALLED ADEQUATELY TO TRANSFER APPLIED PRODUCT LOADS TO THE BUILDING STRUCTURE.

ANCHORS SHALL BE CORROSION RESISTANT, SPACED AS SHOWN ON DETAILS AND INSTALLED PER MANUF'S INSTRUCTIONS. SPECIFIED EMBEDMENT TO BASE MATERIAL SHALL BE BEYOND WALL DRESSING OR STUCCO.

A LOAD DURATION INCREASE IS USED IN DESIGN OF ANCHORS INTO WOOD ONLY.

ALL SHIMS TO BE HIGH IMPACT, NON-METALLIC AND NON-COMPRESSIBLE.

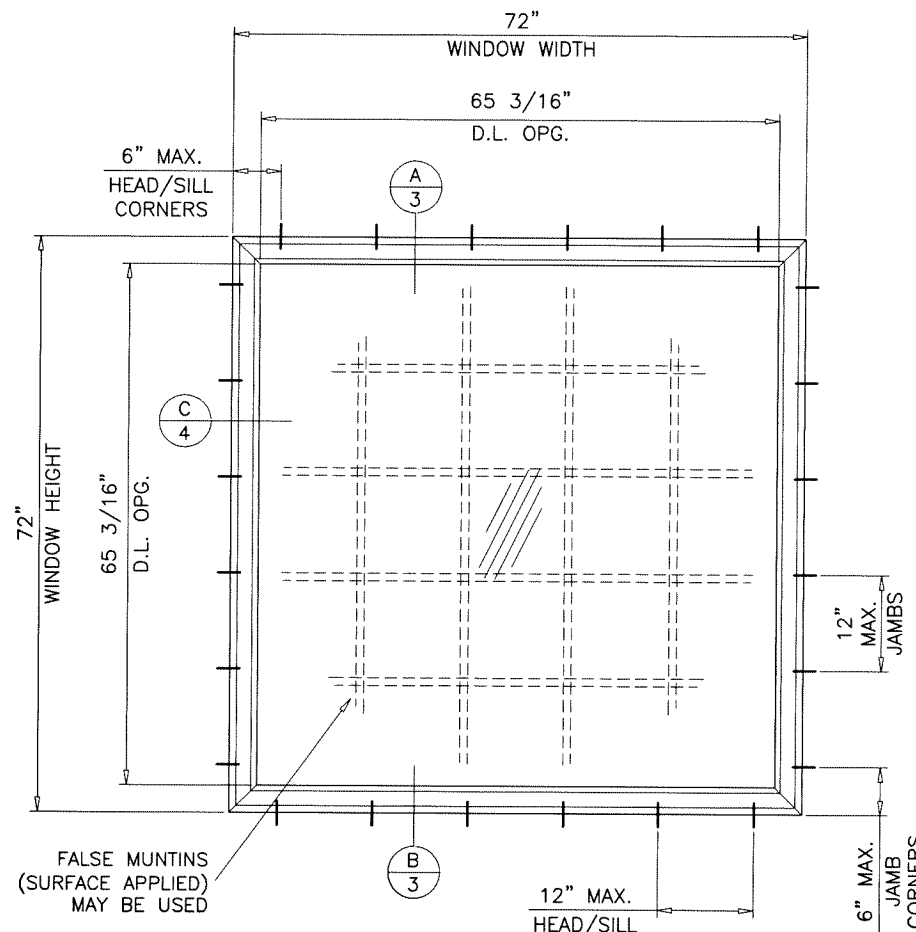
MATERIALS INCLUDING BUT NOT LIMITED TO STEEL/METAL SCREWS, THAT COME INTO CONTACT WITH OTHER DISSIMILAR MATERIALS SHALL MEET THE REQUIREMENTS OF THE 2020 FLORIDA BLDG. CODE & ADOPTED STANDARDS.

THIS PRODUCT APPROVAL IS GENERIC AND DOES NOT PROVIDE INFORMATION FOR A SITE SPECIFIC PROJECT, i.e. LIFE SAFETY OF THIS PRODUCT, ADEQUACY OF STRUCTURE RECEIVING THIS PRODUCT AND SEALING AROUND OPENING FOR WATER INFILTRATION RESISTANCE ETC.

CONDITIONS NOT SHOWN IN THIS DRAWING ARE TO BE ANALYZED SEPARATELY, AND TO BE REVIEWED BY BUILDING OFFICIAL.

DESIGN LOADS SHOWN ARE BASED ON 'ALLOWABLE STRESS DESIGN (ASD)'. MANUFACTURER'S LABEL SHALL BE LOCATED ON A READILY VISIBLE LOCATION IN ACCORDANCE WITH SECTION 1709.9.3 OF FLORIDA BUILDING CODE.

LABELING TO COMPLY WITH SECTION 1709.9.2.



TYPICAL ELEVATION
(TESTED UNITS)

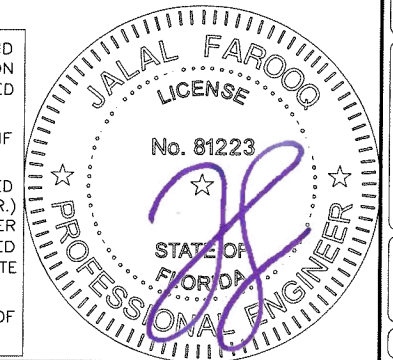
DAYLITE OPENINGS:
D.L.O. HEIGHT = WINDOW HEIGHT - 6.813"
D.L.O. WIDTH = WINDOW WIDTH - 6.813"

WINDOWS COMPLY WITH REQUIREMENTS OF ANSI Z97.1.

THESE WINDOWS ARE RATED FOR LARGE & SMALL MISSILE IMPACT. SHUTTERS ARE NOT REQUIRED.

Sealed: 2/9/2023 FL #41347

- A- CONTRACTOR TO BE RESPONSIBLE FOR THE SELECTION, PURCHASE AND INSTALLATION OF THIS PRODUCT BASED ON THIS PRODUCT EVALUATION PROVIDED HE/SHE DOES NOT DEVIATE FROM THE CONDITIONS DETAILED ON THIS DOCUMENT.
- B- THIS PRODUCT EVALUATION DOCUMENT WILL BE CONSIDERED INVALID IF ALTERED BY ANY MEANS.
- C- SITE SPECIFIC PROJECTS SHALL BE PREPARED BY A FLORIDA REGISTERED ENGINEER OR ARCHITECT WHICH WILL BECOME THE ENGINEER OF RECORD (E.O.R.) FOR THE PROJECT AND WHO WILL BE RESPONSIBLE FOR THE PROPER USE OF THE P.E.D. ENGINEER OF RECORD, ACTING AS A DELEGATED ENGINEER TO THE P.E.D. ENGINEER SHALL SUBMIT TO THIS LATTER THE SITE SPECIFIC DRAWINGS FOR REVIEW.
- D- THIS P.E.D. SHALL BEAR THE DATE AND ORIGINAL SEAL AND SIGNATURE OF THE PROFESSIONAL ENGINEER OF RECORD THAT PREPARED IT.



AL-FAROOQ CORPORATION
ENGINEERS & PRODUCT DEVELOPMENT
9360 SUNSET DRIVE, SUITE 220
MIAMI, FLORIDA 33173
TEL. (305) 264-8100
WWW.AFCENG.COM
FBPE #8538
COMP-ANL\22-34F-AAG

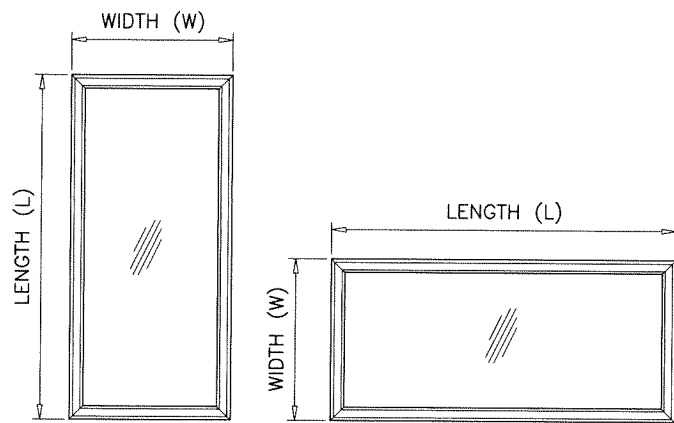
VistaView Aluminum Fixed Window (L.M.I.)
Aldora Aluminum & Glass Products Inc.
4250 Coral Ridge Drive, Suite 101
Coral Springs, FL. 33065
Tel. (954) 784-6900 Fax. (954) 784-6901

revisions:	no	date	by	description
	A	02.08.23		INSUL. GLASS ADDED
date:	09-15-22			
scale:	1/2"=1'-0"			
dr. by:	TARIQ			
chk. by:				
drawing no.	22-34F			
sheet	1 of 5			

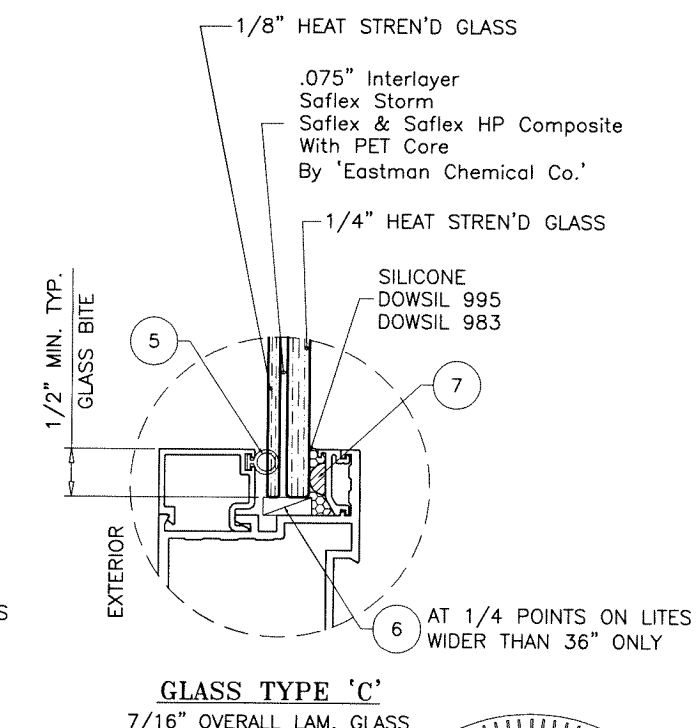
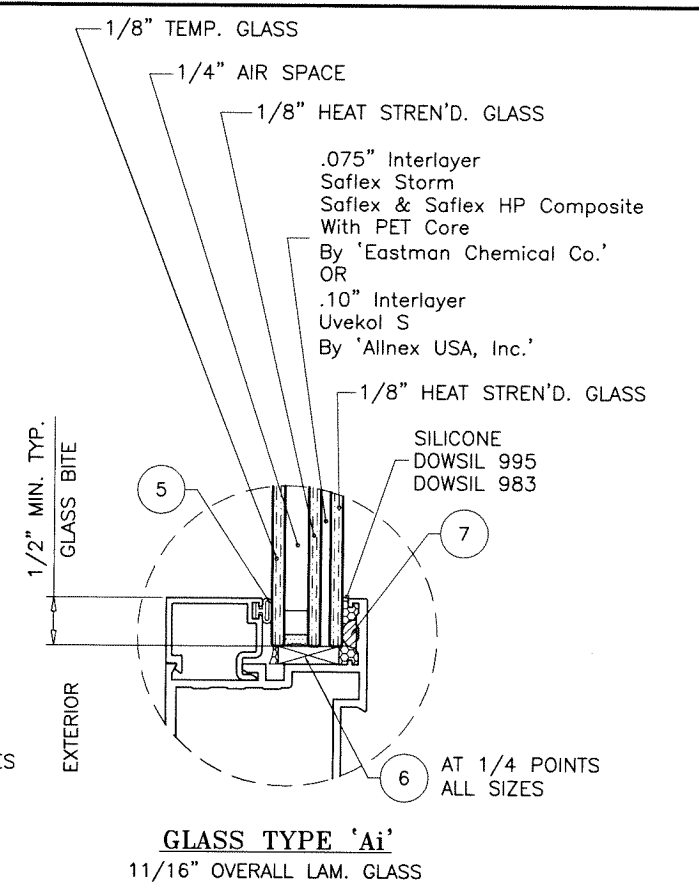
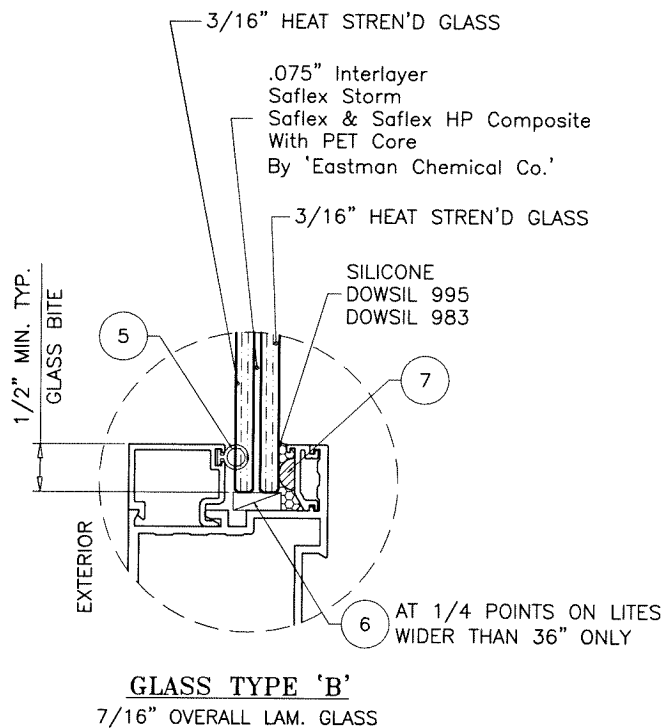
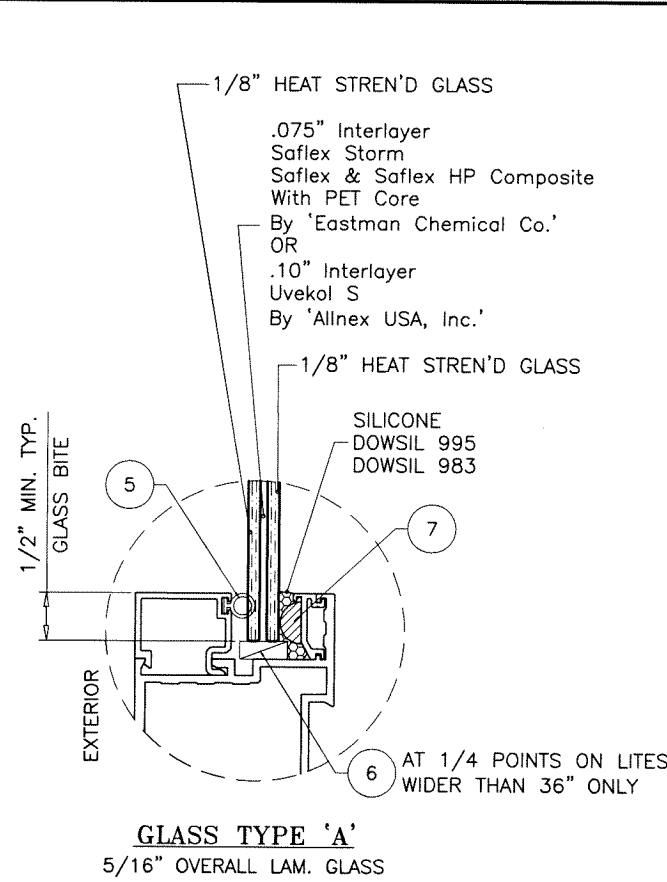
DESIGN LOAD CAPACITY - PSF			
FRAME DIMS.		GLASS TYPE 'A' & 'Ai'	
WIDTH	HEIGHT	EXT.(+)	INT.(-)
24"	48"	80.0	85.0
30"		80.0	85.0
36"		80.0	85.0
42"		70.5	74.9
48"		61.7	65.5
54"	61.7	65.5	
24"	54"	80.0	85.0
30"		80.0	85.0
36"		80.0	85.0
42"		70.5	74.9
48"		61.7	65.5
24"	66"	80.0	85.0
30"		80.0	85.0
36"		80.0	85.0
42"		70.5	74.9
48"		61.7	65.5
24"	78"	80.0	85.0
30"		80.0	85.0
36"		80.0	85.0
42"		70.5	74.9
48"		61.7	65.5
24"	90"	80.0	85.0
30"		80.0	85.0
36"		80.0	85.0
24"	96"	80.0	85.0
30"		80.0	85.0

DESIGN LOAD CAPACITY - PSF			
FRAME DIMS.		GLASS TYPES 'B' & 'C'	
WIDTH	HEIGHT	EXT.(+)	INT.(-)
24"	72"	80.0	85.0
30"		80.0	85.0
36"		80.0	85.0
42"		80.0	85.0
48"		80.0	85.0
54"		80.0	85.0
60"		80.0	85.0
66"	80.0	85.0	
72"	80.0	85.0	
24"	78"	80.0	85.0
30"		80.0	85.0
36"		80.0	85.0
42"		80.0	85.0
48"		80.0	85.0
54"		80.0	85.0
60"		78.0	82.9
66"	75.6	80.4	
24"	84"	80.0	85.0
30"		80.0	85.0
36"		80.0	85.0
42"		80.0	85.0
48"		80.0	85.0
54"		78.6	83.5
60"		74.7	79.3
24"	90"	80.0	85.0
30"		80.0	85.0
36"		80.0	85.0
42"		80.0	85.0
48"		80.0	85.0
54"	76.2	81.0	
24"	96"	80.0	85.0
30"		80.0	85.0
36"		80.0	85.0
42"		80.0	85.0
48"		80.0	85.0
54"	74.2	78.8	

DESIGN LOAD CAPACITY - PSF					
FRAME DIMS.		GLASS TYPE 'A' & 'Ai'		GLASS TYPES 'B' & 'C'	
WIDTH	HEIGHT	EXT.(+)	INT.(-)	EXT.(+)	INT.(-)
19-1/8"	26"	80.0	85.0	80.0	85.0
26-1/2"		80.0	85.0	80.0	85.0
37"		80.0	85.0	80.0	85.0
53-1/8"	80.0	85.0	80.0	85.0	
19-1/8"	38-3/8"	80.0	85.0	80.0	85.0
26-1/2"		80.0	85.0	80.0	85.0
37"		80.0	85.0	80.0	85.0
53-1/8"	77.1	82.0	80.0	85.0	
19-1/8"	50-5/8"	80.0	85.0	80.0	85.0
26-1/2"		80.0	85.0	80.0	85.0
37"		80.0	85.0	80.0	85.0
53-1/8"	58.5	62.1	80.0	85.0	
19-1/8"	56"	80.0	85.0	80.0	85.0
26-1/2"		80.0	85.0	80.0	85.0
37"		80.0	85.0	80.0	85.0
53-1/8"	-	-	80.0	85.0	
19-1/8"	63"	80.0	85.0	80.0	85.0
26-1/2"		80.0	85.0	80.0	85.0
37"		80.0	85.0	80.0	85.0
53-1/8"	-	-	80.0	85.0	
19-1/8"	72"	80.0	85.0	80.0	85.0
26-1/2"		80.0	85.0	80.0	85.0
37"		80.0	85.0	80.0	85.0
53-1/8"	-	-	80.0	85.0	
19-1/8"	76"	80.0	85.0	80.0	85.0
26-1/2"		80.0	85.0	80.0	85.0
37"		80.0	85.0	80.0	85.0
53-1/8"	-	-	80.0	85.0	



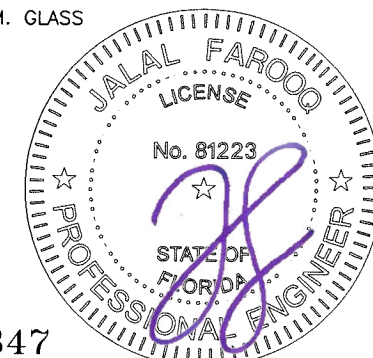
NOTE:
WIDTH AND LENGTH DIMENSIONS CAN BE ORIENTED VERTICALLY OR HORIZONTALLY AS SHOWN ABOVE.



NOTE:
GLASS CAPACITIES ON THIS SHEET ARE BASED ON ASTM E1300-09 (3 SEC. GUSTS).

Sealed: 2/9/2023

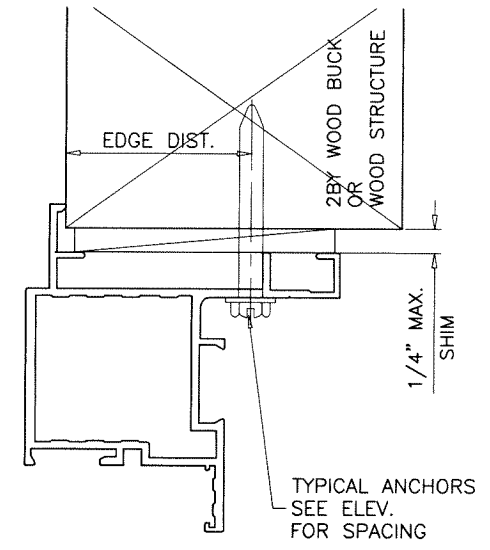
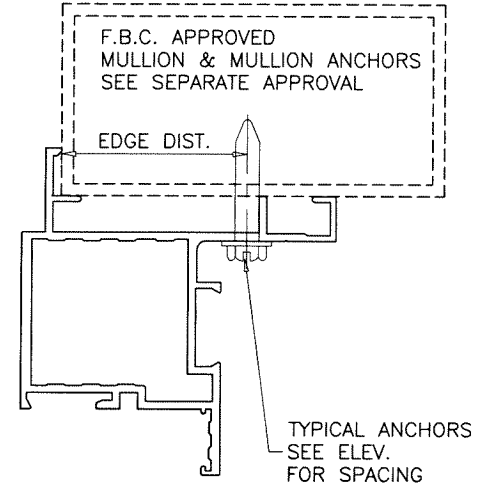
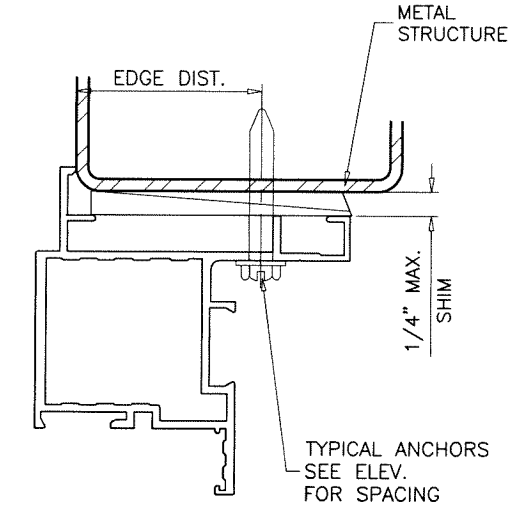
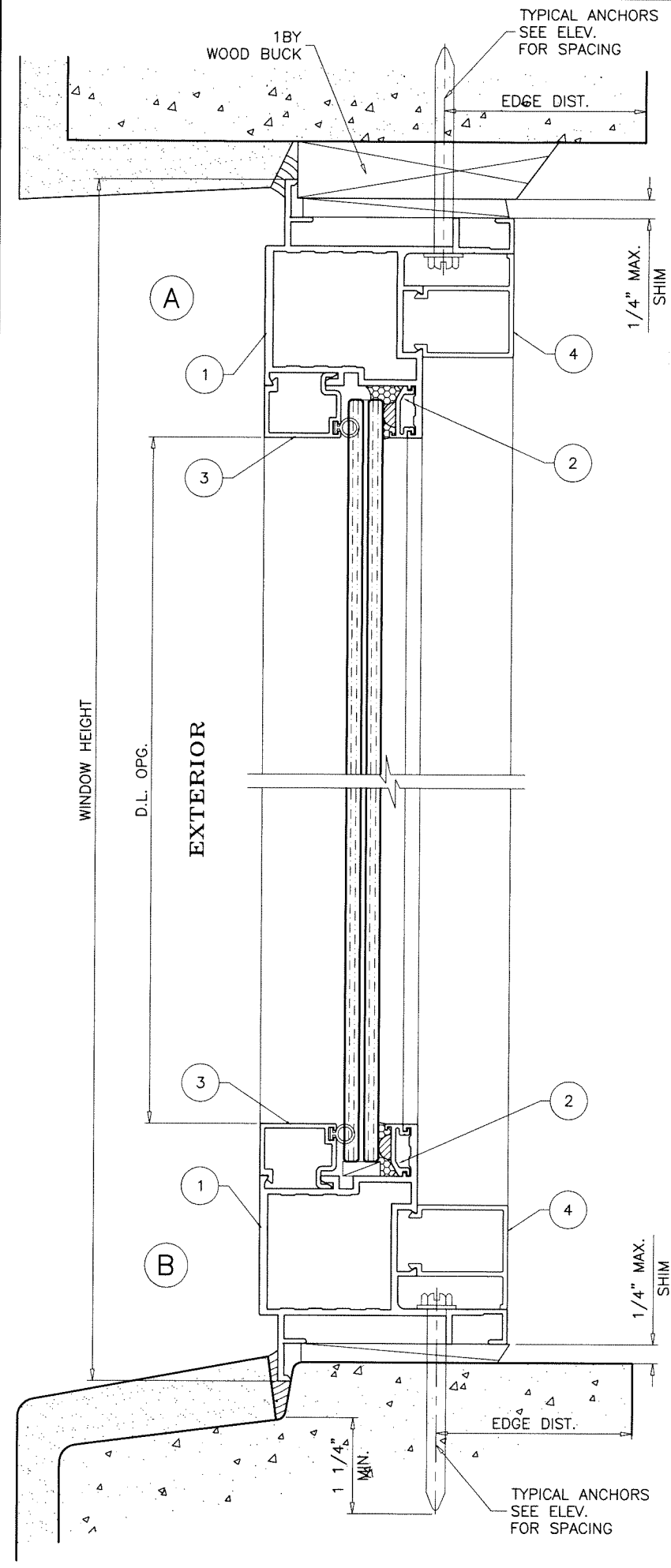
FL #41347



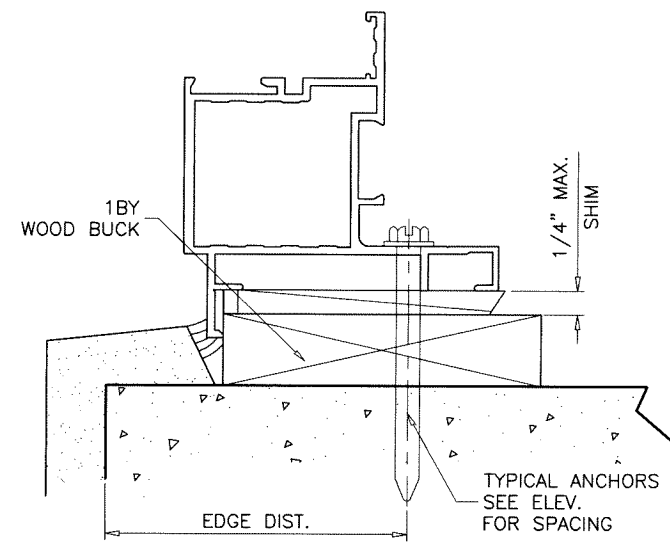
afC
AL-FAROOQ CORPORATION
ENGINEERS & PRODUCT DEVELOPMENT
9360 SUNSET DRIVE, SUITE 220
MIAMI, FLORIDA 33173
TEL. (305) 264-8100
WWW.AFCENG.COM
COMP-ANL \22-34F-AAG
FBPE #3538

VistaView Aluminum Fixed Window (L.M.I.)
Aldora Aluminum & Glass Products Inc.
4250 Coral Ridge Drive, Suite 101
Coral Springs, FL. 33065
Tel. (954) 784-6900 Fax. (954) 784-6901

revisions:	no.	date	by	description
date:	09-15-22	scale:	1/2" = 1"	
dr. by:	TARIQ	chk. by:		
drawing no.	22-34F			
sheet	2 of 5			

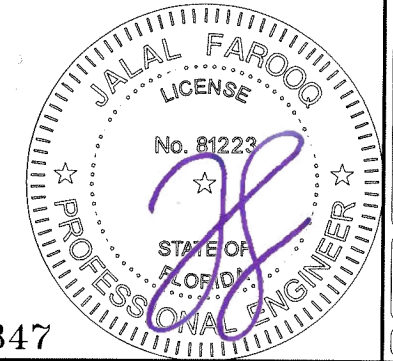


WOOD BUCKS AND METAL STRUCTURE NOT BY 'ALDORA ALUMINUM AND GLASS PRODUCTS' MUST SUSTAIN LOADS IMPOSED BY GLAZING SYSTEM AND TRANSFER THEM TO THE BUILDING STRUCTURE.



TYPICAL ANCHORS: SEE ELEV. FOR SPACING
1/4" DIA. ULTRACON+ BY 'DEWALT' (Fu=164 KSI, Fy=148 KSI)
 INTO 2BY WOOD BUCKS OR WOOD STRUCTURES
 1-1/2" MIN. PENETRATION INTO WOOD (HEAD/SILL/JAMBS)
 THRU 1BY BUCKS INTO CONC. OR BLOCKS
 1-1/4" MIN. EMBED INTO CONCRETE (HEAD/SILL/JAMBS)
 1-1/4" MIN. EMBED INTO BLOCKS (JAMBS)
 DIRECTLY INTO CONCRETE OR BLOCKS
 1-1/4" MIN. EMBED INTO CONCRETE (HEAD/SILL/JAMBS)
 1-1/4" MIN. EMBED INTO BLOCKS (JAMBS)
#14 SMS OR SELF DRILLING SCREWS (GRADE 2 CRS)
 INTO F.B.C. APPROVED MULLIONS
 OR
 INTO METAL STRUCTURES (HEAD/SILL/JAMBS)
 (3) THREADS MIN. TO EXTEND BEYOND METAL THICKNESS
 ALUMINUM: 1/8" THK. MIN. (6063-T5 MIN.)
 STEEL: 1/8" THK. MIN. (Fy = 36 KSI MIN.)
 (STEEL IN CONTACT WITH ALUMINUM TO BE PLATED OR PAINTED)
TYPICAL EDGE DISTANCE
 INTO CONCRETE AND BLOCKS = 2-1/2" MIN.
 INTO WOOD STRUCTURE = 1" MIN.
 INTO METAL STRUCTURE = 3/4" MIN.
 WOOD AT HEAD, SILL OR JAMBS SG = 0.55 MIN.
 CONCRETE AT HEAD, SILL OR JAMBS f'c = 3000 PSI MIN.
 C-90 HOLLOW/FILLED BLOCK AT JAMBS f'm = 2000 PSI MIN.

Sealed: 2/9/2023



FL #41347

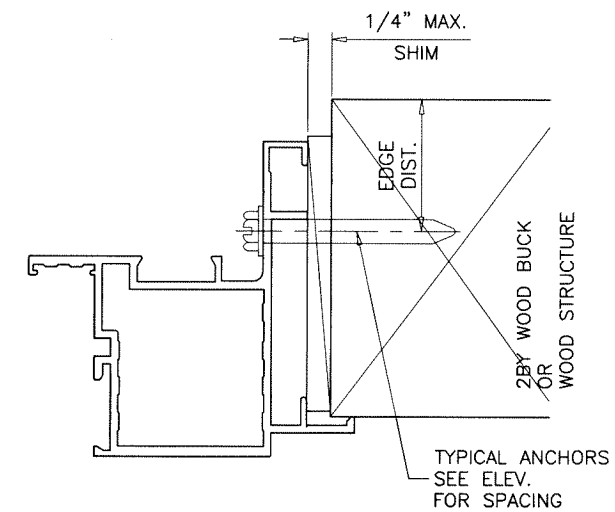
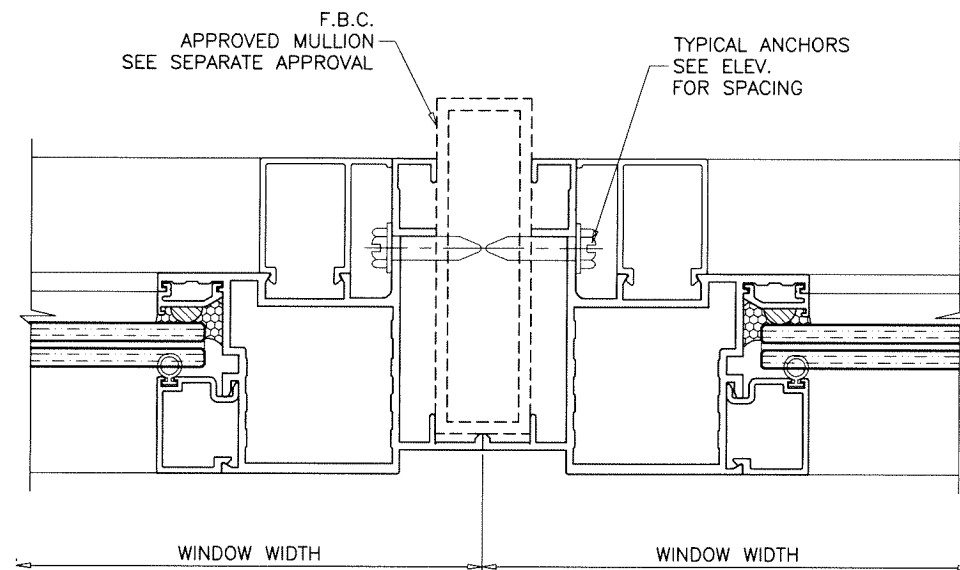
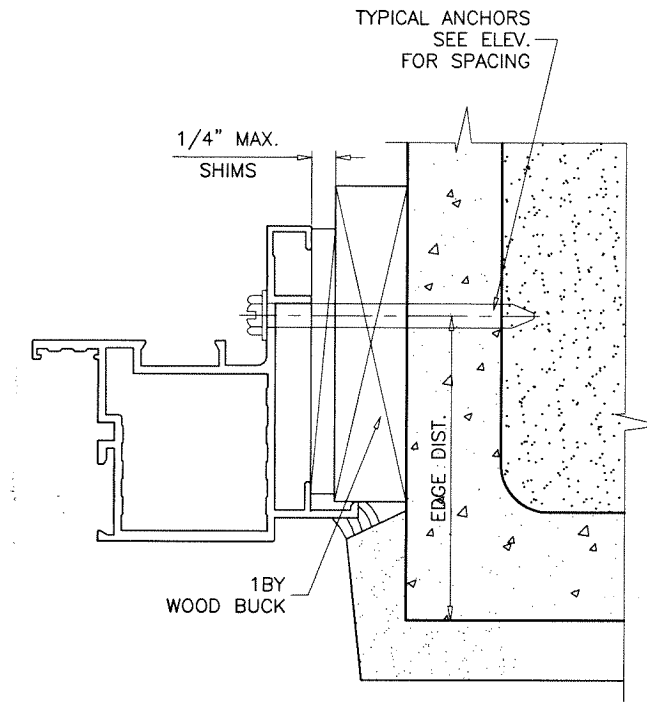
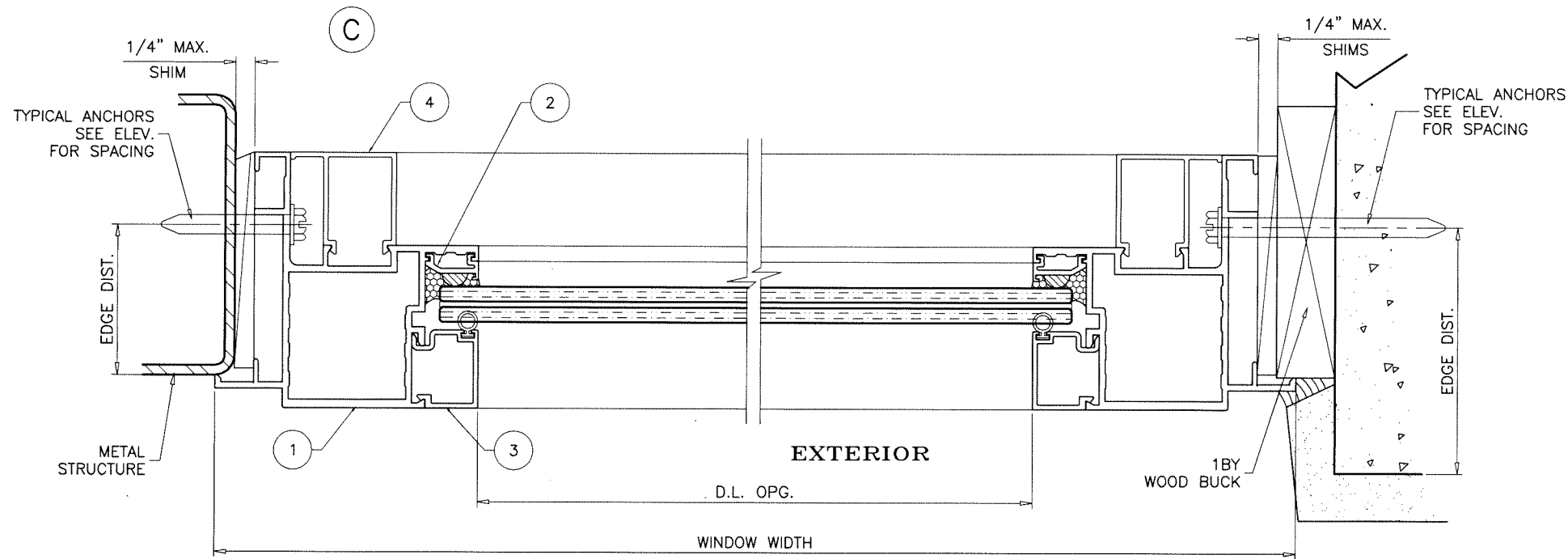
AL-FAROOQ CORPORATION
 ENGINEERS & PRODUCT DEVELOPMENT
 9360 SUNSET DRIVE, SUITE 220
 MIAMI, FLORIDA 33173
 TEL. (305) 264-8100 WWW.AFCENG.COM
 FBPE #8538 COMP-ANL\22-34F-AAG

VistaView Aluminum Fixed Window (L.M.I.)
Aldora Aluminum & Glass Products Inc.
 4250 Coral Ridge Drive, Suite 101
 Coral Springs, FL 33065
 Tel. (954) 784-6900 Fax. (954) 784-6901

revisions:	no	date	by	description

date: 09-15-22
 scale: 1/2" = 1"
 dr. by: TARIQ
 chk. by:

drawing no.
22-34F
 sheet 3 of 5



afc

AL-FAROOQ CORPORATION
 ENGINEERS & PRODUCT DEVELOPMENT
 9360 SUNSET DRIVE, SUITE 220
 MIAMI, FLORIDA 33173
 TEL. (305) 264-8100
 WWW.AFCENG.COM
 FBPE #3538
 COMP-ANL\22-34F-AAG

VistaView Aluminum Fixed Window (L.M.I.)
Aldora Aluminum & Glass Products Inc.
 4250 Coral Ridge Drive, Suite 101
 Coral Springs, FL 33065
 Tel. (954) 784-6900 Fax. (954) 784-6901

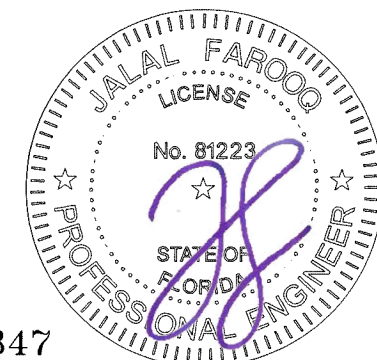
revisions:	no	date	by	description

date: 09-15-22
 scale: 1/2" = 1"
 dr. by: TARIQ
 chk. by:

drawing no.
22-34F

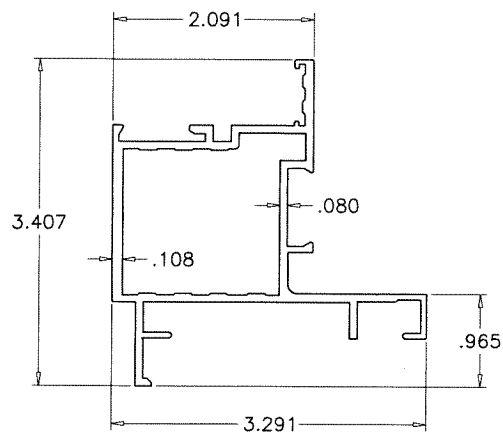
sheet 4 of 5

Sealed: 2/9/2023

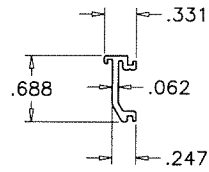


FL #41347

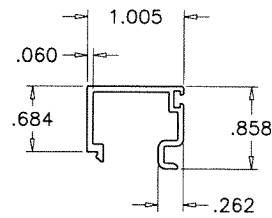
ITEM	PART #	QUANTITY	DESCRIPTION	MATERIAL	MANF./SUPPLIER/REMARKS
1	SMI-835	4	WINDOW FRAME	6063-T6	-
2	SMI-822	4	GLAZING INSERT	6063-T5	-
3	SMI-827	4	GLAZING BEAD	6063-T6	-
4	SMI-834	4	SCREW COVER	6063-T6	-
5	SMI-B02	AS REQD.	GLAZING GASKET	-	MELTPPOINT
6	-	AS REQD.	SETTING BLOCKS AT 1/4 POINTS	EPDM	DUROMETER 80±5 SHORE A
7	MSC-001	AS REQD.	BUMPON SPACER, FLB-51	POLYURETHANE	FRANK LOWE
8	HDW-025	AS REQD.	CORNER KEY	-	MONTICELLI
9	-	-	-	-	-
10	-	-	-	-	-



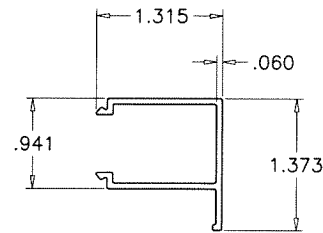
① WINDOW FRAME



② GLAZING INSERT



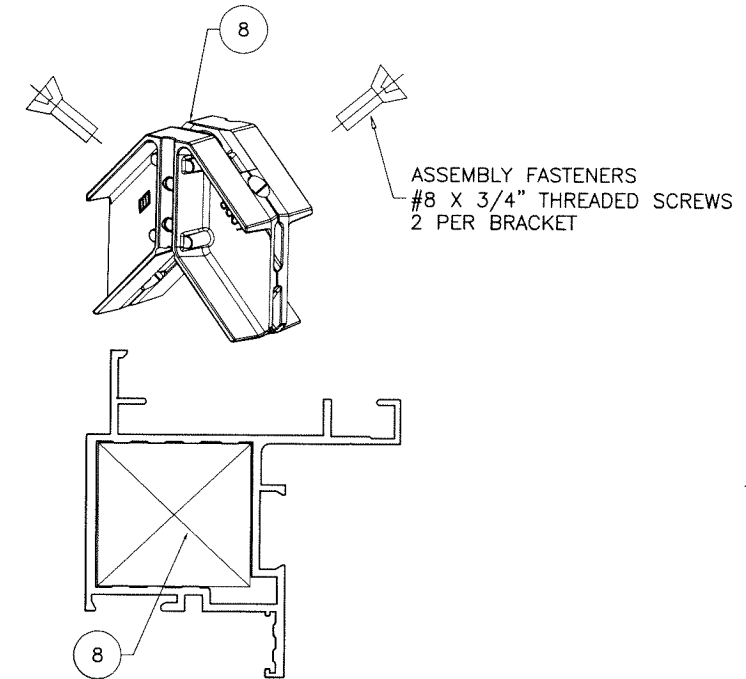
③ GLAZING BEAD



④ SCREW COVER

SEALANT:

ALL JOINTS AND FRAME CONNECTIONS SEALED WITH SILICONE.



AL-FAROQ CORPORATION
 ENGINEERS & PRODUCT DEVELOPMENT
 9360 SUNSET DRIVE, SUITE 220
 MIAMI, FLORIDA 33173
 TEL. (305) 264-8100
 WWW.AFCENG.COM
 FBPE #9538
 COMP-ANL\22-34F-AAG

VistaView Aluminum Fixed Window (L.M.I.)
Aldora Aluminum & Glass Products Inc.
 4250 Coral Ridge Drive, Suite 101
 Coral Springs, FL. 33065
 Tel. (954) 784-6900 Fax. (954) 784-6901

revisions:	no	date	by	description

date: 09-15-22
 scale: 1/2" = 1"
 dr. by: TARIQ
 chk. by:

drawing no.
22-34F
 sheet 5 of 5

Sealed: 2/9/2023

FL #41347

