

REVISIONS			
REV	DESCRIPTION	DATE	APPROVED

NOTES:

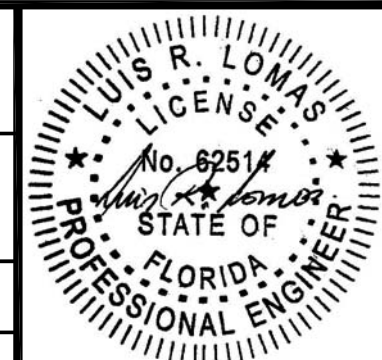
1. THE PRODUCT SHOWN HEREIN IS DESIGNED AND MANUFACTURED TO COMPLY WITH REQUIREMENTS OF THE FLORIDA BUILDING CODE.
2. WOOD FRAMING AND MASONRY OPENING TO BE DESIGNED AND ANCHORED TO PROPERLY TRANSFER ALL LOADS TO STRUCTURE. FRAMING AND MASONRY OPENING IS THE RESPONSIBILITY OF THE ARCHITECT OR ENGINEER OF RECORD.
3. WHERE SHIM OR BUCK THICKNESS IS LESS THAN 1-1/2" UNITS MUST BE ANCHORED THROUGH THE FRAME IN ACCORDANCE WITH MANUFACTURER'S PUBLISHED INSTALLATION INSTRUCTIONS. ANCHORS SHALL BE SECURELY FASTENED DIRECTLY INTO MASONRY, CONCRETE OR OTHER STRUCTURAL SUBSTRATE MATERIAL.
4. WHERE WOOD BUCK THICKNESS IS 1-1/2" OR GREATER, BUCK SHALL BE SECURELY FASTENED TO MASONRY, CONCRETE OR OTHER STRUCTURAL SUBSTRATE. UNITS MAY BE ANCHORED THROUGH FRAME TO SECURED WOOD BUCK IN ACCORDANCE WITH MANUFACTURER'S PUBLISHED INSTALLATION INSTRUCTIONS.
5. WHERE 1X BUCK IS NOT USED DISSIMILAR MATERIALS MUST BE SEPARATED WITH APPROVED COATING OR MEMBRANE. SELECTION OF COATING OR MEMBRANE IS THE RESPONSIBILITY OF THE ARCHITECT OR ENGINEER OF RECORD.
6. BUCKS SHALL EXTEND BEYOND UNIT FRAME INTERIOR FACE SO THAT FULL FRAME SUPPORT IS PROVIDED.
7. FOR FIN INSTALLATION SHIM AS NEEDED. FOR FRAME INSTALLATION SHIM AS REQUIRED AT EACH ANCHOR LOCATION WITH LOAD BEARING SHIM. SHIM WHERE SPACE OF 1/16" OR GREATER OCCURS. MAXIMUM ALLOWABLE SHIM STACK TO BE 1/4".
8. SHIMS SHALL BE LOCATED, APPLIED AND MADE FROM MATERIALS AND THICKNESS CAPABLE OF SUSTAINING APPLICABLE LOADS.
9. WIND LOAD DURATION FACTOR Cd=1.6 WAS USED FOR WOOD ANCHOR CALCULATIONS.
10. FRAME MATERIAL: EXTRUDED RIGID PVC.
11. UNITS MUST BE GLAZED PER ASTM E1300.
12. APPROVED IMPACT PROTECTIVE SYSTEM IS REQUIRED FOR THIS PRODUCT IN WIND BORNE DEBRIS REGIONS.

13. FOR ANCHORING THROUGH FIN INTO WOOD FRAMING OR 2X BUCK USE #8 WOOD SCREWS WITH SUFFICIENT LENGTH TO ACHIEVE A 1 1/4" MINIMUM EMBEDMENT INTO SUBSTRATE. LOCATE ANCHORS AS SHOWN IN ELEVATIONS AND INSTALLATION DETAILS.
16. FOR ANCHORING THROUGH FIN INTO METAL STRUCTURE USE #10 SMS OR SELF DRILLING SCREWS WITH SUFFICIENT LENGTH TO ACHIEVE 3 THREADS MINIMUM BEYOND STRUCTURE INTERIOR WALL. LOCATE ANCHORS AS SHOWN IN ELEVATIONS AND INSTALLATION DETAILS.
17. ALL FASTENERS TO BE CORROSION RESISTANT.
18. INSTALLATION ANCHORS SHALL BE INSTALLED IN ACCORDANCE WITH ANCHOR MANUFACTURER'S INSTALLATION INSTRUCTIONS AND ANCHORS SHALL NOT BE USED IN SUBSTRATES WITH STRENGTHS LESS THAN THE MINIMUM STRENGTH SPECIFIED BELOW:
 - A. WOOD: MINIMUM SPECIFIC GRAVITY OF G=0.42
 - B. METAL STRUCTURE: STEEL 18GA (.048") FY=33KSI/FU=52KSI OR ALUMINUM 6063-T5 FU=30KSI .048" THICK MINIMUM
19. GEOMETRIC SHAPES ARE ALSO APPROVED. APPROVED GEOMETRIC SHAPES DIMENSIONS SHALL NOT EXCEED INSCRIBED DIMENSIONS OF APPROVED RECTANGULAR ASSEMBLY SHOWN IN SHEET 2.

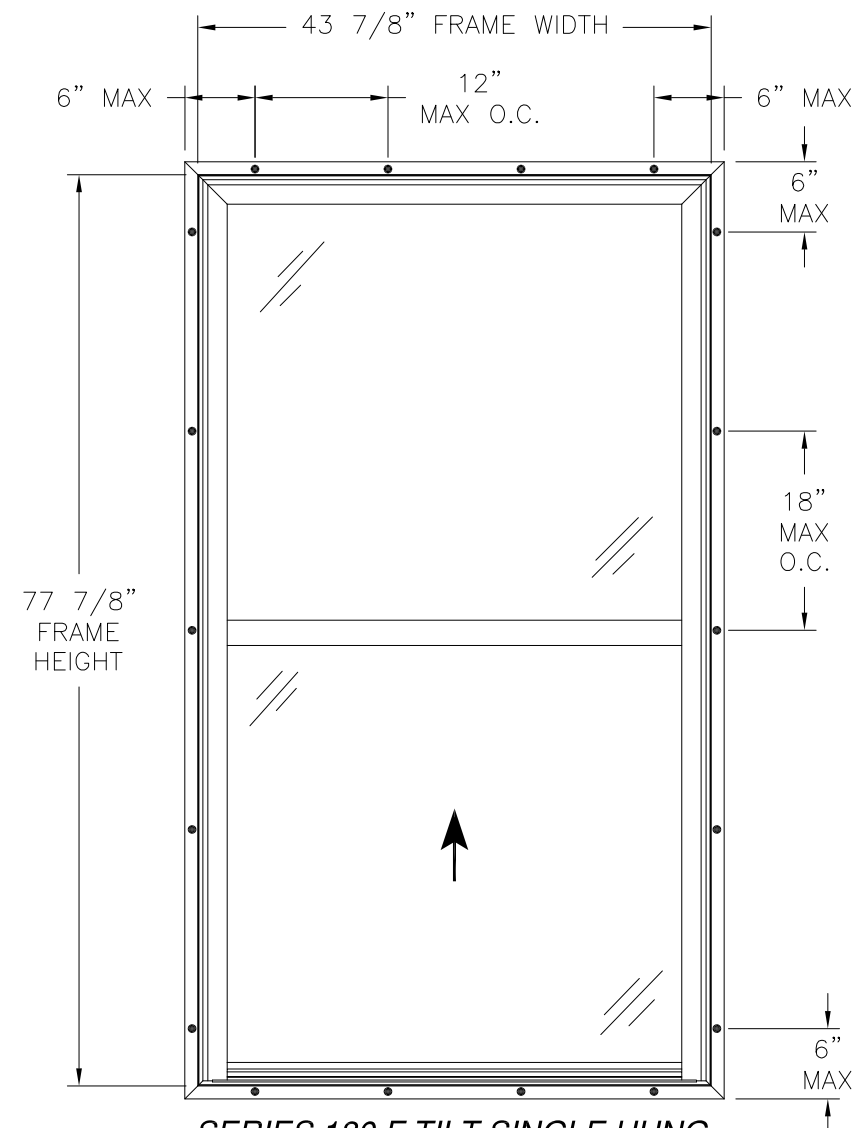
SIGNED: 04/22/2022

TABLE OF CONTENTS	
SHEET NO.	DESCRIPTION
1	NOTES
2	ELEVATION
3 - 6	INSTALLATION DETAILS
7	COMPONENTS

STERGIS WINDOW & DOORS 79 WALTON STREET ATTLEBORO, MA 02703		
WINDGATE TILT SINGLE HUNG 44"X78" REINFORCED W/SILL ADAPTER & JAMB CLIPS NON-IMPACT NOTES		
DRAWN: R.L.	DWG NO. 08-03825	REV -
SCALE NTS	DATE 04/21/2022	SHEET 1 OF 5
L. ROBERTO LOMAS P.E. 400 S. PALM AVE, INDIALANTIC, FL 32903 434-688-0609 rllomas@rlomaspe.com		



Luis R. Lomas P.E.
FL No.: 62514



SERIES 180 F TILT SINGLE HUNG
EXTERIOR VIEW, FIN INSTALLATION

DESIGN PRESSURE RATING	IMPACT RATING
±50PSF	NONE

44" X 78" UNIT SHOWN. OTHER SIZES APPROVED AS LONG AS FRAME AREA DOES NOT EXCEED 23.7 FT²

HARDWARE SCHEDULE

A.	(2) COMPOSITE LOCK WITH KEEPER AT FIXED RAIL 8" FROM EACH END
B.	(2) BLOCK AND TACKLE BALANCE SYSTEM WITH LOCKING TILT SHOE, ONE PER JAMB
C.	(2) FLUSH MOUNT PLASTIC TILT LATCH AT LOCK RAIL, ONE AT EACH END
D.	(2) METAL PIVOT BAR AT BOTTOM RAIL, ONE AT EACH END
E.	DNA PUR REINFORCEMENT (10000670) AT FIXED MEETING RAIL
F.	DNA PUR REINFORCEMENT (100006612) AT LOCK RAIL AND ALL SASH MEMBERS
G.	(2) METAL JAMB CLIP ONE PER JAMB AT TITL LATCH

REVISIONS			
REV	DESCRIPTION	DATE	APPROVED

NOTES:

1. TOP SASH SIZE: 40 3/4" X 38 1/8"
2. FIXED D.L.O.: 39" X 35 3/4"
3. SASH D.L.O.: 38 1/4" X 35 5/8"

SIGNED: 04/22/2022

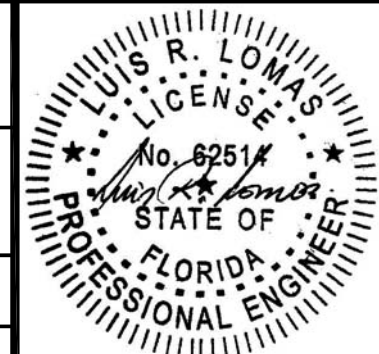
STERGIS WINDOW & DOORS

79 WALTON STREET
ATTLEBORO, MA 02703

WINDGATE TILT SINGLE HUNG 44"X78" REINFORCED
W/SILL ADAPTER & JAMB CLIPS NON-IMPACT
ELEVATION

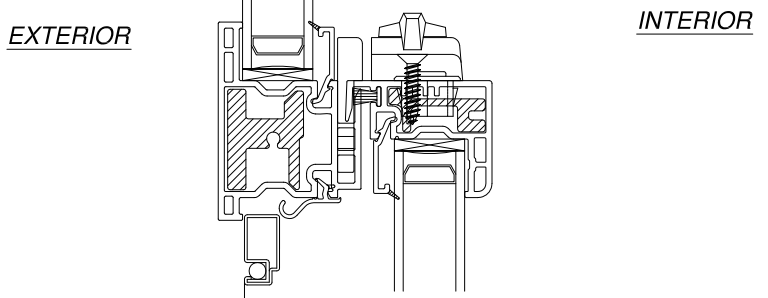
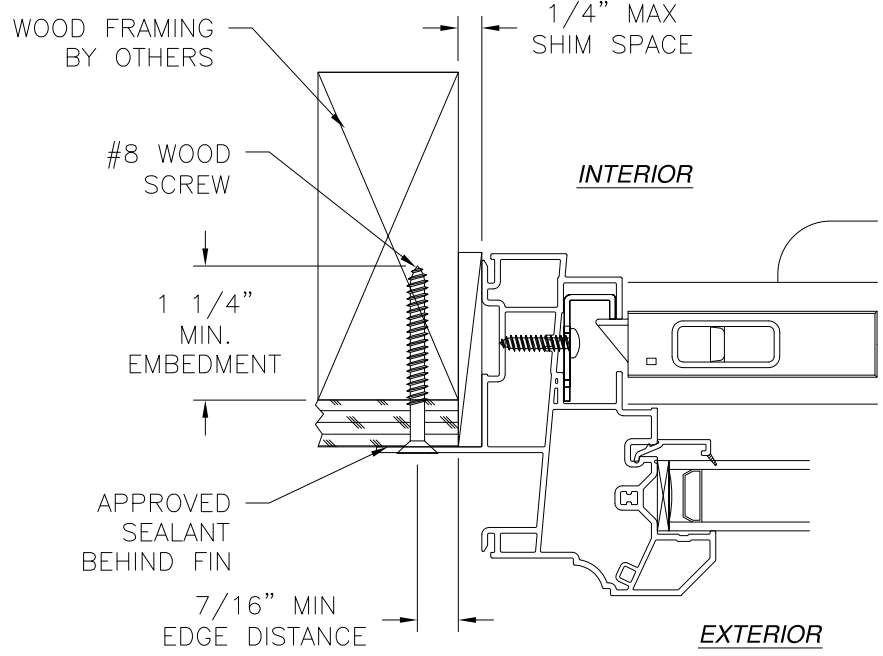
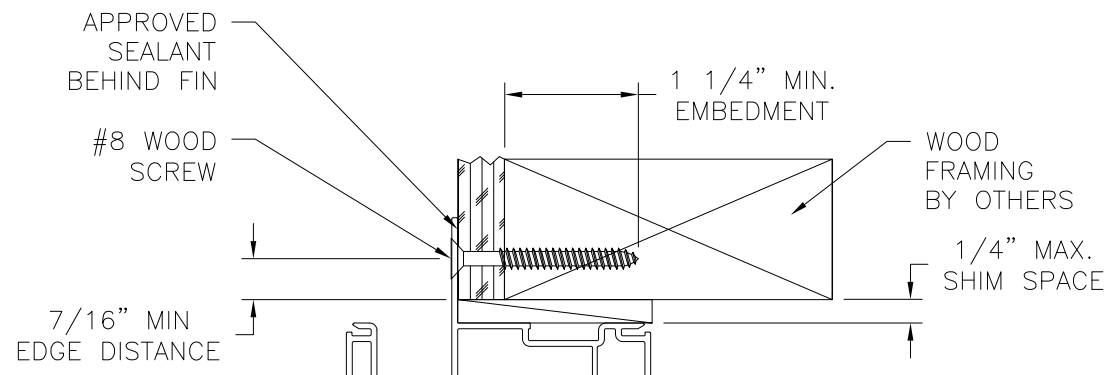
DRAWN: R.L.	DWG NO. 08-03825	REV -
SCALE NTS	DATE 04/21/2022	SHEET 2 OF 5

L. ROBERTO LOMAS P.E.
400 S. PALM AVE, INDIALANTIC, FL 32903
434-688-0609 rllomas@rlomaspe.com



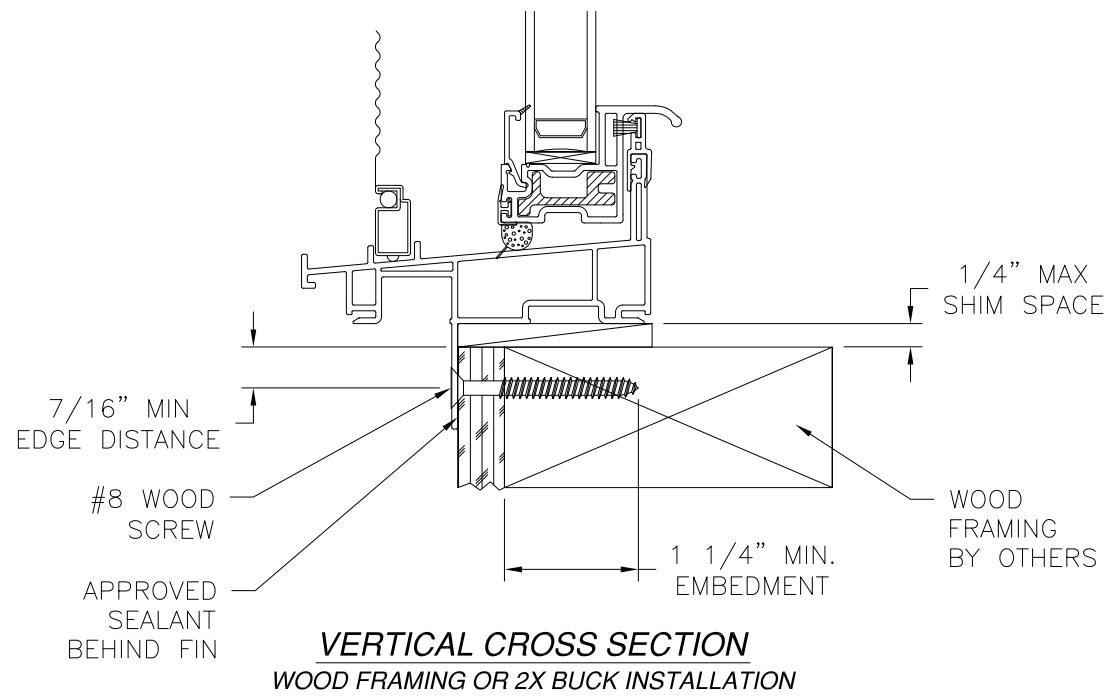
Luis R. Lomas P.E.
FL No.: 62514

REVISIONS			
REV	DESCRIPTION	DATE	APPROVED



JAMB INSTALLATION DETAIL
WOOD FRAMING OR 2X BUCK INSTALLATION

- NOTES:**
1. INTERIOR AND EXTERIOR FINISHES, BY OTHERS, NOT SHOWN FOR CLARITY.
 2. PERIMETER AND JOINT SEALANT BY OTHERS TO BE DESIGNED IN ACCORDANCE WITH ASTM E2112



VERTICAL CROSS SECTION
WOOD FRAMING OR 2X BUCK INSTALLATION

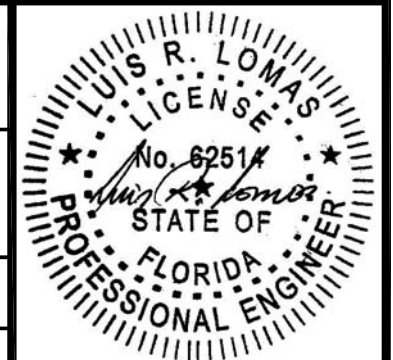
SIGNED: 04/22/2022

STERGIS WINDOW & DOORS
79 WALTON STREET
ATTLEBORO, MA 02703

WINDGATE TILT SINGLE HUNG 44"X78" REINFORCED
W/SILL ADAPTER & JAMB CLIPS NON-IMPACT
INSTALLATION DETAILS

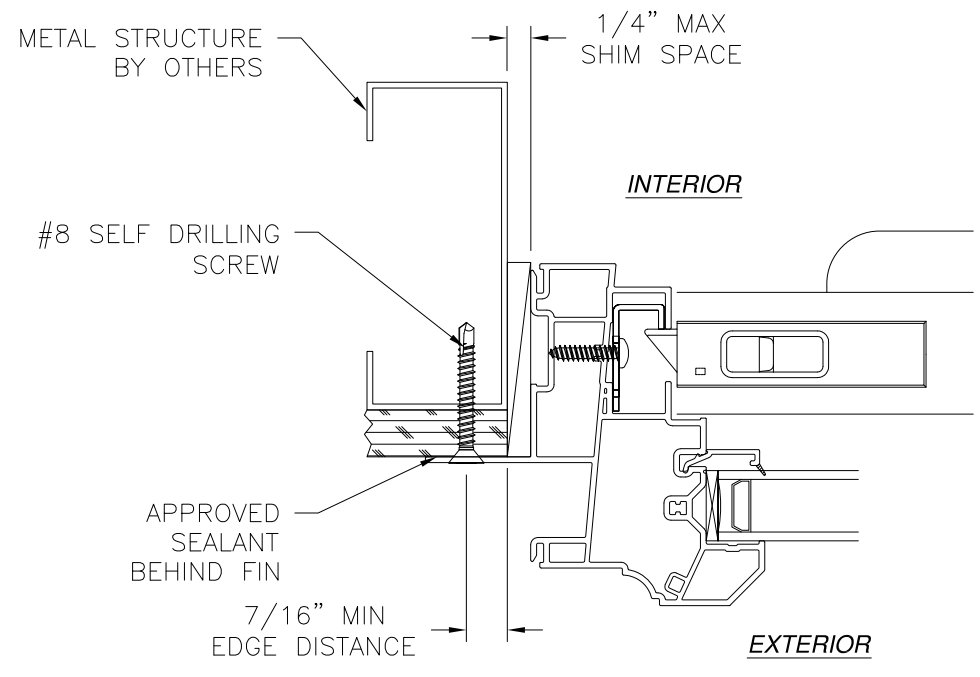
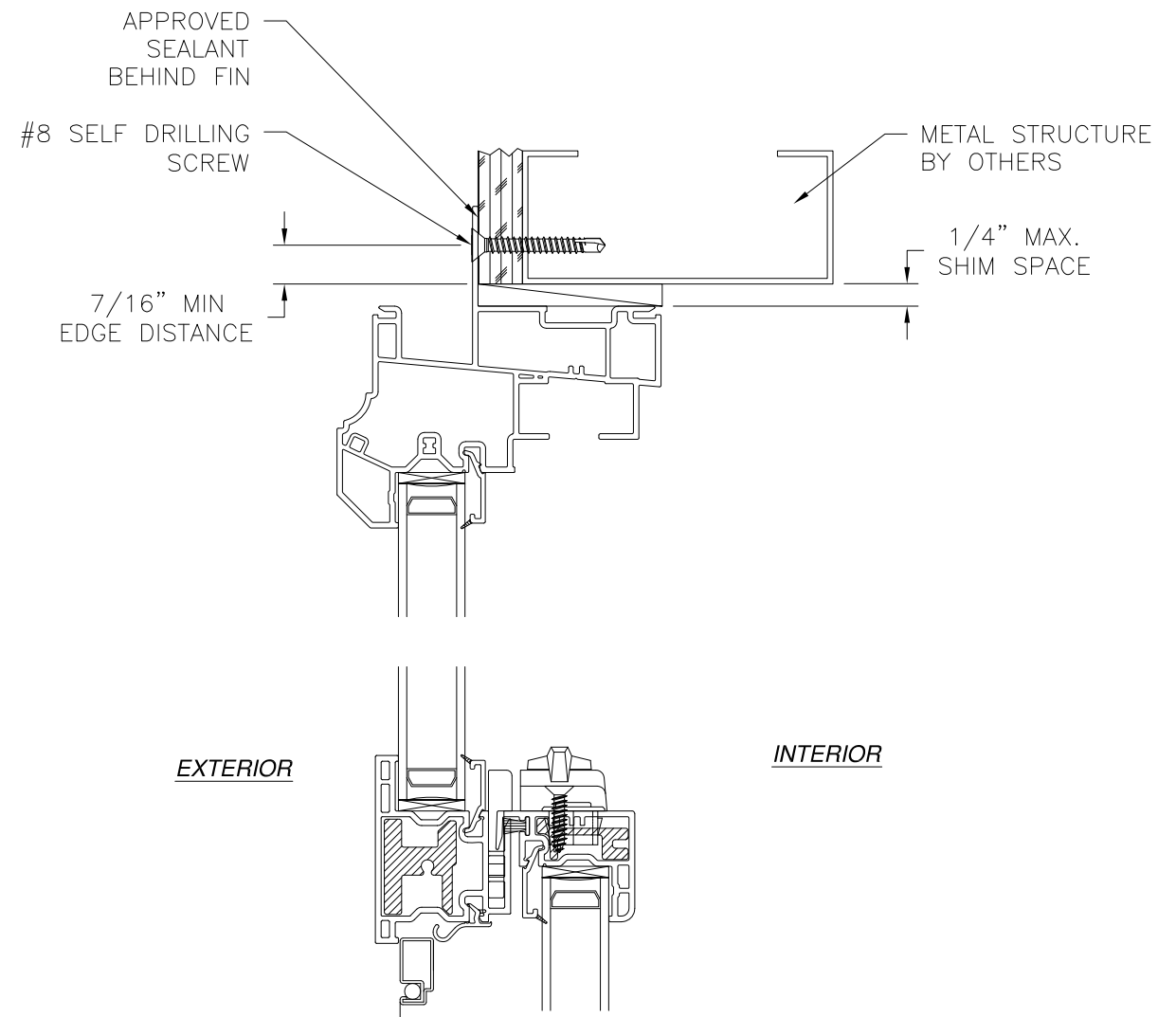
DRAWN: R.L.	DWG NO. 08-03825	REV -
SCALE NTS	DATE 04/21/2022	SHEET 3 OF 5

L. ROBERTO LOMAS P.E.
400 S. PALM AVE, INDIALANTIC, FL 32903
434-688-0609 rllomas@rlomaspe.com

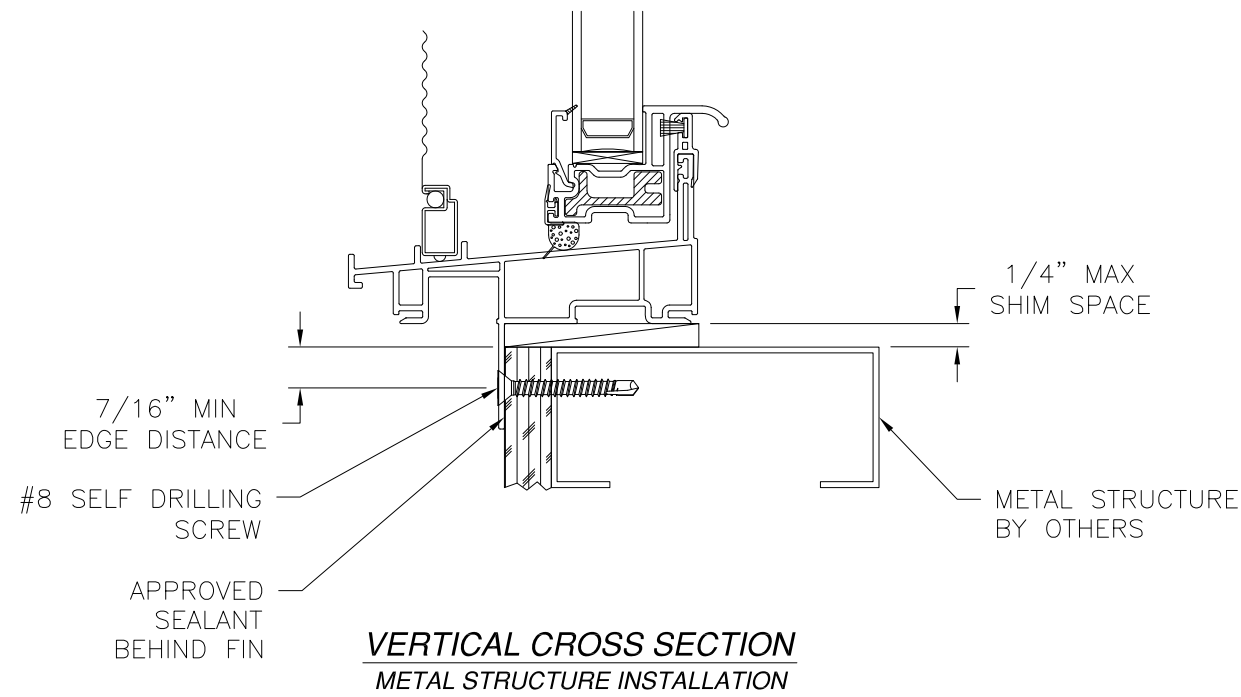


Luis R. Lomas P.E.
FL No.: 62514

REVISIONS			
REV	DESCRIPTION	DATE	APPROVED



JAMB INSTALLATION DETAIL
METAL STRUCTURE INSTALLATION



VERTICAL CROSS SECTION
METAL STRUCTURE INSTALLATION

- NOTES:**
1. INTERIOR AND EXTERIOR FINISHES, BY OTHERS, NOT SHOWN FOR CLARITY.
 2. PERIMETER AND JOINT SEALANT BY OTHERS TO BE DESIGNED IN ACCORDANCE WITH ASTM E2112

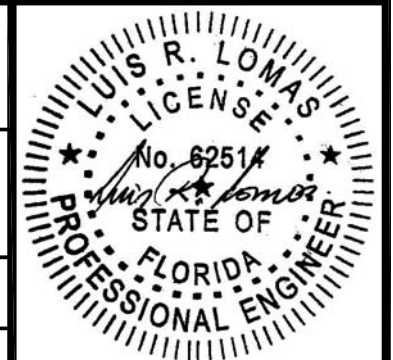
SIGNED: 04/22/2022

STERGIS WINDOW & DOORS
79 WALTON STREET
ATTLEBORO, MA 02703

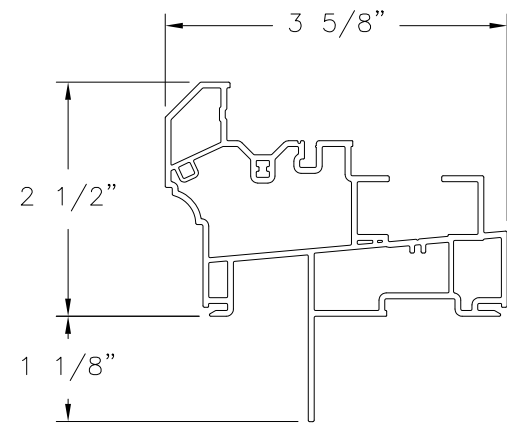
WINDGATE TILT SINGLE HUNG 44"X78" REINFORCED
W/SILL ADAPTER & JAMB CLIPS NON-IMPACT
INSTALLATION DETAILS

DRAWN: R.L.	DWG NO. 08-03825	REV -
SCALE NTS	DATE 04/21/2022	SHEET 4 OF 5

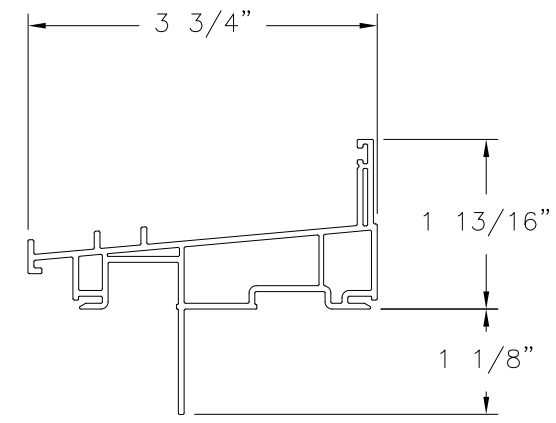
L. ROBERTO LOMAS P.E.
400 S. PALM AVE, INDIALANTIC, FL 32903
434-688-0609 rllomas@rlomaspe.com



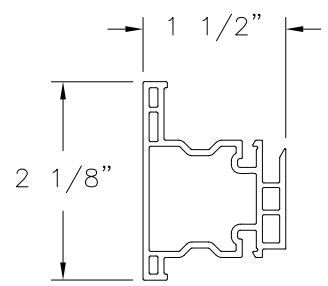
Luis R. Lomas P.E.
FL No.: 62514



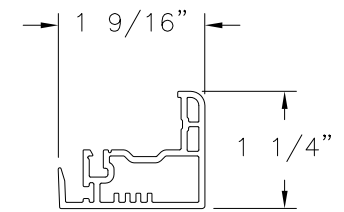
FRAME FIN
PVC .062" THICK



SILL FRAME FIN
PVC .062" THICK

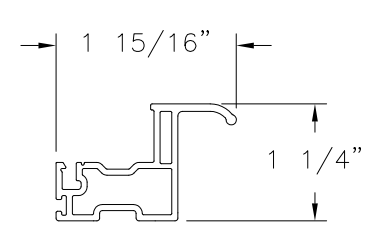


MEETING RAIL
PVC .065" THICK

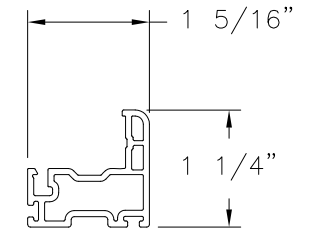


LOCK SASH
PVC .065" THICK

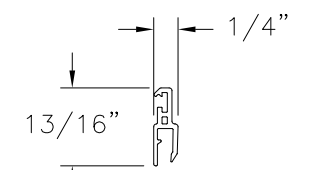
REVISIONS			
REV	DESCRIPTION	DATE	APPROVED



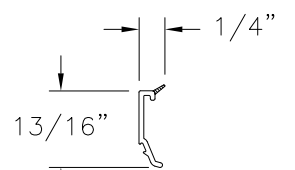
PULL/LIFT SASH
PVC .065" THICK



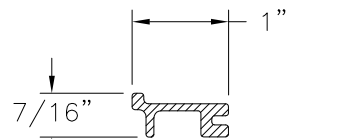
MAIN SASH
PVC .062" THICK



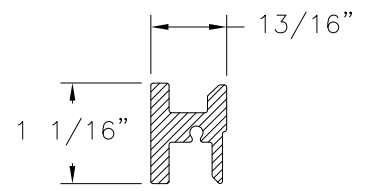
SILL RISER
PVC .050" THICK



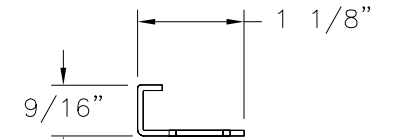
GLAZING BEAD
PVC .050" THICK



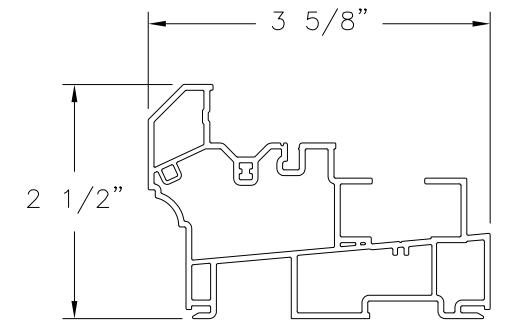
REINFORCEMENT
DNA PUR .090" THICK



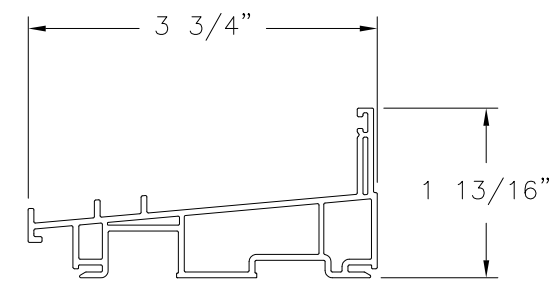
REINFORCEMENT
DNA PUR .195" THICK



JAMB CLIP
STEEL .060" THICK



FRAME FINLESS
PVC .062" THICK



SILL FRAME FINLESS
PVC .062" THICK

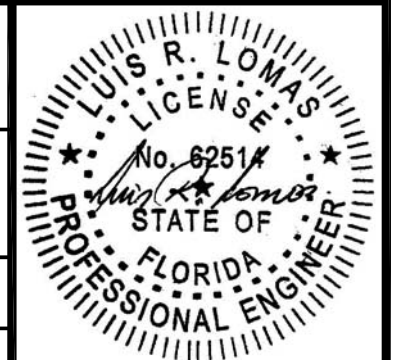
SIGNED: 04/22/2022

STERGIS WINDOW & DOORS
79 WALTON STREET
ATTLEBORO, MA 02703

WINDGATE TILT SINGLE HUNG 44"X78" REINFORCED
W/SILL ADAPTER & JAMB CLIPS NON-IMPACT
COMPONENTS

DRAWN: R.L.	DWG NO. 08-03825	REV -
SCALE NTS	DATE 04/21/2022	SHEET 5 OF 5

L. ROBERTO LOMAS P.E.
400 S. PALM AVE, INDIALANTIC, FL 32903
434-688-0609 rllomas@rlomaspe.com



Luis R. Lomas P.E.
FL No.: 62514