

REVISIONS			
REV	DESCRIPTION	DATE	APPROVED

NOTES:

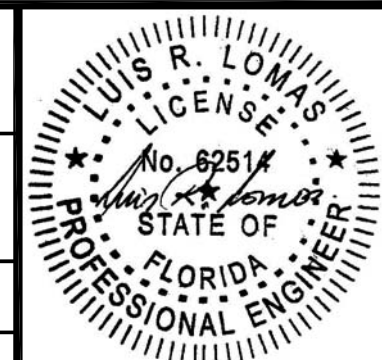
1. THE PRODUCT SHOWN HEREIN IS DESIGNED AND MANUFACTURED TO COMPLY WITH REQUIREMENTS OF THE FLORIDA BUILDING CODE.
2. WOOD FRAMING AND MASONRY OPENING TO BE DESIGNED AND ANCHORED TO PROPERLY TRANSFER ALL LOADS TO STRUCTURE. FRAMING AND MASONRY OPENING IS THE RESPONSIBILITY OF THE ARCHITECT OR ENGINEER OF RECORD.
3. WHERE SHIM OR BUCK THICKNESS IS LESS THAN 1-1/2" UNITS MUST BE ANCHORED THROUGH THE FRAME IN ACCORDANCE WITH MANUFACTURER'S PUBLISHED INSTALLATION INSTRUCTIONS. ANCHORS SHALL BE SECURELY FASTENED DIRECTLY INTO MASONRY, CONCRETE OR OTHER STRUCTURAL SUBSTRATE MATERIAL.
4. WHERE WOOD BUCK THICKNESS IS 1-1/2" OR GREATER, BUCK SHALL BE SECURELY FASTENED TO MASONRY, CONCRETE OR OTHER STRUCTURAL SUBSTRATE. UNITS MAY BE ANCHORED THROUGH FRAME TO SECURED WOOD BUCK IN ACCORDANCE WITH MANUFACTURER'S PUBLISHED INSTALLATION INSTRUCTIONS.
5. WHERE 1X BUCK IS NOT USED DISSIMILAR MATERIALS MUST BE SEPARATED WITH APPROVED COATING OR MEMBRANE. SELECTION OF COATING OR MEMBRANE IS THE RESPONSIBILITY OF THE ARCHITECT OR ENGINEER OF RECORD.
6. BUCKS SHALL EXTEND BEYOND UNIT FRAME INTERIOR FACE SO THAT FULL FRAME SUPPORT IS PROVIDED.
7. FOR FIN INSTALLATION SHIM AS NEEDED. FOR FRAME INSTALLATION SHIM AS REQUIRED AT EACH ANCHOR LOCATION WITH LOAD BEARING SHIM. SHIM WHERE SPACE OF 1/16" OR GREATER OCCURS. MAXIMUM ALLOWABLE SHIM STACK TO BE 1/4".
8. SHIMS SHALL BE LOCATED, APPLIED AND MADE FROM MATERIALS AND THICKNESS CAPABLE OF SUSTAINING APPLICABLE LOADS.
9. WIND LOAD DURATION FACTOR Cd=1.6 WAS USED FOR WOOD ANCHOR CALCULATIONS.
10. FRAME MATERIAL: EXTRUDED RIGID PVC.
11. UNITS MUST BE GLAZED PER ASTM E1300.
12. APPROVED IMPACT PROTECTIVE SYSTEM IS REQUIRED FOR THIS PRODUCT IN WIND BORNE DEBRIS REGIONS.

13. FOR ANCHORING THROUGH FIN INTO WOOD FRAMING OR 2X BUCK USE #8 WOOD SCREWS WITH SUFFICIENT LENGTH TO ACHIEVE A 1 1/4" MINIMUM EMBEDMENT INTO SUBSTRATE. LOCATE ANCHORS AS SHOWN IN ELEVATIONS AND INSTALLATION DETAILS.
16. FOR ANCHORING THROUGH FIN INTO METAL STRUCTURE USE #10 SMS OR SELF DRILLING SCREWS WITH SUFFICIENT LENGTH TO ACHIEVE 3 THREADS MINIMUM BEYOND STRUCTURE INTERIOR WALL. LOCATE ANCHORS AS SHOWN IN ELEVATIONS AND INSTALLATION DETAILS.
17. ALL FASTENERS TO BE CORROSION RESISTANT.
18. INSTALLATION ANCHORS SHALL BE INSTALLED IN ACCORDANCE WITH ANCHOR MANUFACTURER'S INSTALLATION INSTRUCTIONS AND ANCHORS SHALL NOT BE USED IN SUBSTRATES WITH STRENGTHS LESS THAN THE MINIMUM STRENGTH SPECIFIED BELOW:
  - A. WOOD: MINIMUM SPECIFIC GRAVITY OF G=0.42
  - B. METAL STRUCTURE: STEEL 18GA (.048") FY=33KSI/FU=52KSI OR ALUMINUM 6063-T5 FU=30KSI .048" THICK MINIMUM
19. GEOMETRIC SHAPES ARE ALSO APPROVED. APPROVED GEOMETRIC SHAPES DIMENSIONS SHALL NOT EXCEED INSCRIBED DIMENSIONS OF APPROVED RECTANGULAR ASSEMBLY SHOWN IN SHEET 2.

SIGNED: 04/22/2022

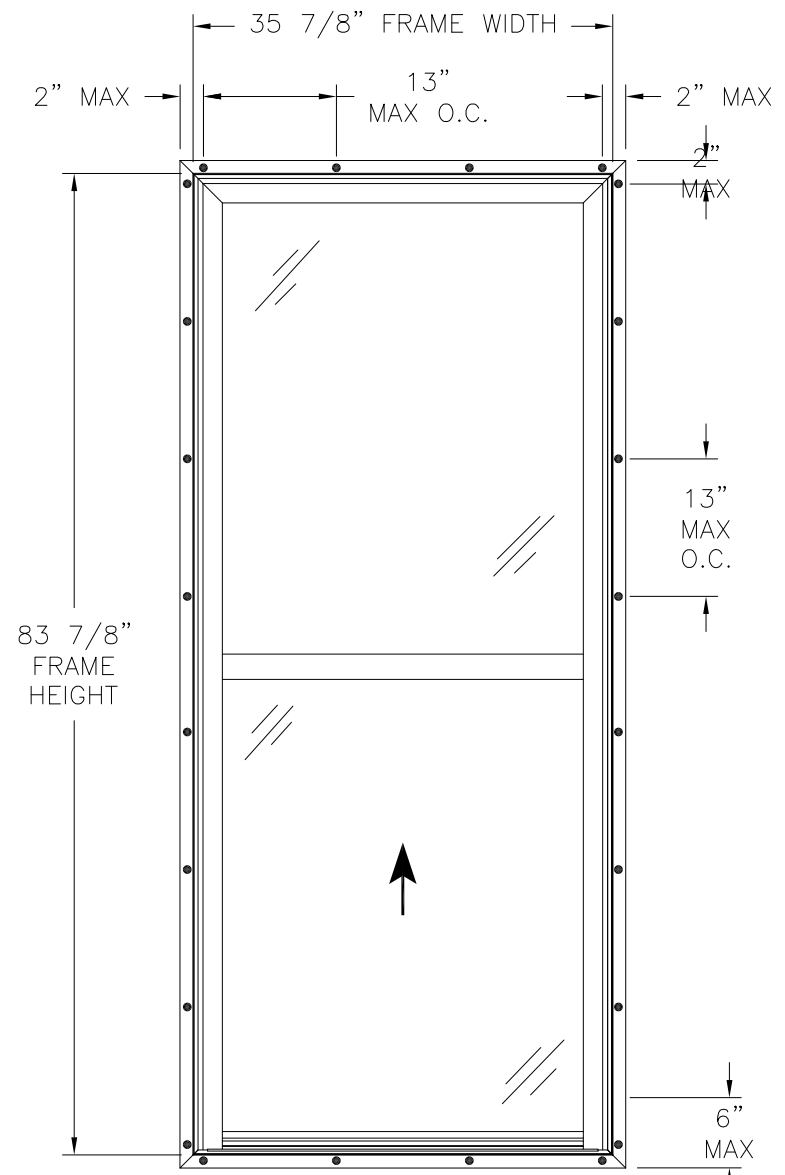
TABLE OF CONTENTS	
SHEET NO.	DESCRIPTION
1	NOTES
2	ELEVATION
3 - 6	INSTALLATION DETAILS
7	COMPONENTS

<b>STERGIS WINDOW &amp; DOORS</b> 79 WALTON STREET ATTLEBORO, MA 02703		
WINDGATE TILT SINGLE HUNG 36"X84" REINFORCED NON-IMPACT NOTES		
DRAWN: R.L.	DWG NO. 08-03827	REV -
SCALE NTS	DATE 04/21/2022	SHEET 1 OF 5
L. ROBERTO LOMAS P.E. 400 S. PALM AVE, INDIALANTIC, FL 32903 434-688-0609 rllomas@rlomaspe.com		



Luis R. Lomas P.E.  
FL No.: 62514

REVISIONS			
REV	DESCRIPTION	DATE	APPROVED



**SERIES 180 F TILT SINGLE HUNG**  
EXTERIOR VIEW, FIN INSTALLATION

DESIGN PRESSURE RATING	IMPACT RATING
±50PSF	NONE

36" X 84" UNIT SHOWN. OTHER SIZES APPROVED AS LONG AS  
FRAME AREA DOES NOT EXCEED 21.0 FT<sup>2</sup>

**NOTES:**

1. TOP SASH SIZE: 40 3/4" X 38 1/8"
2. FIXED D.L.O.: 39" X 35 3/4"
3. SASH D.L.O.: 38 1/4" X 35 5/8"

SIGNED: 04/22/2022

**STERGIS WINDOW & DOORS**

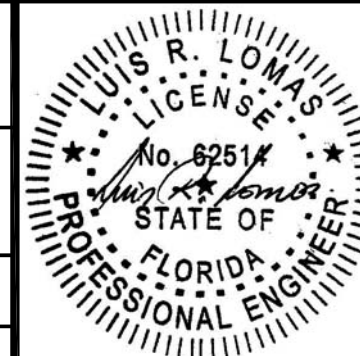
79 WALTON STREET  
ATTLEBORO, MA 02703

WINDGATE TILT SINGLE HUNG 36"X84" REINFORCED  
NON-IMPACT  
ELEVATION

DRAWN: R.L.	DWG NO. 08-03827	REV -
----------------	---------------------	----------

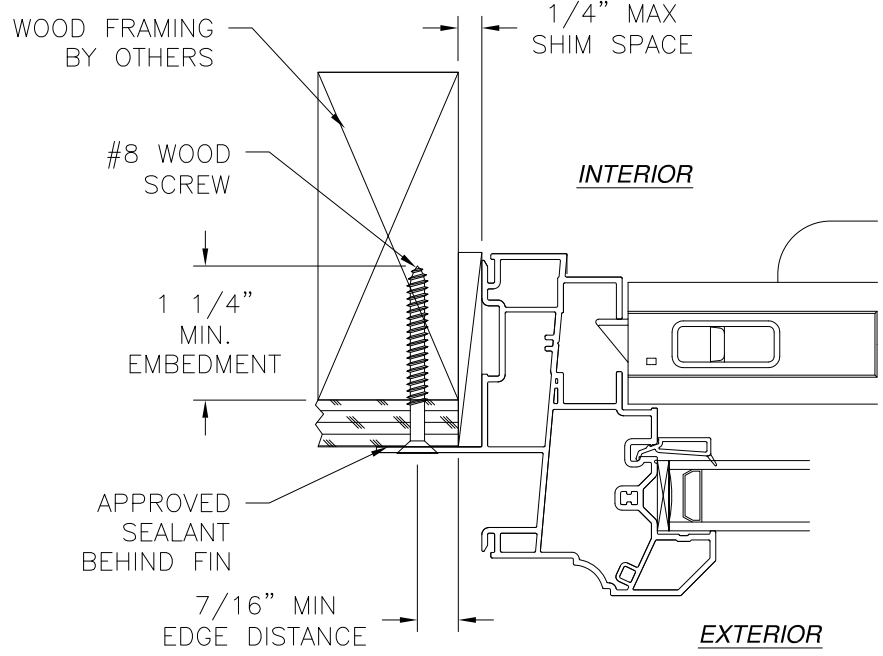
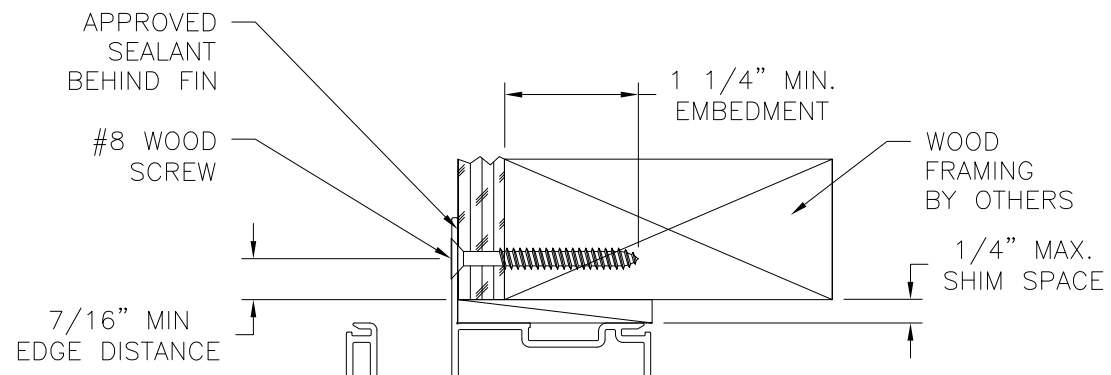
SCALE NTS	DATE 04/21/2022	SHEET 2 OF 5
-----------	-----------------	--------------

L. ROBERTO LOMAS P.E.  
400 S. PALM AVE, INDIALANTIC, FL 32903  
434-688-0609 rllomas@rlomaspe.com



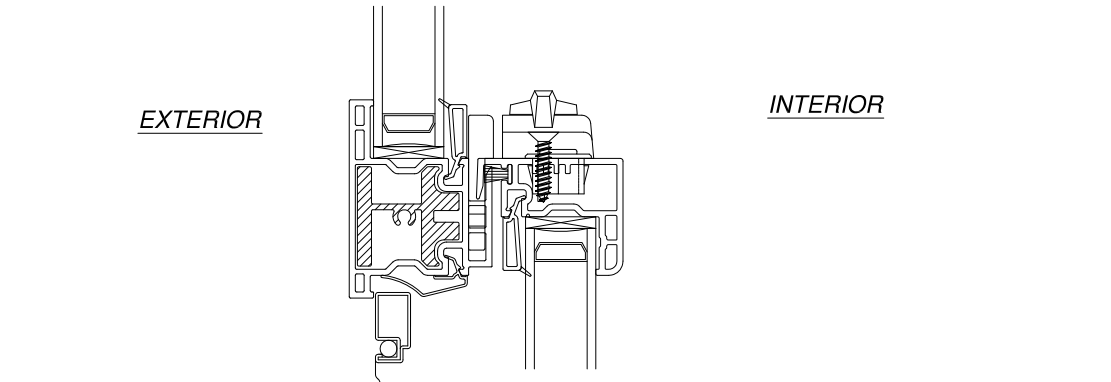
Luis R. Lomas P.E.  
FL No.: 62514

REVISIONS			
REV	DESCRIPTION	DATE	APPROVED

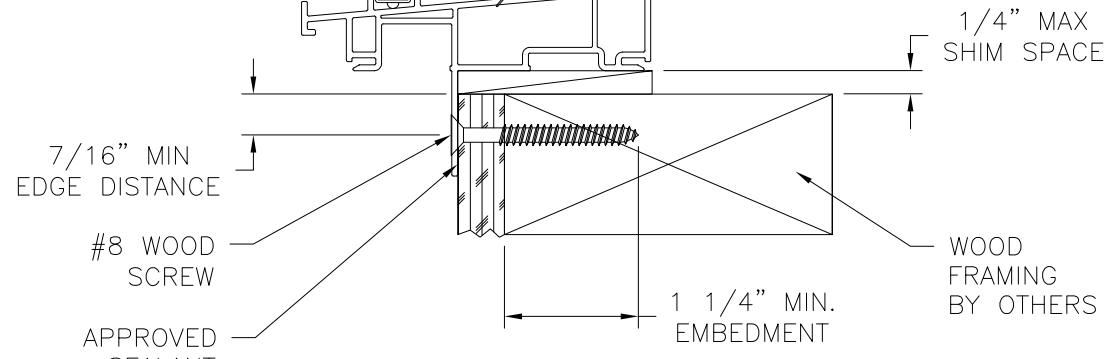


**JAMB INSTALLATION DETAIL**  
WOOD FRAMING OR 2X BUCK INSTALLATION

- NOTES:**
1. INTERIOR AND EXTERIOR FINISHES, BY OTHERS, NOT SHOWN FOR CLARITY.
  2. PERIMETER AND JOINT SEALANT BY OTHERS TO BE DESIGNED IN ACCORDANCE WITH ASTM E2112



**VERTICAL CROSS SECTION**  
WOOD FRAMING OR 2X BUCK INSTALLATION



SIGNED: 04/22/2022

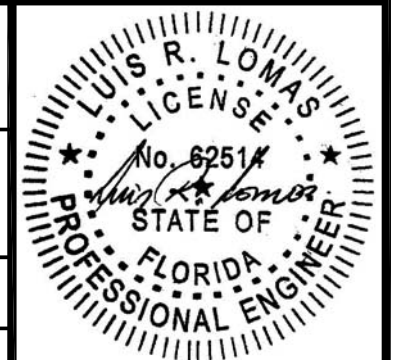
**STERGIS WINDOW & DOORS**  
79 WALTON STREET  
ATTLEBORO, MA 02703

---

WINDGATE TILT SINGLE HUNG 36"X84" REINFORCED  
NON-IMPACT  
INSTALLATION DETAILS

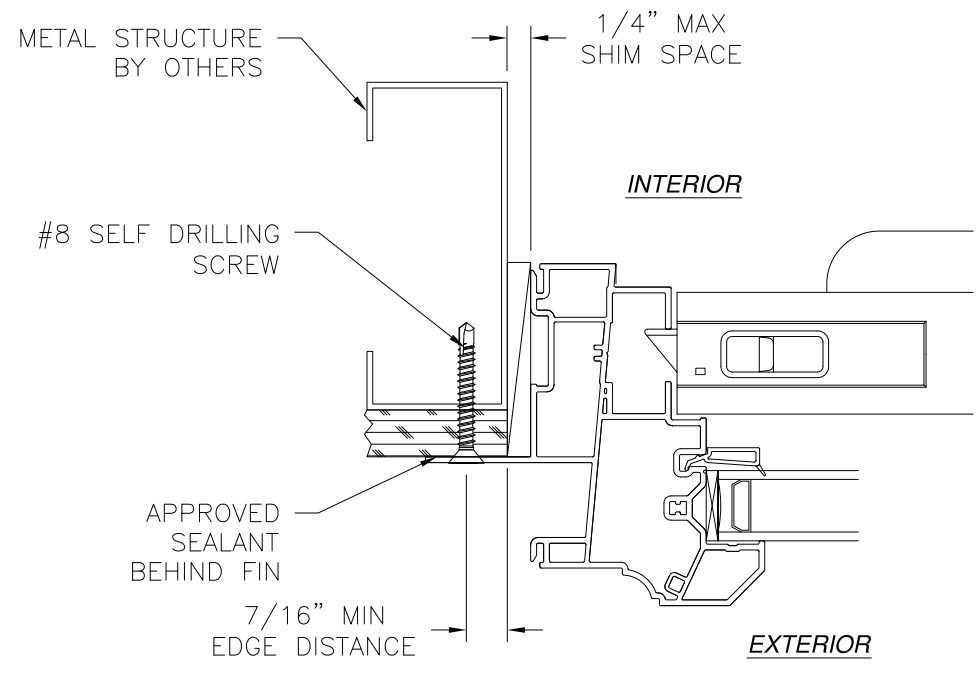
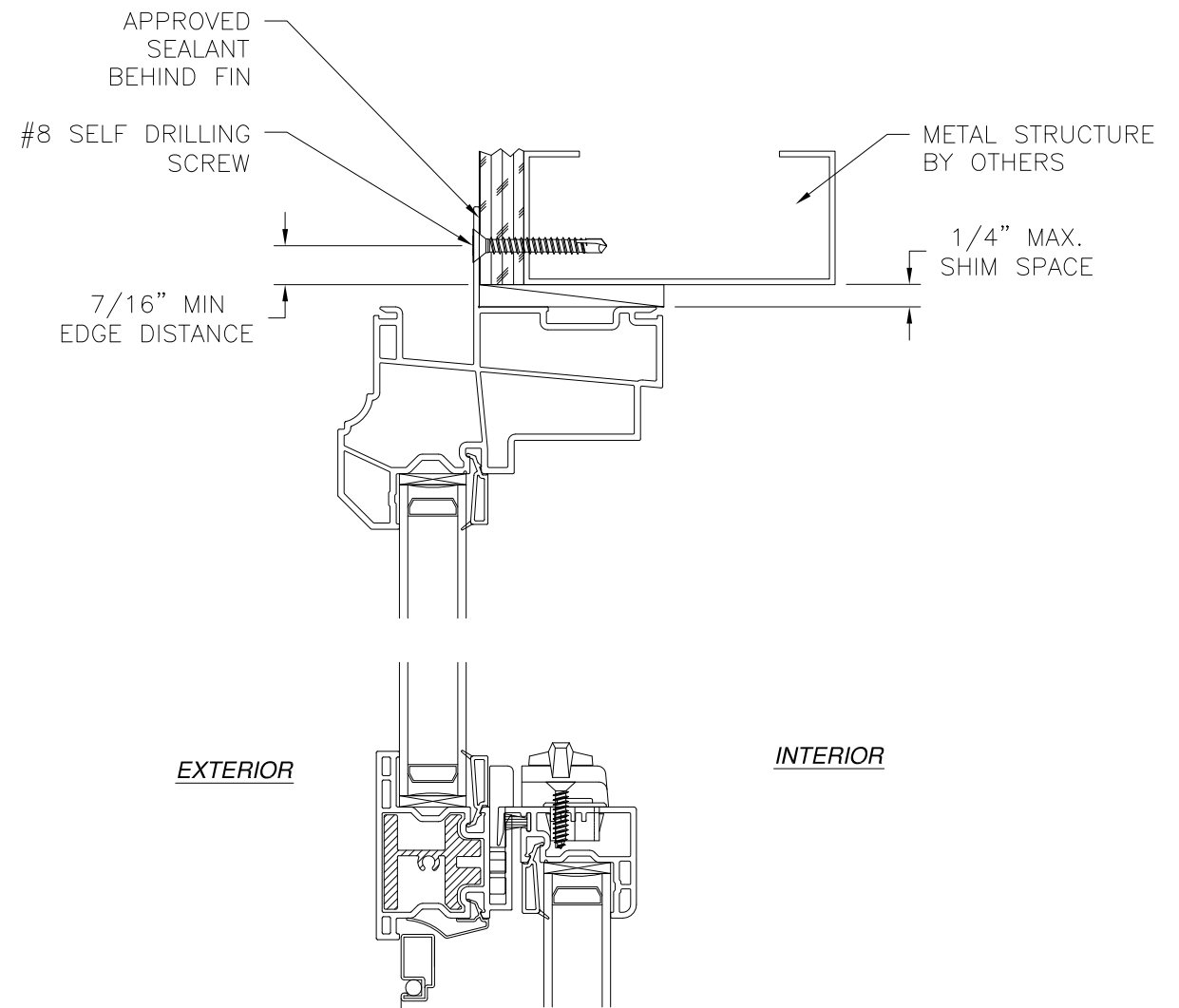
DRAWN: R.L.	DWG NO. 08-03827	REV -
SCALE NTS	DATE 04/21/2022	SHEET 3 OF 5

L. ROBERTO LOMAS P.E.  
400 S. PALM AVE, INDIALANTIC, FL 32903  
434-688-0609 rllomas@rlomaspe.com

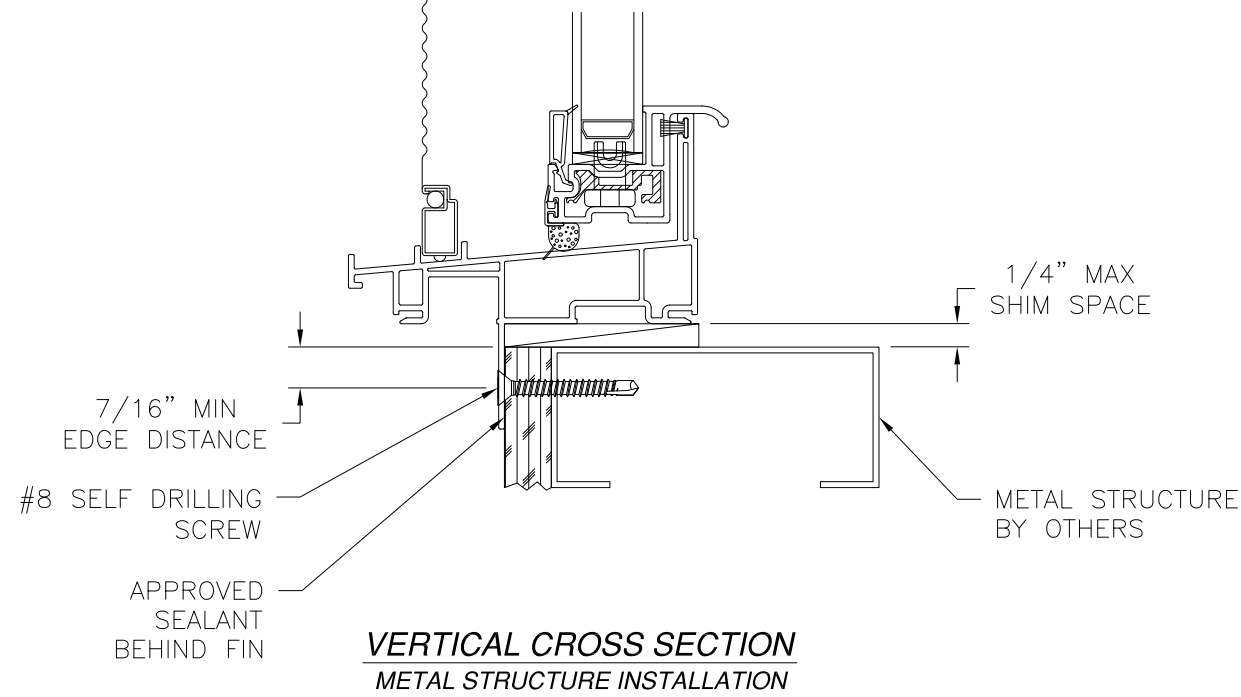


Luis R. Lomas P.E.  
FL No.: 62514

REVISIONS			
REV	DESCRIPTION	DATE	APPROVED



**JAMB INSTALLATION DETAIL**  
METAL STRUCTURE INSTALLATION



**VERTICAL CROSS SECTION**  
METAL STRUCTURE INSTALLATION

- NOTES:**
1. INTERIOR AND EXTERIOR FINISHES, BY OTHERS, NOT SHOWN FOR CLARITY.
  2. PERIMETER AND JOINT SEALANT BY OTHERS TO BE DESIGNED IN ACCORDANCE WITH ASTM E2112

SIGNED: 04/22/2022

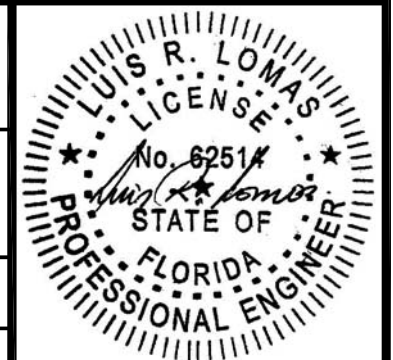
**STERGIS WINDOW & DOORS**  
79 WALTON STREET  
ATTLEBORO, MA 02703

---

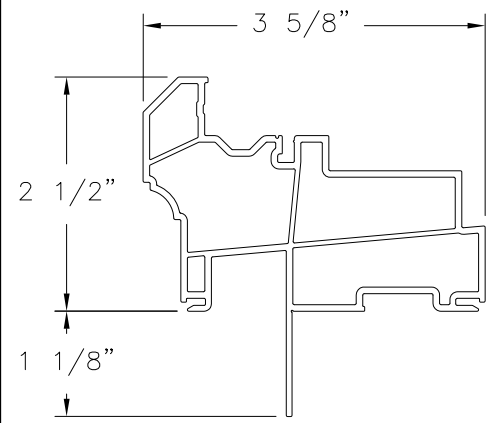
WINDGATE TILT SINGLE HUNG 36"X84" REINFORCED  
NON-IMPACT  
INSTALLATION DETAILS

DRAWN: R.L.	DWG NO. 08-03827	REV -
SCALE NTS	DATE 04/21/2022	SHEET 4 OF 5

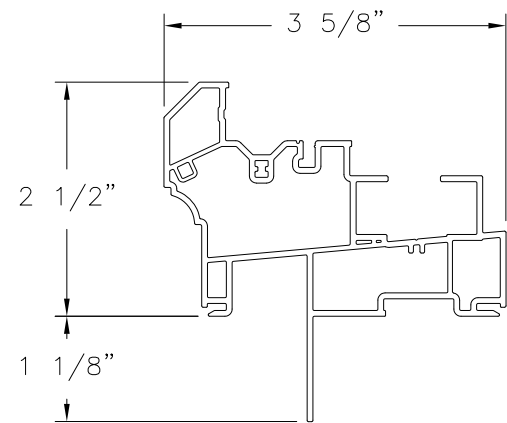
L. ROBERTO LOMAS P.E.  
400 S. PALM AVE, INDIALANTIC, FL 32903  
434-688-0609 rllomas@rlomaspe.com



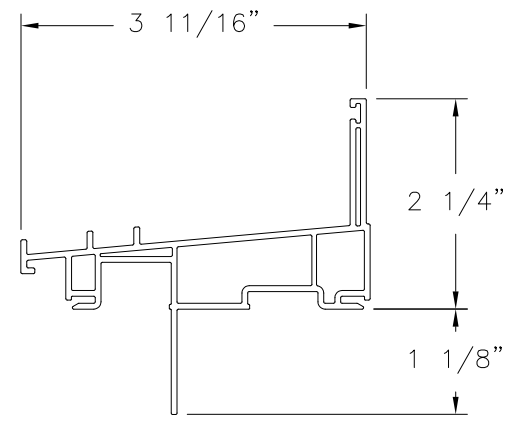
Luis R. Lomas P.E.  
FL No.: 62514



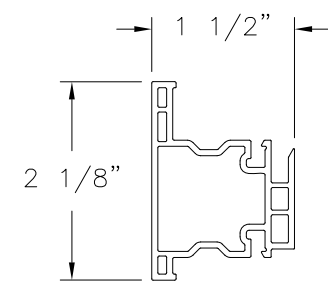
**HEAD FRAME FIN**  
PVC .062" THICK



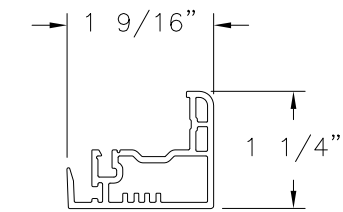
**JAMB FRAME FIN**  
PVC .062" THICK



**SILL FRAME FIN**  
PVC .062" THICK

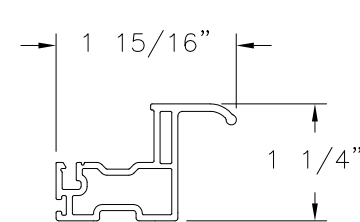


**MEETING RAIL**  
PVC .065" THICK

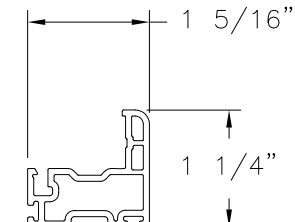


**LOCK SASH**  
PVC .065" THICK

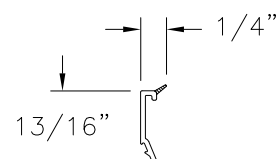
REVISIONS			
REV	DESCRIPTION	DATE	APPROVED



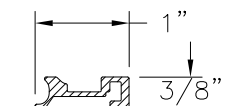
**PULL/LIFT SASH**  
PVC .065" THICK



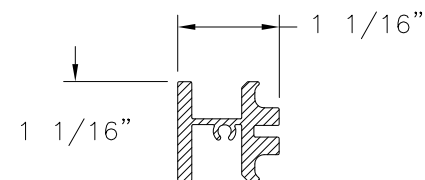
**MAIN SASH**  
PVC .062" THICK



**GLAZING BEAD**  
PVC .050" THICK



**REINFORCEMENT**  
ALUMINUM 6005-T5 .050" THICK



**REINFORCEMENT**  
ALUMINUM 6005-T5 .150" THICK

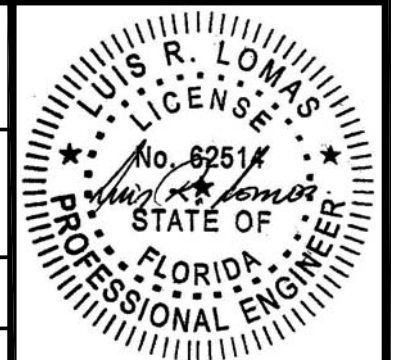
SIGNED: 04/22/2022

STERGIS WINDOW & DOORS  
79 WALTON STREET  
ATTLEBORO, MA 02703

WINDGATE TILT SINGLE HUNG 36"X84" REINFORCED  
NON-IMPACT  
COMPONENTS

DRAWN: R.L.	DWG NO. 08-03827	REV -
SCALE NTS	DATE 04/21/2022	SHEET 5 OF 5

L. ROBERTO LOMAS P.E.  
400 S. PALM AVE, INDIALANTIC, FL 32903  
434-688-0609 rllomas@rlomaspe.com



Luis R. Lomas P.E.  
FL No.: 62514