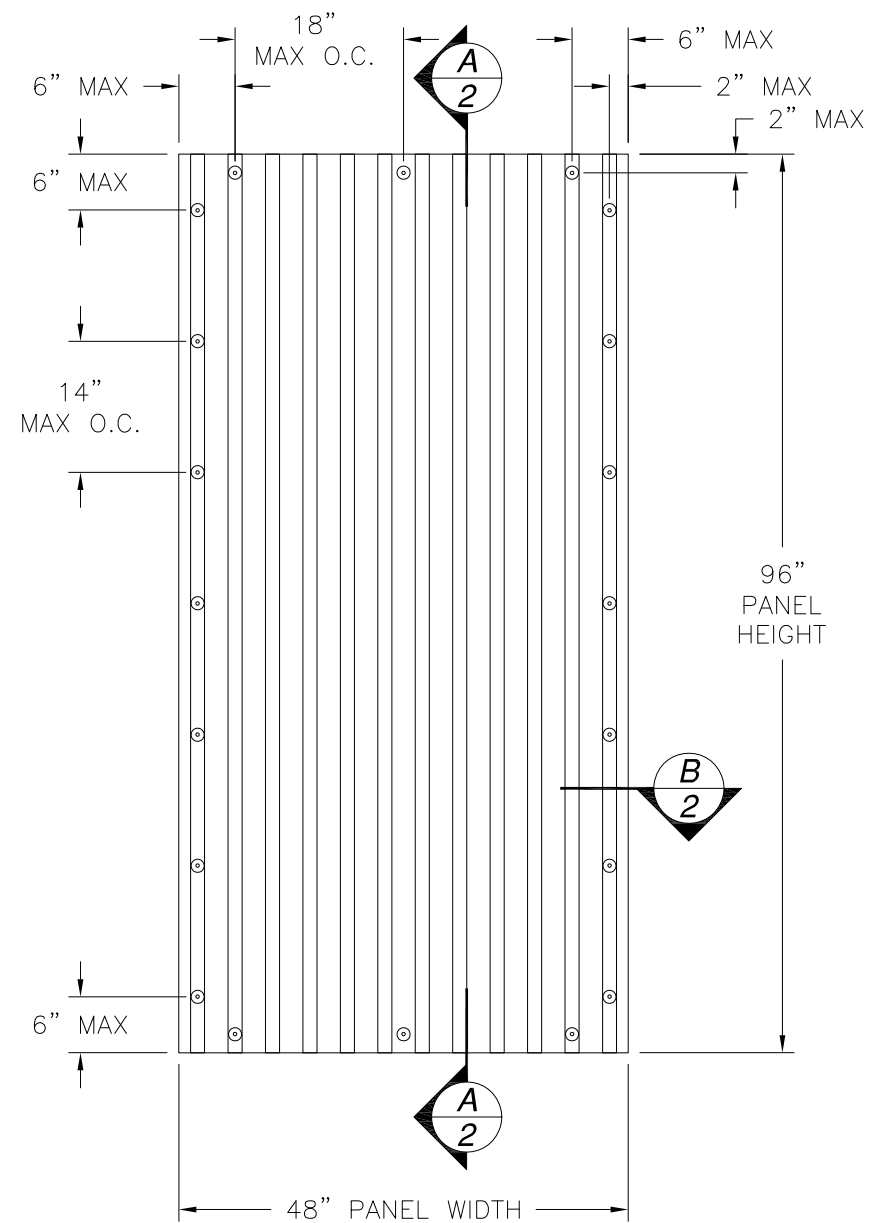


REVISIONS			
REV	DESCRIPTION	DATE	APPROVED



5/8" PANEL
EXTERIOR VIEW

DESIGN PRESSURE RATING	IMPACT RATING
±60.0PSF	LARGE AND SMALL MISSILE IMPACT

48" X 96" UNIT SHOWN. OTHER SIZES APPROVED AS LONG AS PANEL AREA DOES NOT EXCEED 32 FT²

NOTES:

1. THE PRODUCT SHOWN HEREIN IS DESIGNED AND MANUFACTURED TO COMPLY WITH THE REQUIREMENTS OF THE FLORIDA BUILDING CODE INCLUDING THE HVHZ.
2. PANELS SHALL BE FASTENED ACCORDING TO FASTENER MANUFACTURERS INSTALLATION SPECIFICATIONS AND AS SHOWN HEREIN.
3. PANEL FRAME MATERIAL: POLYCARBONATE 5/8".
4. MAXIMUM PANEL SIZE: 48" X 96".
5. TOP AND BOTTOM DETAILS SHOWN MAY BE INTERCHANGED AS FIELD CONDITIONS DICTATE. PANELS MAY BE MOUNTED HORIZONTALLY WHERE APPLICABLE.
6. MINIMUM REQUIRED SEPARATION 2 7/8" BETWEEN PRODUCT AND EXISTING GLASS.

ANCHORING NOTES:

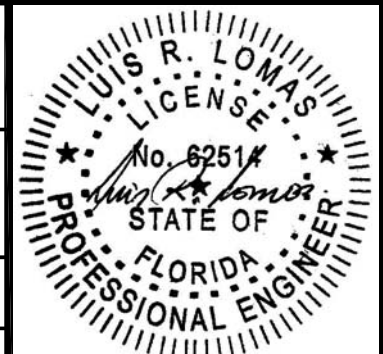
1. LOCATE ANCHORS AS FOLLOWS:
AT SHORTER SIDE: 6" FROM EACH CORNER AND 18" MAXIMUM ON CENTER THEREAFTER.
AT LONGER SIDE: 6" MAXIMUM FROM EACH CORNER AND 14" MAXIMUM ON CENTER THEREAFTER.
2. ALL BOLTS AND WASHERS SHALL BE GALVANIZED OR STAINLESS STEEL WITH A MINIMUM TENSILE STRENGTH OF 60 K.S.I.
3. ONE THIRD INCREASE IN THE ANCHOR LOAD ALLOWABLE WAS NOT USED IN CALCULATING ANCHOR SPACING.

TABLE OF CONTENTS

SHEET NO.	DESCRIPTION
1	ELEVATION AND NOTES
2	INSTALLATION DETAILS
3	B.O.M. AND COMPONENTS

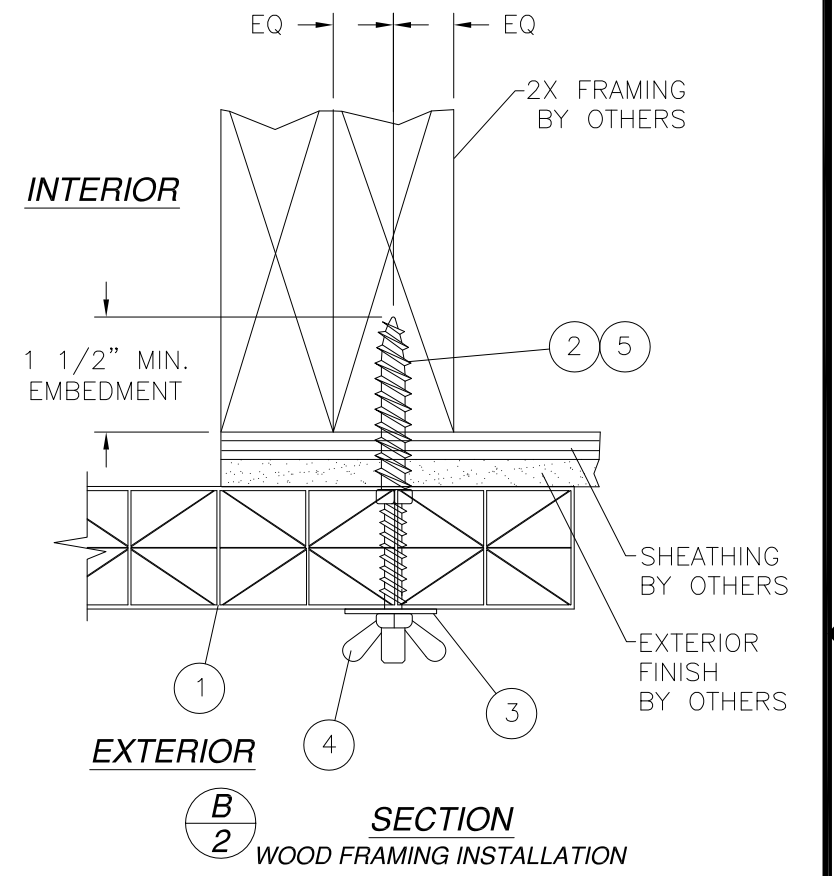
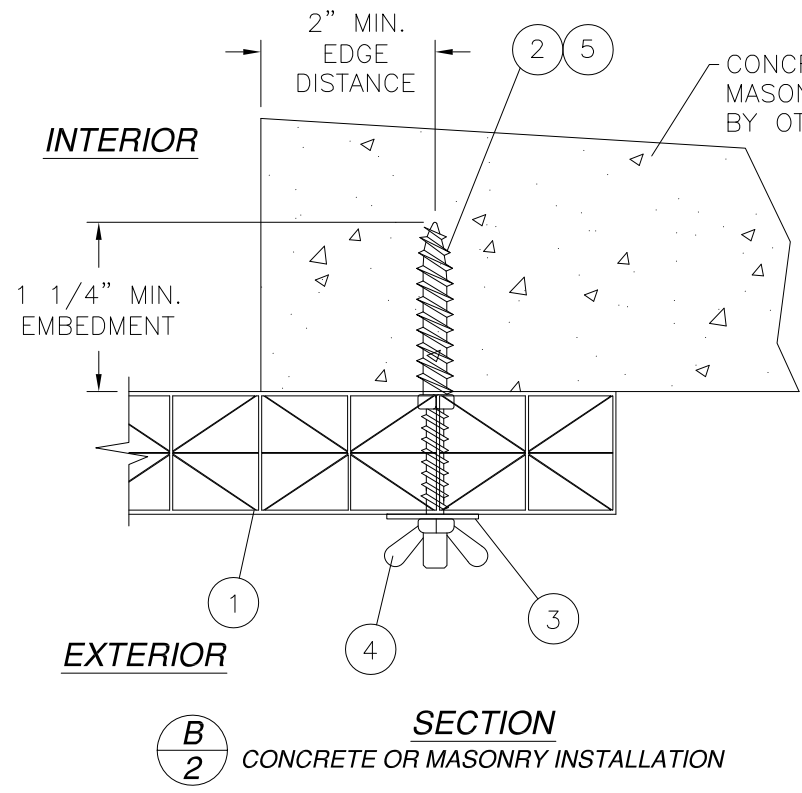
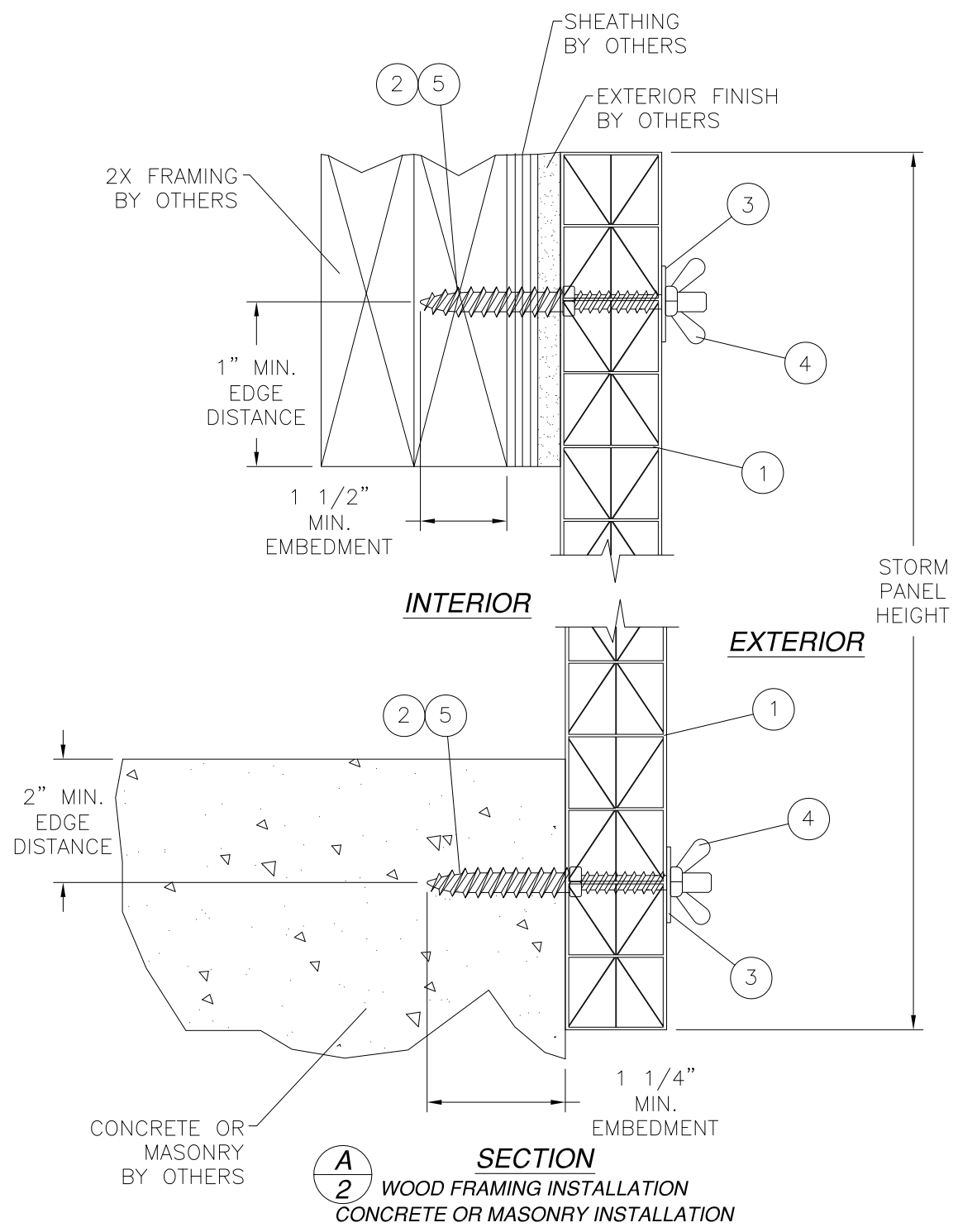
GALLINA USA, LLC 4335 CAPITAL CIRCLE JANESVILLE, WI 53545		
5/8" HURRICANE STORM PANEL RDC 48" X 96" ELEVATION AND NOTES		
DRAWN: A.R.	DWG NO. 08-03844	REV -
SCALE NTS	DATE 08/04/2022	SHEET 1 OF 3
L. ROBERTO LOMAS P.E. 400 S. PALM AVE, INDIALANTIC, FL 32903 434-688-0609 rllomas@rlomaspe.com		

SIGNED: 08/08/2022



Luis R. Lomas P.E.
FL No.: 62514

REVISIONS			
REV	DESCRIPTION	DATE	APPROVED



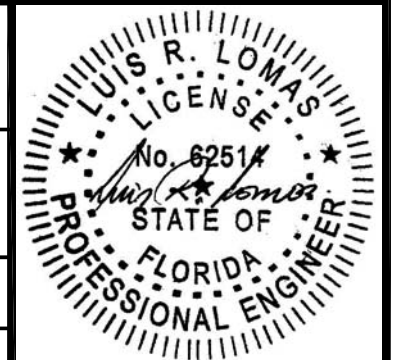
GALLINA USA, LLC
4335 CAPITAL CIRCLE
JANESVILLE, WI 53545

5/8" HURRICANE STORM PANEL RDC
48" X 96"
INSTALLATION DETAILS

DRAWN: A.R.	DWG NO. 08-03844	REV -
SCALE NTS	DATE 08/04/2022	SHEET 2 OF 3

L. ROBERTO LOMAS P.E.
400 S. PALM AVE, INDIALANTIC, FL 32903
434-688-0609 rllomas@rlomaspe.com

SIGNED: 08/08/2022

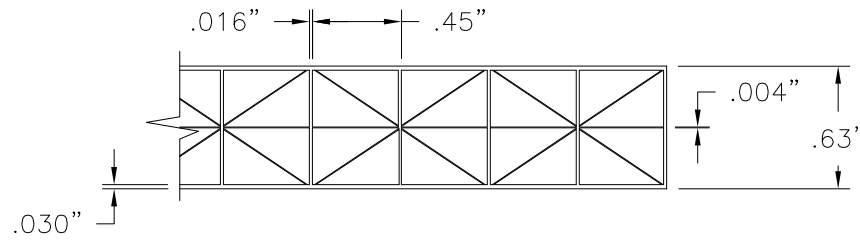


Luis R. Lomas P.E.
FL No.: 62514

BILL OF MATERIALS				
ITEM NO.:	PART NUMBER	DESCRIPTION	MANUFACTURER	MATERIAL
1	2161	5/8" STORM PANEL		POLYCARBONATE
2	PURCHASE	1/4" PANEL MATE MALE FASTENER	TEXTRON	
3	PURCHASE	1/4" WASHER		STEEL
4	PURCHASE	1/4-20 WINGNUT		STEEL
5	PURCHASE	1/4" TAPCON SG	ITW BUILDEX	

REVISIONS			
REV	DESCRIPTION	DATE	APPROVED

5/8" PRODUCT PROPERTIES			
TEST DESCRIPTION	TEST METHOD	TEST RESULTS	
SELF IGNITION TEMP.	ASTM D1929	896°F	
AVERAGE TIME OF BURNING	ASTM D635	0 SEC.	
STANDARD FLAME SPREAD	ASTM E84	15	
SMOKE DENSITY DEVELOPED	ASTM E84	350	
TENSILE STRENGTH (MEAN)	ASTM D638	6604 PSI	7240 PSI
		BEFORE	AFTER

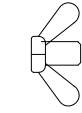


① **5/8" PANEL**
EXTERIOR WALLS 0.030"
INTERIOR FLUTED WALLS THICKNESS 0.016"

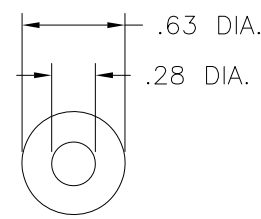


② **1/4" PANEL MATE (TEXTRON)**

⑤ **1/4" TAPCON SG (ITW BUILDEX)**



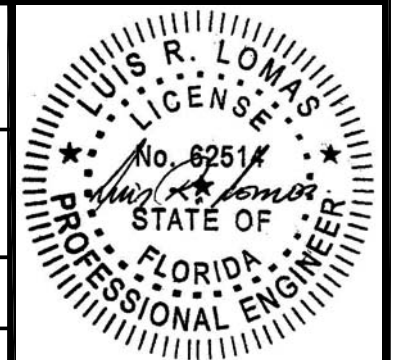
④ **1/4"-20 WING NUT**
STEEL



③ **1/4" WASHER**
STEEL 1/16" THICK

SIGNED: 08/08/2022

GALLINA USA, LLC 4335 CAPITAL CIRCLE JANESVILLE, WI 53545		
5/8" HURRICANE STORM PANEL RDC 48" X 96" B.O.M. AND COMPONENTS		
DRAWN: A.R.	DWG NO. 08-03844	REV -
SCALE NTS	DATE 08/04/2022	SHEET 3 OF 3
L. ROBERTO LOMAS P.E. 400 S. PALM AVE, INDIALANTIC, FL 32903 434-688-0609 rllomas@rlomaspe.com		



Luis R. Lomas P.E.
FL No.: 62514