

LONGBOARD ARCHITECTURAL PRODUCTS

TONGUE & GROOVE SOFFIT SYSTEM (HVHZ)



1777 CLEARBROOK RD #120
ABBOTSFORD, BC V2T 5X5, CANADA
PH: (800) 604-0343

GENERAL NOTES:

- THE PRODUCT SHOWN HEREIN IS DESIGNED AND MANUFACTURED TO COMPLY WITH THE CURRENT EDITION FLORIDA BUILDING CODE (FBC) **INCLUDING** HVHZ. ALL PRODUCTS UNDER THE SCOPE OF THIS DOCUMENT HAVE BEEN EVALUATED ACCORDING TO THE FOLLOWING:
 - TAS 202-94
 - TAS 203-94
 - ASTM E8-16
- ADEQUACY OF THE EXISTING STRUCTURAL CONCRETE/ MASONRY, 2X AND METAL STUD FRAMING AS A MAIN WIND FORCE RESISTING SYSTEM CAPABLE OF WITHSTANDING AND TRANSFERRING APPLIED PRODUCT LOADS TO THE FOUNDATION IS THE RESPONSIBILITY OF THE ENGINEER OR ARCHITECT OF RECORD FOR THE PROJECT OF INSTALLATION.
- 2X BUCKS (WHEN USED) SHALL BE DESIGNED AND ANCHORED TO PROPERLY TRANSFER ALL LOADS TO THE STRUCTURE. BUCK DESIGN AND INSTALLATION IS THE RESPONSIBILITY OF THE ENGINEER OR ARCHITECT OF RECORD FOR THE PROJECT OF INSTALLATION.
- THE INSTALLATION DETAILS DESCRIBED HEREIN ARE GENERIC AND MAY NOT REFLECT ACTUAL CONDITIONS FOR A SPECIFIC SITE. IF SITE CONDITIONS CAUSE INSTALLATION TO DEVIATE FROM THE REQUIREMENTS DETAILED HEREIN, A LICENSED ENGINEER OR ARCHITECT SHALL PREPARE SITE SPECIFIC DOCUMENTS FOR USE WITH THIS DOCUMENT IN NON-HVHZ AREAS.
- MATERIAL: ALUMINUM 6063-T5
- INSTALLATION OF SOFFIT ACCESSORIES SUCH AS QUICK-SCREEN CLIPS SHALL BE DONE IN ACCORDANCE WITH THE FLORIDA BUILDING CODE AND THE MANUFACTURER'S INSTRUCTIONS.

INSTALLATION NOTES:

- ONE (1) INSTALLATION FASTENER IS REQUIRED AT EACH ANCHOR LOCATION SHOWN.
- INSTALLATION FASTENERS SHALL BE #8 PH SCREWS WITH SUFFICIENT LENGTH TO ACHIEVE 1.5" MIN. EMBEDMENT.
- INSTALLATION FASTENERS SHALL BE AS LISTED AND SPACED AS SHOWN ON DETAILS. FASTENER EMBEDMENT TO BASE MATERIAL SHALL BE BEYOND WALL DRESSING.
- INSTALLATION FASTENERS SHALL BE SPACED 16" O.C. NAILED THROUGH THE QUICK-SCREEN CLIP INTO FRAMING AT EACH END OF THE SOFFIT.
- INSTALLATION FASTENERS AND ASSOCIATED HARDWARE MUST BE MADE OF CORROSION RESISTANT MATERIAL OR HAVE A CORROSION RESISTANT COATING.
- INSTALLATION FASTENERS SHALL BE INSTALLED IN ACCORDANCE WITH ANCHOR MANUFACTURER'S INSTALLATION INSTRUCTIONS, AND FASTENERS SHALL NOT BE USED IN SUBSTRATES WITH STRENGTHS LESS THAN THE MINIMUM STRENGTH SPECIFIED BY THE ANCHOR MANUFACTURER.
- INSTALLATION ANCHOR CAPACITIES FOR PRODUCTS HEREIN ARE BASED ON SUBSTRATE MATERIALS WITH THE FOLLOWING PROPERTIES:
 - WOOD - MINIMUM SPECIFIC GRAVITY OF 0.55.

TABLE OF CONTENTS	
SHEET	SHEET DESCRIPTION
1	GENERAL NOTES, INSTALLATION NOTES AND DESIGN PRESSURE TABLE
2	INSTALLATION DETAILS
3	SOFFIT DETAILS

DESIGN RATING	
ANCHOR SPACING	DESIGN PRESSURE
16"	+/- 121 PSF

TITLE: TONGUE & GROOVE SOFFIT SYSTEM (HVHZ)

GENERAL NOTES, INSTALLATION NOTES & DESIGN PRESSURE TABLE

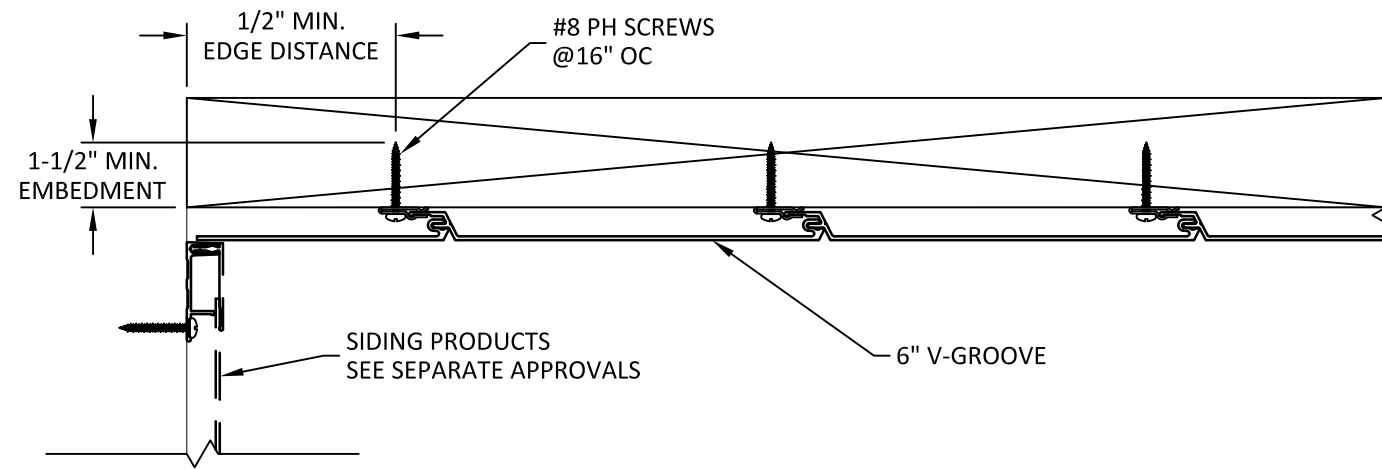
PREPARED BY: BUILDING DROPS, INC.
398 E. DANIA BEACH BLVD., STE. 338
DANIA BEACH, FL 33004
PH: (954) 399-8478
FAX: (954) 744-4738
WEB: www.buildingdrops.com

REMARKS	BY	DATE

THE INSTALLATION DETAILS DESCRIBED HEREIN ARE GENERIC AND MAY NOT REFLECT ACTUAL CONDITIONS FOR A SPECIFIC SITE. IF SITE CONDITIONS CAUSE INSTALLATION TO DEVIATE FROM THE REQUIREMENTS DETAILED HEREIN, A LICENSED ENGINEER OR ARCHITECT SHALL PREPARE SITE SPECIFIC DOCUMENTS FOR USE WITH THIS DOCUMENT.

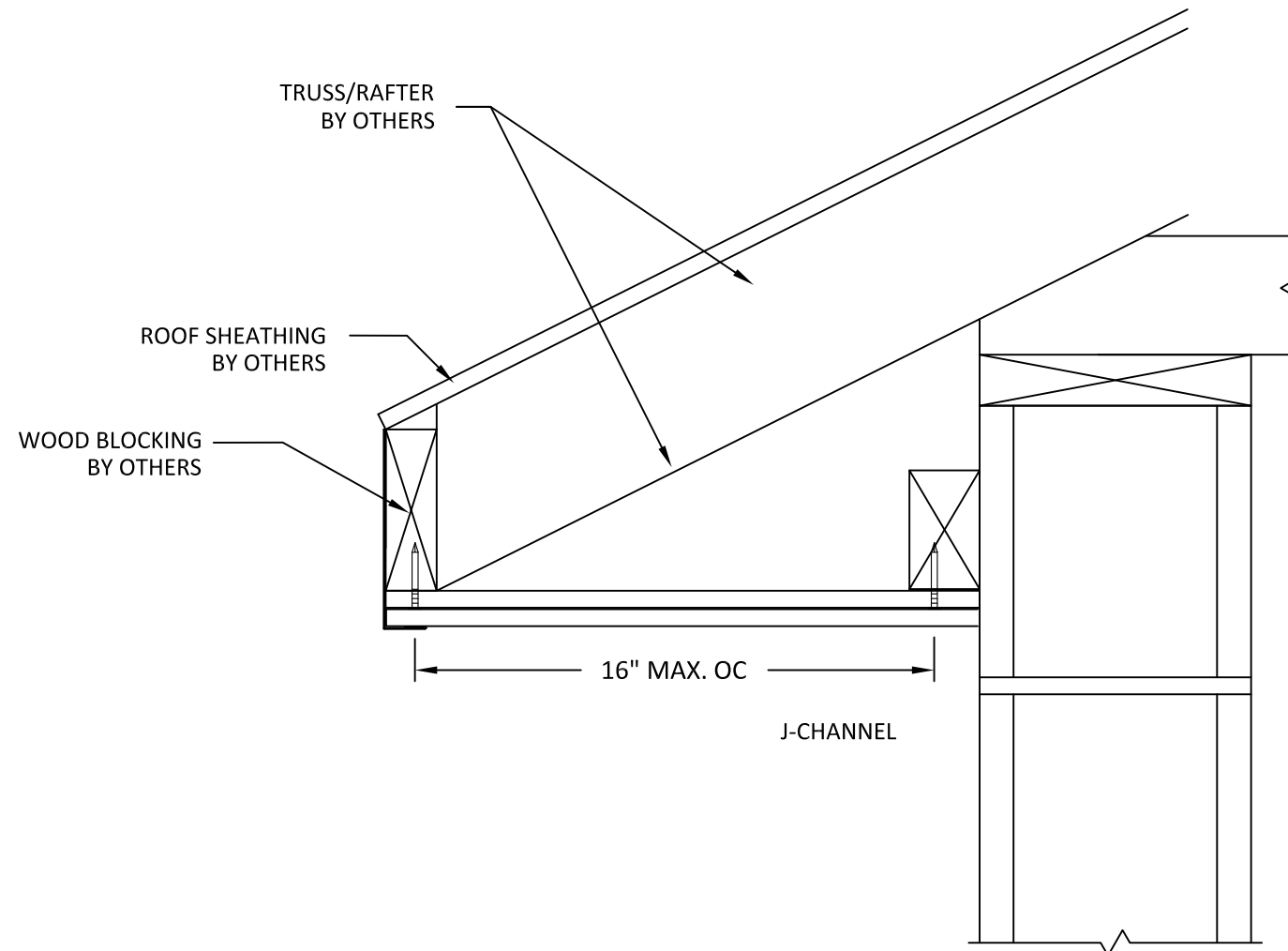
HERMES F. NORERO, P.E.
FLORIDA P.E. No. 73778
BUILDING DROPS, INC.
398 E. DANIA BEACH BLVD. # 338
DANIA BEACH, FL 33004
FBPE CERT. OF AUTHORIZATION No. 29578

FL #:	FL41776
DATE:	10.21.22
DWG. BY:	MS
CHK. BY:	HFN
SCALE:	NTS
DWG. #:	LBD002
SHEET:	1



A
2 INSTALLATION DETAIL
TYPICAL

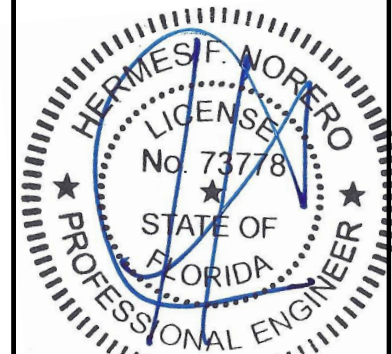
6" V-GROOVE SHOWN,
OTHER PROFILES SIMILAR:
2-1/2" V-GROOVE
4" V-GROOVE
4" V-GROOVE W/ RIB
6" V-GROOVE W/ RIB
6" SMOOTH PLANK
6" V-CHANNEL
6" V-CHANNEL W/ RIB



TITLE: TONGUE & GROOVE SOFFIT SYSTEM (HVHZ)
INSTALLATION DETAILS
PREPARED BY: BUILDING DROPS, INC.
398 E. DANIA BEACH BLVD., STE. 338
DANIA BEACH, FL 33004
PH: (954) 399-8478
FAX: (954) 744-4738
WEB: www.buildingdrops.com

REMARKS	BY	DATE

THE INSTALLATION DETAILS DESCRIBED HEREIN ARE GENERIC AND MAY NOT REFLECT ACTUAL CONDITIONS FOR A SPECIFIC SITE. IF SITE CONDITIONS CAUSE INSTALLATION TO DEVIATE FROM THE REQUIREMENTS DETAILED HEREIN, A LICENSED ENGINEER OR ARCHITECT SHALL PREPARE SITE SPECIFIC DOCUMENTS FOR USE WITH THIS DOCUMENT.



HERMES F. NORERO, P.E.
FLORIDA P.E. No 73778
BUILDING DROPS, INC
398 E. DANIA BEACH BLVD. # 338
DANIA BEACH, FL 33004
FBPE CERT. OF AUTHORIZATION No. 29578

FL #: **FL41776**
DATE: **10.21.22**
DWG. BY: **MS** CHK. BY: **HFN**
SCALE: **NTS**
DWG. #: **LBD002**

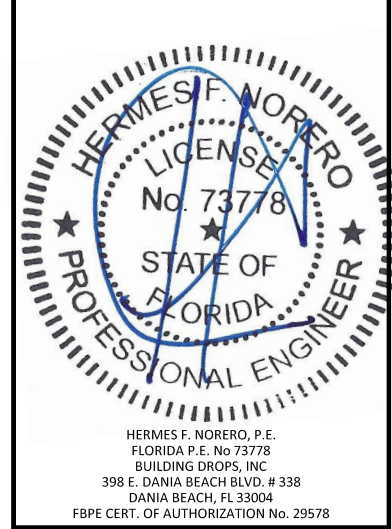
SHEET: **2**
OF 3

s:\projects\longboard architectural products\lbc-22-0936 - fbc submittal - tongue & groove soffit system dwgs\lbd002.dwg 10/16/2022 10:53 AM

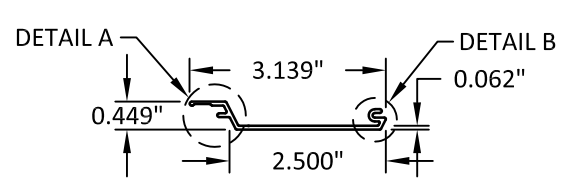
TITLE: TONGUE & GROOVE SOFFIT SYSTEM (HVHZ)
SOFFIT DETAILS
PREPARED BY: BUILDING DROPS, INC.
398 E. DANIA BEACH BLVD., STE. 338
DANIA BEACH, FL 33004
PH: (954) 399-8478
FAX: (954) 744-4738
WEB: www.buildingdrops.com

REMARKS	BY	DATE

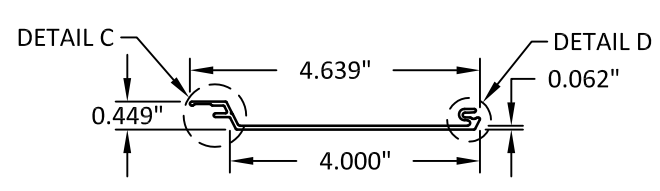
THE INSTALLATION DETAILS DESCRIBED HEREIN ARE GENERIC AND MAY NOT REFLECT ACTUAL CONDITIONS FOR A SPECIFIC SITE. IF SITE CONDITIONS CAUSE INSTALLATION TO DEVIATE FROM THE REQUIREMENTS DETAILED HEREIN, A LICENSED ENGINEER OR ARCHITECT SHALL PREPARE SITE SPECIFIC DOCUMENTS FOR USE WITH THIS DOCUMENT.



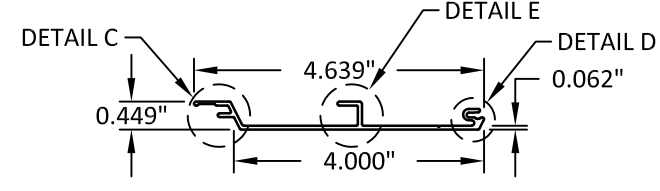
FL #:	FL41776
DATE:	10.21.22
DWG. BY:	MS
CHK. BY:	HFN
SCALE:	NTS
DWG. #:	LBD002
SHEET:	3



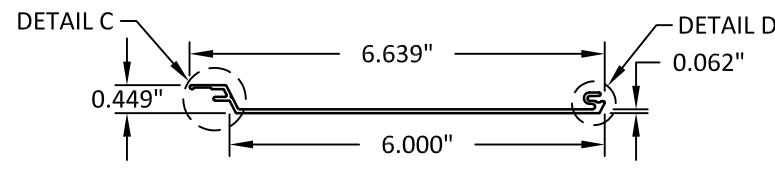
2-1/2" V-GROOVE



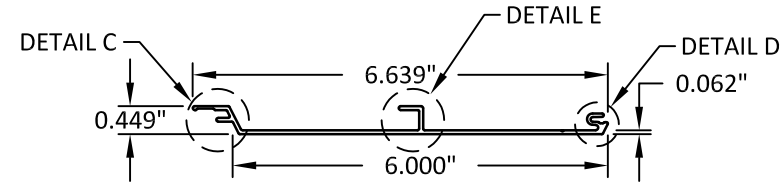
4" V-GROOVE



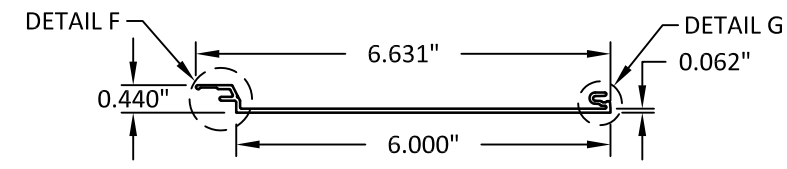
4" V-GROOVE W/ RIB



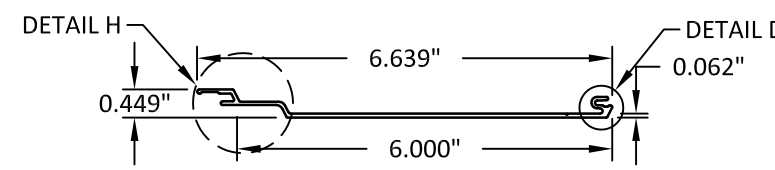
6" V-GROOVE



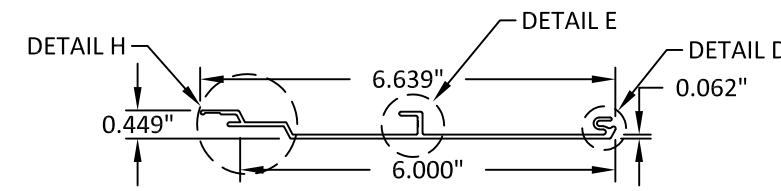
6" V-GROOVE W/ RIB



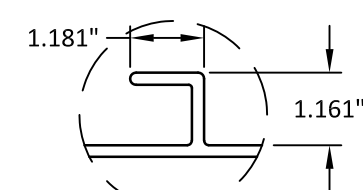
6" SMOOTH PLANK



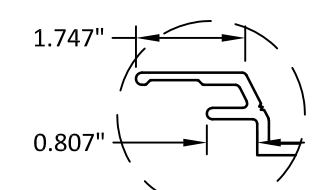
6" CHANNEL



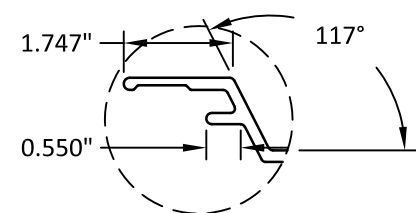
6" CHANNEL W/ RIB



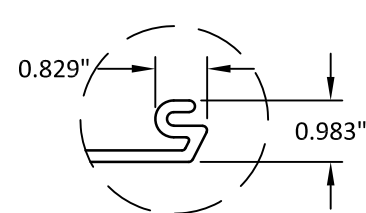
DETAIL E



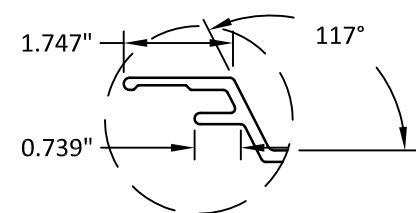
DETAIL F



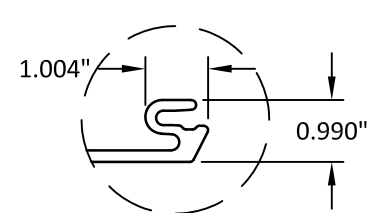
DETAIL A



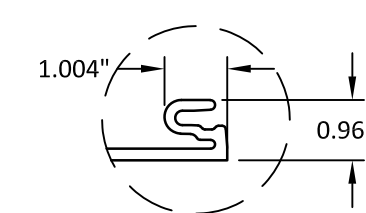
DETAIL B



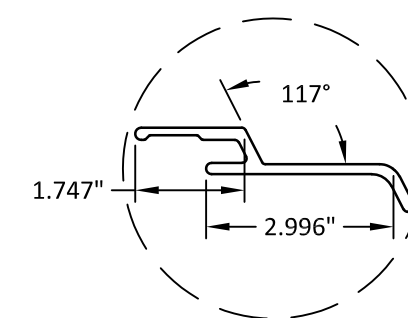
DETAIL C



DETAIL D



DETAIL G



DETAIL H