

REVISIONS			
REV	DESCRIPTION	DATE	APPROVED

NOTES:

1. THE PRODUCT SHOWN HEREIN IS DESIGNED AND MANUFACTURED TO COMPLY WITH REQUIREMENTS OF THE FLORIDA BUILDING CODE INCLUDING THE HVHZ.
2. WOOD FRAMING AND MASONRY OPENING TO BE DESIGNED AND ANCHORED TO PROPERLY TRANSFER ALL LOADS TO STRUCTURE. FRAMING AND MASONRY OPENING IS THE RESPONSIBILITY OF THE ARCHITECT OR ENGINEER OF RECORD.
3. WHERE 1X BUCK IS NOT USED DISSIMILAR MATERIALS MUST BE SEPARATED WITH APPROVED COATING OR MEMBRANE. SELECTION OF COATING OR MEMBRANE IS THE RESPONSIBILITY OF THE ARCHITECT OR ENGINEER OF RECORD.
4. ALLOWABLE STRESS INCREASE OF 1/3 WAS NOT USED IN THE DESIGN OF THE PRODUCT SHOWN HEREIN. WIND LOAD DURATION FACTOR Cd=1.6 WAS USED FOR WOOD ANCHOR CALCULATIONS.
5. FRAME MATERIAL: ALUMINUM 6063-T6, 6063-T5 AND 6005A-T5.
6. UNITS MUST BE GLAZED PER ASTM E1300, SEE SHEET 7 FOR GLASS DETAILS
7. APPROVED IMPACT PROTECTIVE SYSTEM IS NOT REQUIRED FOR THIS PRODUCT IN WIND BORNE DEBRIS REGIONS.
8. SHIM AS REQUIRED AT EACH INSTALLATION ANCHOR WITH LOAD BEARING SHIM. SHIM WHERE SPACE OF 1/16" OR GREATER OCCURS. MAXIMUM ALLOWABLE SHIM STACK TO BE 3/8".
9. FOR ANCHORING INTO WOOD FRAMING OR 2X BUCK USE #14 WOOD SCREWS WITH SUFFICIENT LENGTH TO ACHIEVE A 1 3/4" MINIMUM EMBEDMENT INTO SUBSTRATE. LOCATE ANCHORS AS SHOWN IN ELEVATIONS AND INSTALLATION DETAILS.
10. FOR ANCHORING INTO MASONRY/CONCRETE USE 1/4" TAPCONS WITH SUFFICIENT LENGTH TO ACHIEVE A 1 1/4" MINIMUM EMBEDMENT INTO SUBSTRATE WITH 2" MINIMUM EDGE DISTANCE. LOCATE ANCHORS AS SHOWN IN ELEVATIONS AND INSTALLATION DETAILS.
11. FOR ANCHORING INTO METAL STRUCTURE USE #14 SMS OR SELF DRILLING SCREWS WITH SUFFICIENT LENGTH TO ACHIEVE 3 THREADS MINIMUM BEYOND STRUCTURE INTERIOR WALL. LOCATE ANCHORS AS SHOWN IN ELEVATIONS AND INSTALLATION DETAILS.
12. ALL FASTENERS TO BE CORROSION RESISTANT.
13. INSTALLATION ANCHORS SHALL BE INSTALLED IN ACCORDANCE WITH ANCHOR MANUFACTURER'S INSTALLATION INSTRUCTIONS AND ANCHORS SHALL NOT BE USED IN SUBSTRATES WITH STRENGTHS LESS THAN THE MINIMUM STRENGTH SPECIFIED BELOW:
 - A. WOOD - MINIMUM SPECIFIC GRAVITY OF G=0.42
 - B. CONCRETE - MINIMUM COMPRESSIVE STRENGTH OF 3,000 PSI.
 - C. MASONRY - STRENGTH CONFORMANCE TO ASTM C-90, GRADE N, TYPE 1 (OR GREATER).
 - D. METAL STRUCTURE: STEEL 18GA, 33KSI OR ALUMINUM 6063-T5 .125" THICK MINIMUM

TABLE OF CONTENTS	
SHEET NO.	DESCRIPTION
1	NOTES
2 - 3	ELEVATIONS
4	ANCHORING LAYOUT AND DESIGN PRESSURE CHARTS
5 - 11	CROSS SECTIONS
12 - 14	INSTALLATION DETAILS
15	WEEP DETAILS
16	COMPONENTS

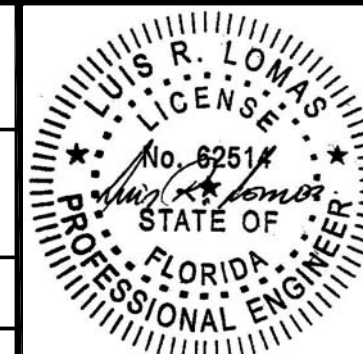
THERMA-TRU CORPORATION
1750 INDIAN WOOD CIRCLE
MAUMEE, OH 43537

SERIES V-2 FGW 3X8 PANEL OUTFOLD
ALUMINUM REINFORCED - IMPACT - HVHZ
NOTES

DRAWN: R.L.	DWG NO. 08-03863	REV -
SCALE NTS	DATE 11/02/22	SHEET 1 OF 16

L. ROBERTO LOMAS P.E.
400 S. PALM AVE, INDIAN LANTIC, FL 32903
434-688-0609 rllomas@rlomaspe.com

SIGNED: 04/11/2023



Luis R. Lomas P.E.
FL No.: 62514

REVISIONS			
REV	DESCRIPTION	DATE	APPROVED

DESIGN PRESSURE RATING	IMPACT RATING
+60.0/-80.0PSF	LARGE AND SMALL MISSILE IMPACT

MISSILE LEVEL D, WIND ZONE 4, AND HVHZ
WHERE WATER RESISTANCE IS REQUIRED, SEE CHART #1 SHEET 4

DESIGN PRESSURE RATING	IMPACT RATING
±80.0PSF	LARGE AND SMALL MISSILE IMPACT

MISSILE LEVEL D, WIND ZONE 4, AND HVHZ
WHERE WATER RESISTANCE IS NOT REQUIRED, SEE CHART #2 SHEET 4

DESIGN PRESSURE RATING	IMPACT RATING
+60.0/-65.0PSF	LARGE AND SMALL MISSILE IMPACT

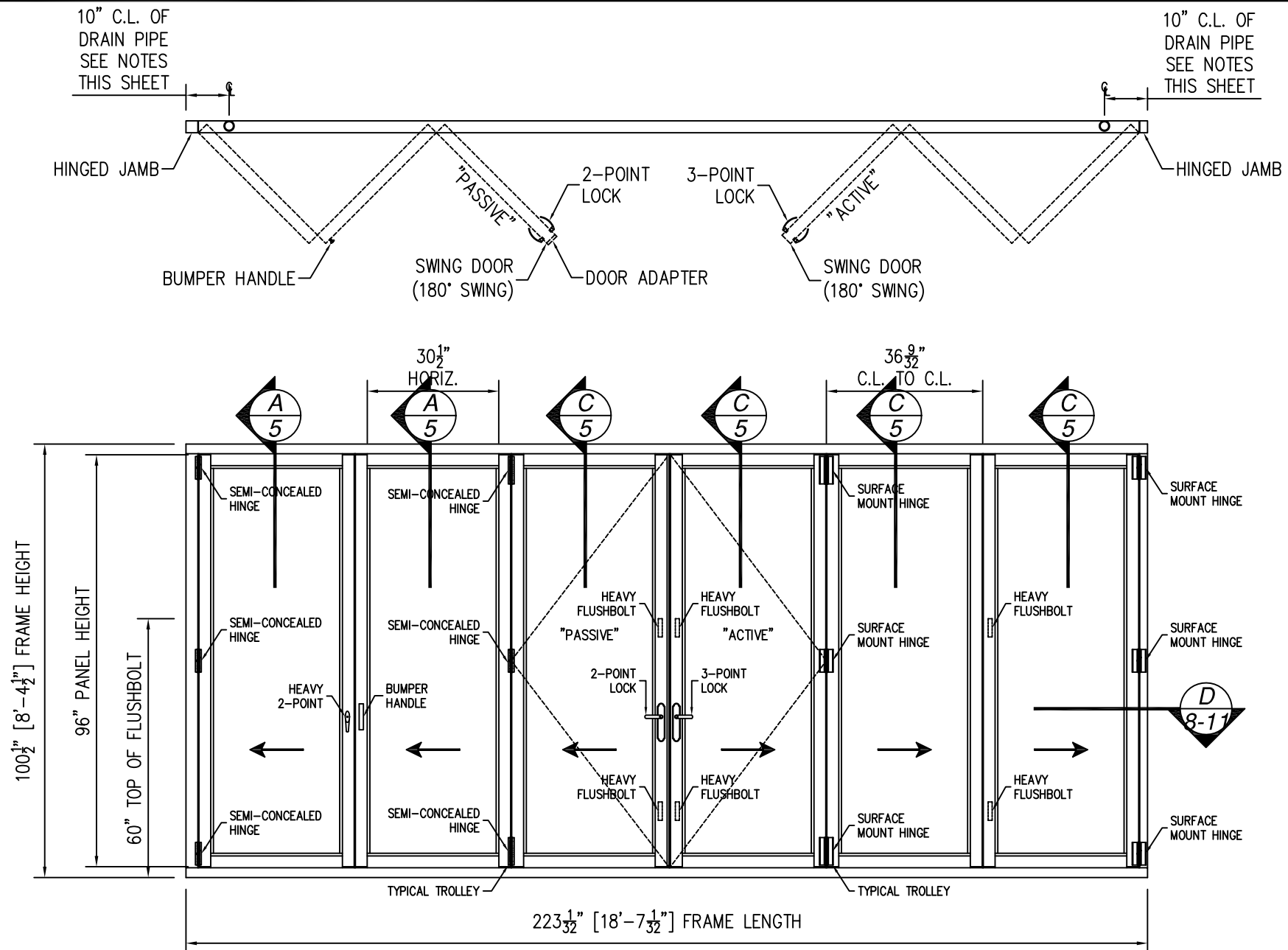
MISSILE LEVEL D, WIND ZONE 4, AND HVHZ
WITH PANIC BAR OPTION, SEE CHART #3 SHEET 4

DESIGN PRESSURE RATING	IMPACT RATING
+60.0/-70.0PSF	LARGE AND SMALL MISSILE IMPACT

MISSILE LEVEL D, WIND ZONE 4, AND HVHZ
WITH FLUSH SILL, SEE CHART #4 SHEET 4

DESIGN PRESSURE RATING	IMPACT RATING
+60.0/-70.0PSF	LARGE AND SMALL MISSILE IMPACT

MISSILE LEVEL D, WIND ZONE 4, AND HVHZ
WITH NON-THERMAL PANEL, SEE CHART #4 SHEET 4



SERIES V-2 FGW 3X8 PANEL OUTFOLD FGW
EXTERIOR VIEW

UNLIMITED NUMBER OF PANELS IN UNLIMITED CONFIGURATION ARE APPROVED
AS LONG AS INDIVIDUAL PANEL AREA DOES NOT EXCEED 24.0FT² AND USES VERTICAL CONDITIONS AS
SHOWN AND DOES NOT EXCEED FRAME AREA OF 155.6FT².

HARDWARE SCHEDULE

A. SEMI-CONCEALED HINGE BY THERMA-TRU
B. 2 POINT HANDLE & LOCK MS000487-XX BY THERMA-TRU
C. 3 POINT HANDLE & LOCK BY THERMA-TRU
D. HEAVY FLUSH BOLTS MS000442-00-XX BY THERMA-TRU
E. SURFACE MOUNT HINGE BY THERMA-TRU
F. PANIC BAR BY THERMA-TRU (OPTIONAL)

NOTES:

- PANEL SIZE: 36" X 96"
- PANEL D.L.O.: 29" X 89"
- DRAIN TUBE IS ONLY INSTALLED WITH RECESSED SILL TYPES

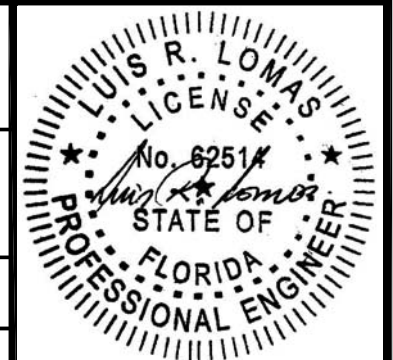
SIGNED: 04/11/2023

THERMA-TRU CORPORATION
1750 INDIAN WOOD CIRCLE
MAUMEE, OH 43537

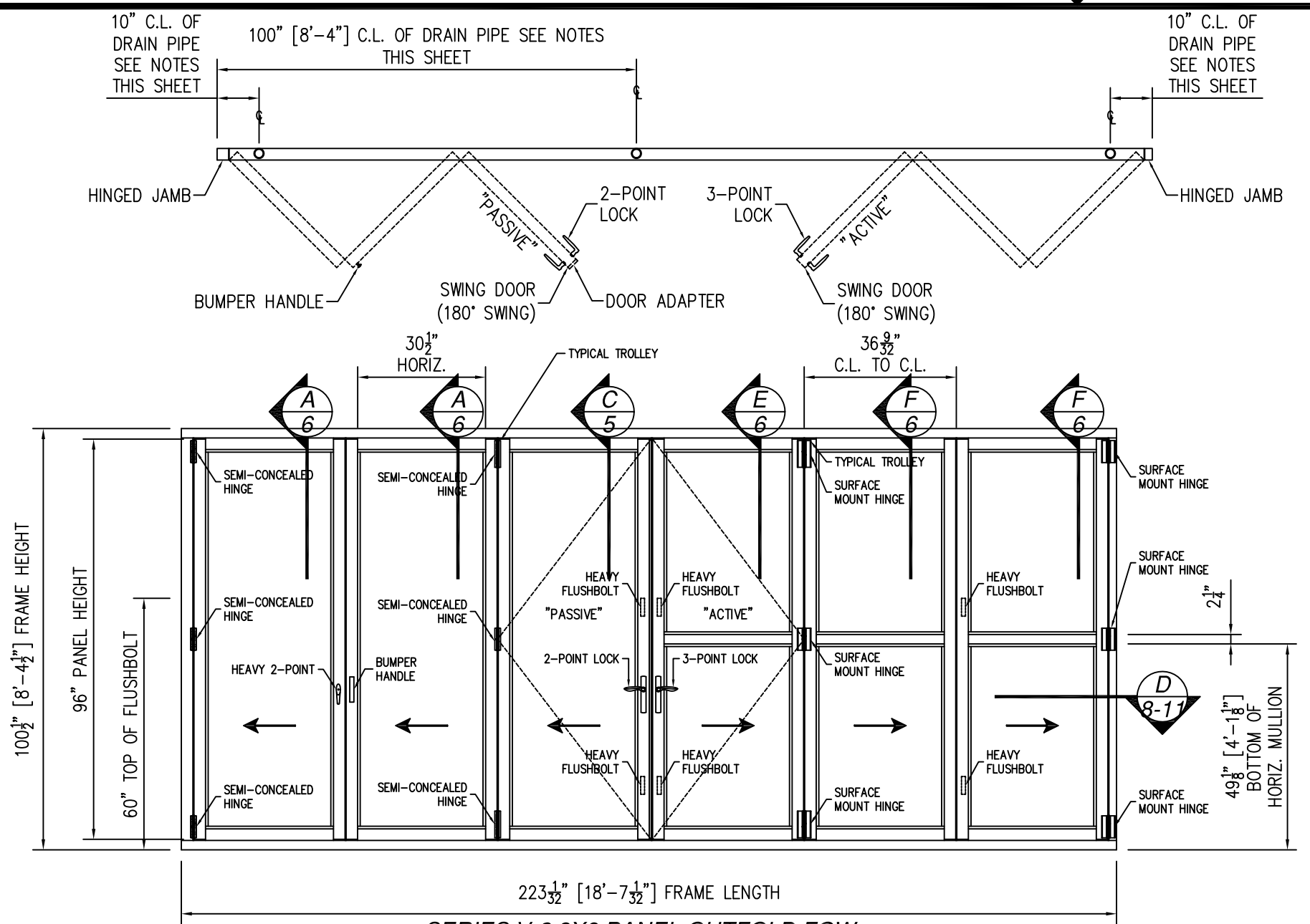
SERIES V-2 FGW 3X8 PANEL OUTFOLD
ALUMINUM REINFORCED - IMPACT - HVHZ
ELEVATION

DRAWN: R.L.	DWG NO. 08-03863	REV -
SCALE NTS	DATE 11/02/22	SHEET 2 OF 16

L. ROBERTO LOMAS P.E.
400 S. PALM AVE, INDIALANTIC, FL 32903
434-688-0609 rllomas@rlomaspe.com



Luis R. Lomas P.E.
FL No.: 62514



SERIES V-2 3X8 PANEL OUTFOLD FGW

EXTERIOR VIEW

UNLIMITED NUMBER OF PANELS IN UNLIMITED CONFIGURATION ARE APPROVED AS LONG AS INDIVIDUAL PANEL AREA DOES NOT EXCEED 24.0FT² AND USES VERTICAL CONDITIONS AS SHOWN.

REVISIONS			
REV	DESCRIPTION	DATE	APPROVED

DESIGN PRESSURE RATING	IMPACT RATING
+60.0/-80.0PSF	LARGE AND SMALL MISSILE IMPACT

MISSILE LEVEL D, WIND ZONE 4, AND HVHZ WHERE WATER RESISTANCE IS REQUIRED, SEE CHART #1 SHEET 4

DESIGN PRESSURE RATING	IMPACT RATING
±80.0PSF	LARGE AND SMALL MISSILE IMPACT

MISSILE LEVEL D, WIND ZONE 4, AND HVHZ WHERE WATER RESISTANCE IS NOT REQUIRED, SEE CHART #2 SHEET 4

DESIGN PRESSURE RATING	IMPACT RATING
+60.0/-65.0PSF	LARGE AND SMALL MISSILE IMPACT

MISSILE LEVEL D, WIND ZONE 4, AND HVHZ WITH PANIC BAR OPTION, SEE CHART #3 SHEET 4

DESIGN PRESSURE RATING	IMPACT RATING
+60.0/-70.0PSF	LARGE AND SMALL MISSILE IMPACT

MISSILE LEVEL D, WIND ZONE 4, AND HVHZ WITH FLUSH SILL, SEE CHART #4 SHEET 4

DESIGN PRESSURE RATING	IMPACT RATING
+60.0/-70.0PSF	LARGE AND SMALL MISSILE IMPACT

MISSILE LEVEL D, WIND ZONE 4, AND HVHZ WITH NON-THERMAL PANEL, SEE CHART #4 SHEET 4

HARDWARE SCHEDULE	
A.	SEMI-CONCEALED HINGE BY THERMA-TRU
B.	2 POINT HANDLE & LOCK MS000487-XX BY THERMA-TRU
C.	3 POINT HANDLE & LOCK BY THERMA-TRU
D.	HEAVY FLUSH BOLTS MS000442-00-XX BY THERMA-TRU
E.	SURFACE MOUNT HINGE BY THERMA-TRU
F.	PANIC BAR BY THERMA-TRU (OPTIONAL)

- NOTES:
- PANEL SIZE: 36" X 96"
 - PANEL D.L.O.: 29" X 89"
 - DRAIN TUBE IS ONLY INSTALLED WITH RECESSED SILL TYPES

SIGNED: 04/11/2023

THERMA-TRU CORPORATION
 1750 INDIAN WOOD CIRCLE
 MAUMEE, OH 43537

SERIES V-2 FGW 3X8 PANEL OUTFOLD
 ALUMINUM REINFORCED - IMPACT - HVHZ
 ELEVATION

DRAWN: R.L.	DWG NO. 08-03863	REV -
SCALE NTS	DATE 11/02/22	SHEET 3 OF 16

L. ROBERTO LOMAS P.E.
 400 S. PALM AVE, INDIALANTIC, FL 32903
 434-688-0609 rllomas@rlomaspe.com

Luis R. Lomas P.E.
 FL No.: 62514

REVISIONS			
REV	DESCRIPTION	DATE	APPROVED

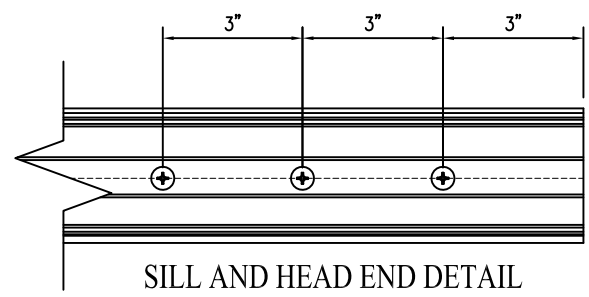
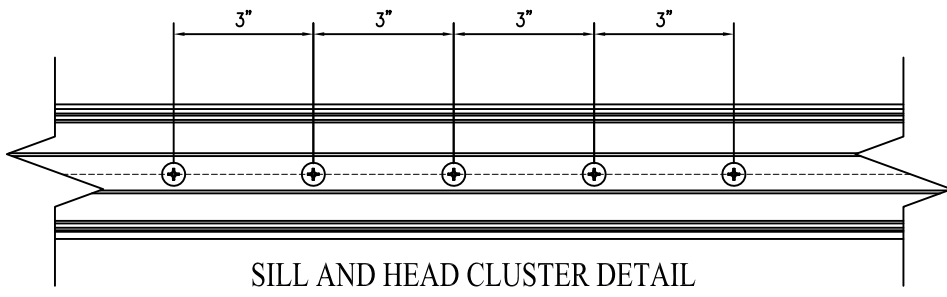
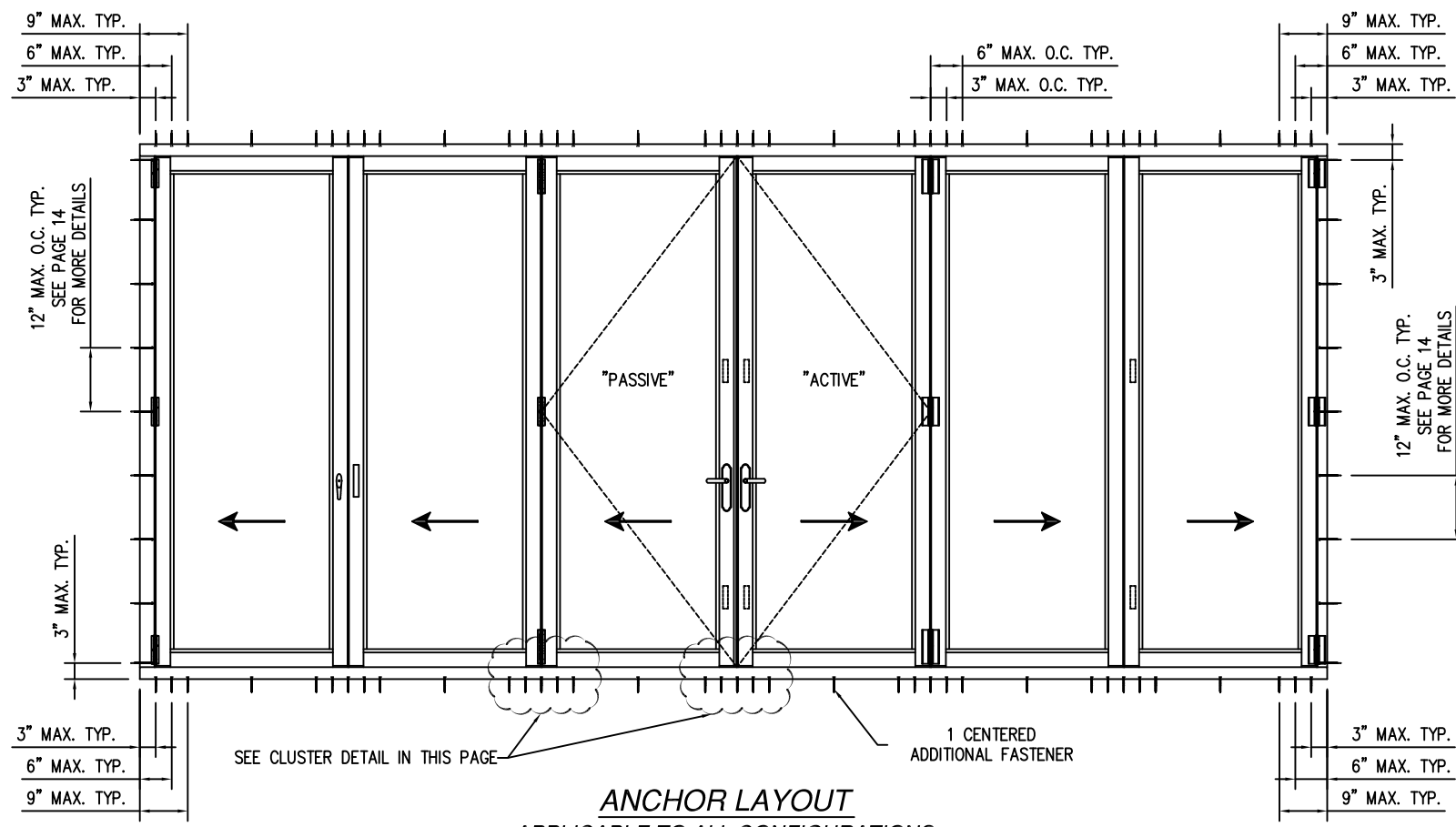


Chart #1

Maximum Design pressure (psf)										
Panel Height (in)	Single Panel Width (in)									
	24.0		30.0		36.0		42.0		44.0	
	Pos	Neg	Pos	Neg	Pos	Neg	Pos	Neg	Pos	Neg
78.0	60.0	80.0	60.0	80.0	60.0	80.0	60.0	80.0	60.0	80.0
84.0	60.0	80.0	60.0	80.0	60.0	80.0	-	-	-	-
90.0	60.0	80.0	60.0	80.0	60.0	80.0	-	-	-	-
96.0	60.0	80.0	60.0	80.0	60.0	80.0	-	-	-	-
102.0	60.0	80.0	60.0	78.3	-	-	-	-	-	-
108.0	60.0	80.0	60.0	65.7	-	-	-	-	-	-
114.0	60.0	68.9	55.7	55.7	-	-	-	-	-	-
120.0	59.0	59.0	-	-	-	-	-	-	-	-
126.0	50.9	50.9	-	-	-	-	-	-	-	-
132.0	44.2	44.2	-	-	-	-	-	-	-	-
138.0	38.6	38.6	-	-	-	-	-	-	-	-
144.0	34.0	34.0	-	-	-	-	-	-	-	-

Chart #2

Maximum Design pressure (psf)										
Panel Height (in)	Single Panel Width (in)									
	24.0		30.0		36.0		42.0		44.0	
	Pos	Neg	Pos	Neg	Pos	Neg	Pos	Neg	Pos	Neg
78.0	80.0	80.0	80.0	80.0	80.0	80.0	80.0	80.0	80.0	80.0
84.0	80.0	80.0	80.0	80.0	80.0	80.0	-	-	-	-
90.0	80.0	80.0	80.0	80.0	80.0	80.0	-	-	-	-
96.0	80.0	80.0	80.0	80.0	80.0	80.0	-	-	-	-
102.0	80.0	80.0	78.3	78.3	-	-	-	-	-	-
108.0	80.0	80.0	65.7	65.7	-	-	-	-	-	-
114.0	68.9	68.9	55.7	55.7	-	-	-	-	-	-
120.0	59.0	59.0	-	-	-	-	-	-	-	-
126.0	50.9	50.9	-	-	-	-	-	-	-	-
132.0	44.2	44.2	-	-	-	-	-	-	-	-
138.0	38.6	38.6	-	-	-	-	-	-	-	-
144.0	34.0	34.0	-	-	-	-	-	-	-	-

Chart #3

Maximum Design pressure (psf)										
Panel Height (in)	Single Panel Width (in)									
	24.0		30.0		36.0		42.0		44.0	
	Pos	Neg	Pos	Neg	Pos	Neg	Pos	Neg	Pos	Neg
78.0	60.0	65.0	60.0	65.0	60.0	65.0	60.0	65.0	60.0	65.0
84.0	60.0	65.0	60.0	65.0	60.0	65.0	-	-	-	-
90.0	60.0	65.0	60.0	65.0	60.0	65.0	-	-	-	-
96.0	60.0	65.0	60.0	65.0	60.0	65.0	-	-	-	-
102.0	60.0	65.0	60.0	63.6	-	-	-	-	-	-
108.0	60.0	65.0	53.4	53.4	-	-	-	-	-	-
114.0	56.0	56.0	45.2	45.2	-	-	-	-	-	-
120.0	47.9	47.9	-	-	-	-	-	-	-	-
126.0	41.3	41.3	-	-	-	-	-	-	-	-
132.0	35.9	35.9	-	-	-	-	-	-	-	-
138.0	31.4	31.4	-	-	-	-	-	-	-	-
144.0	27.6	27.6	-	-	-	-	-	-	-	-

Chart #4

Maximum Design pressure (psf)										
Panel Height (in)	Single Panel Width (in)									
	24.0		30.0		36.0		42.0		44.0	
	Pos	Neg	Pos	Neg	Pos	Neg	Pos	Neg	Pos	Neg
78.0	60.0	80.0	60.0	80.0	60.0	80.0	60.0	73.8	60.0	70.5
84.0	60.0	80.0	60.0	80.0	60.0	80.0	-	-	-	-
90.0	60.0	80.0	60.0	80.0	60.0	74.7	-	-	-	-
96.0	60.0	80.0	60.0	80.0	60.0	70.0	-	-	-	-
102.0	60.0	80.0	60.0	68.5	-	-	-	-	-	-
108.0	60.0	71.1	57.5	57.5	-	-	-	-	-	-
114.0	60.0	60.3	48.7	48.7	-	-	-	-	-	-
120.0	51.6	51.6	-	-	-	-	-	-	-	-
126.0	44.5	44.5	-	-	-	-	-	-	-	-
132.0	38.7	38.7	-	-	-	-	-	-	-	-
138.0	33.8	33.8	-	-	-	-	-	-	-	-
144.0	29.7	29.7	-	-	-	-	-	-	-	-

SIGNED: 04/11/2023

THERMA-TRU CORPORATION
1750 INDIAN WOOD CIRCLE
MAUMEE, OH 43537

SERIES V-2 FGW 3X8 PANEL OUTFOLD
ALUMINUM REINFORCED - IMPACT - HVHZ
ANCHORING LAYOUT AND DESIGN PRESSURE CHARTS

DRAWN: R.L. DWG NO. 08-03863 REV -

SCALE NTS DATE 11/02/22 SHEET 4 OF 16

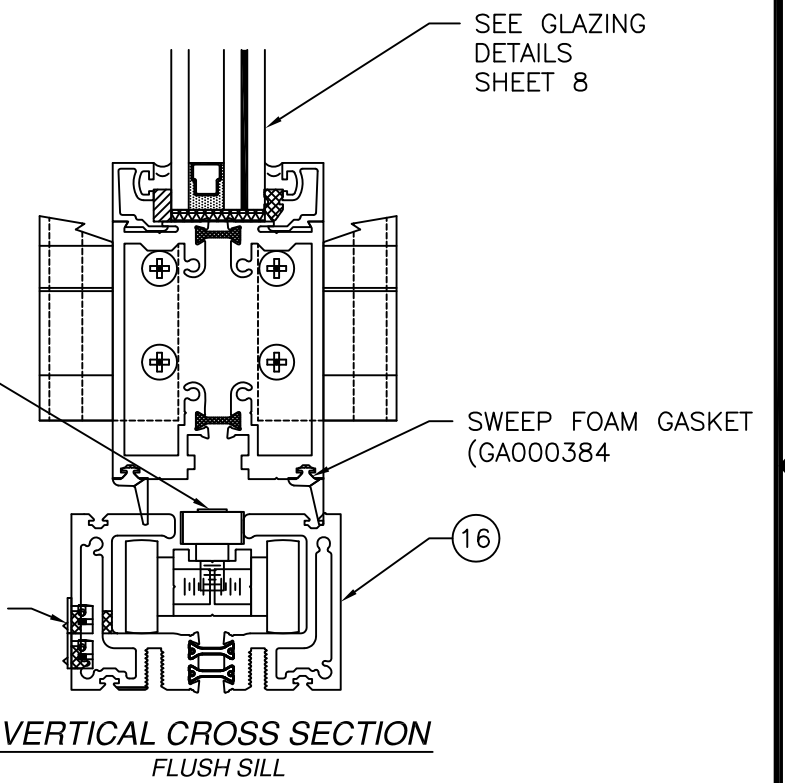
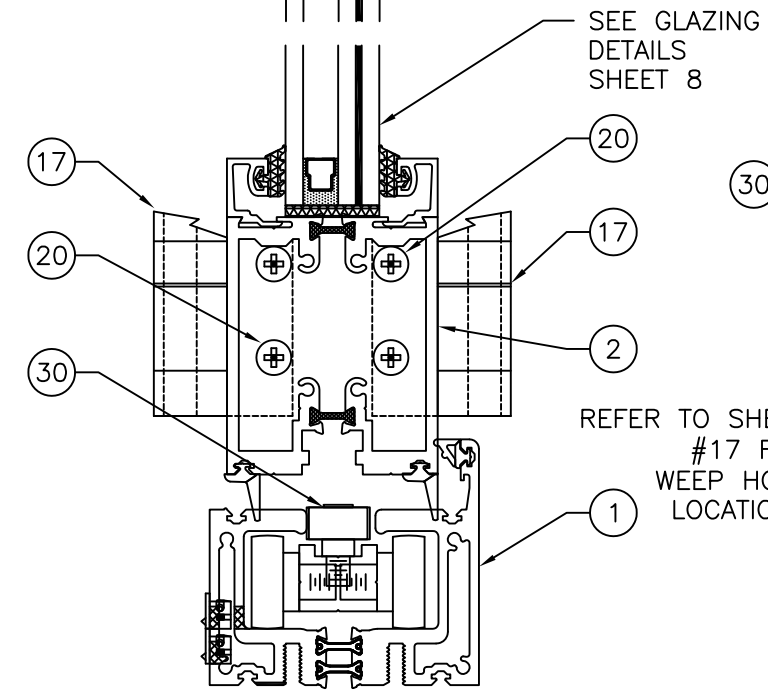
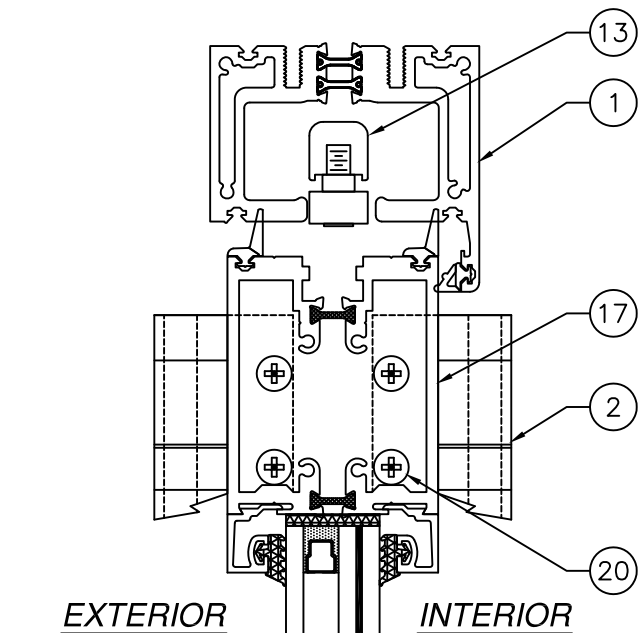
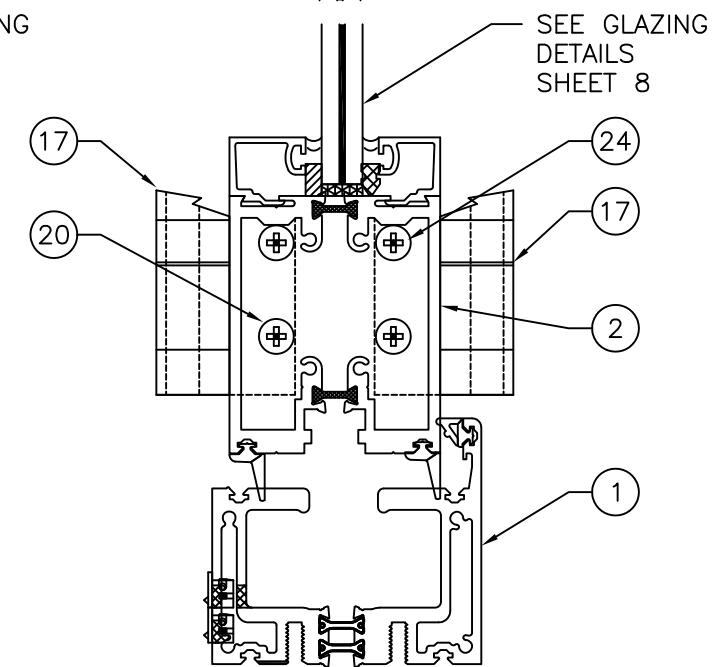
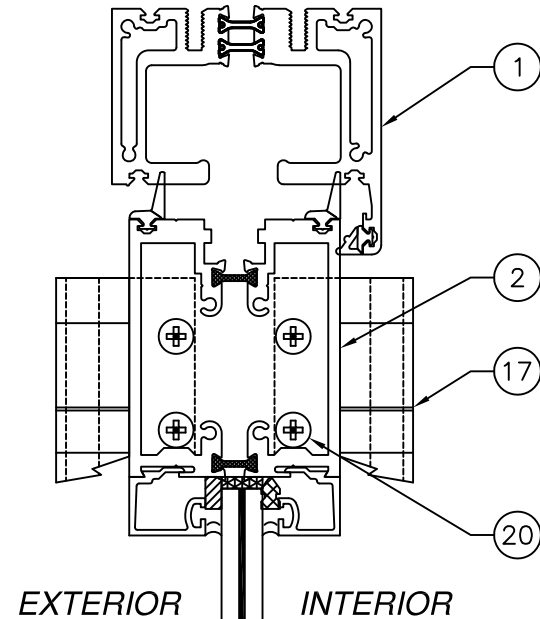
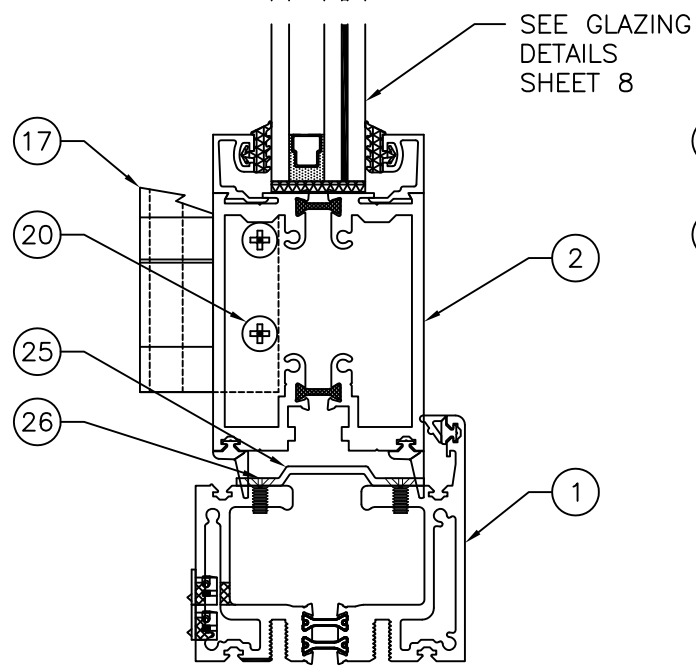
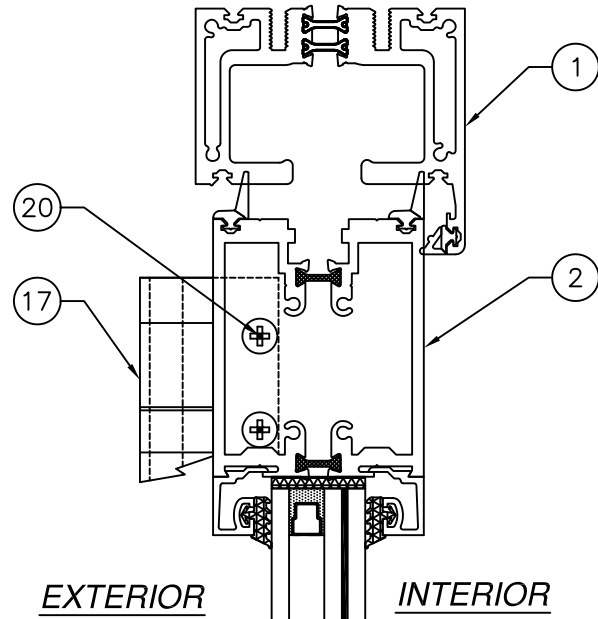
L. ROBERTO LOMAS P.E.
400 S. PALM AVE, INDIANLANTIC, FL 32903
434-688-0609 rllomas@rlomaspe.com

Professional Engineer Seal for Luis R. Lomas, No. 62514, State of Florida.

Luis R. Lomas P.E.
FL No.: 62514

FOR ILLUSTRATION PURPOSES ONLY
FOR INSTALLATION DETAILS REFER TO SHEETS 13 -15

REVISIONS			
REV	DESCRIPTION	DATE	APPROVED



A
5
VERTICAL CROSS SECTION

B
5
VERTICAL CROSS SECTION

C
5
VERTICAL CROSS SECTION
BOTTOM LOAD

VERTICAL CROSS SECTION
FLUSH SILL

SIGNED: 04/11/2023

THERMA-TRU CORPORATION
1750 INDIAN WOOD CIRCLE
MAUMEE, OH 43537

SERIES V-2 FGW 3X8 PANEL OUTFOLD
ALUMINUM REINFORCED - IMPACT - HVHZ
VERTICAL CROSS SECTIONS

DRAWN: R.L.	DWG NO. 08-03863	REV -
SCALE NTS	DATE 11/02/22	SHEET 5 OF 16

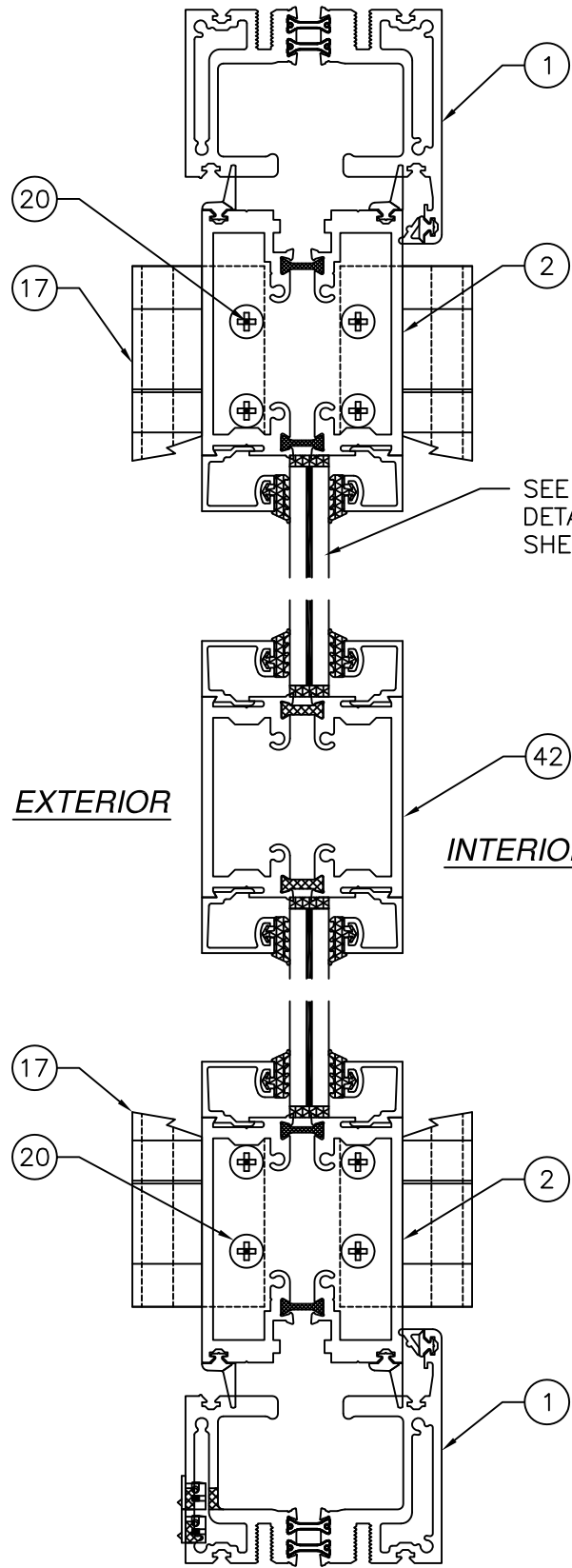
L. ROBERTO LOMAS P.E.
400 S. PALM AVE, INDIALANTIC, FL 32903
434-688-0609 rllomas@rlomaspe.com

Professional Engineer Seal for Luis R. Lomas, No. 62514, State of Florida.

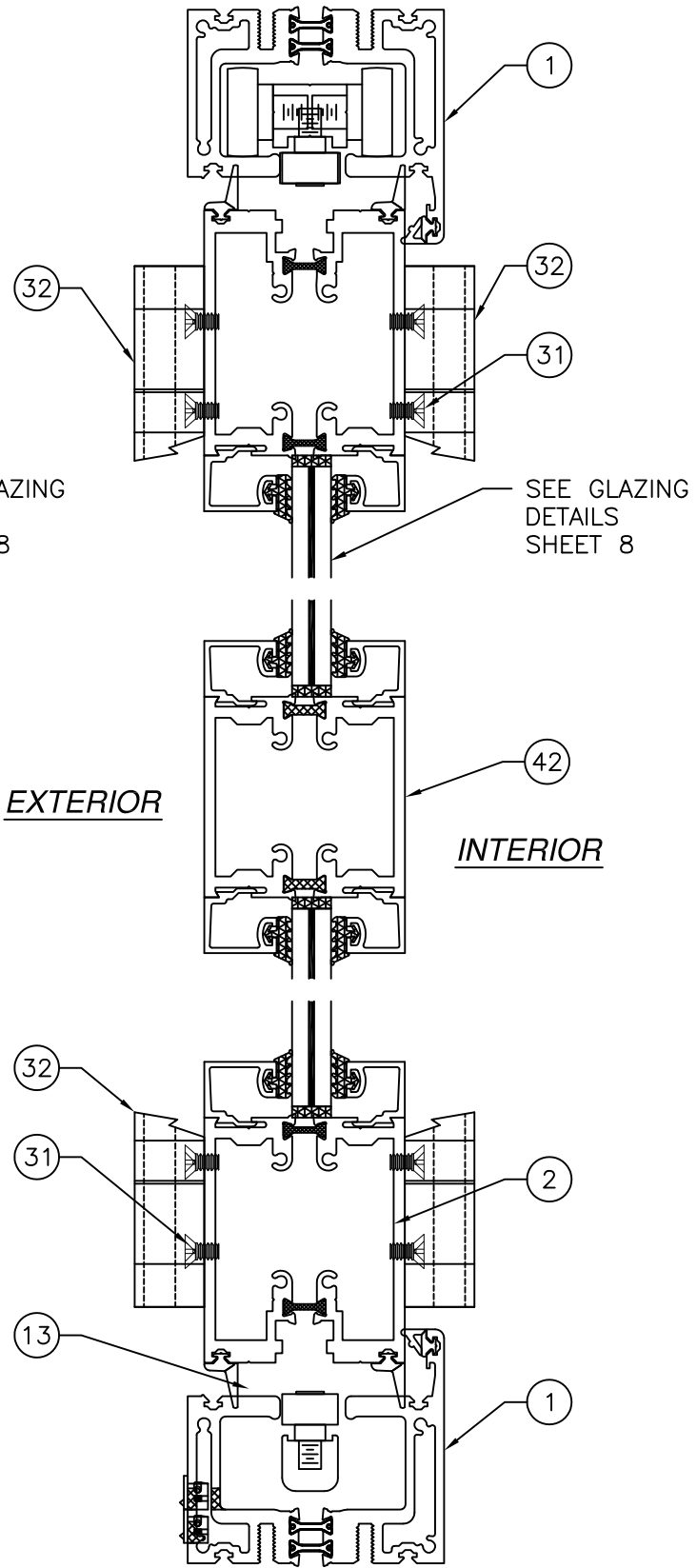
Luis R. Lomas P.E.
FL No.: 62514

FOR ILLUSTRATION PURPOSES ONLY
 FOR INSTALLATION DETAILS REFER TO SHEETS 13 -15

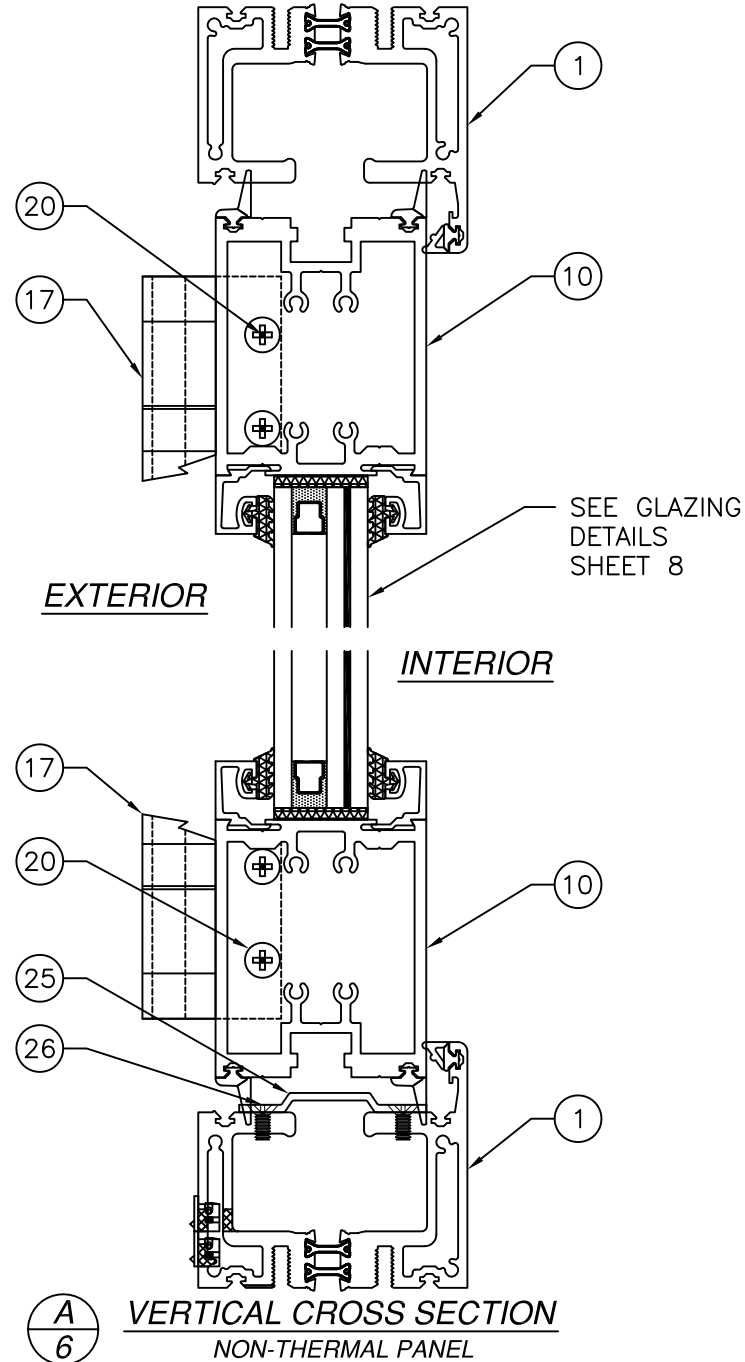
REVISIONS			
REV	DESCRIPTION	DATE	APPROVED



E
6 VERTICAL CROSS SECTION



F
6 VERTICAL CROSS SECTION
TOP LOAD



A
6 VERTICAL CROSS SECTION
NON-THERMAL PANEL

THERMA-TRU CORPORATION
 1750 INDIAN WOOD CIRCLE
 MAUMEE, OH 43537

SERIES V-2 FGW 3X8 PANEL OUTFOLD
 ALUMINUM REINFORCED - IMPACT - HVHZ
 VERTICAL CROSS SECTIONS

DRAWN: R.L.	DWG NO. 08-03863	REV -
SCALE NTS	DATE 11/02/22	SHEET 6 OF 16

L. ROBERTO LOMAS P.E.
 400 S. PALM AVE, INDIAN LANTIC, FL 32903
 434-688-0609 rllomas@rlomaspe.com

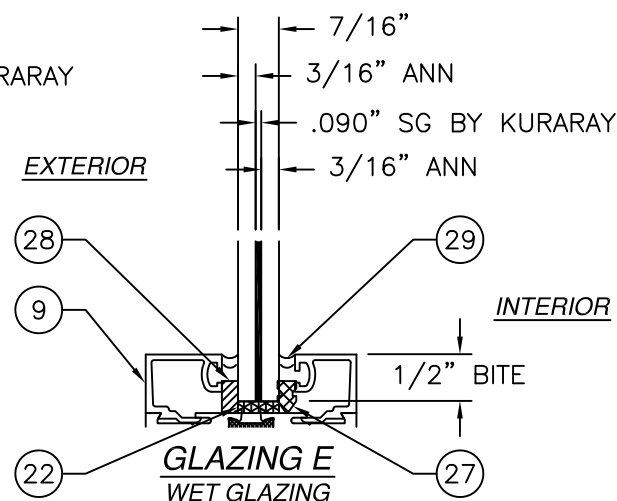
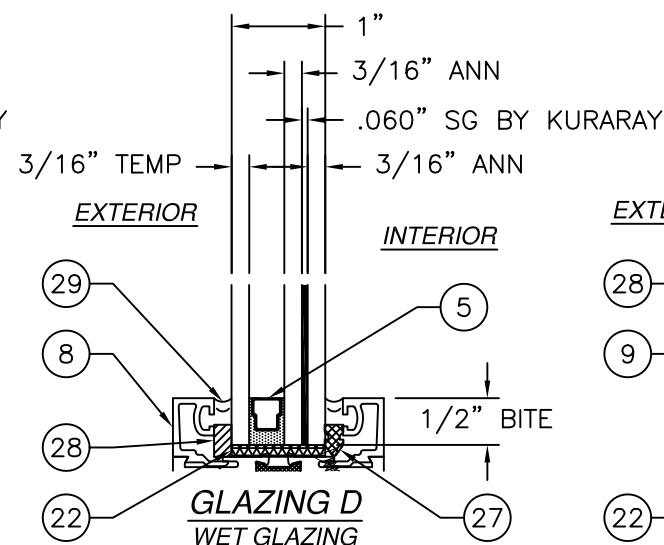
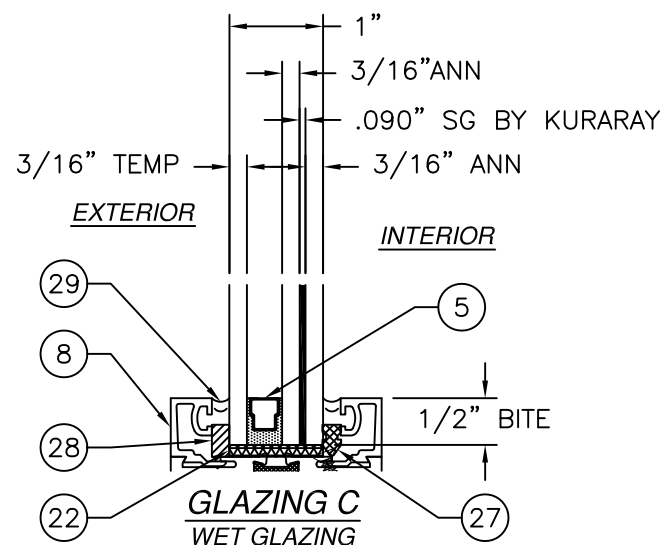
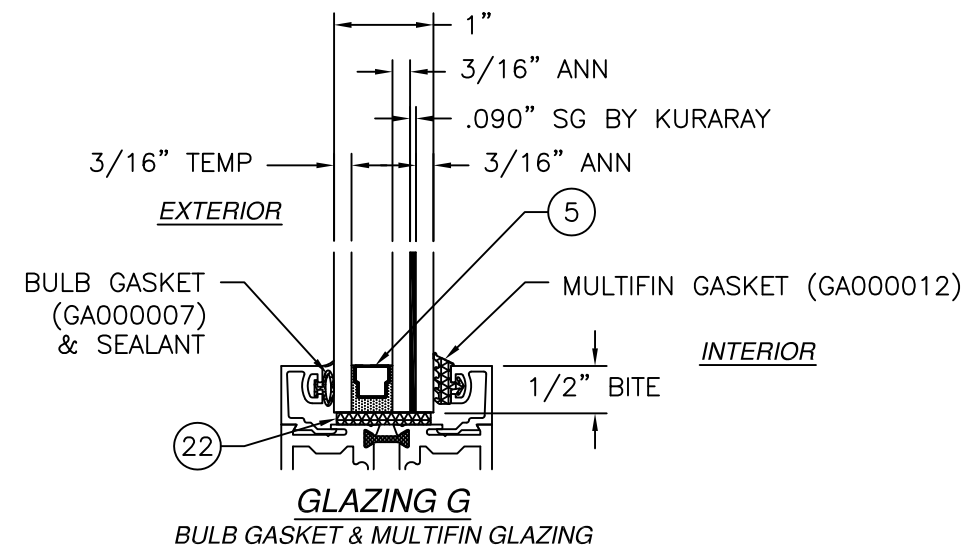
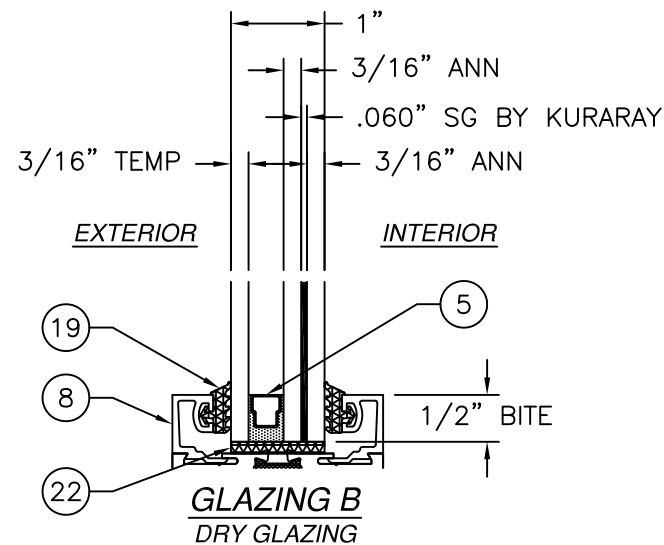
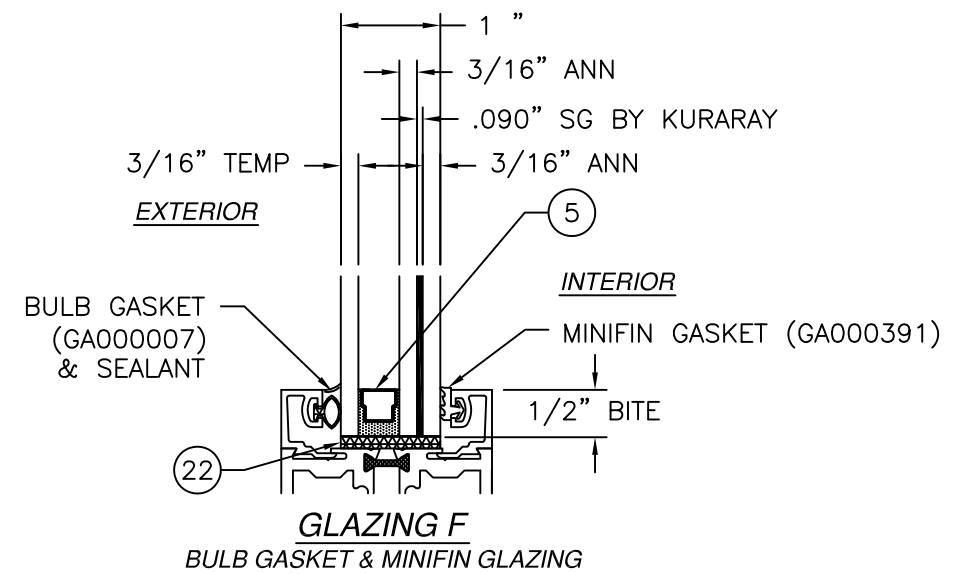
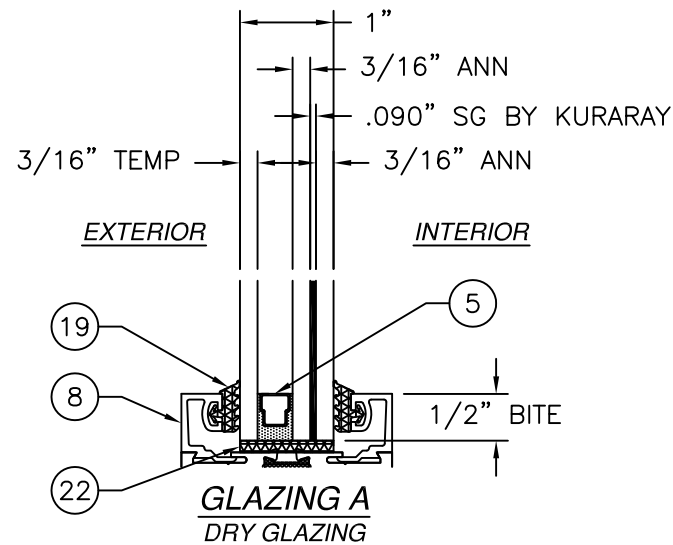
SIGNED: 04/11/2023



Luis R. Lomas P.E.
 FL No.: 62514

BILL OF MATERIALS			
ITEM NO.:	PART NUMBER	DESCRIPTION	MATERIAL
1	EA012997	DUAL WHEEL HEAD/SILL ASSY	ALUMINUM 6063-T5
2	S45004	REGULAR THERMAL FRAME	ALUMINUM 6063-T5
3	S54168	FRAME CAP	ALUMINUM 6063-T5
4	H07559	FRAME LUG	
5	TLP250	DESICCANT FILLED SPACER SYSTEM	
6	47086	HANDLE LOW PROFILE	ALUMINUM 6063-T5
7	45995	HANDLE RECESSED/FLUSH	ALUMINUM 6063-T5
8	34713	GLASS STOP 1"	ALUMINUM 6063-T5
9	34714	GLASS STOP 9/16"	ALUMINUM 6063-T5
10	12862	NON-THERMAL FRAME	ALUMINUM 6063-T5
11	H11722	HINGE EXTENSION HEAVY	ALUMINUM 6063-T5
12	S50311	TROLLY BODY	ALUMINUM 6063-T5
13	S34717	IDLER BODY	ALUMINUM 6063-T5
14	H07606	HINGE	ALUMINUM 6063-T5
15	S34841	HINGE COVER	ALUMINUM 6063-T5
16	12497/13486	FLUSH SILL	ALUMINUM 6063-T5
17	H10684	HINGE SEMI CONCEALED	ALUMINUM 6063-T5
18	S47543	FRAME NARROW THERMAL	ALUMINUM 6063-T5
19	GA000012	MULTIFIN GASKET	EPDM 70 SHORE A
20	FA000447	#10-32 X 5/8" FH SS SCREW	
21	549375	REGULAR RAIL INSERT	ALUMINUM 6063-T5
22		1/8" SETTING BLOCK	
23		2 POINT LOCK	
24		3 POINT LOCK	
25	S59568	TROLLY COVER	ALUMINUM 6063-T5
26	FA001037	#8-32 X 1/4" CS MS	
27	GA000017	ARROW SHIM	
28		1/8" HARD SHIM	
29		SILPRUF	
30		TROLLY ASSY BOTTOM LOAD	ALUMINUM 6063-T5
31		#10-32 X 3/8" FH SMS	
32		SURFACE MOUNT HINGE	ALUMINUM 6063-T5
33		#12 X 1" FH SLEF DRILLING SCREW	
34	GA000352	GASKET GEN 3	
35		2 POINT LOCK	
36		#10-32 X 1" CS MS	
37	52262	SLIDE-IN DOOR STOP	ALUMINUM 6063-T5
38	GA000022-00-02	BULB GASKET	
39	40921	DOOR ADAPTER	ALUMINUM 6063-T5
40		FLUSH BOLT	
41	GA000384	FOAM SWEEP GASKET	
42	44793	MULLION	ALUMINUM 6063-T5

REVISIONS			
REV	DESCRIPTION	DATE	APPROVED



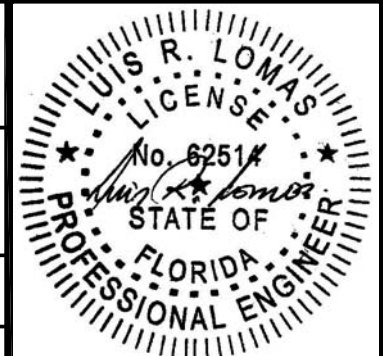
SIGNED: 04/11/2023

THERMA-TRU CORPORATION
1750 INDIAN WOOD CIRCLE
MAUMEE, OH 43537

SERIES V-2 FGW 3X8 PANEL OUTFOLD
ALUMINUM REINFORCED - IMPACT - HVHZ
GLAZING DETAILS

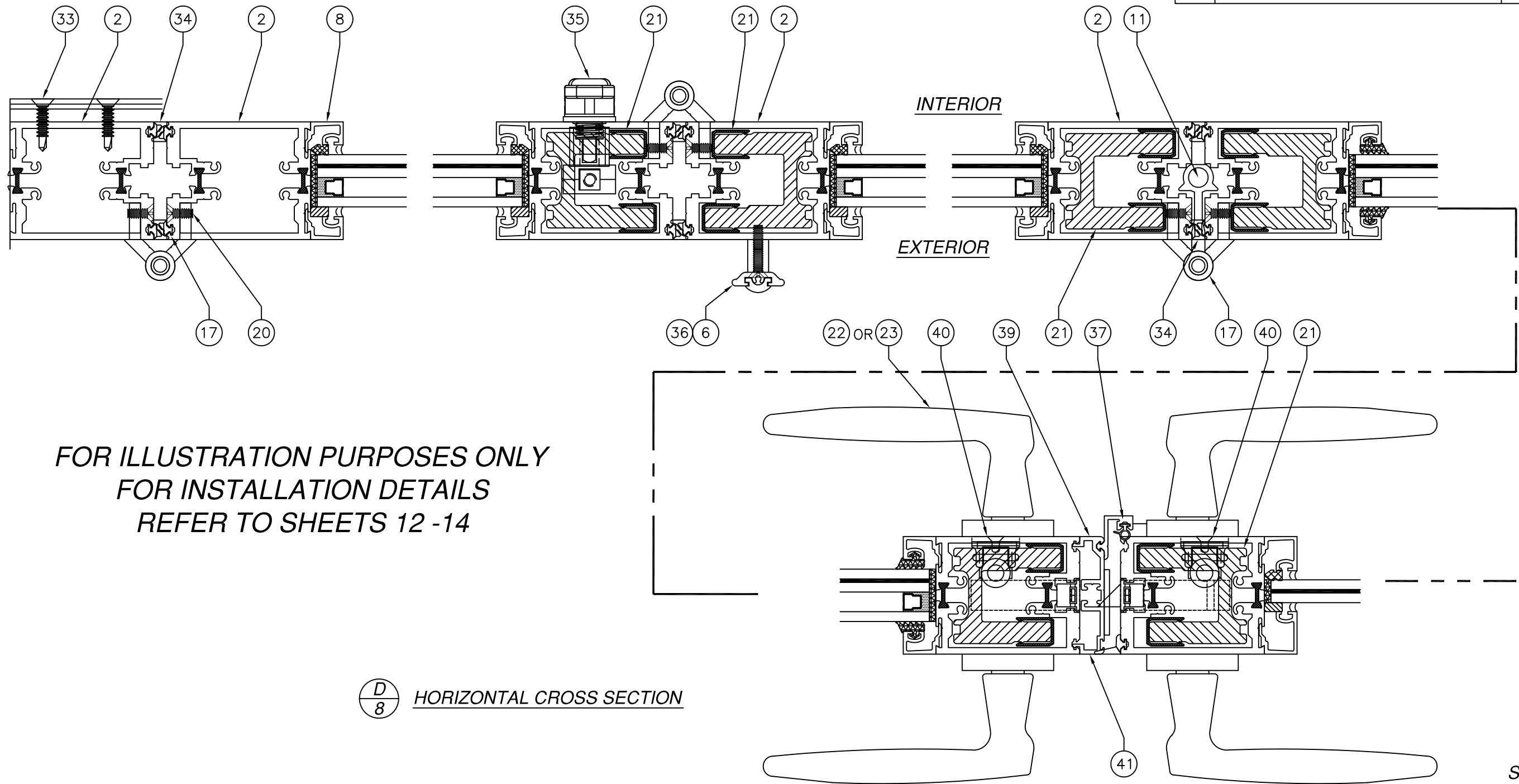
DRAWN: R.L.	DWG NO. 08-03863	REV -
SCALE NTS	DATE 11/02/22	SHEET 7 OF 16

L. ROBERTO LOMAS P.E.
400 S. PALM AVE, INDIANLANTIC, FL 32903
434-688-0609 rllomas@rlomaspe.com



Luis R. Lomas P.E.
FL No.: 62514

REVISIONS			
REV	DESCRIPTION	DATE	APPROVED



FOR ILLUSTRATION PURPOSES ONLY
 FOR INSTALLATION DETAILS
 REFER TO SHEETS 12 -14

CONTINUED
 IN SHEET 9

$\frac{D}{8}$ HORIZONTAL CROSS SECTION

SIGNED: 04/11/2023

THERMA-TRU CORPORATION
 1750 INDIAN WOOD CIRCLE
 MAUMEE, OH 43537

SERIES V-2 FGW 3X8 PANEL OUTFOLD
 ALUMINUM REINFORCED - IMPACT - HVHZ
 HORIZONTAL CROSS SECTIONS

DRAWN: R.L.	DWG NO. 08-03863	REV -
SCALE NTS	DATE 11/02/22	SHEET 8 OF 16

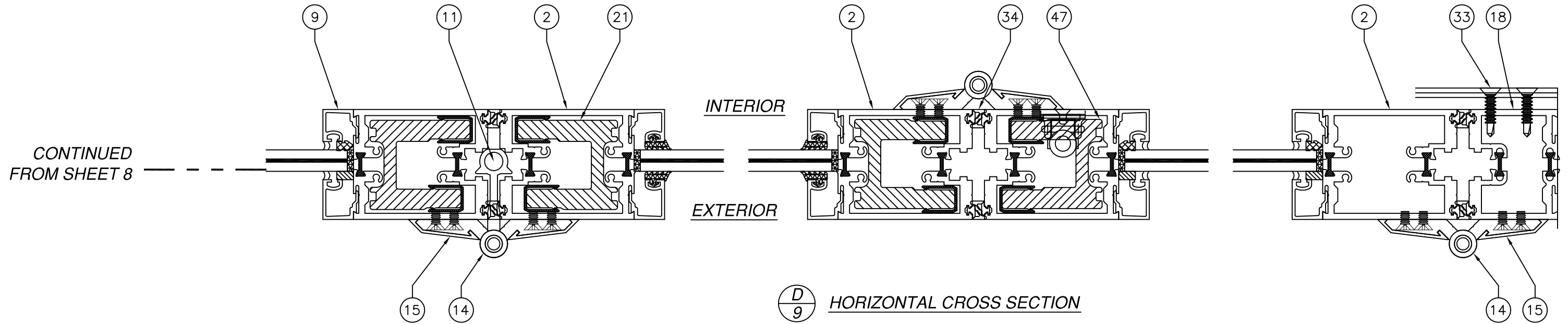
L. ROBERTO LOMAS P.E.
 400 S. PALM AVE, INDIALANTIC, FL 32903
 434-688-0609 rllomas@rlomaspe.com

Professional Engineer Seal for Luis R. Lomas, State of Florida, License No. 62514.

Luis R. Lomas P.E.
 FL No.: 62514

FOR ILLUSTRATION PURPOSES ONLY
 FOR INSTALLATION DETAILS REFER TO SHEETS 12 -14

REVISIONS			
REV	DESCRIPTION	DATE	APPROVED



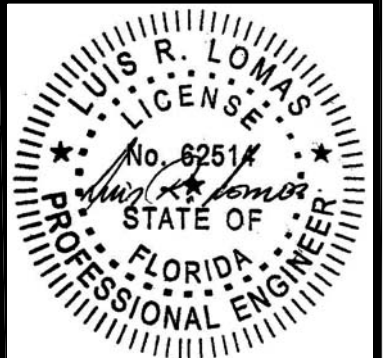
SIGNED: 04/11/2023

THERMA-TRU CORPORATION
 1750 INDIAN WOOD CIRCLE
 MAUMEE, OH 43537

SERIES V-2 FGW 3X8 PANEL OUTFOLD
 ALUMINUM REINFORCED - IMPACT - HVHZ
 HORIZONTAL CROSS SECTIONS

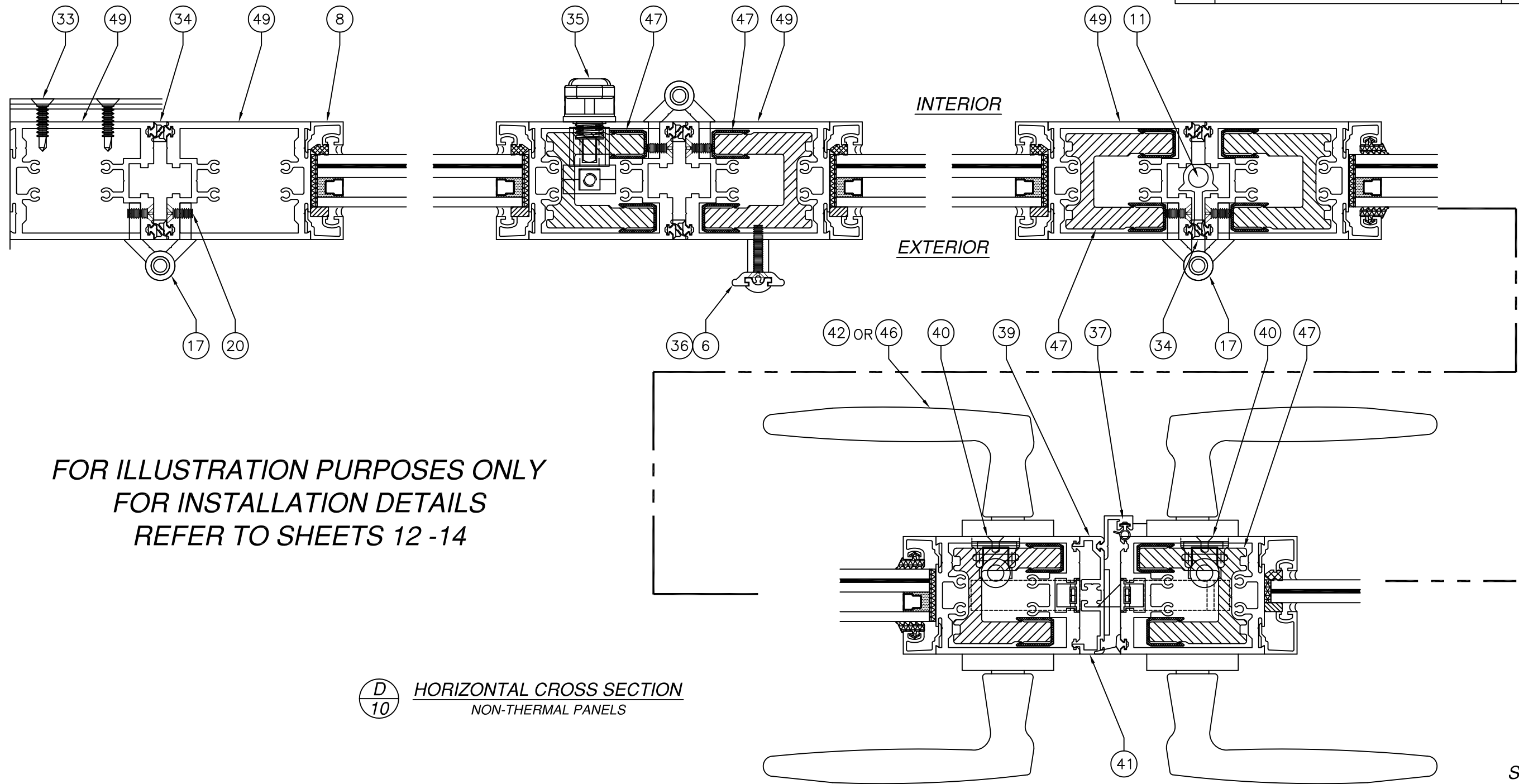
DRAWN: R.L.	DWG NO. 08-03863	REV -
SCALE NTS	DATE 11/02/22	SHEET 9 OF 16

L. ROBERTO LOMAS P.E.
 400 S. PALM AVE, INDIALANTIC, FL 32903
 434-688-0609 rllomas@rlomaspe.com



Luis R. Lomas P.E.
 FL No.: 62514

REVISIONS			
REV	DESCRIPTION	DATE	APPROVED



FOR ILLUSTRATION PURPOSES ONLY
 FOR INSTALLATION DETAILS
 REFER TO SHEETS 12-14

CONTINUED
 IN SHEET 11

$\frac{D}{10}$ HORIZONTAL CROSS SECTION
 NON-THERMAL PANELS

SIGNED: 04/11/2023

THERMA-TRU CORPORATION
 1750 INDIAN WOOD CIRCLE
 MAUMEE, OH 43537

SERIES V-2 FGW 3X8 PANEL OUTFOLD
 ALUMINUM REINFORCED - IMPACT - HVHZ
 HORIZONTAL CROSS SECTIONS

DRAWN: R.L.	DWG NO. 08-03863	REV -
SCALE NTS	DATE 11/02/22	SHEET 10 OF 16

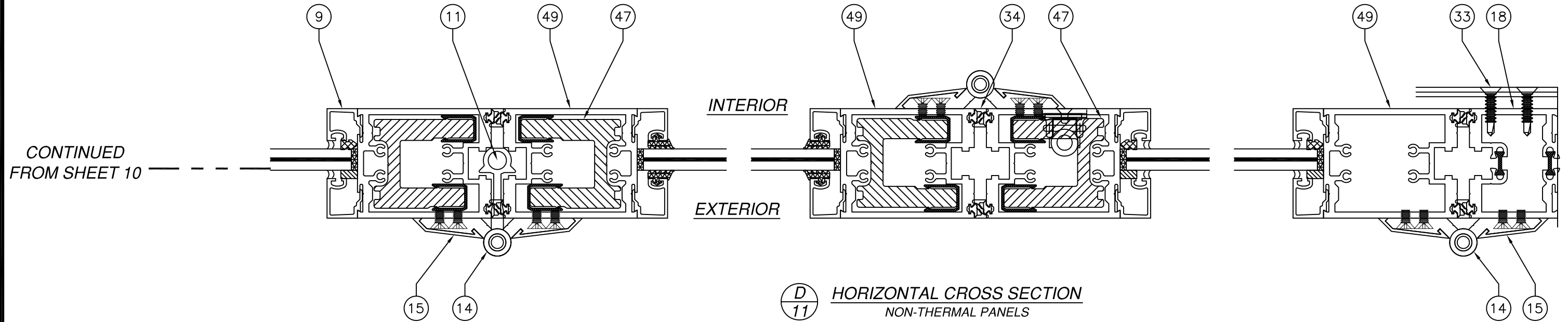
L. ROBERTO LOMAS P.E.
 400 S. PALM AVE, INDIALANTIC, FL 32903
 434-688-0609 rllomas@rlomaspe.com



Luis R. Lomas P.E.
 FL No.: 62514

FOR ILLUSTRATION PURPOSES ONLY
 FOR INSTALLATION DETAILS REFER TO SHEETS 12 -14

REVISIONS			
REV	DESCRIPTION	DATE	APPROVED



D
11
HORIZONTAL CROSS SECTION
 NON-THERMAL PANELS

SIGNED: 04/11/2023

THERMA-TRU CORPORATION
 1750 INDIAN WOOD CIRCLE
 MAUMEE, OH 43537

SERIES V-2 FGW 3X8 PANEL OUTFOLD
 ALUMINUM REINFORCED - IMPACT - HVHZ
 HORIZONTAL CROSS SECTIONS

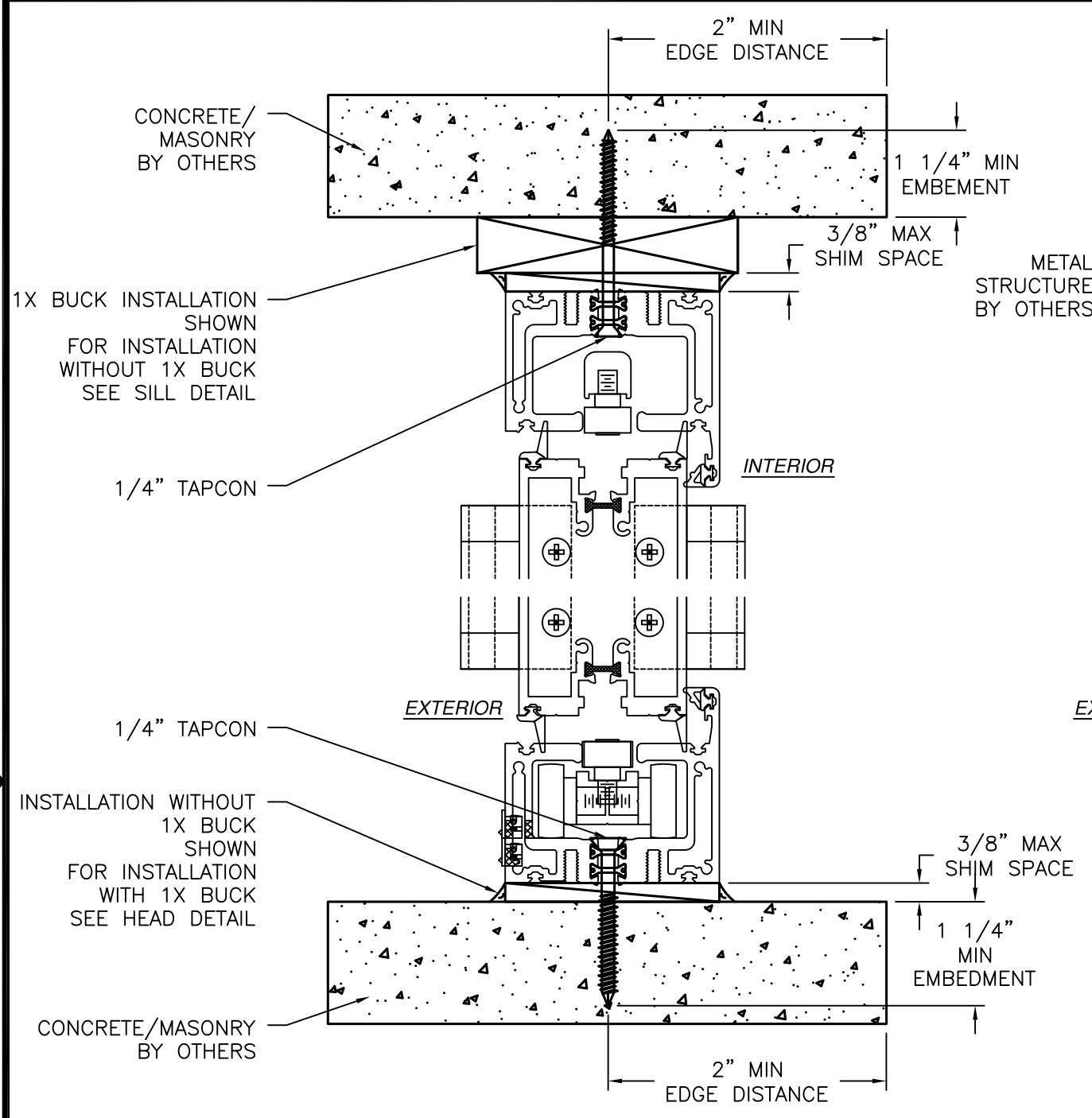
DRAWN: R.L.	DWG NO. 08-03863	REV -
SCALE NTS	DATE 11/02/22	SHEET 11 OF 16

L. ROBERTO LOMAS P.E.
 400 S. PALM AVE, INDIALANTIC, FL 32903
 434-688-0609 rllomas@rlomaspe.com

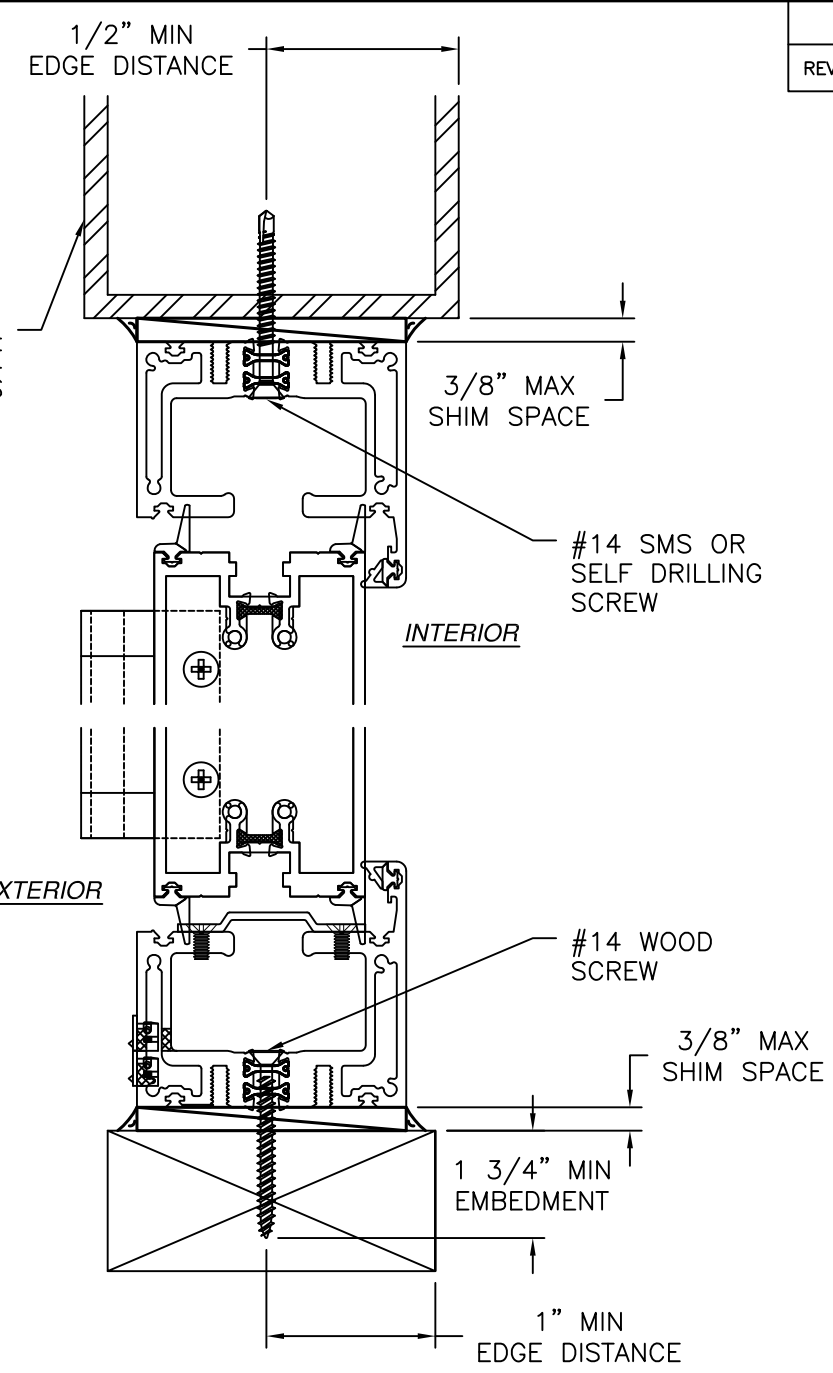


Luis R. Lomas P.E.
 FL No.: 62514

REVISIONS			
REV	DESCRIPTION	DATE	APPROVED



VERTICAL CROSS SECTION
 CONCRETE/MASONRY INSTALLATION
 STANDARD SILL SHOWN FLUSH SILL SIMILAR



VERTICAL CROSS SECTION
 WOOD FRAMING OR 2X BUCK
 OR METAL STRUCTURE INSTALLATION
 STANDARD SILL SHOWN FLUSH SILL SIMILAR

NOTES:
 1. INTERIOR AND EXTERIOR FINISHES, BY OTHERS, NOT SHOWN FOR CLARITY.
 2. PERIMETER AND JOINT SEALANT BY OTHERS TO BE DESIGNED IN ACCORDANCE WITH ASTM E2112

THERMA-TRU CORPORATION
 1750 INDIAN WOOD CIRCLE
 MAUMEE, OH 43537

SERIES V-2 FGW 3X8 PANEL OUTFOLD
 ALUMINUM REINFORCED - IMPACT - HVHZ
 INSTALLATION DETAILS

DRAWN: R.L.	DWG NO. 08-03863	REV -
SCALE NTS	DATE 11/02/22	SHEET 12 OF 16

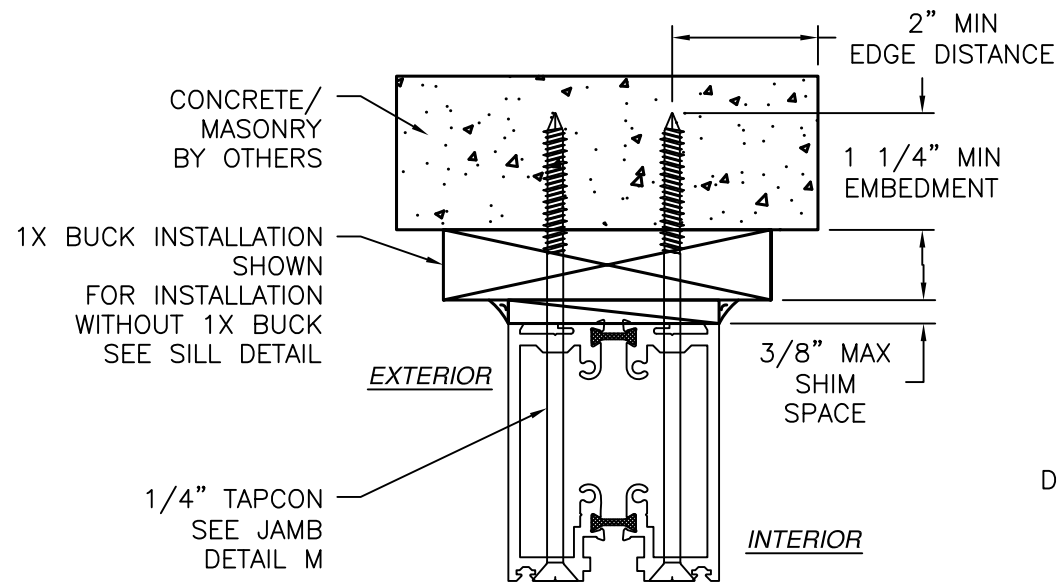
L. ROBERTO LOMAS P.E.
 400 S. PALM AVE, INDIAN LANTIC, FL 32903
 434-688-0609 rllomas@rlomaspe.com

SIGNED: 04/11/2023

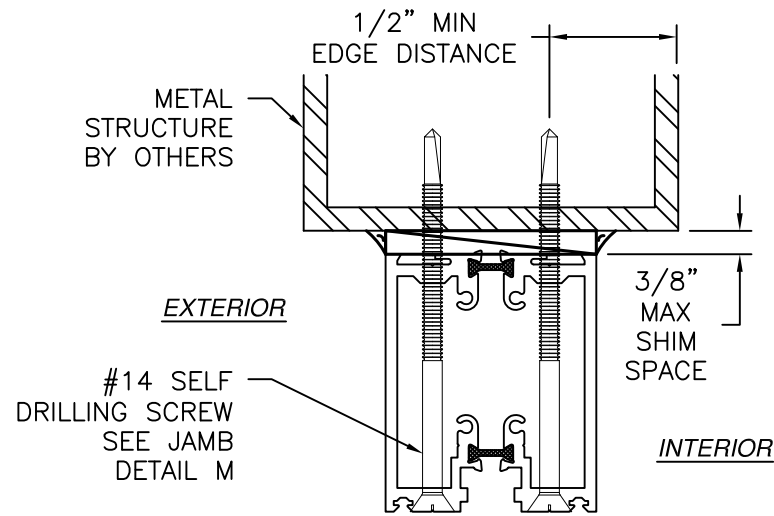


Luis R. Lomas P.E.
 FL No.: 62514

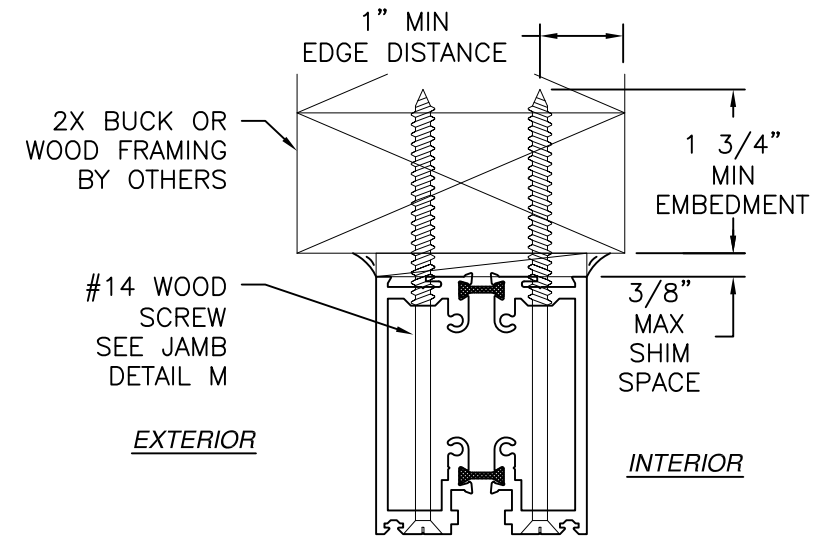
REVISIONS			
REV	DESCRIPTION	DATE	APPROVED



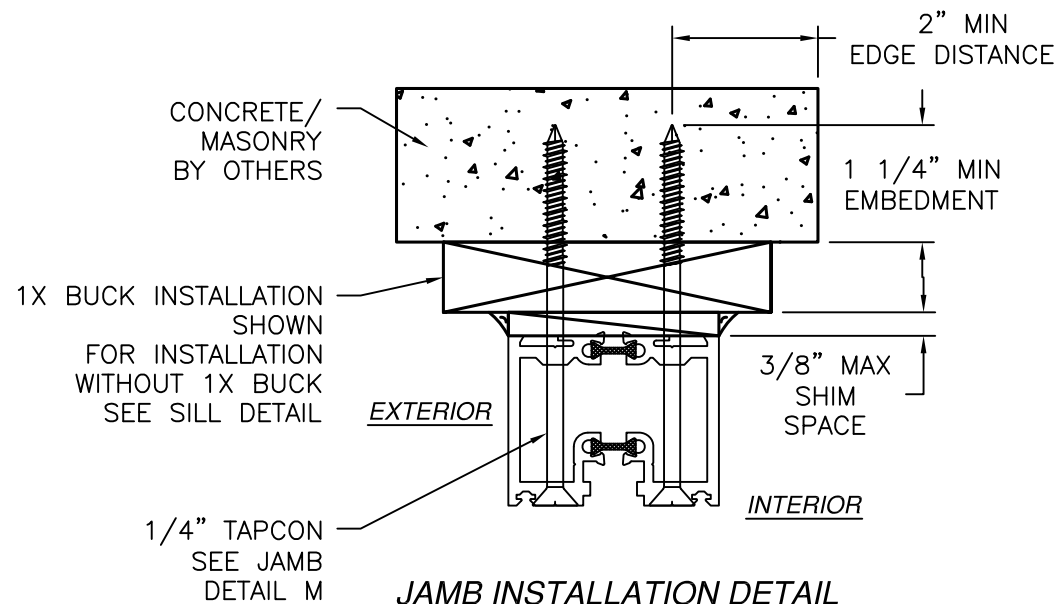
JAMB INSTALLATION DETAIL
CONCRETE/MASONRY
S45004 NO REINFORCEMENT



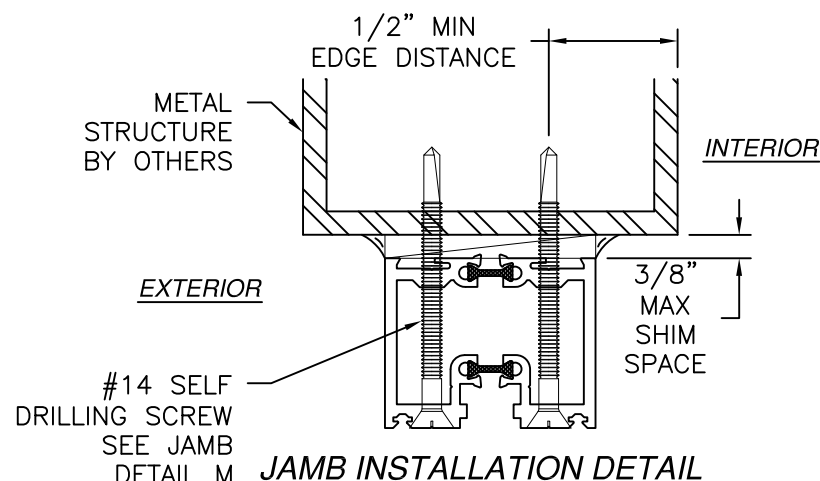
JAMB INSTALLATION DETAIL
METAL STRUCTURE
S45004 NO REINFORCEMENT



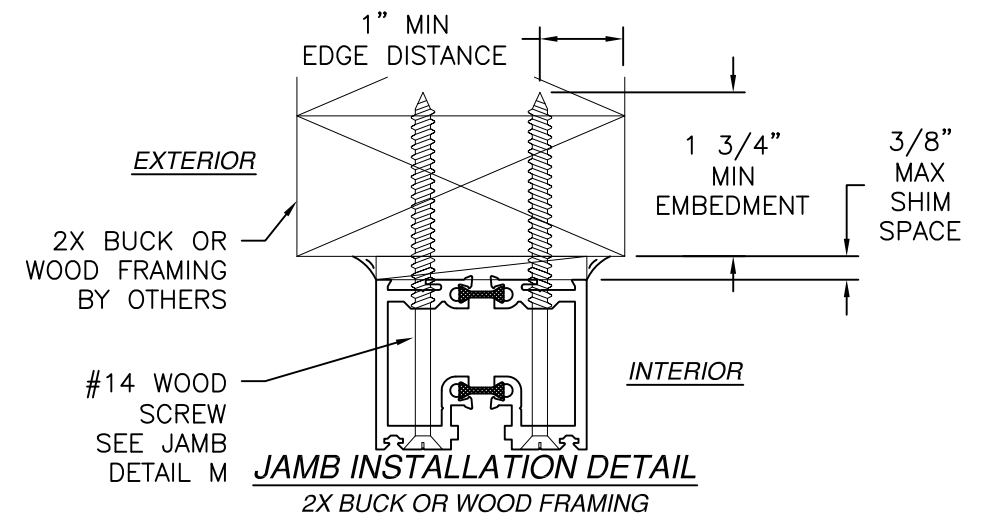
JAMB INSTALLATION DETAIL
2X BUCK OR WOOD FRAMING
S45004 NO REINFORCEMENT



JAMB INSTALLATION DETAIL
CONCRETE/MASONRY
S47543 NO REINFORCEMENT



JAMB INSTALLATION DETAIL
METAL STRUCTURE
S47543 NO REINFORCEMENT



JAMB INSTALLATION DETAIL
2X BUCK OR WOOD FRAMING
S47543 NO REINFORCEMENT

SIGNED: 04/11/2023

NOTES:
1. INTERIOR AND EXTERIOR FINISHES, BY OTHERS, NOT SHOWN FOR CLARITY.
2. PERIMETER AND JOINT SEALANT BY OTHERS TO BE DESIGNED IN ACCORDANCE WITH ASTM E2112

THERMA-TRU CORPORATION
1750 INDIAN WOOD CIRCLE
MAUMEE, OH 43537

SERIES V-2 FGW 3X8 PANEL OUTFOLD
ALUMINUM REINFORCED - IMPACT - HVHZ
INSTALLATION DETAILS

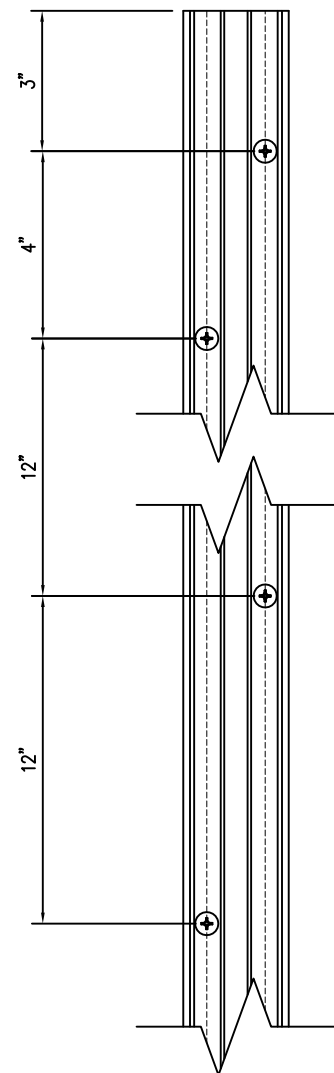
DRAWN: R.L.	DWG NO. 08-03863	REV -
SCALE NTS	DATE 11/02/22	SHEET 13 OF 16

L. ROBERTO LOMAS P.E.
400 S. PALM AVE, INDIAN LANTIC, FL 32903
434-688-0609 rllomas@rlomaspe.com

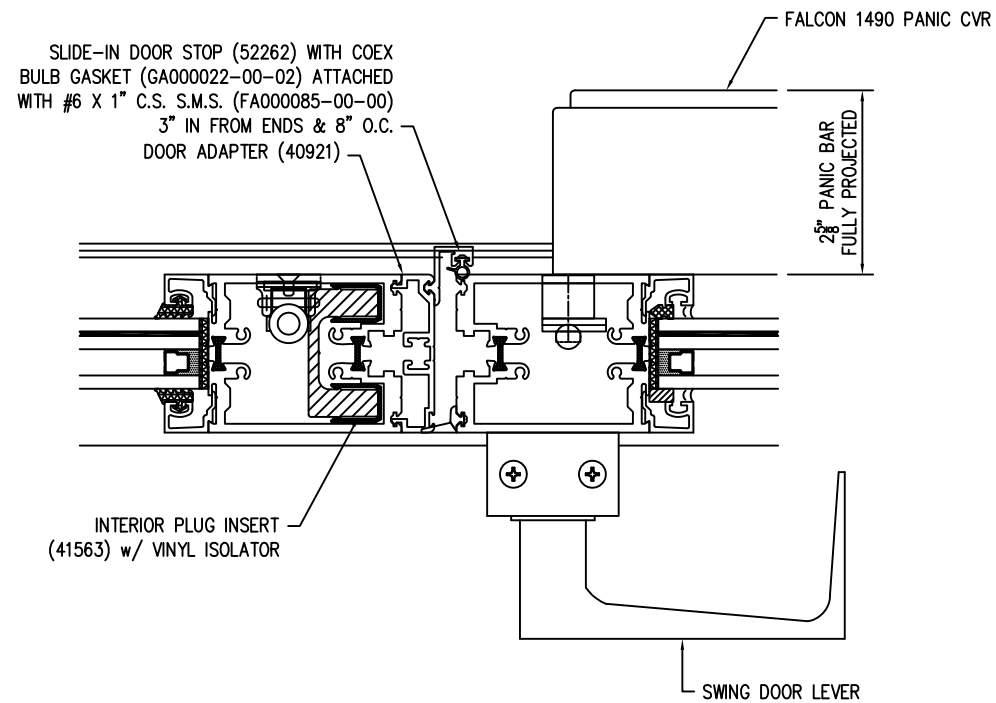


Luis R. Lomas P.E.
FL No.: 62514

REVISIONS			
REV	DESCRIPTION	DATE	APPROVED



JAMB INSTALLATION DETAIL L



PANIC BAR DETAILS

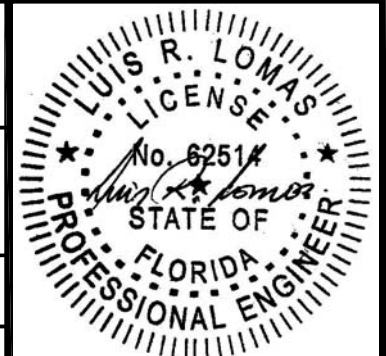
SIGNED: 04/11/2023

THERMA-TRU CORPORATION
1750 INDIAN WOOD CIRCLE
MAUMEE, OH 43537

SERIES V-2 FGW 3X8 PANEL OUTFOLD
ALUMINUM REINFORCED - IMPACT - HVHZ
INSTALLATION DETAILS

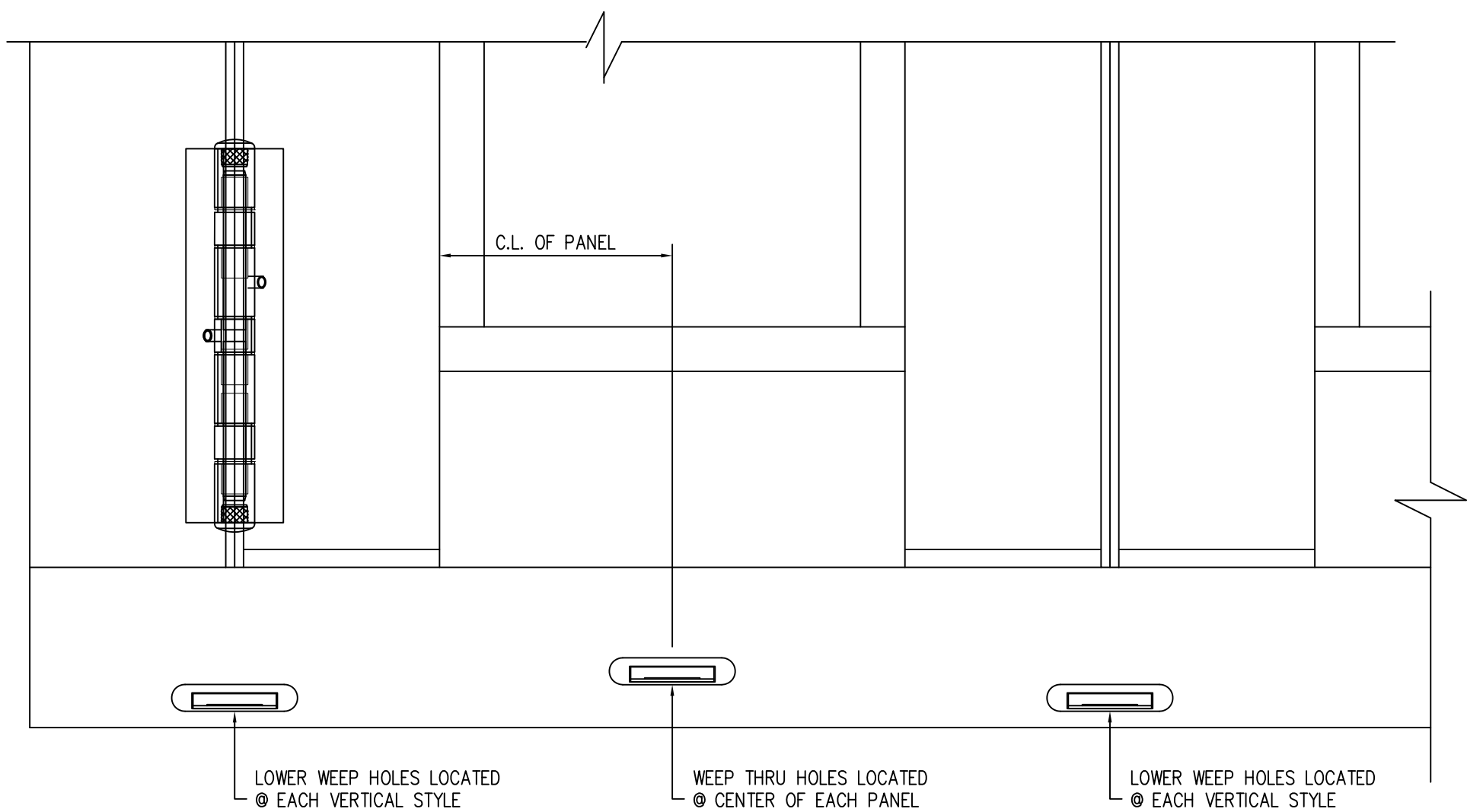
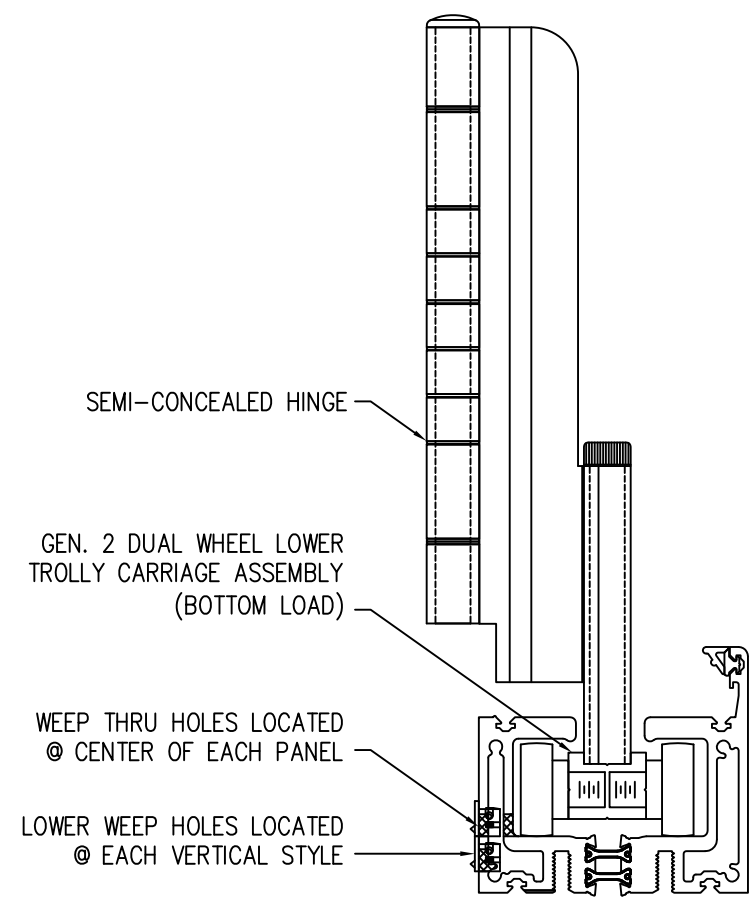
DRAWN: R.L.	DWG NO. 08-03863	REV -
SCALE NTS	DATE 11/02/22	SHEET 14 OF 16

L. ROBERTO LOMAS P.E.
400 S. PALM AVE, INDIALANTIC, FL 32903
434-688-0609 rllomas@rlomaspe.com

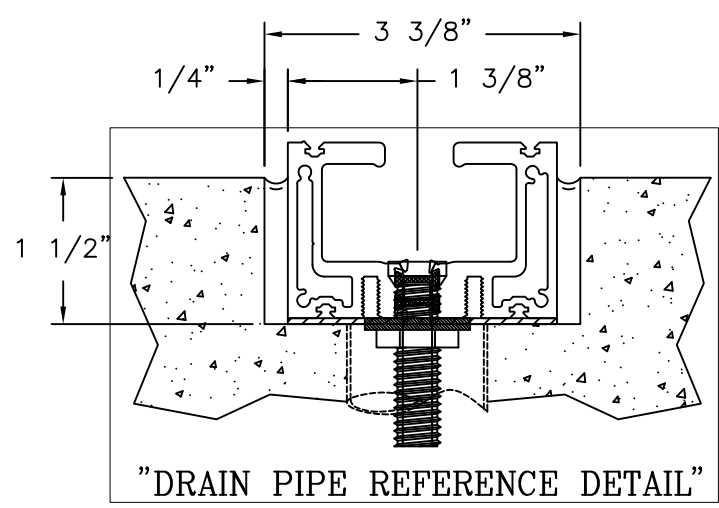


Luis R. Lomas P.E.
FL No.: 62514

REVISIONS			
REV	DESCRIPTION	DATE	APPROVED



WEEP LOCATIONS



SIGNED: 04/11/2023

THERMA-TRU CORPORATION
 1750 INDIAN WOOD CIRCLE
 MAUMEE, OH 43537

SERIES V-2 FGW 3X8 PANEL OUTFOLD
 ALUMINUM REINFORCED - IMPACT - HVHZ
 WEEP LOCATIONS

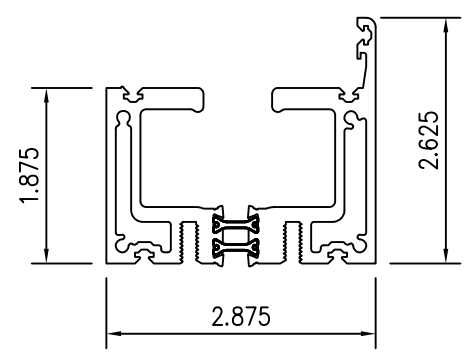
DRAWN: R.L.	DWG NO. 08-03863	REV -
SCALE NTS	DATE 11/02/22	SHEET 15 OF 16

L. ROBERTO LOMAS P.E.
 400 S. PALM AVE, INDIALANTIC, FL 32903
 434-688-0609 rllomas@rlomaspe.com

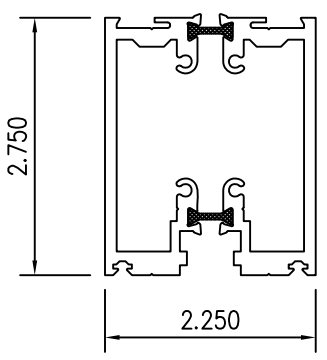


Luis R. Lomas P.E.
 FL No.: 62514

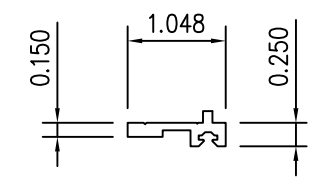
REVISIONS			
REV	DESCRIPTION	DATE	APPROVED



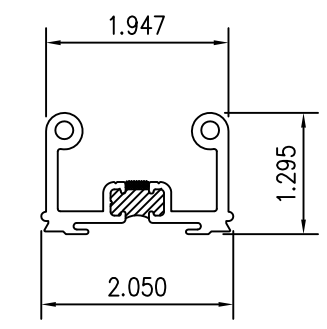
1 DUAL WHEEL HEAD / SILL



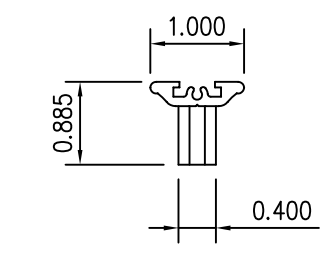
2 REGULAR FRAME



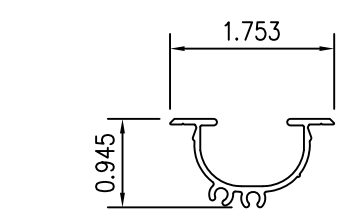
3 FRAME CAP



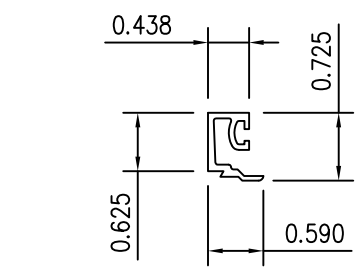
4 FRAME LUG



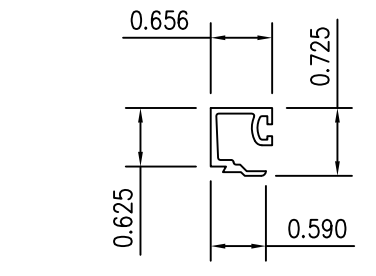
6 LOW-PROFILE HANDLE



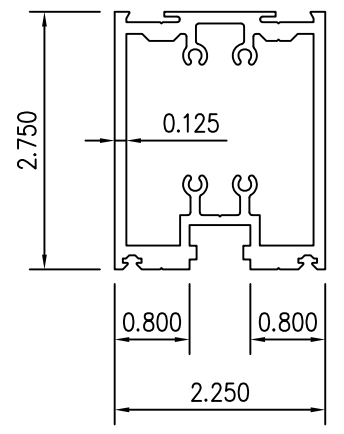
7 RECESSED / FLUSH HANDLE



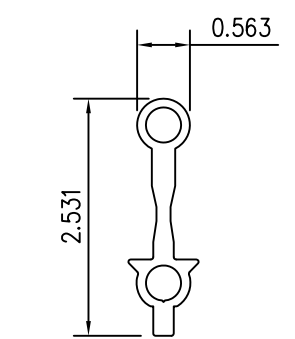
8 1" GLASS STOP



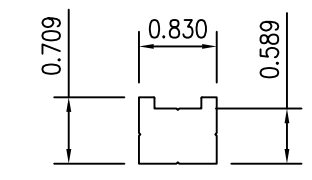
9 9/16" GLASS STOP



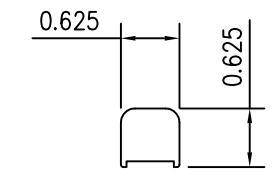
10 FRAME NON-THERMAL



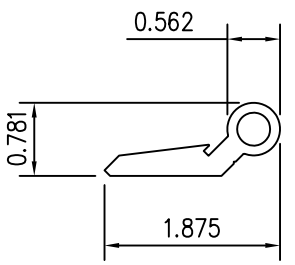
11 HEAVY HINGE



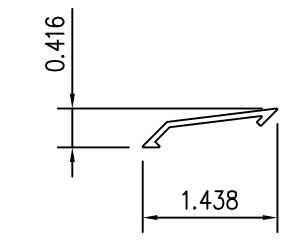
12 TROLLEY BODY



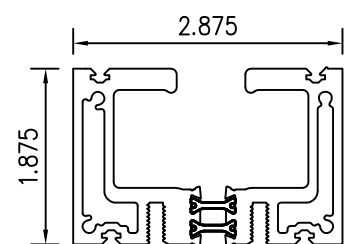
13 IDLER BODY



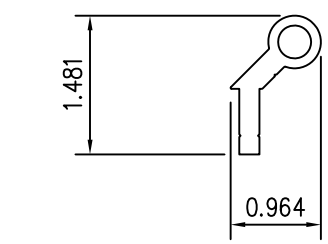
14 5 1/4" HINGE



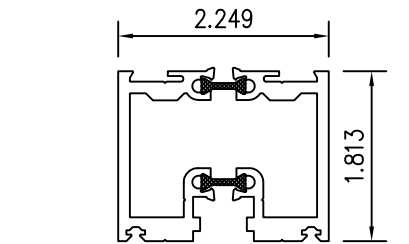
15 5 1/4" HINGE COVER



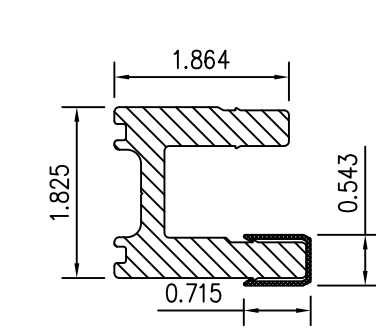
16 FLUSH SILL



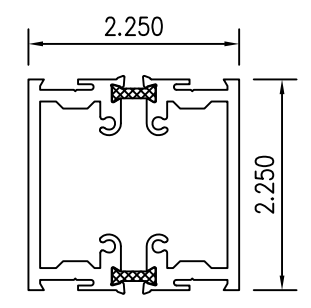
17 5 1/4" SEMI-CONCEALED HINGE



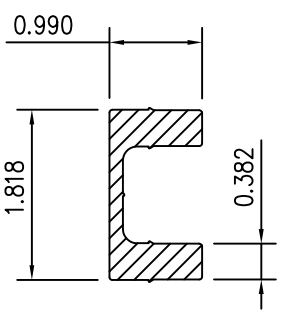
18 FRAME NARROW



21 REGULAR RAIL INSERT



42 MULLION FRAME



PANIC BAR ALUMINUM INSERT

THERMA-TRU CORPORATION
 1750 INDIAN WOOD CIRCLE
 MAUMEE, OH 43537

SERIES V-2 FGW 3X8 PANEL OUTFOLD
 ALUMINUM REINFORCED - IMPACT - HVHZ
 COMPONENTS

DRAWN: R.L.	DWG NO. 08-03863	REV -
SCALE NTS	DATE 11/02/22	SHEET 16 OF 16

L. ROBERTO LOMAS P.E.
 400 S. PALM AVE, INDIALANTIC, FL 32903
 434-688-0609 rllomas@rlomaspe.com

SIGNED: 04/11/2023



Luis R. Lomas P.E.
 FL No.: 62514