

REVISIONS			
REV	DESCRIPTION	DATE	APPROVED

NOTES:

1. THE PRODUCT SHOWN HEREIN IS DESIGNED AND MANUFACTURED TO COMPLY WITH REQUIREMENTS OF THE FLORIDA BUILDING CODE.
2. WOOD FRAMING AND MASONRY OPENING TO BE DESIGNED AND ANCHORED TO PROPERLY TRANSFER ALL LOADS TO STRUCTURE. FRAMING AND MASONRY OPENING IS THE RESPONSIBILITY OF THE ARCHITECT OR ENGINEER OF RECORD.
3. WHERE 1X BUCK IS NOT USED DISSIMILAR MATERIALS MUST BE SEPARATED WITH APPROVED COATING OR MEMBRANE. SELECTION OF COATING OR MEMBRANE IS THE RESPONSIBILITY OF THE ARCHITECT OR ENGINEER OF RECORD.
4. ALLOWABLE STRESS INCREASE OF 1/3 WAS NOT USED IN THE DESIGN OF THE PRODUCT SHOWN HEREIN. WIND LOAD DURATION FACTOR Cd=1.6 WAS USED FOR WOOD ANCHOR CALCULATIONS.
5. FRAME MATERIAL: ALUMINUM 6063-T6 AND 6005A-T5.
6. UNITS MUST BE GLAZED PER ASTM E1300, WITH SAFETY GLAZING.
7. APPROVED IMPACT PROTECTIVE SYSTEM IS REQUIRED FOR THIS PRODUCT IN WIND BORNE DEBRIS REGIONS.
8. SHIM AS REQUIRED AT EACH INSTALLATION ANCHOR WITH LOAD BEARING SHIM. SHIM WHERE SPACE OF 1/16" OR GREATER OCCURS. MAXIMUM ALLOWABLE SHIM STACK TO BE 3/8".
9. FOR ANCHORING INTO WOOD FRAMING OR 2X BUCK USE #14 WOOD SCREWS WITH SUFFICIENT LENGTH TO ACHIEVE A 1 3/4" MINIMUM EMBEDMENT INTO SUBSTRATE. LOCATE ANCHORS AS SHOWN IN ELEVATIONS AND INSTALLATION DETAILS.
10. FOR ANCHORING INTO MASONRY/CONCRETE USE 1/4" TAPCONS WITH SUFFICIENT LENGTH TO ACHIEVE A 1 1/4" MINIMUM EMBEDMENT INTO SUBSTRATE WITH 2" MINIMUM EDGE DISTANCE. LOCATE ANCHORS AS SHOWN IN ELEVATIONS AND INSTALLATION DETAILS.
11. FOR ANCHORING INTO METAL STRUCTURE USE #14 SMS OR SELF DRILLING SCREWS WITH SUFFICIENT LENGTH TO ACHIEVE 3 THREADS MINIMUM BEYOND STRUCTURE INTERIOR WALL. LOCATE ANCHORS AS SHOWN IN ELEVATIONS AND INSTALLATION DETAILS.
12. ALL FASTENERS TO BE CORROSION RESISTANT.
13. INSTALLATION ANCHORS SHALL BE INSTALLED IN ACCORDANCE WITH ANCHOR MANUFACTURER'S INSTALLATION INSTRUCTIONS AND ANCHORS SHALL NOT BE USED IN SUBSTRATES WITH STRENGTHS LESS THAN THE MINIMUM STRENGTH SPECIFIED BELOW:
 - A. WOOD – MINIMUM SPECIFIC GRAVITY OF G=0.42
 - B. CONCRETE – MINIMUM COMPRESSIVE STRENGTH OF 3,000 PSI.
 - C. MASONRY – STRENGTH CONFORMANCE TO ASTM C-90, GRADE N, TYPE 1 (OR GREATER).
 - D. METAL STRUCTURE: STEEL 18GA, 33KSI OR ALUMINUM 6063-T5 .125" THICK MINIMUM

TABLE OF CONTENTS	
SHEET NO.	DESCRIPTION
1	NOTES
2	ELEVATIONS
3	ANCHORING LAYOUT AND DESIGN PRESSURE CHARTS
4 – 9	CROSS SECTIONS
10 – 11	INSTALLATION DETAILS
12	WEEP DETAILS
13	COMPONENTS

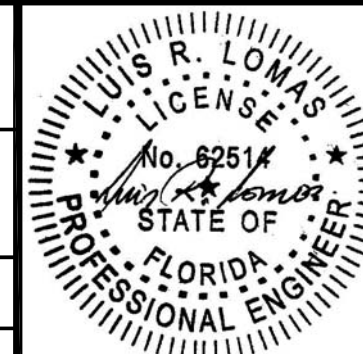
THERMA-TRU CORPORATION
1750 INDIAN WOOD CIRCLE
MAUMEE, OH 43537

SERIES V-3 STANDARD IN/OUT ALUMINUM FGW
NON-IMPACT
NOTES

DRAWN: R.L.	DWG NO. 08-03866	REV -
SCALE NTS	DATE 11/03/22	SHEET 1 OF 13

L. ROBERTO LOMAS P.E.
400 S. PALM AVE, INDIAN LANTIC, FL 32903
434-688-0609 rllomas@rlomaspe.com

SIGNED: 12/19/2022

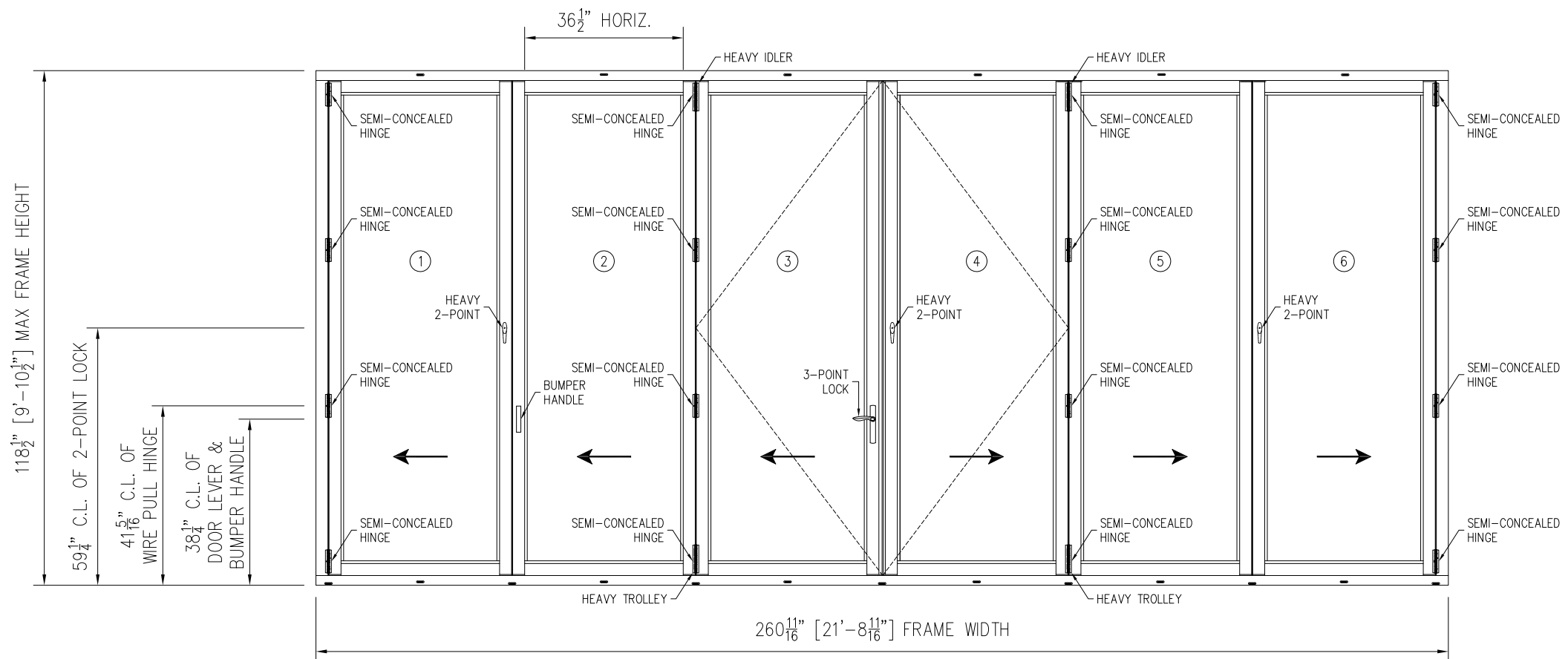
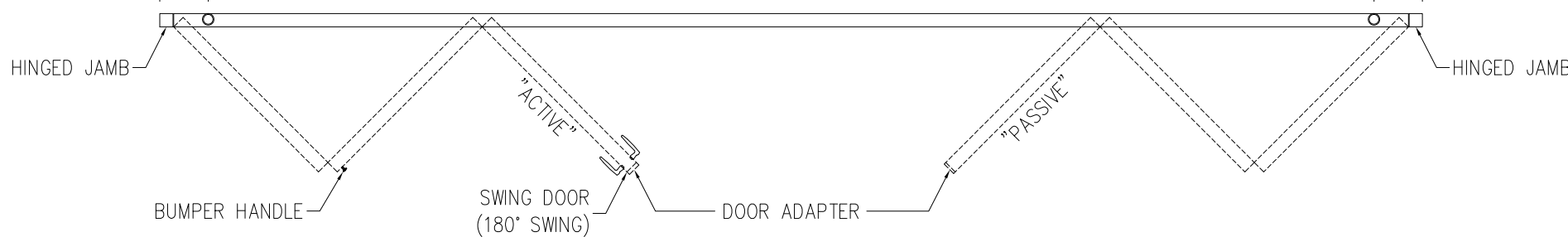


Luis R. Lomas P.E.
FL No.: 62514

10" C.L. OF DRAIN PIPE SEE NOTES THIS SHEET

10" C.L. OF DRAIN PIPE SEE NOTES THIS SHEET

REVISIONS			
REV	DESCRIPTION	DATE	APPROVED



DESIGN PRESSURE RATING	IMPACT RATING
±70.0PSF	NONE

UNITS WITH STANDARD SILL
SEE CHART #1 SHEET 3

DESIGN PRESSURE RATING	IMPACT RATING
±55.0PSF	NONE

UNITS WITH FLUSH SILL
SEE CHART #2 SHEET 3

SERIES V-3 STANDARD IN/OUT ALUMINUM FGW NON-IMPACT

EXTERIOR VIEW

UNLIMITED NUMBER OF PANELS IN UNLIMITED CONFIGURATION ARE APPROVED AS LONG AS INDIVIDUAL PANEL AREA DOES NOT EXCEED 33.32 FT² AND USES VERTICAL CONDITIONS AS SHOWN.

SIGNED: 12/19/2022

HARDWARE SCHEDULE
A. SEMI-CONCEALED HINGE BY THERMA-TRU
B. 2 POINT HANDLE & LOCK MS000487-XX BY THERMA-TRU
C. 3 POINT HANDLE & LOCK BY THERMA-TRU
D. SURFACE MOUNT HINGE BY THERMA-TRU

NOTES:

- PANEL SIZE: 42 9/32" x 114"
- D.L.O. SIZE: 35 9/32" x 107 1/4"
- DRAIN TUBE IS ONLY INSTALLED WITH RECESSED SILL TYPES

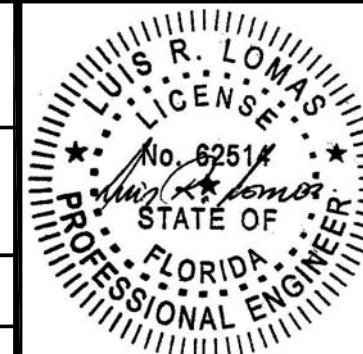
THERMA-TRU CORPORATION

1750 INDIAN WOOD CIRCLE
MAUMEE, OH 43537

SERIES V-3 STANDARD IN/OUT ALUMINUM FGW
NON-IMPACT
ELEVATIONS

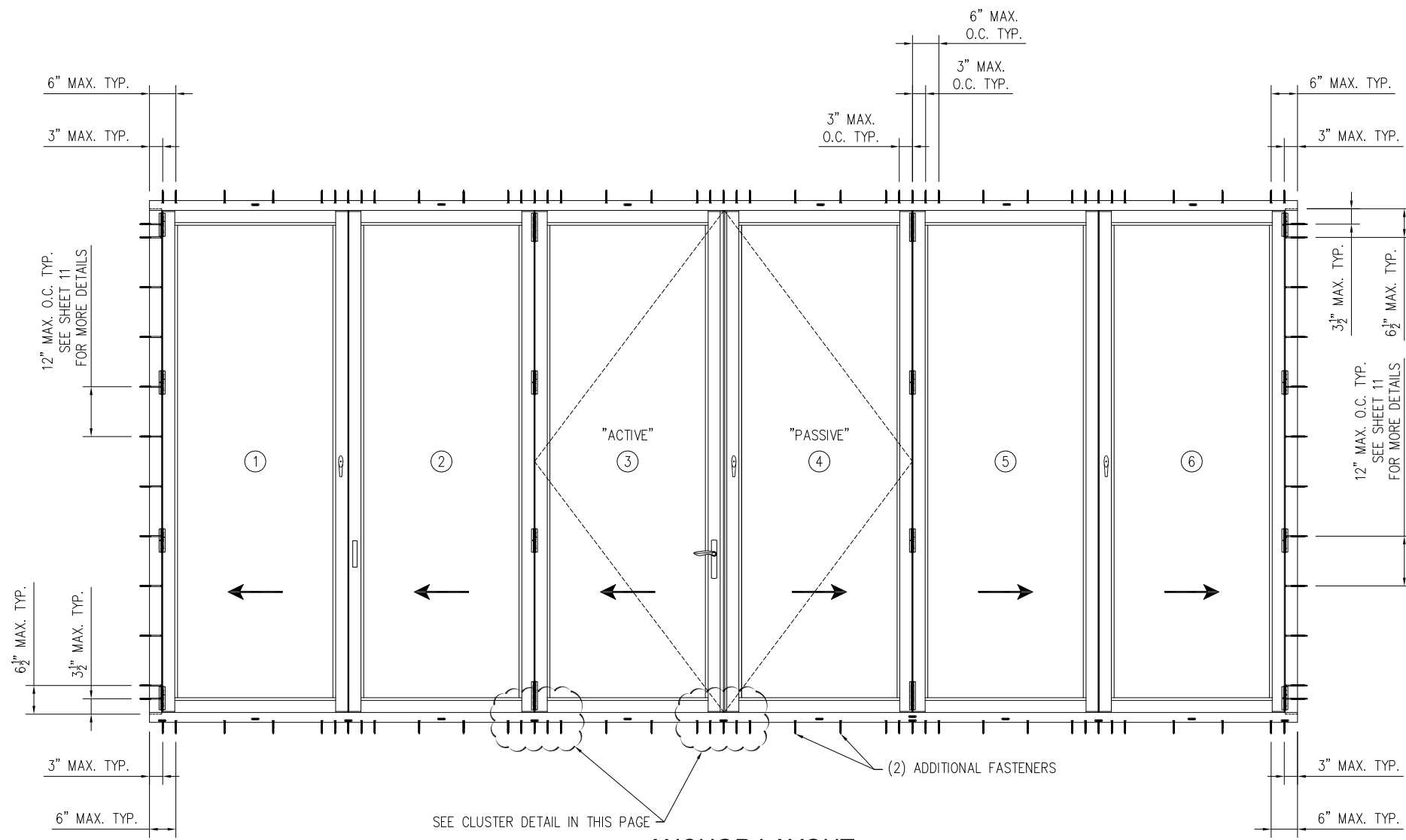
DRAWN: R.L.	DWG NO. 08-03866	REV -
SCALE NTS	DATE 11/03/22	SHEET 2 OF 13

L. ROBERTO LOMAS P.E.
400 S. PALM AVE, INDIAN LANTIC, FL 32903
434-688-0609 rllomas@rlomaspe.com

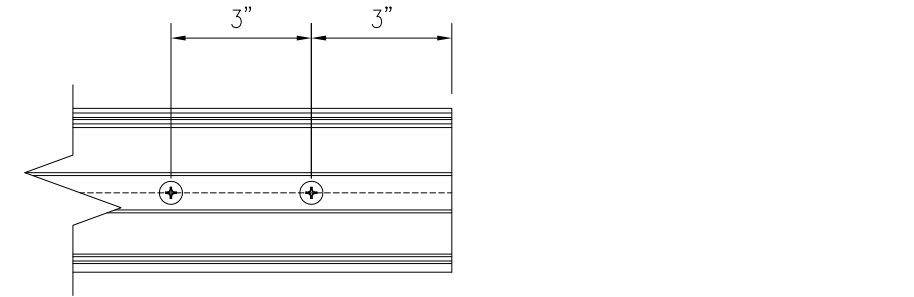


Luis R. Lomas P.E.
FL No.: 62514

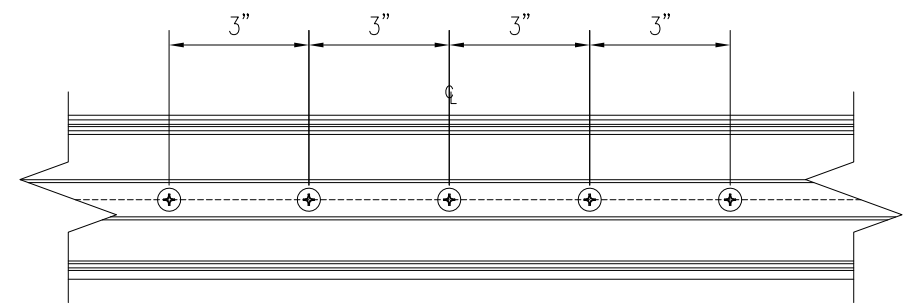
REVISIONS			
REV	DESCRIPTION	DATE	APPROVED



ANCHOR LAYOUT
APPLICABLE TO ALL CONFIGURATIONS



SILL AND HEAD
END DETAIL



SILL AND HEAD
CLUSTER DETAIL

Chart #1

Panel Height (in)	Maximum Design pressure (psf)									
	Single Panel Width (in)									
	24.0		30.0		36.0		42.28		48.0	
	Pos	Neg	Pos	Neg	Pos	Neg	Pos	Neg	Pos	Neg
78.0	80.0	105.0	80.0	105.0	80.0	105.0	80.0	102.3	80.0	90.1
84.0	80.0	105.0	80.0	105.0	80.0	105.0	80.0	95.0	80.0	83.7
90.0	80.0	105.0	80.0	105.0	80.0	104.1	80.0	88.7	78.1	78.1
96.0	80.0	105.0	80.0	105.0	80.0	97.6	80.0	83.1	73.2	73.2
102.0	80.0	105.0	80.0	105.0	80.0	90.9	78.2	78.2	-	-
108.0	80.0	105.0	80.0	98.5	80.0	84.8	73.9	73.9	-	-
114.0	80.0	105.0	80.0	92.5	79.5	79.5	70.0	70.0	-	-
120.0	80.0	101.6	80.0	82.0	69.1	69.1	-	-	-	-
126.0	80.0	87.6	70.7	70.7	59.5	59.5	-	-	-	-
132.0	76.1	76.1	61.4	61.4	51.6	51.6	-	-	-	-
138.0	66.6	66.6	53.6	53.6	-	-	-	-	-	-
144.0	58.5	58.5	47.1	47.1	-	-	-	-	-	-
150.0	51.7	51.7	41.6	41.6	-	-	-	-	-	-
156.0	45.9	45.9	37.0	37.0	-	-	-	-	-	-

Chart #2

Panel Height (in)	Maximum Design pressure (psf)									
	Single Panel Width (in)									
	24.0		30.0		36.0		42.28		48.0	
	Pos	Neg	Pos	Neg	Pos	Neg	Pos	Neg	Pos	Neg
78.0	60.0	82.5	60.0	82.5	60.0	82.5	60.0	80.4	60.0	70.8
84.0	60.0	82.5	60.0	82.5	60.0	82.5	60.0	74.6	60.0	65.7
90.0	60.0	82.5	60.0	82.5	60.0	81.8	60.0	69.7	60.0	61.4
96.0	60.0	82.5	60.0	82.5	60.0	76.7	60.0	65.3	57.5	57.5
102.0	60.0	82.5	60.0	82.5	60.0	71.4	60.0	61.5	-	-
108.0	60.0	82.5	60.0	77.4	60.0	66.6	58.1	58.1	-	-
114.0	60.0	82.5	60.0	72.7	60.0	62.5	55.0	55.0	-	-
120.0	60.0	79.8	60.0	64.5	54.3	54.3	-	-	-	-
126.0	60.0	68.9	55.5	55.5	46.8	46.8	-	-	-	-
132.0	59.8	59.8	48.2	48.2	40.5	40.5	-	-	-	-
138.0	52.3	52.3	42.1	42.1	-	-	-	-	-	-
144.0	46.0	46.0	37.0	37.0	-	-	-	-	-	-
150.0	40.6	40.6	32.7	32.7	-	-	-	-	-	-
156.0	36.1	36.1	29.0	29.0	-	-	-	-	-	-

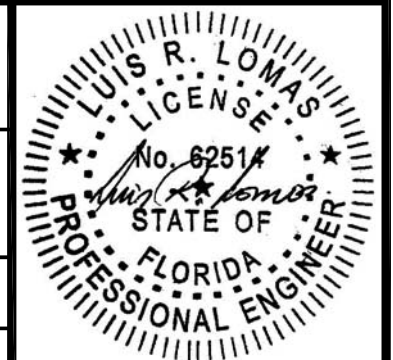
THERMA-TRU CORPORATION
1750 INDIAN WOOD CIRCLE
MAUMEE, OH 43537

SERIES V-3 STANDARD IN/OUT ALUMINUM FGW
NON-IMPACT
ANCHOR LAYOUT AND DESIGN PRESSURE CHARTS

DRAWN: R.L.	DWG NO. 08-03866	REV -
SCALE NTS	DATE 11/03/22	SHEET 3 OF 13

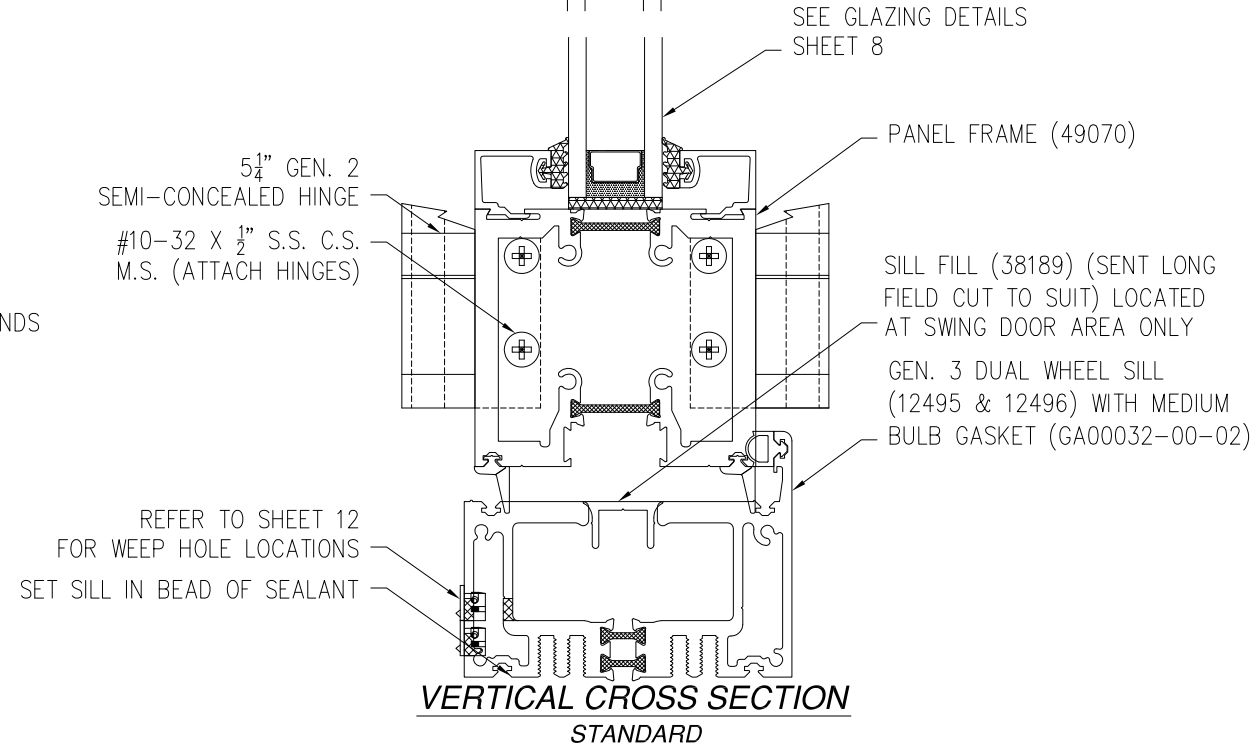
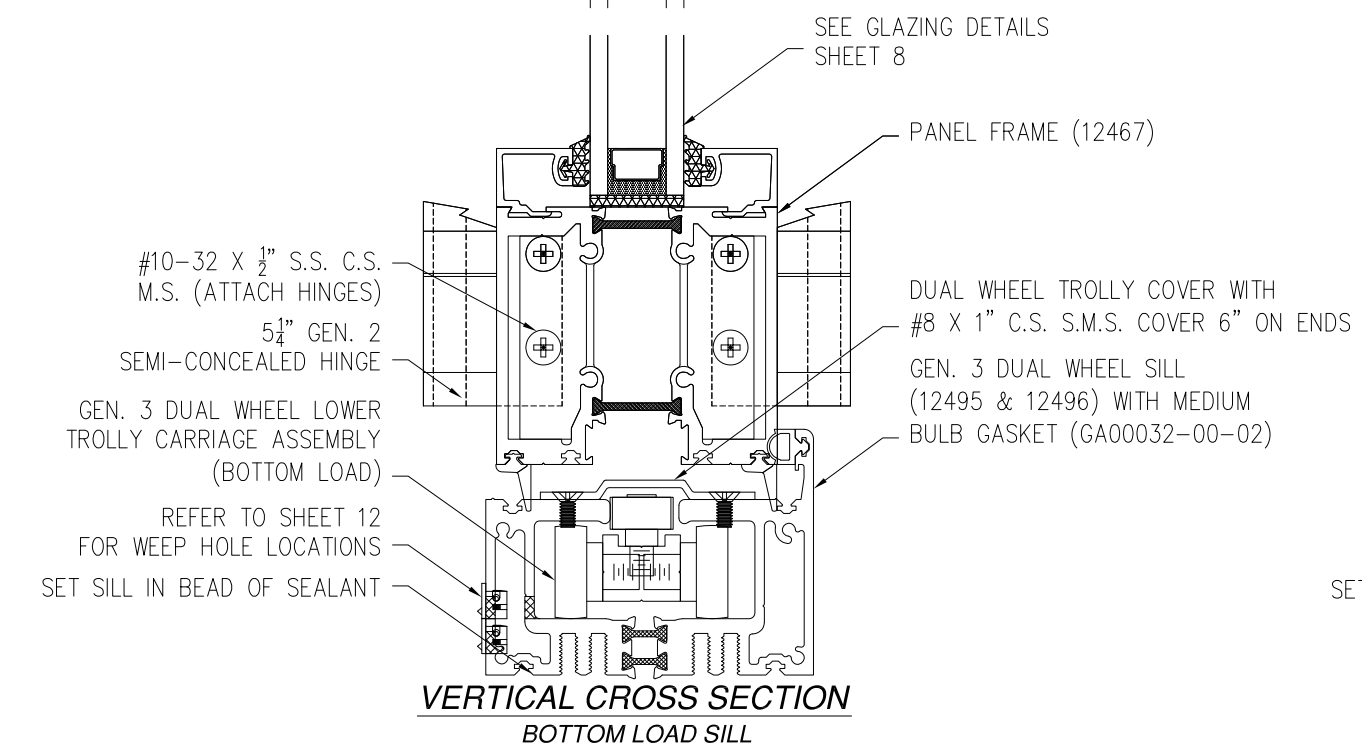
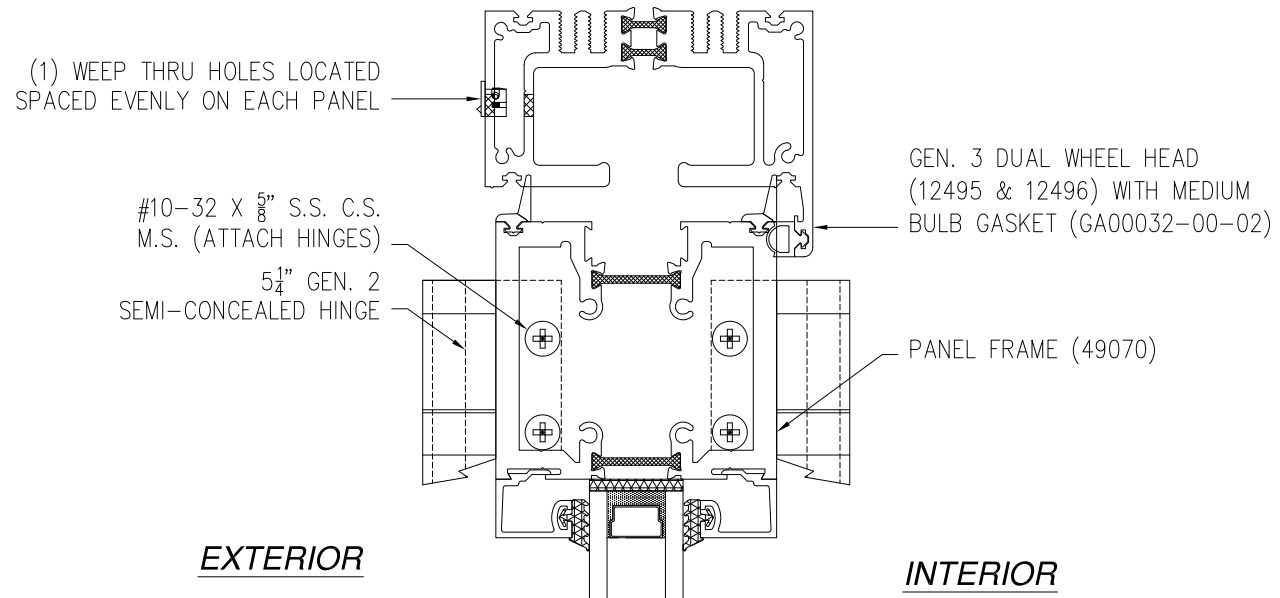
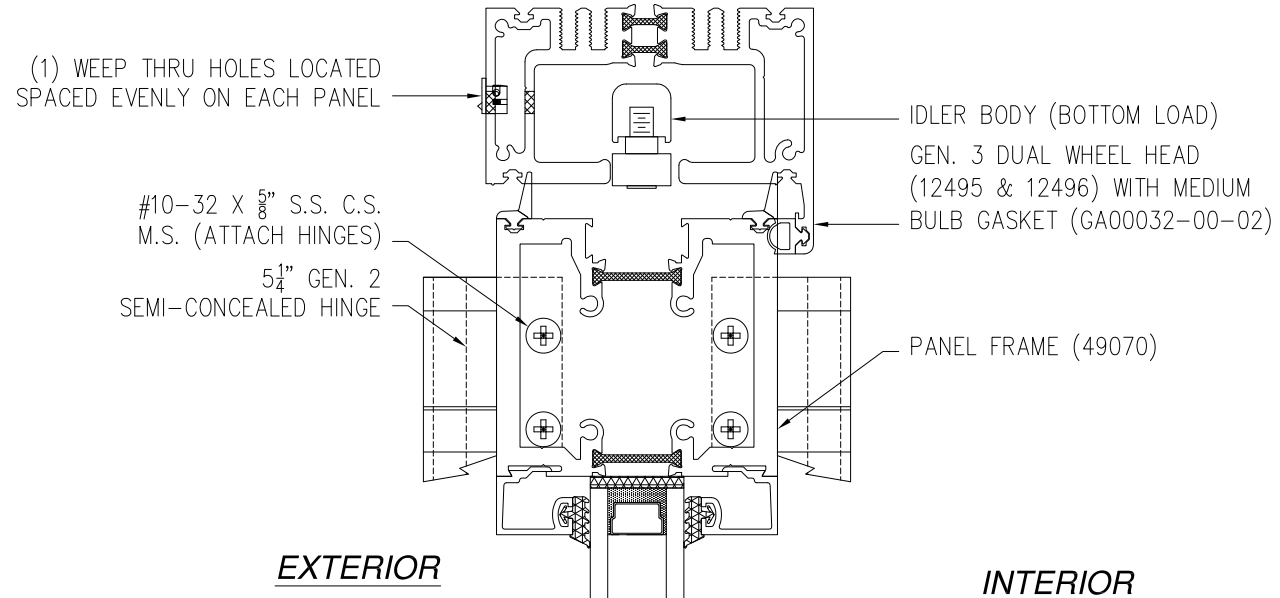
L. ROBERTO LOMAS P.E.
400 S. PALM AVE, INDIALANTIC, FL 32903
434-688-0609 rllomas@rlomaspe.com

SIGNED: 12/19/2022



Luis R. Lomas P.E.
FL No.: 62514

REVISIONS			
REV	DESCRIPTION	DATE	APPROVED



THERMA-TRU CORPORATION
 1750 INDIAN WOOD CIRCLE
 MAUMEE, OH 43537

SERIES V-3 STANDARD IN/OUT ALUMINUM FGW
 NON-IMPACT
 OUTSWING VERTICAL CROSS SECTIONS

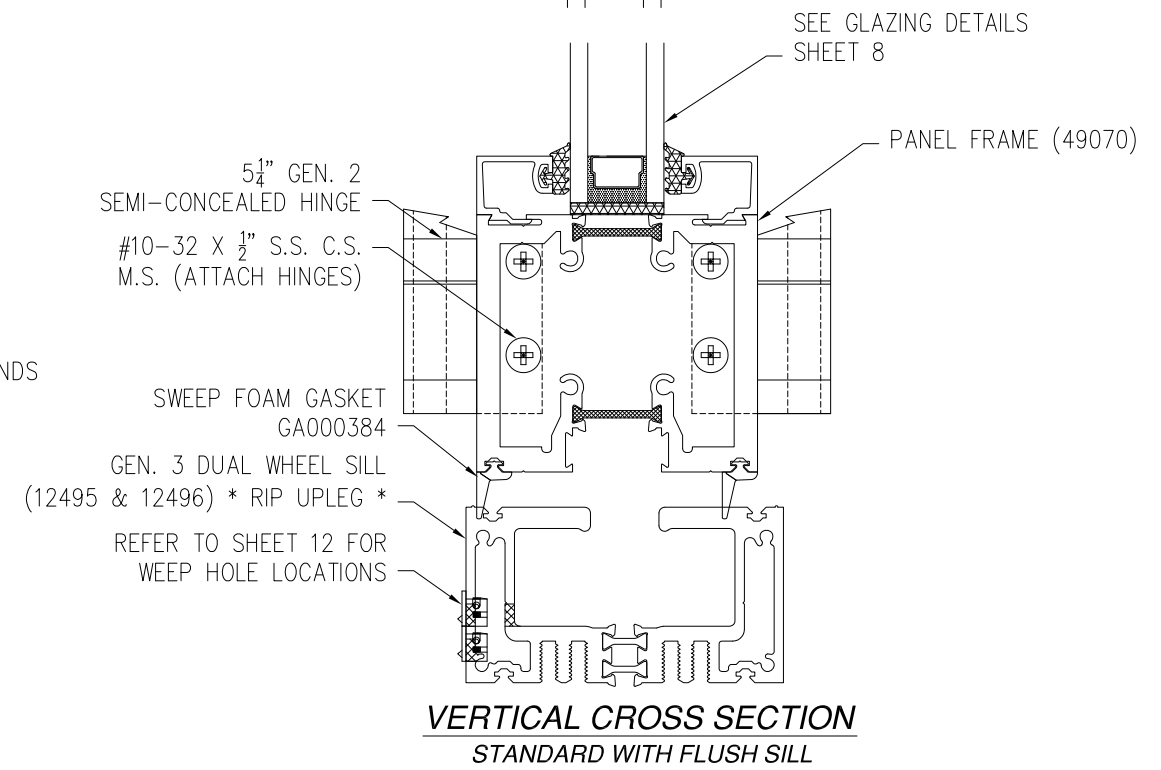
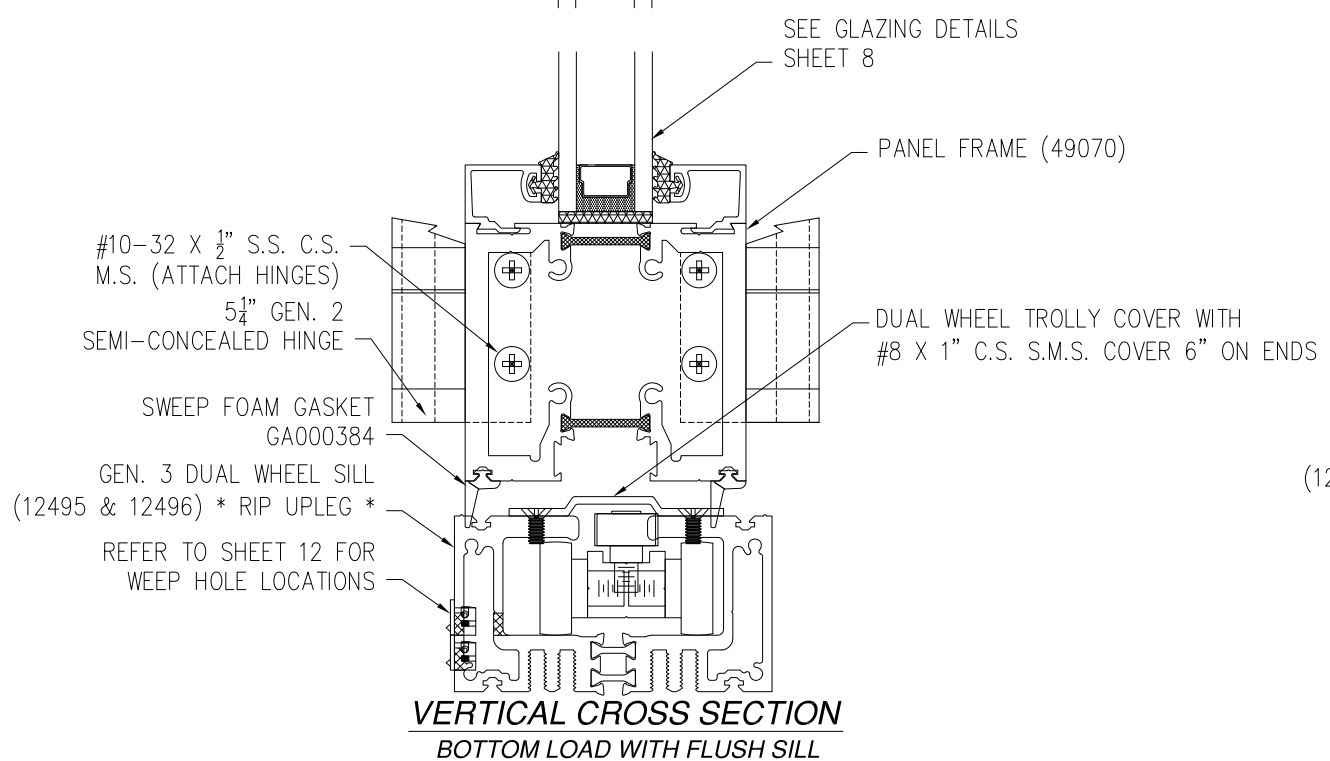
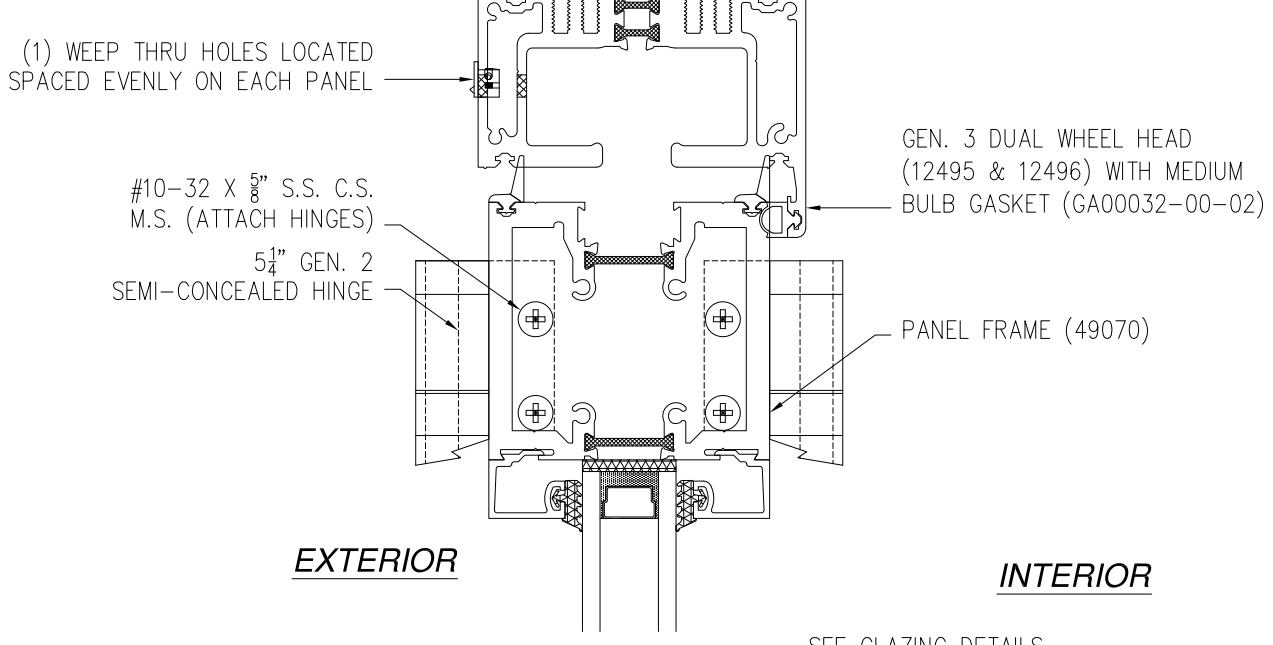
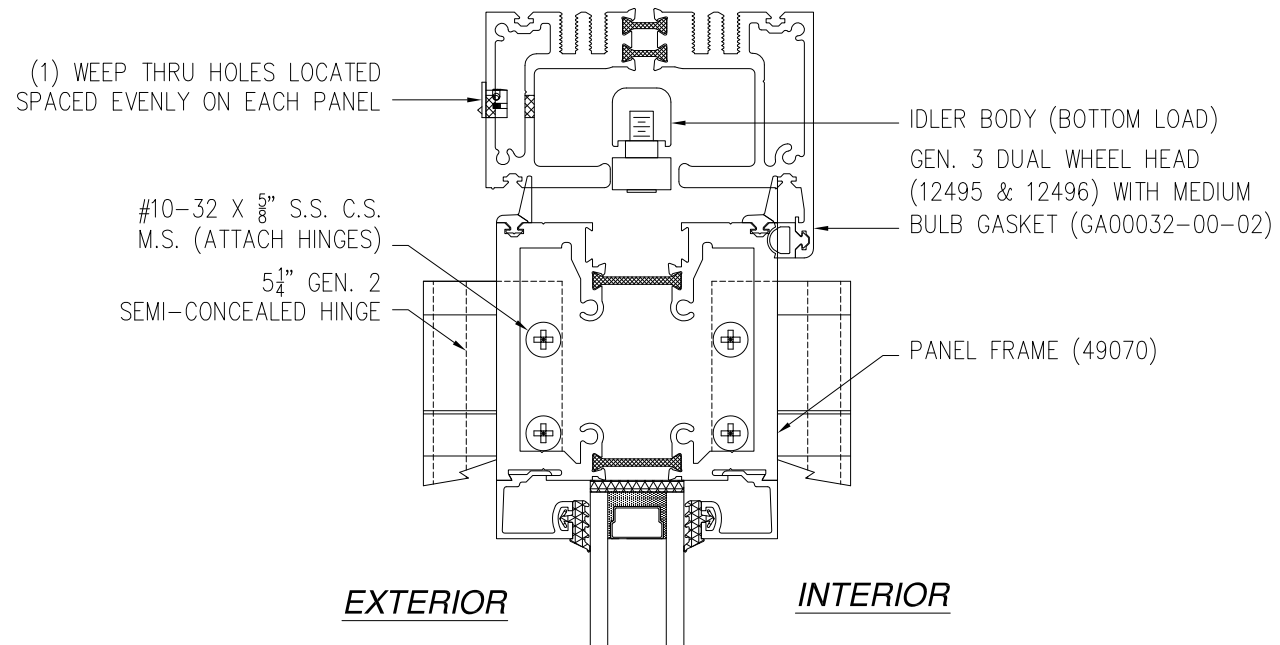
DRAWN: R.L.	DWG NO. 08-03866	REV -
SCALE NTS	DATE 11/03/22	SHEET 4 OF 13

L. ROBERTO LOMAS P.E.
 400 S. PALM AVE, INDIANLANTIC, FL 32903
 434-688-0609 rllomas@rlomaspe.com

SIGNED: 12/19/2022

Luis R. Lomas P.E.
 FL No.: 62514

REVISIONS			
REV	DESCRIPTION	DATE	APPROVED



SIGNED: 12/19/2022

THERMA-TRU CORPORATION
1750 INDIAN WOOD CIRCLE
MAUMEE, OH 43537

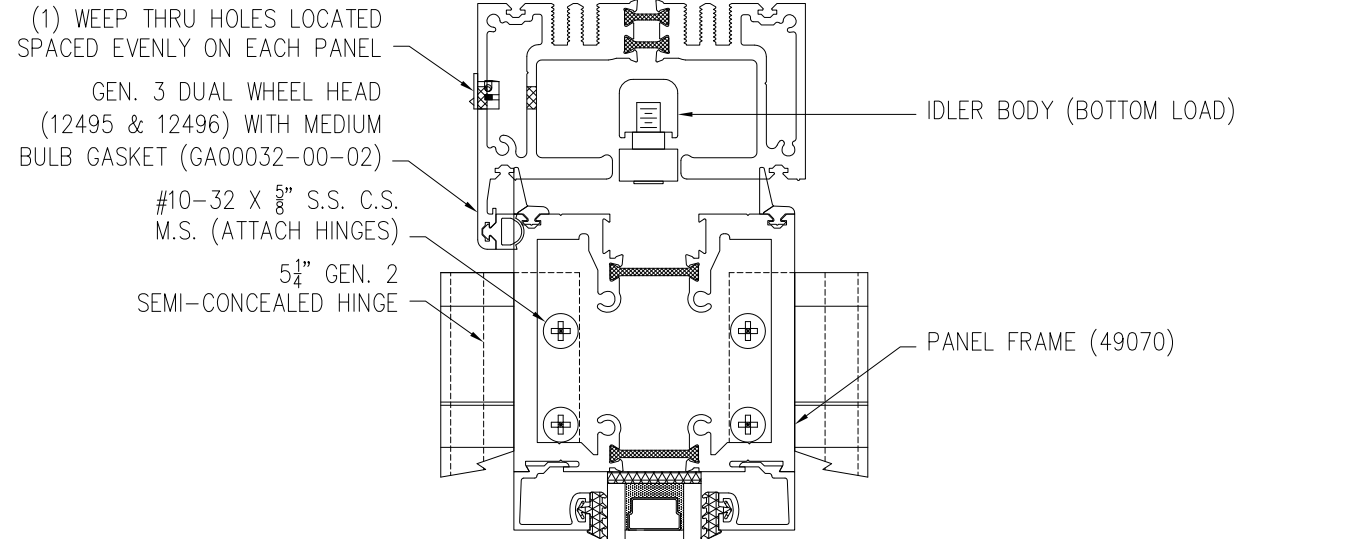
SERIES V-3 STANDARD IN/OUT ALUMINUM FGW
NON-IMPACT
OUTSWING VERTICAL CROSS SECTIONS

DRAWN: R.L.	DWG NO. 08-03866	REV -
SCALE NTS	DATE 11/03/22	SHEET 5 OF 13

L. ROBERTO LOMAS P.E.
400 S. PALM AVE, INDIALANTIC, FL 32903
434-688-0609 rllomas@rlomaspe.com

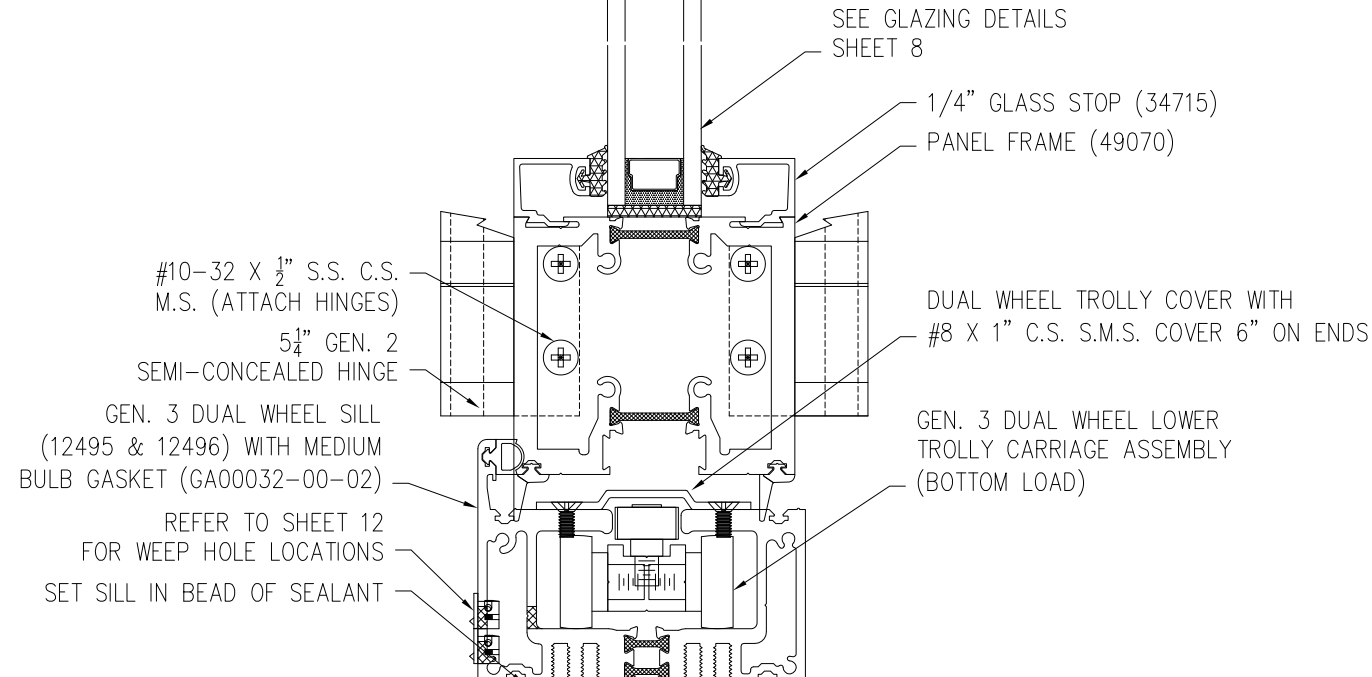
Luis R. Lomas P.E.
FL No.: 62514

REVISIONS			
REV	DESCRIPTION	DATE	APPROVED

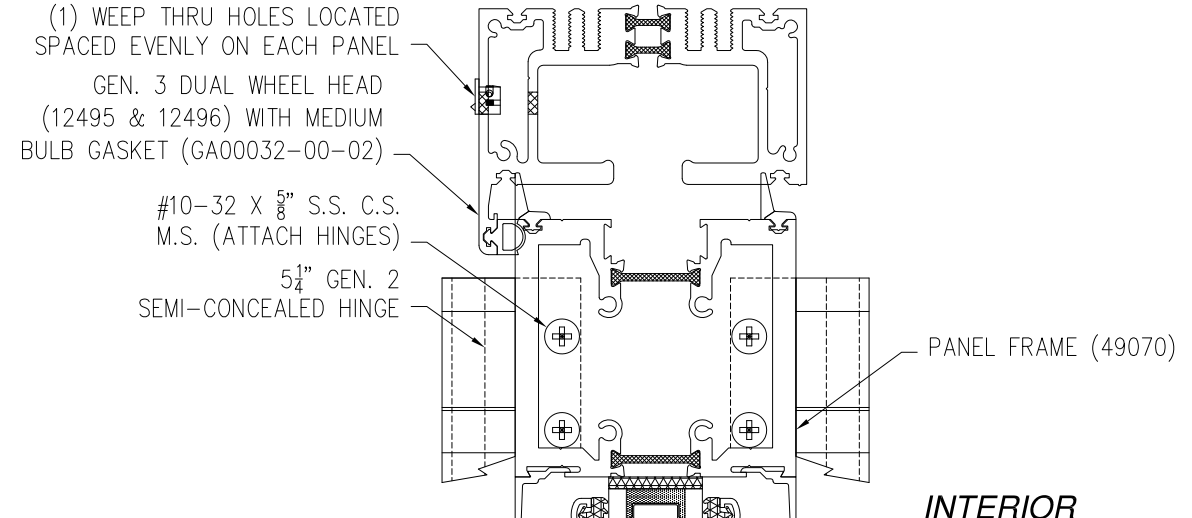


EXTERIOR

INTERIOR

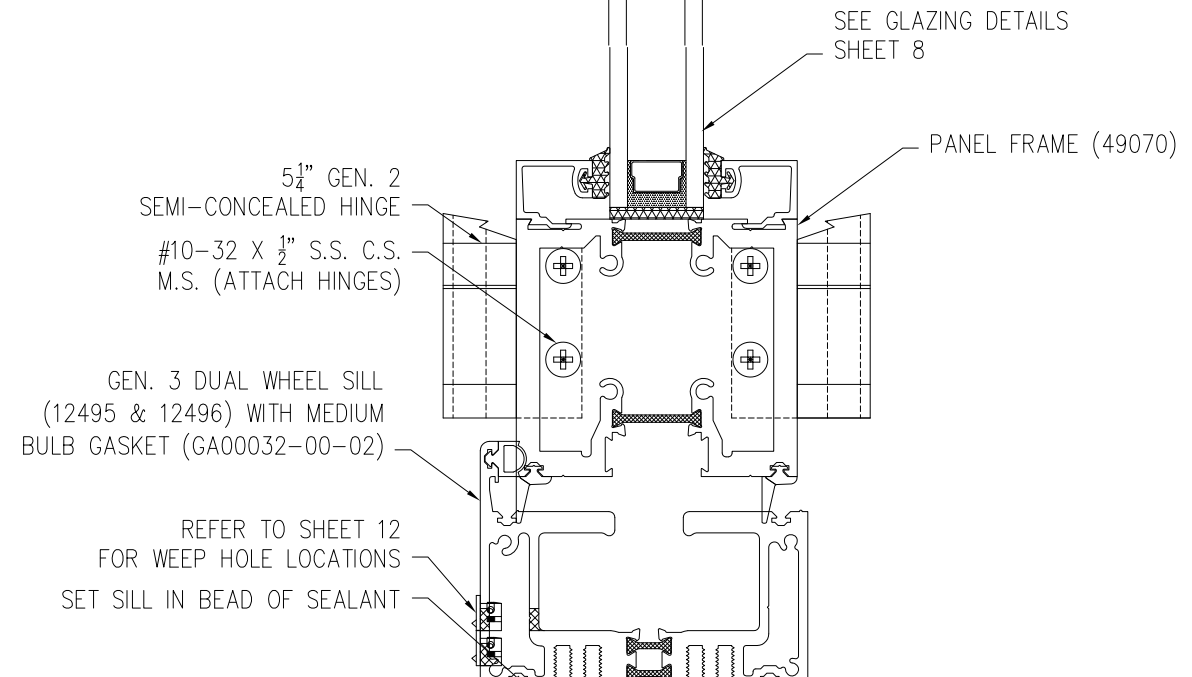


VERTICAL CROSS SECTION
BOTTOM LOAD SILL



EXTERIOR

INTERIOR



VERTICAL CROSS SECTION
STANDARD

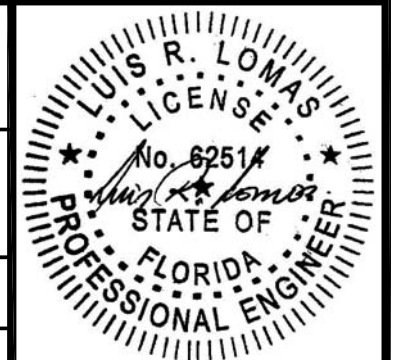
THERMA-TRU CORPORATION
1750 INDIAN WOOD CIRCLE
MAUMEE, OH 43537

SERIES V-3 STANDARD IN/OUT ALUMINUM FGW
NON-IMPACT
INSWING VERTICAL CROSS SECTIONS

DRAWN: R.L.	DWG NO. 08-03866	REV -
SCALE NTS	DATE 11/03/22	SHEET 6 OF 13

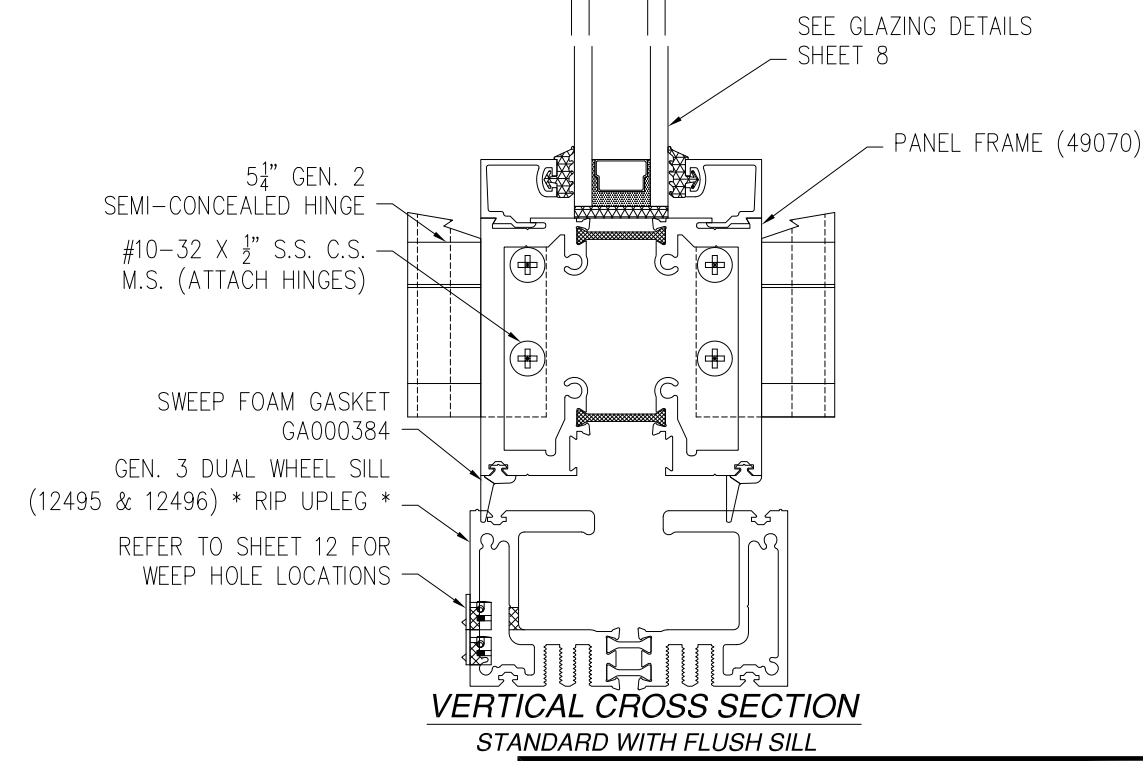
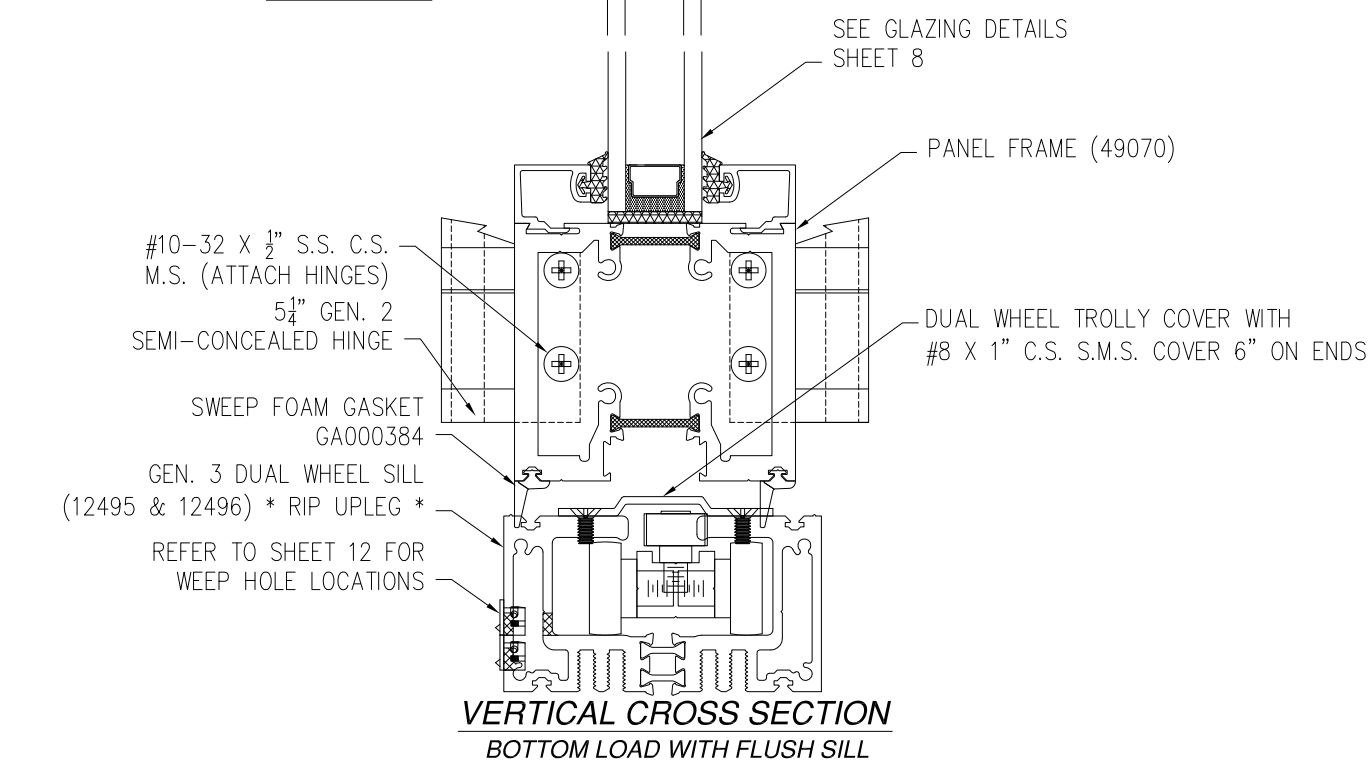
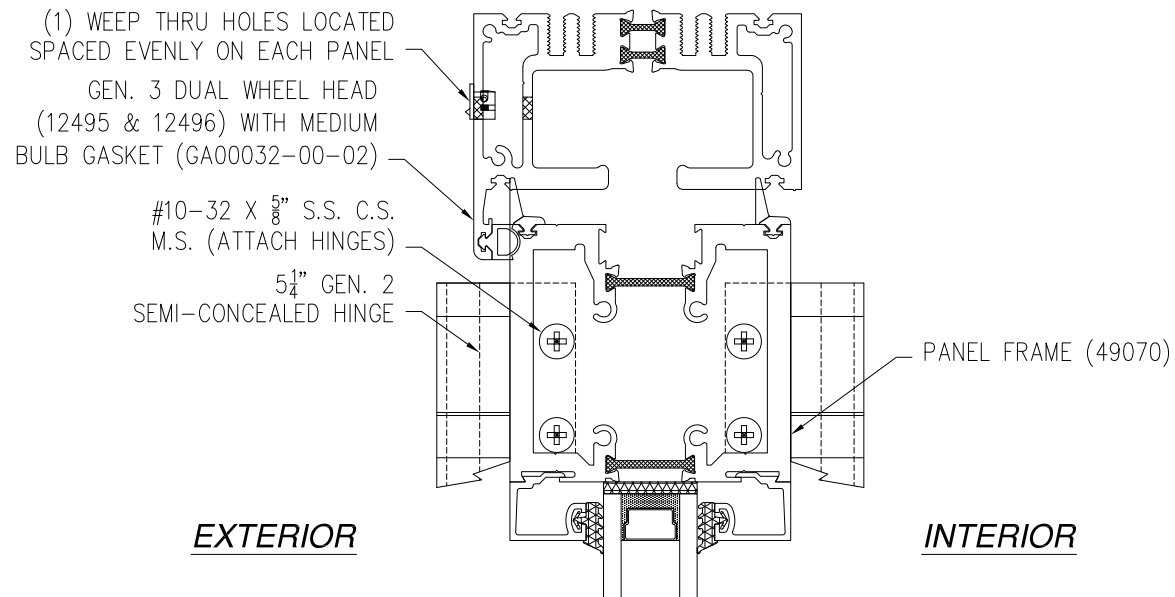
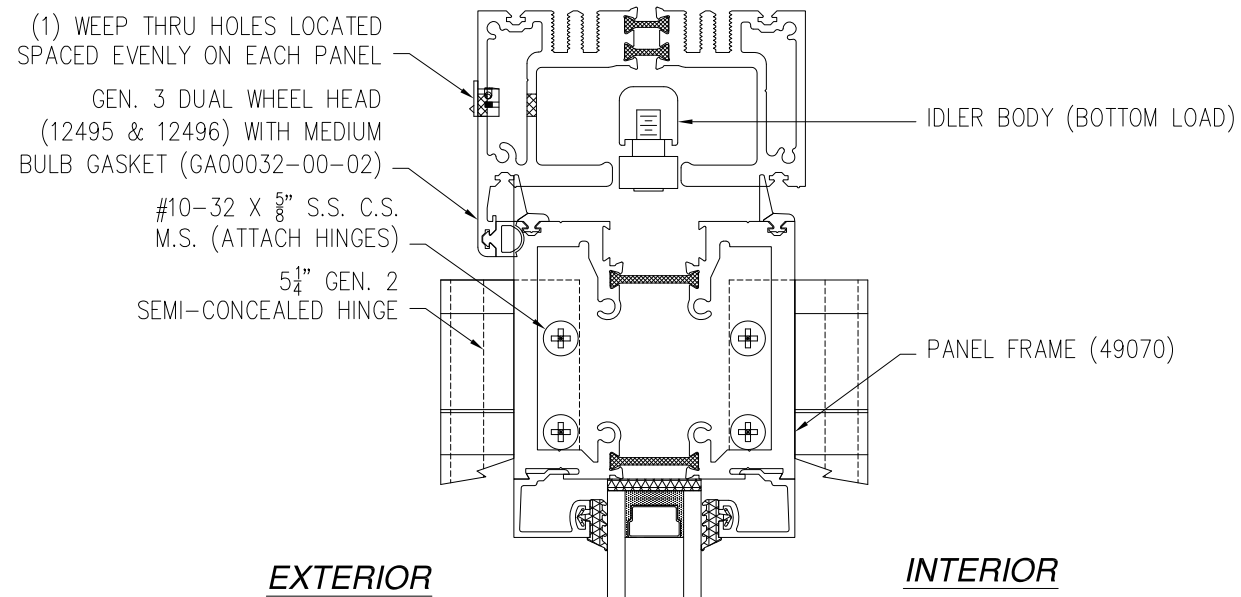
L. ROBERTO LOMAS P.E.
400 S. PALM AVE, INDIALANTIC, FL 32903
434-688-0609 rllomas@rlomaspe.com

SIGNED: 12/19/2022



Luis R. Lomas P.E.
FL No.: 62514

REVISIONS			
REV	DESCRIPTION	DATE	APPROVED



THERMA-TRU CORPORATION
 1750 INDIAN WOOD CIRCLE
 MAUMEE, OH 43537

SERIES V-3 STANDARD IN/OUT ALUMINUM FGW
 NON-IMPACT
 INSWING VERTICAL CROSS SECTIONS

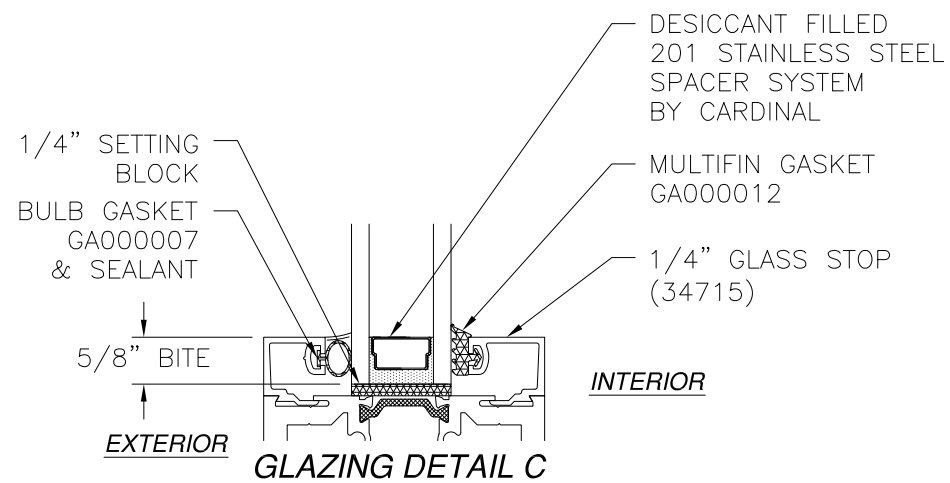
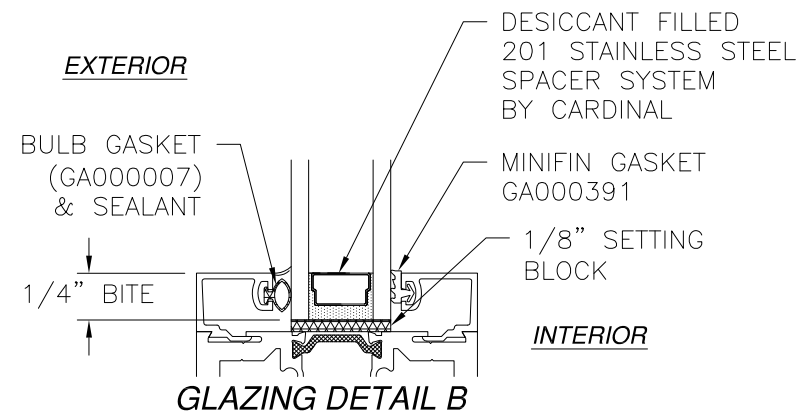
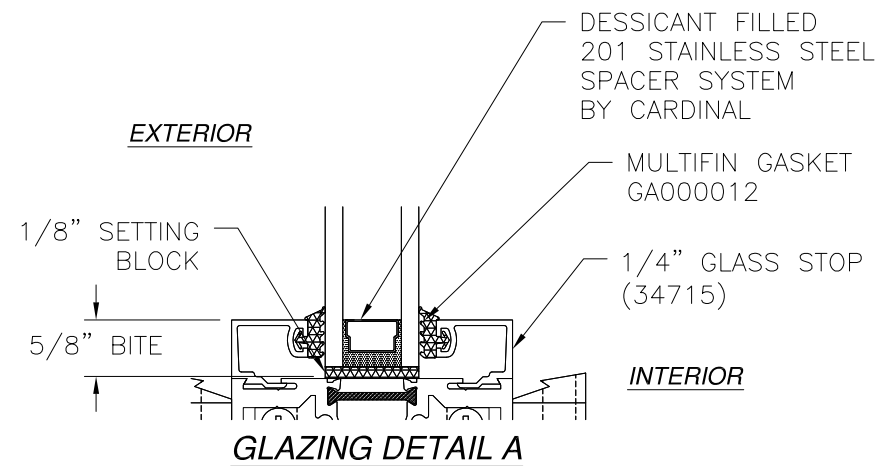
DRAWN: R.L.	DWG NO. 08-03866	REV -
SCALE NTS	DATE 11/03/22	SHEET 7 OF 13

L. ROBERTO LOMAS P.E.
 400 S. PALM AVE, INDIALANTIC, FL 32903
 434-688-0609 rllomas@rlomaspe.com

SIGNED: 12/19/2022

Luis R. Lomas P.E.
 FL No.: 62514

REVISIONS			
REV	DESCRIPTION	DATE	APPROVED



NOTE:
GLASS FOR ALL CONFIGURATIONS MUST BE
SAFETY GLASS

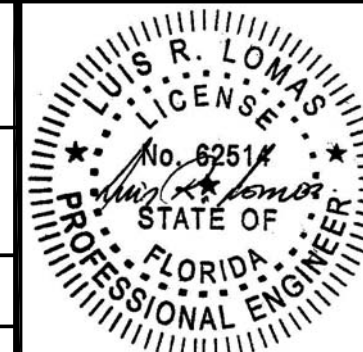
SIGNED: 12/19/2022

THERMA-TRU CORPORATION
1750 INDIAN WOOD CIRCLE
MAUMEE, OH 43537

SERIES V-3 STANDARD IN/OUT ALUMINUM FGW
NON-IMPACT
GLAZING DETAILS

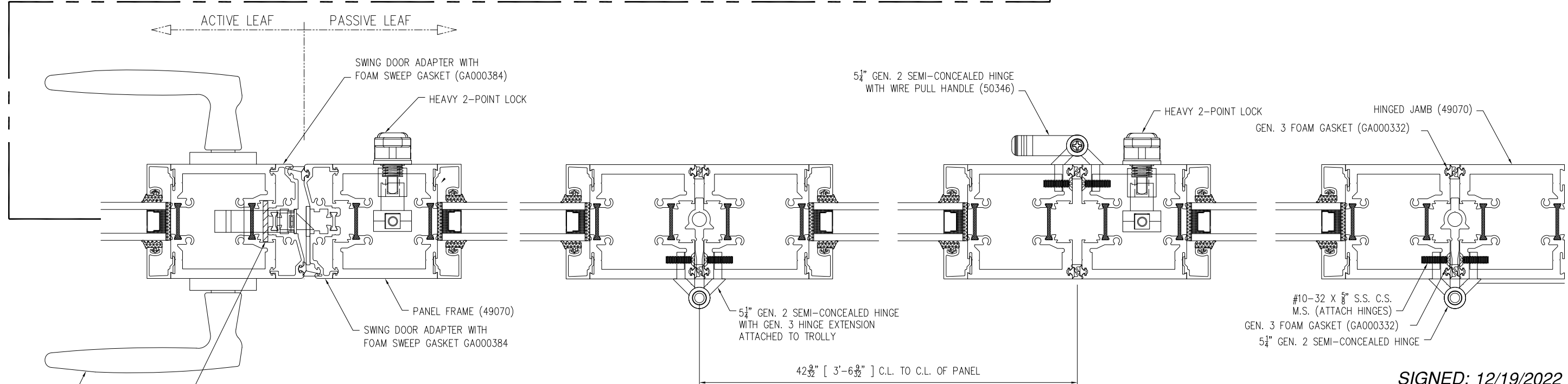
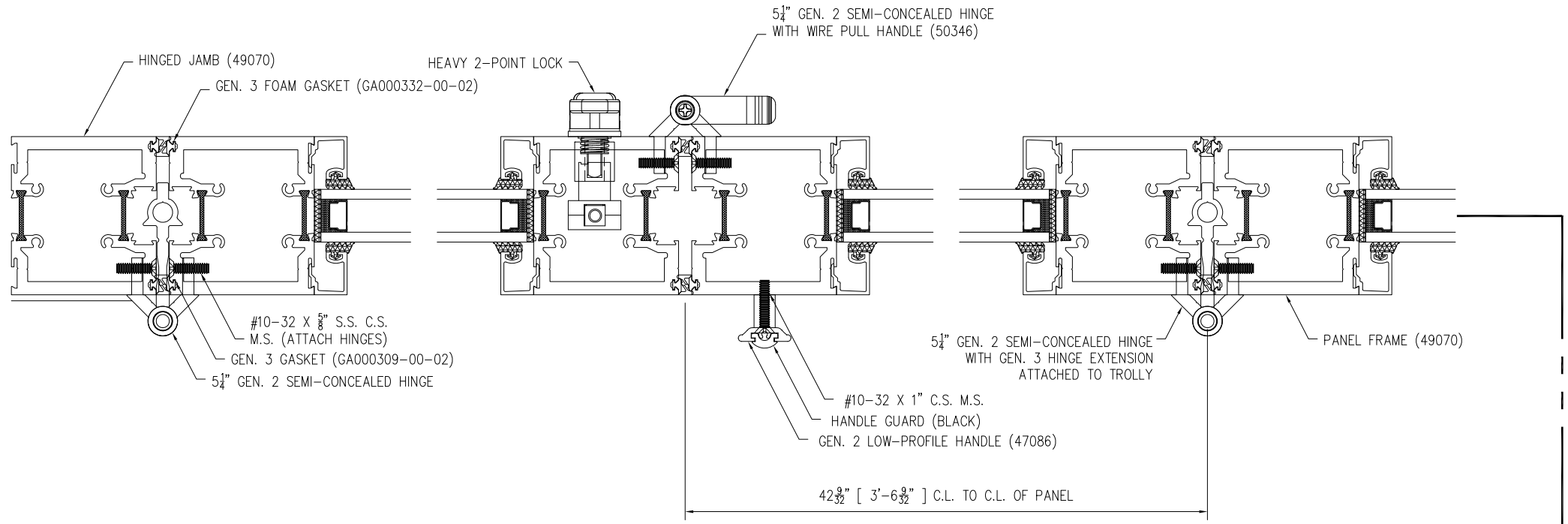
DRAWN: R.L.	DWG NO. 08-03866	REV -
SCALE NTS	DATE 11/03/22	SHEET 8 OF 13

L. ROBERTO LOMAS P.E.
400 S. PALM AVE, INDIALANTIC, FL 32903
434-688-0609 rllomas@rlomaspe.com



Luis R. Lomas P.E.
FL No.: 62514

REVISIONS			
REV	DESCRIPTION	DATE	APPROVED



"TORONTO" SWING DOOR LEVER
 1/8" X 1 1/16" ALUMINUM SHIM ATTACHED
 WITH #8 X 1 1/2" COUNTERSUNK S.M.S.

HORIZONTAL CROSS SECTION
OUTSWING SHOWN, INSWING SIMILAR

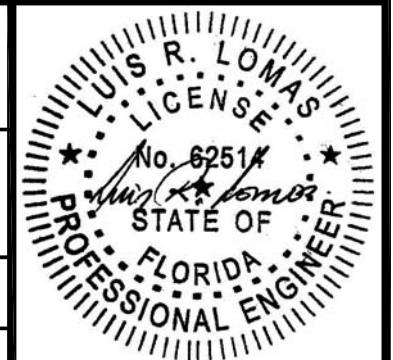
SIGNED: 12/19/2022

THERMA-TRU CORPORATION
 1750 INDIAN WOOD CIRCLE
 MAUMEE, OH 43537

SERIES V-3 STANDARD IN/OUT ALUMINUM FGW
 NON-IMPACT
 HORIZONTAL CROSS SECTION

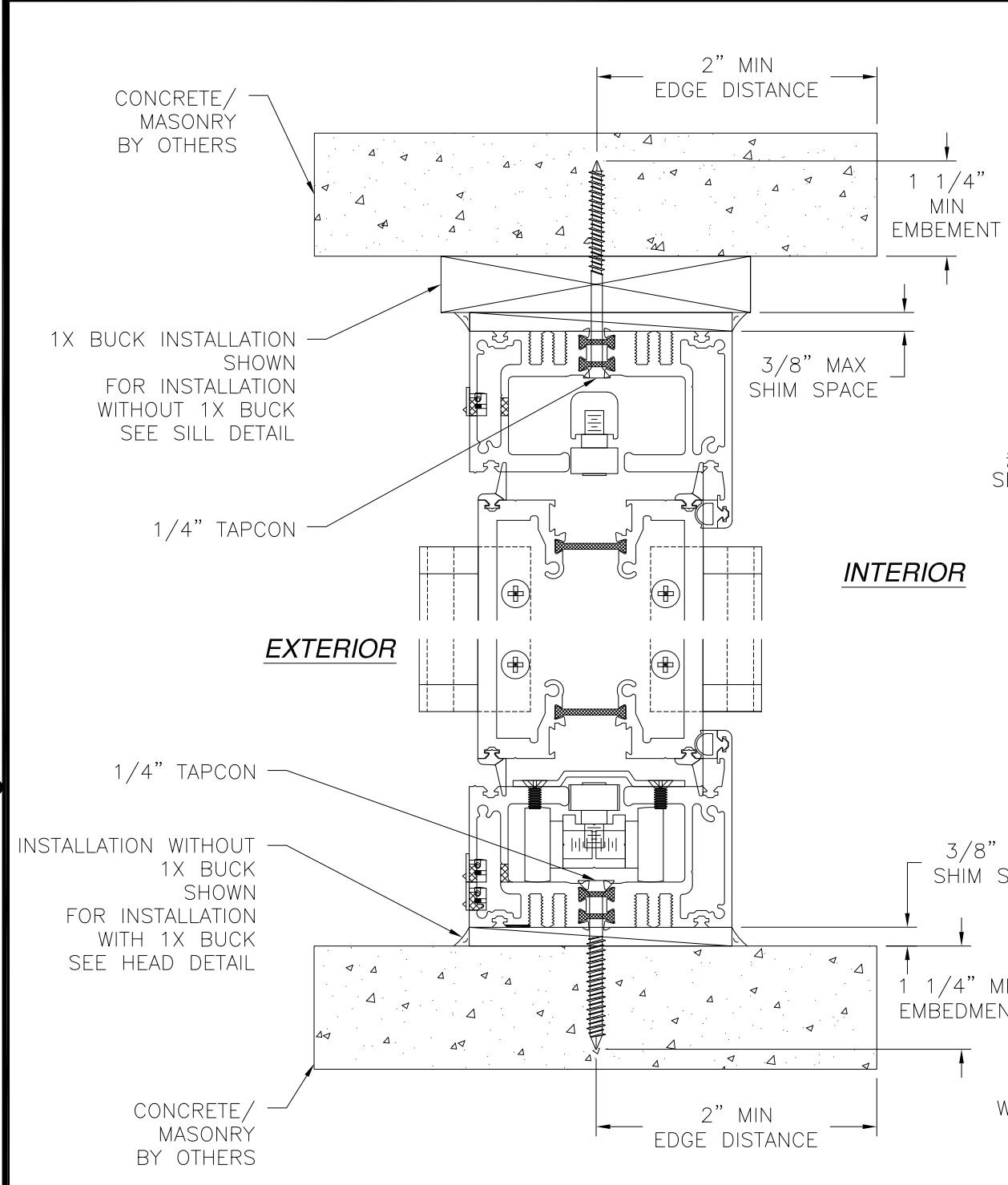
DRAWN: R.L.	DWG NO. 08-03866	REV -
SCALE NTS	DATE 11/03/22	SHEET 9 OF 13

L. ROBERTO LOMAS P.E.
 400 S. PALM AVE, INDIALANTIC, FL 32903
 434-688-0609 rllomas@rlomaspe.com

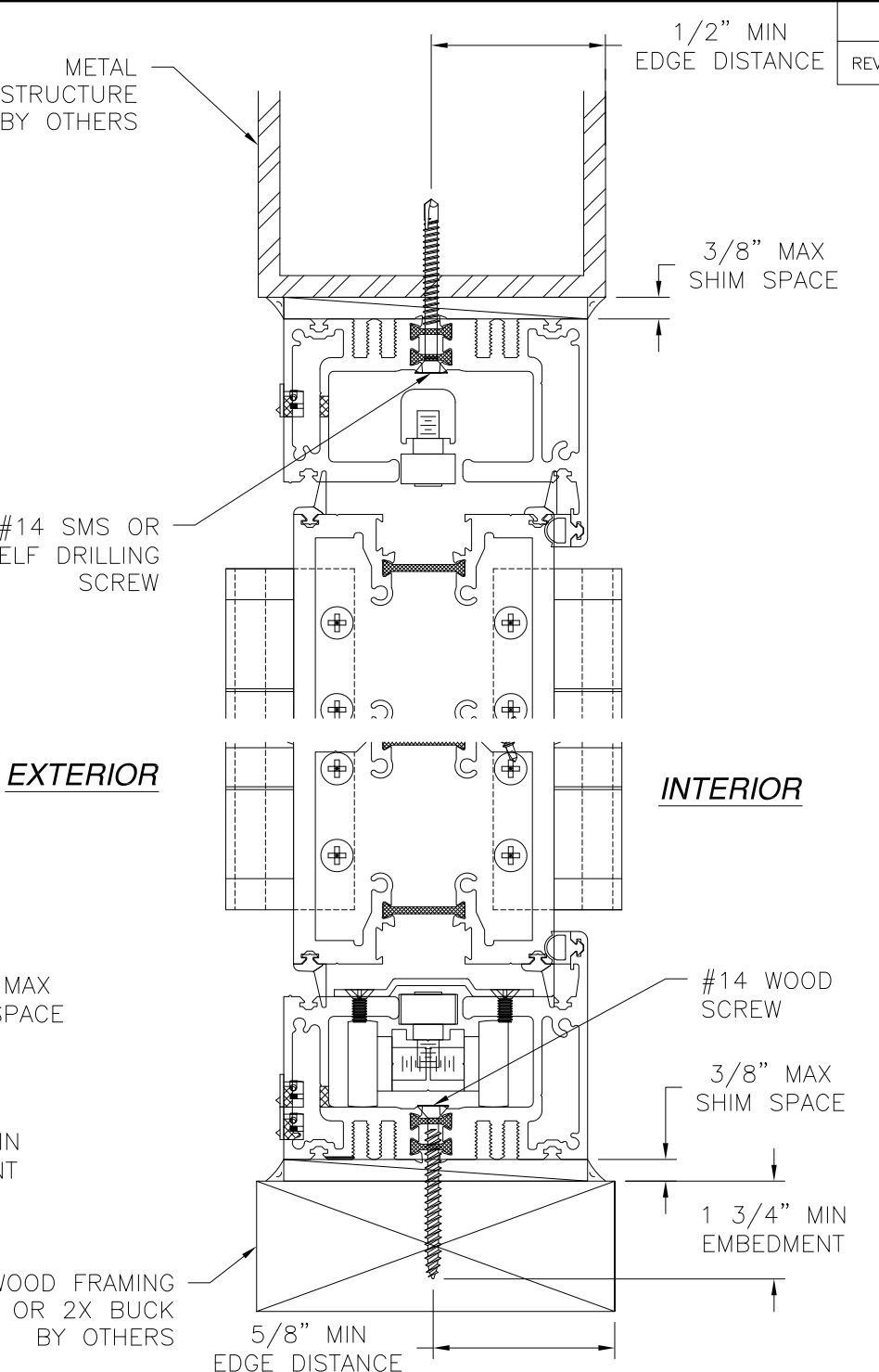


Luis R. Lomas P.E.
 FL No.: 62514

REVISIONS			
REV	DESCRIPTION	DATE	APPROVED



VERTICAL CROSS SECTION
 CONCRETE/MASONRY INSTALLATION
 OUTSWING SHOWN, INSWING SIMILAR



VERTICAL CROSS SECTION
 WOOD FRAMING OR 2X BUCK
 OR METAL STRUCTURE INSTALLATION
 OUTSWING SHOWN, INSWING SIMILAR

- NOTES:**
1. INTERIOR AND EXTERIOR FINISHES, BY OTHERS, NOT SHOWN FOR CLARITY.
 2. PERIMETER AND JOINT SEALANT BY OTHERS TO BE DESIGNED IN ACCORDANCE WITH ASTM E2112

SIGNED: 12/19/2022

THERMA-TRU CORPORATION
 1750 INDIAN WOOD CIRCLE
 MAUMEE, OH 43537

SERIES V-3 STANDARD IN/OUT ALUMINUM FGW
 NON-IMPACT
 INSTALLATION DETAILS

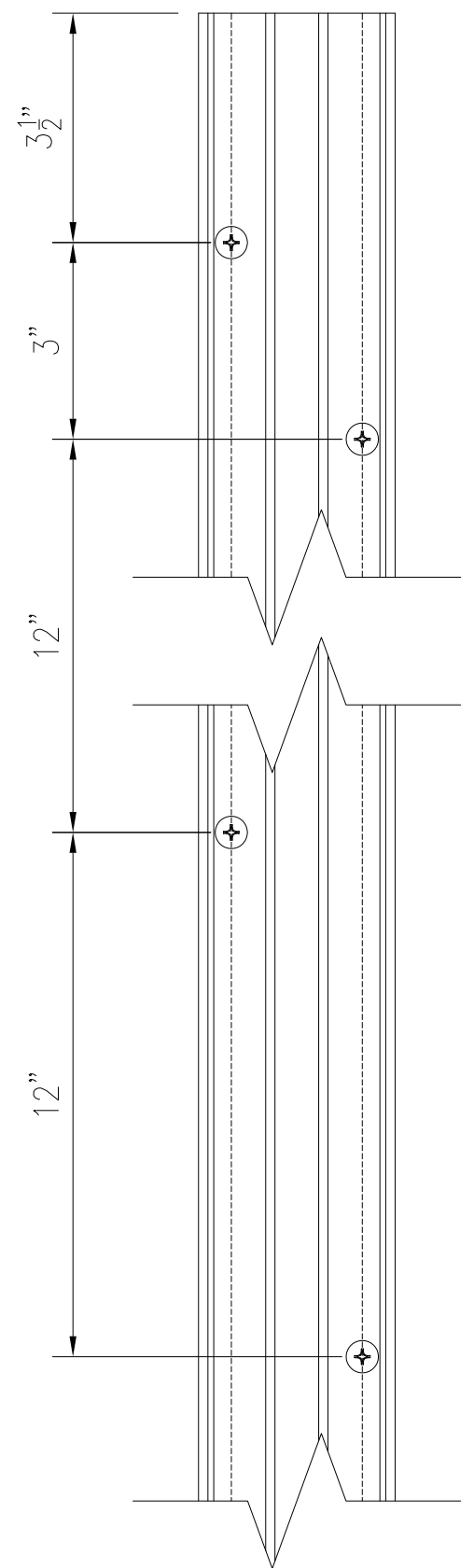
DRAWN: R.L.	DWG NO. 08-03866	REV -
SCALE NTS	DATE 11/03/22	SHEET 10 OF 13

L. ROBERTO LOMAS P.E.
 400 S. PALM AVE, INDIALANTIC, FL 32903
 434-688-0609 rllomas@rlomaspe.com

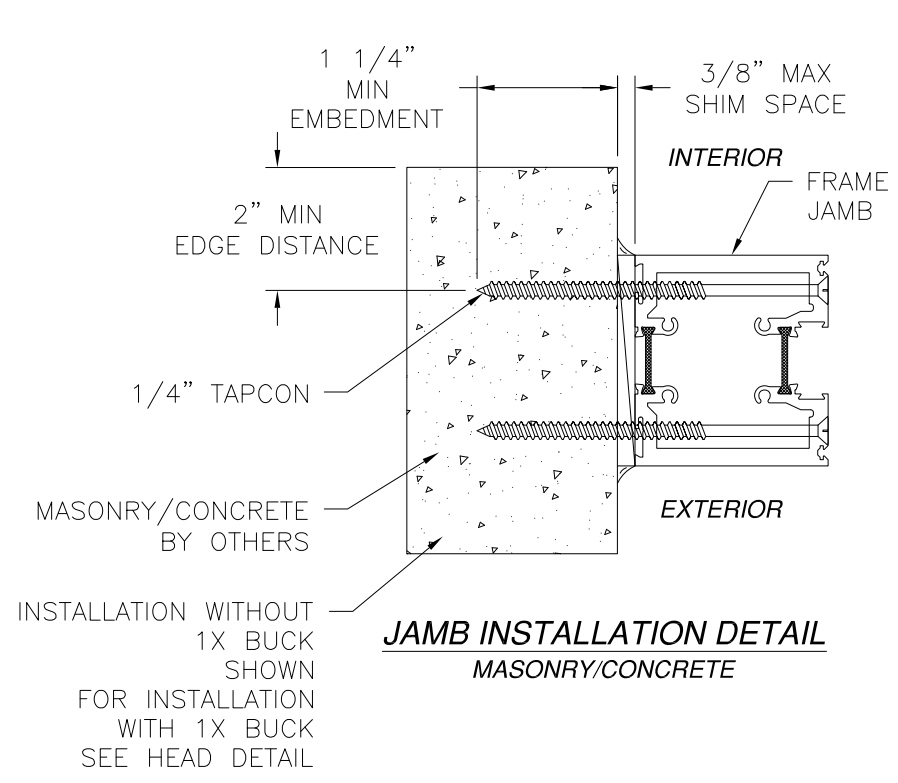


Luis R. Lomas P.E.
 FL No.: 62514

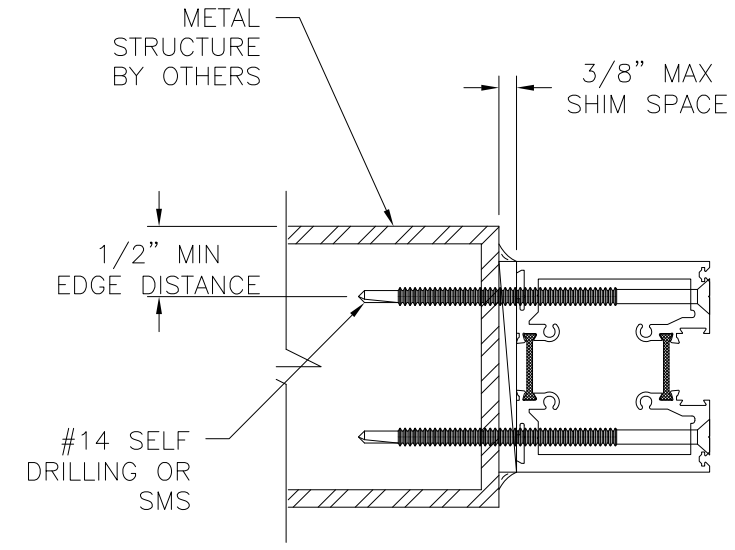
REVISIONS			
REV	DESCRIPTION	DATE	APPROVED



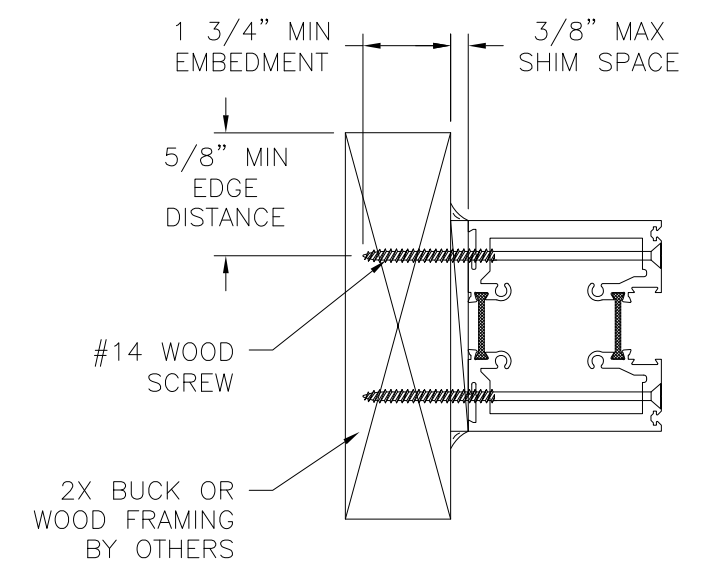
**JAMB ANCHOR LOCATIONS
DETAIL**



**JAMB INSTALLATION DETAIL
MASONRY/CONCRETE**



**JAMB INSTALLATION DETAIL
METAL STRUCTURE**



**JAMB INSTALLATION DETAIL
2X BUCK OR WOOD FRAMING**

- NOTES:**
1. INTERIOR AND EXTERIOR FINISHES, BY OTHERS, NOT SHOWN FOR CLARITY.
 2. PERIMETER AND JOINT SEALANT BY OTHERS TO BE DESIGNED IN ACCORDANCE WITH ASTM E2112

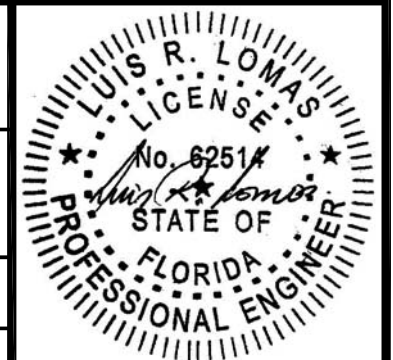
SIGNED: 12/19/2022

THERMA-TRU CORPORATION
1750 INDIAN WOOD CIRCLE
MAUMEE, OH 43537

SERIES V-3 STANDARD IN/OUT ALUMINUM FGW
NON-IMPACT
INSTALLATION DETAILS

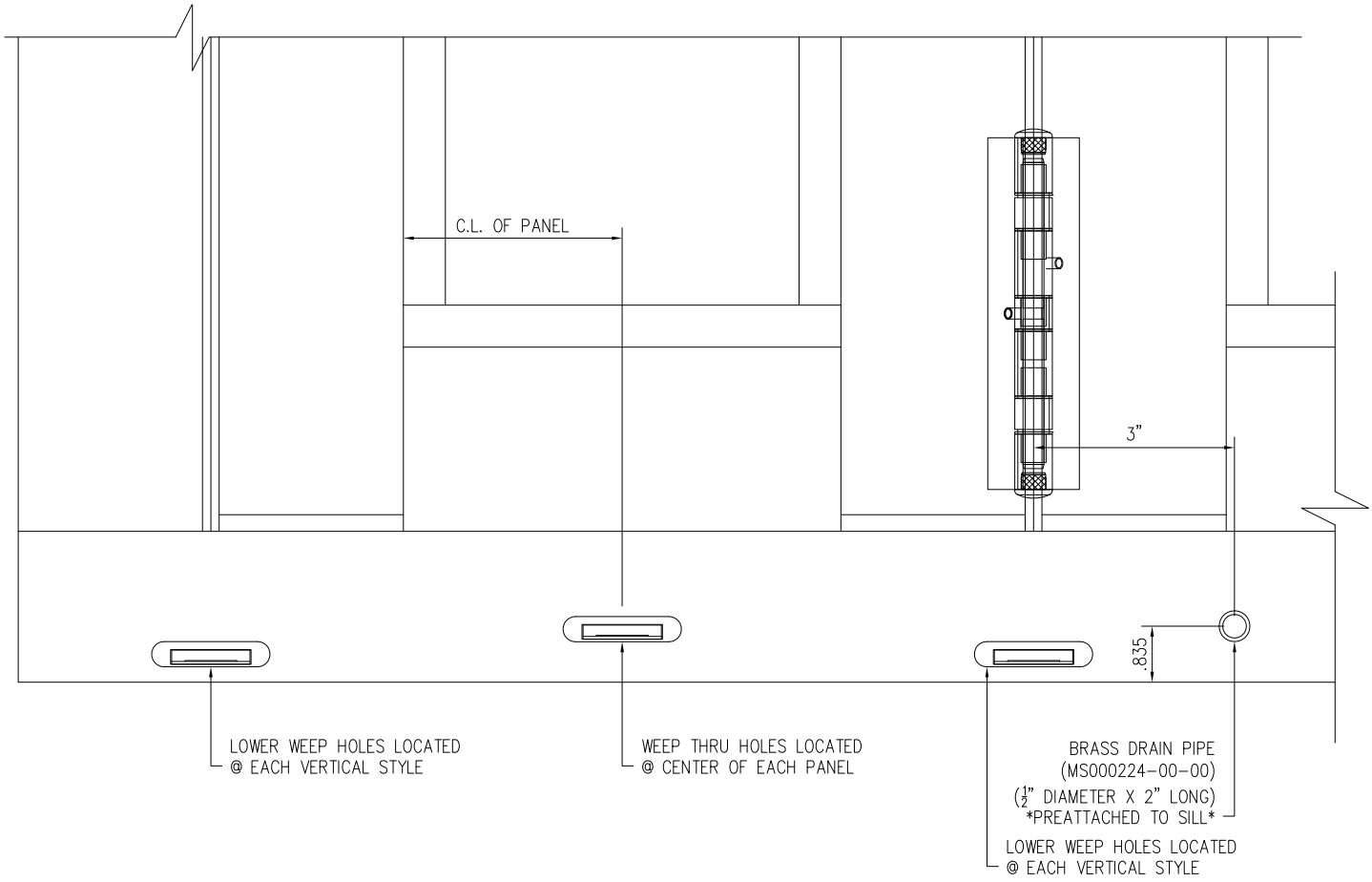
DRAWN: R.L.	DWG NO. 08-03866	REV -
SCALE NTS	DATE 11/03/22	SHEET 11 OF 13

L. ROBERTO LOMAS P.E.
400 S. PALM AVE, INDIALANTIC, FL 32903
434-688-0609 rllomas@rlomaspe.com

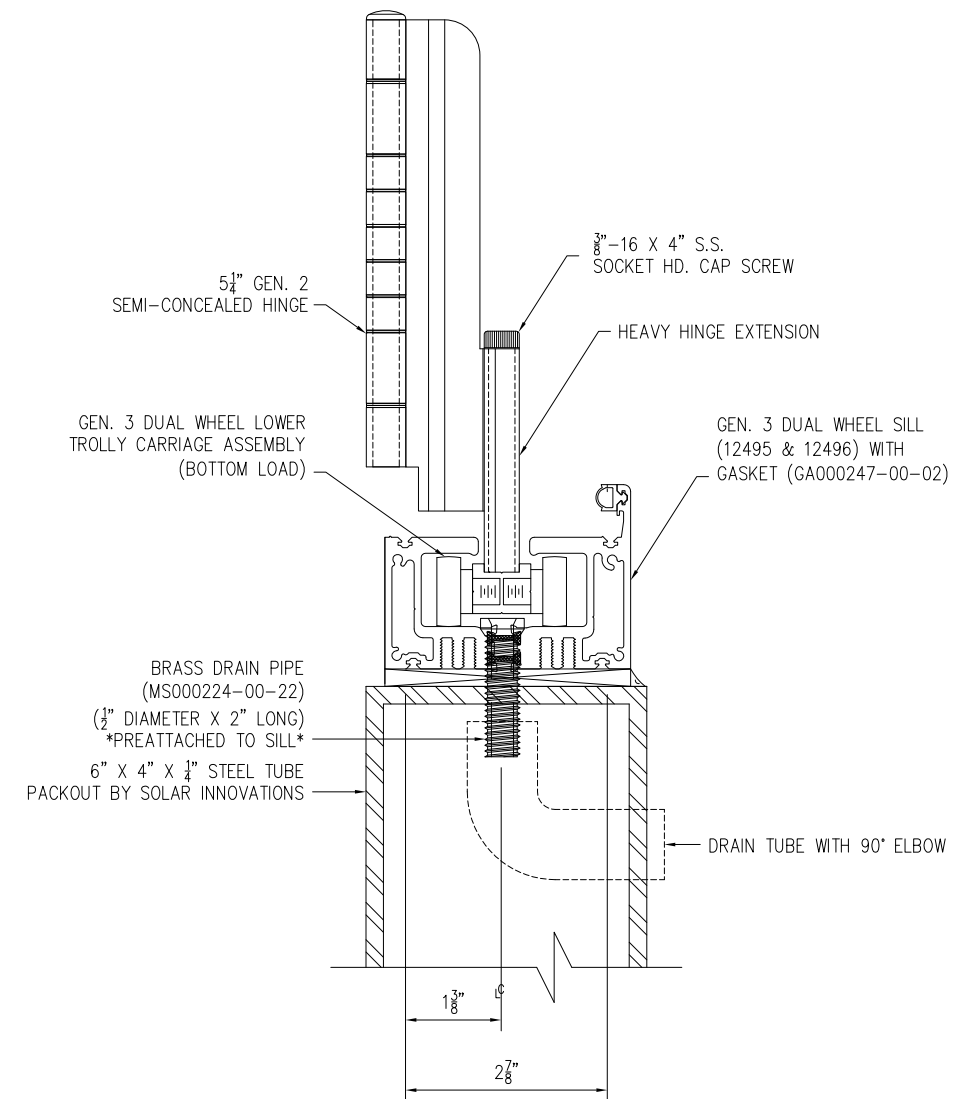


Luis R. Lomas P.E.
FL No.: 62514

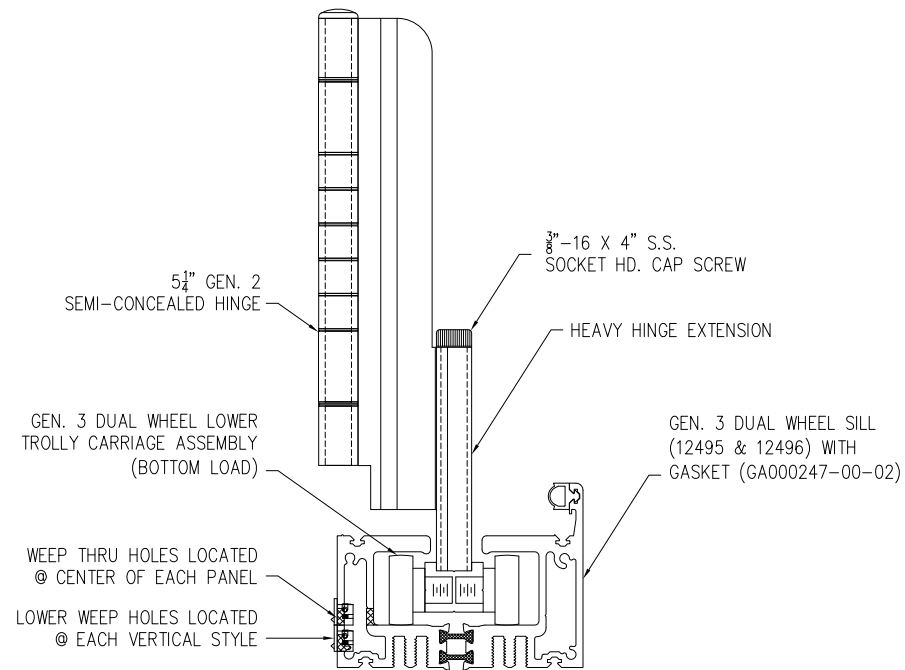
REVISIONS			
REV	DESCRIPTION	DATE	APPROVED



WEEP HOLES DETAILS



DRAIN PIPE AND HINGE EXTENSION DETAIL



WEEP HOLES AND HINGE EXTENSION DETAIL

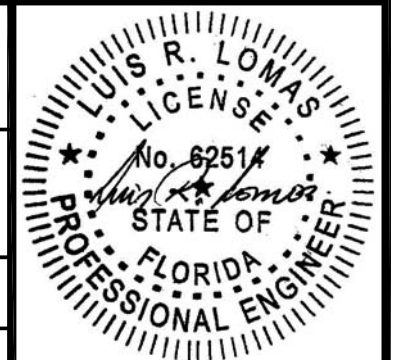
SIGNED: 12/19/2022

THERMA-TRU CORPORATION
 1750 INDIAN WOOD CIRCLE
 MAUMEE, OH 43537

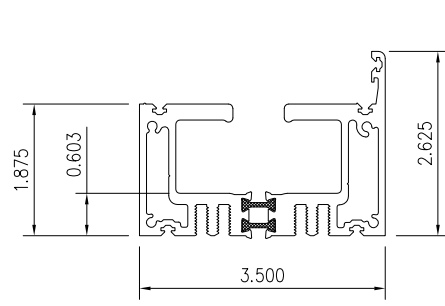
SERIES V-3 STANDARD IN/OUT ALUMINUM FGW
 NON-IMPACT
 WEEP HOLES DETAILS

DRAWN: R.L.	DWG NO. 08-03866	REV -
SCALE NTS	DATE 11/03/22	SHEET 12 OF 13

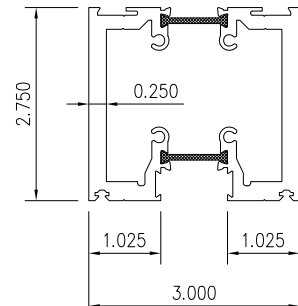
L. ROBERTO LOMAS P.E.
 400 S. PALM AVE, INDIALANTIC, FL 32903
 434-688-0609 rllomas@rlomaspe.com



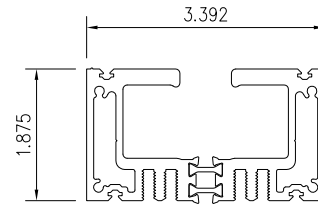
Luis R. Lomas P.E.
 FL No.: 62514



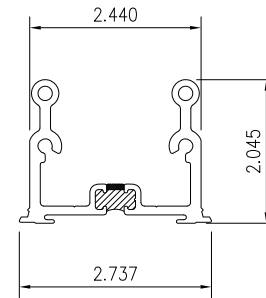
DUAL WHEEL
HEAD / SILL



FRAME

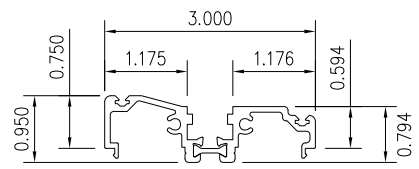


FLUSH
SILL

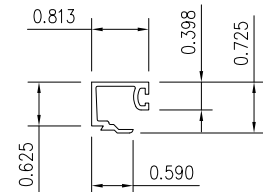


FRAME
LUG

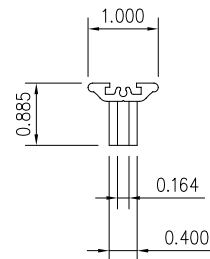
REVISIONS			
REV	DESCRIPTION	DATE	APPROVED



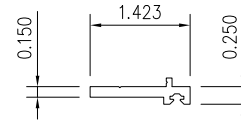
3rd GENERATION
DOOR ADAPTOR



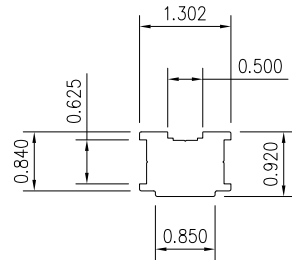
1/4" GLASS
STOP



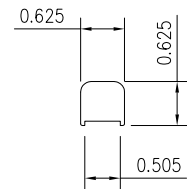
2nd GENERATION
HANDLE



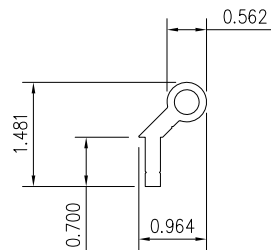
FRAME
CAP



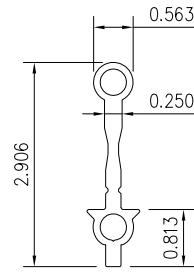
TROLLEY
BODY



IDLER
BODY



5 1/4" SEMI-
CONCEALED HINGE



HINGE
EXTENSION

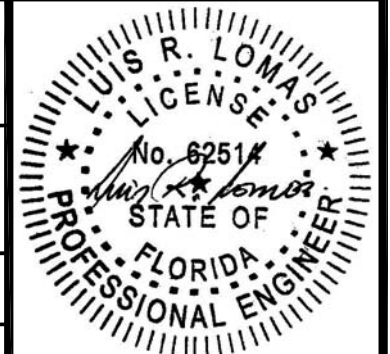
SIGNED: 12/19/2022

THERMA-TRU CORPORATION
1750 INDIAN WOOD CIRCLE
MAUMEE, OH 43537

SERIES V-3 STANDARD IN/OUT ALUMINUM FGW
NON-IMPACT
COMPONENTS

DRAWN: R.L.	DWG NO. 08-03866	REV -
SCALE NTS	DATE 11/03/22	SHEET 13 OF 13

L. ROBERTO LOMAS P.E.
400 S. PALM AVE, INDIALANTIC, FL 32903
434-688-0609 rllomas@rlomaspe.com



Luis R. Lomas P.E.
FL No.: 62514