

REVISIONS			
REV	DESCRIPTION	DATE	APPROVED

NOTES:

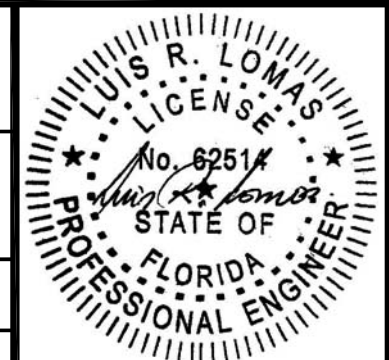
1. THE PRODUCT SHOWN HEREIN IS DESIGNED AND MANUFACTURED TO COMPLY WITH REQUIREMENTS OF THE FLORIDA BUILDING CODE INCLUDING THE HVHZ.
2. WOOD FRAMING AND MASONRY OPENING TO BE DESIGNED AND ANCHORED TO PROPERLY TRANSFER ALL LOADS TO STRUCTURE. FRAMING AND MASONRY OPENING IS THE RESPONSIBILITY OF THE ARCHITECT OR ENGINEER OF RECORD.
3. WHERE SHIM OR BUCK THICKNESS IS LESS THAN 1-1/2" WINDOW UNITS MUST BE ANCHORED THROUGH THE FRAME IN ACCORDANCE WITH MANUFACTURER'S PUBLISHED INSTALLATION INSTRUCTIONS. ANCHORS SHALL BE SECURELY FASTENED DIRECTLY INTO MASONRY, CONCRETE OR OTHER STRUCTURAL SUBSTRATE MATERIAL.
4. WHERE WOOD BUCK THICKNESS IS 1-1/2" OR GREATER, BUCK SHALL BE SECURELY FASTENED TO MASONRY, CONCRETE OR OTHER STRUCTURAL SUBSTRATE. WINDOW UNITS MAY BE ANCHORED THROUGH FRAME TO SECURED WOOD BUCK IN ACCORDANCE WITH MANUFACTURER'S PUBLISHED INSTALLATION INSTRUCTIONS.
5. WHERE 1X BUCK IS NOT USED DISSIMILAR MATERIALS MUST BE SEPARATED WITH APPROVED COATING OR MEMBRANE. SELECTION OF COATING OR MEMBRANE IS THE RESPONSIBILITY OF THE ARCHITECT OR ENGINEER OF RECORD.
6. BUCKS SHALL EXTEND BEYOND WINDOW INTERIOR FACE SO THAT FULL FRAME SUPPORT IS PROVIDED.
7. SHIM AS REQUIRED AT EACH ANCHOR LOCATION WITH LOAD BEARING SHIM. SHIM WHERE SPACE OF 1/16" OR GREATER OCCURS. MAXIMUM ALLOWABLE SHIM STACK TO BE 3/8".
8. SHIMS SHALL BE LOCATED, APPLIED AND MADE FROM MATERIALS AND THICKNESS CAPABLE OF SUSTAINING APPLICABLE LOADS.
9. WIND LOAD DURATION FACTOR Cd=1.6 WAS USED FOR WOOD ANCHOR CALCULATIONS.
10. FRAME MATERIAL: EXTRUDED ALUMINUM 6063-T5 AND 6063-T6.
11. UNITS MUST BE GLAZED PER ASTM E1300, WITH SAFETY GLAZING.
12. APPROVED IMPACT PROTECTIVE SYSTEM IS REQUIRED FOR THIS PRODUCT IN WIND BORNE DEBRIS REGIONS.
13. FOR ANCHORING THROUGH FRAME INTO WOOD FRAMING OR 2X BUCK USE #14 WOOD SCREWS IN HEAD AND JAMBS AND #10 WOOD SCREWS IN SILL WITH SUFFICIENT LENGTH TO ACHIEVE A 1 1/4" MINIMUM EMBEDMENT INTO SUBSTRATE. LOCATE ANCHORS AS SHOWN IN ELEVATIONS AND INSTALLATION DETAILS.

14. FOR ANCHORING THROUGH FRAME INTO MASONRY/CONCRETE USE 3/16" OR 1/4" TAPCONS WITH SUFFICIENT LENGTH TO ACHIEVE A 1 1/4" MINIMUM EMBEDMENT INTO SUBSTRATE WITH 2" MINIMUM EDGE DISTANCE. LOCATE ANCHORS AS SHOWN IN ELEVATIONS AND INSTALLATION DETAILS.
15. FOR ANCHORING THROUGH FRAME INTO METAL STRUCTURE USE #14 SMS OR SELF DRILLING SCREWS IN HEAD AND JAMBS AND #10 SMS OR SELF DRILLING SCREWS IN SILL WITH SUFFICIENT LENGTH TO ACHIEVE 3 THREADS MINIMUM BEYOND STRUCTURE INTERIOR WALL. LOCATE ANCHORS AS SHOWN IN ELEVATIONS AND INSTALLATION DETAILS.
16. ALL FASTENERS TO BE CORROSION RESISTANT.
17. INSTALLATION ANCHORS SHALL BE INSTALLED IN ACCORDANCE WITH ANCHOR MANUFACTURER'S INSTALLATION INSTRUCTIONS AND ANCHORS SHALL NOT BE USED IN SUBSTRATES WITH STRENGTHS LESS THAN THE MINIMUM STRENGTH SPECIFIED BELOW:
 - A. WOOD: MINIMUM SPECIFIC GRAVITY OF G=0.42
 - B. CONCRETE: MINIMUM COMPRESSIVE STRENGTH OF 2,000 PSI.
 - C. MASONRY: HOLLOW/FILLED BLOCK PER ASTM C90 WITH Fm=2,000PSI MINIMUM.
 - D. METAL STRUCTURE: STEEL 18GA (.048") FY=33KSI/FU=52KSI OR ALUMINUM 6063-T5 FU=30KSI .125" THICK MINIMUM

TABLE OF CONTENTS	
SHEET NO.	DESCRIPTION
1	NOTES
2	ELEVATION AND GLASS DETAILS
3 - 4	VERTICAL & HORIZONTAL CROSS SECTIONS
5 - 7	INSTALLATION DETAILS
8	COMPONENTS

THERMA-TRU 1750 INDIAN WOOD CIRCLE MAUMEE, OH 43537		
V-3 THERMALLY-BROKEN ALUMINUM FRENCH DOOR NON-IMPACT NOTES		
DRAWN: R.L.	DWG NO. 08-03872	REV -
SCALE NTS	DATE 12/19/2022	SHEET 1 OF 8
L. ROBERTO LOMAS P.E. 400 S. PALM AVE, INDIALANTIC, FL 32903 434-688-0609 rllomas@lrlomaspe.com		

SIGNED: 12/19/2022



Luis R. Lomas P.E.
FL No.: 62514

REVISIONS			
REV	DESCRIPTION	DATE	APPROVED

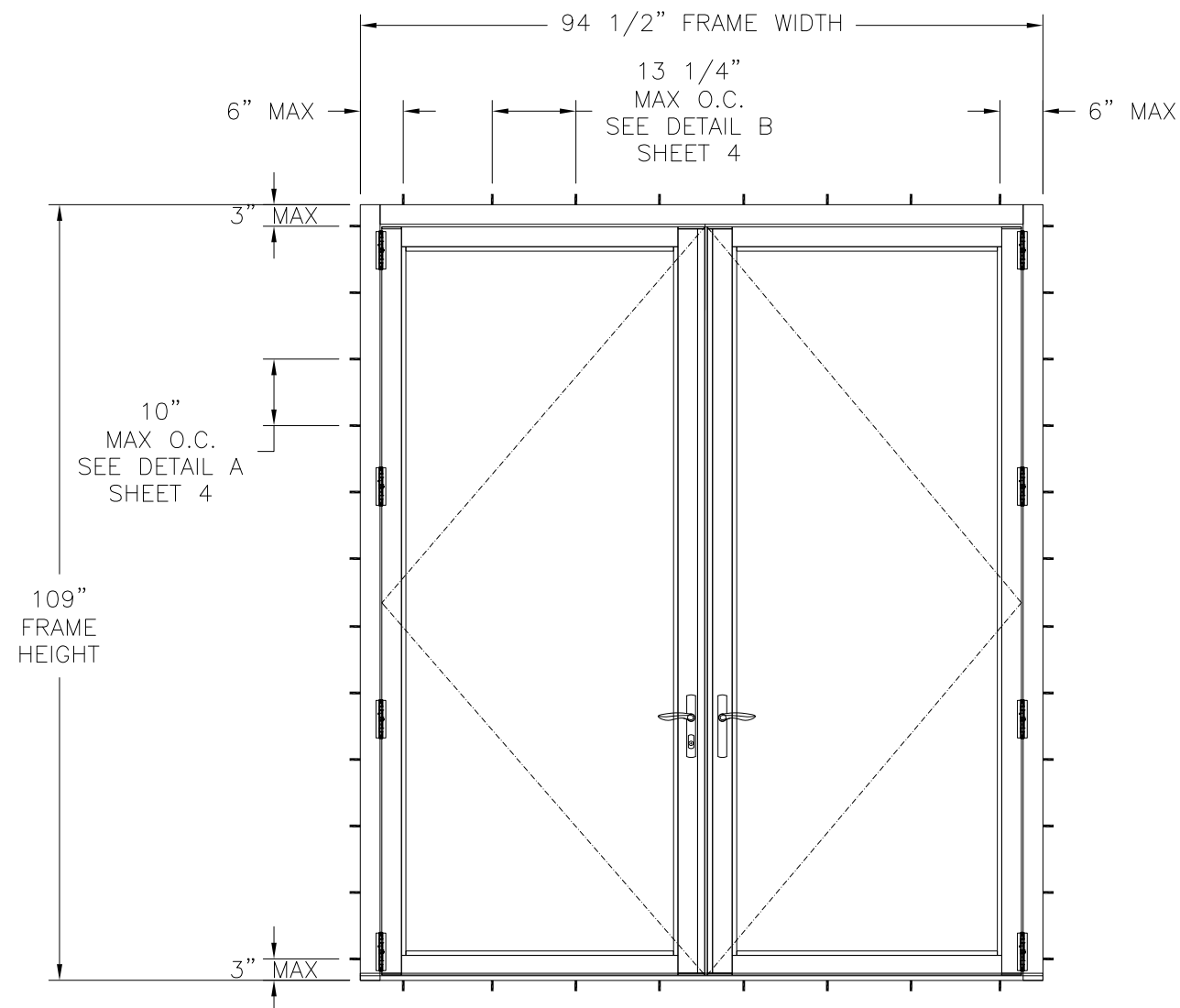


Chart #1
Maximum Design pressure (psf)

Panel Height (in)	Single Panel Width (in)											
	24.0		30.0		36.0		42.0		44.0		48.0	
	Pos	Neg	Pos	Neg	Pos	Neg	Pos	Neg	Pos	Neg	Pos	Neg
78.0	60.0	60.0	60.0	60.0	60.0	60.0	55.9	55.9	53.4	53.4	48.9	48.9
84.0	60.0	60.0	60.0	60.0	60.0	60.0	51.9	51.9	49.6	49.6	45.5	45.5
90.0	60.0	60.0	60.0	60.0	55.8	55.8	48.5	48.5	46.3	46.3	42.4	42.4
96.0	60.0	60.0	59.5	59.5	51.5	51.5	45.5	45.5	43.4	43.4	-	-
102.0	60.0	60.0	55.4	55.4	47.8	47.8	42.5	42.5	40.8	40.8	-	-
104.125	60.0	60.0	54.1	54.1	46.6	46.6	41.4	41.4	40.0	40.0	-	-
108.0	60.0	60.0	50.4	50.4	42.6	42.6	37.1	37.1	-	-	-	-
114.0	52.9	52.9	42.7	42.7	36.1	36.1	-	-	-	-	-	-
120.0	45.3	45.3	36.5	36.5	30.8	30.8	-	-	-	-	-	-
126.0	39.0	39.0	31.5	31.5	26.5	26.5	-	-	-	-	-	-
132.0	33.9	33.9	27.3	27.3	-	-	-	-	-	-	-	-
138.0	29.6	29.6	23.9	23.9	-	-	-	-	-	-	-	-
144.0	26.1	26.1	21.0	21.0	-	-	-	-	-	-	-	-
150.0	23.0	23.0	18.5	18.5	-	-	-	-	-	-	-	-
156.0	20.5	20.5	-	-	-	-	-	-	-	-	-	-

SERIES V-3 THERMALLY BROKEN ALUMINUM FRENCH DOOR
EXTERIOR VIEW

DESIGN PRESSURE RATING	IMPACT RATING
±40.0PSF	NONE

FOR ADDITIONAL SIZES SEE CHART #1

94 1/2" X 109" UNIT SHOWN. OTHER SIZES APPROVED AS LONG AS
PANEL AREA DOES NOT EXCEED 31.81 FT²

NOTES:

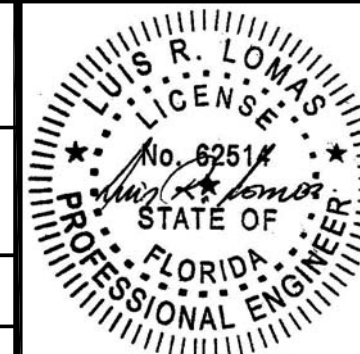
1. PANEL SIZE: 44" x 104 1/8"
2. D.L.O.: 36 1/4" x 97 1/4"

HARDWARE SCHEDULE

A.	(1) SINGLE HANDLE LOCKABLE SHOOT-BOLT WITH DEADBOLT, 34 1/2" FROM BOTTOM OF ACTIVE AND PASSIVE MEETING STILE
B.	3 POINT HOPPE HARDWARE AT ACTIVE PANEL
C.	2 POINT HOPPE HARDWARE AT INACTIVE PANEL
D.	(1) METAL KEEPER AT HEAD AND SILL FASTENED WITH 2 SCREWS AND 2 ADDITIONAL SCREWS AT EXTERIOR SIDE OF KEEPER
E.	(1) BUTT HINGE AT 3" AND 35 1/2" FROM EACH END OF HINGE STILE WITH CORRESPONDING HINGES AT HINGE JAMB

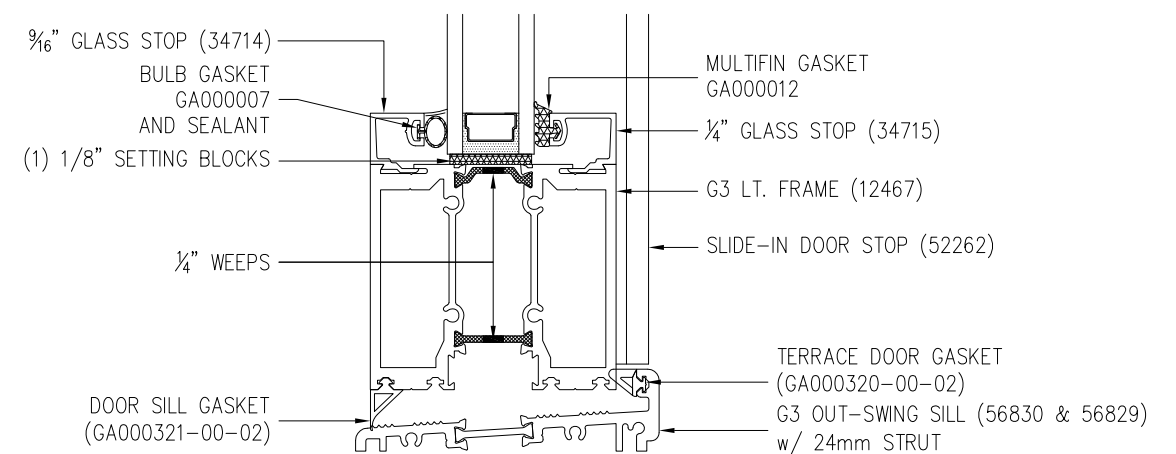
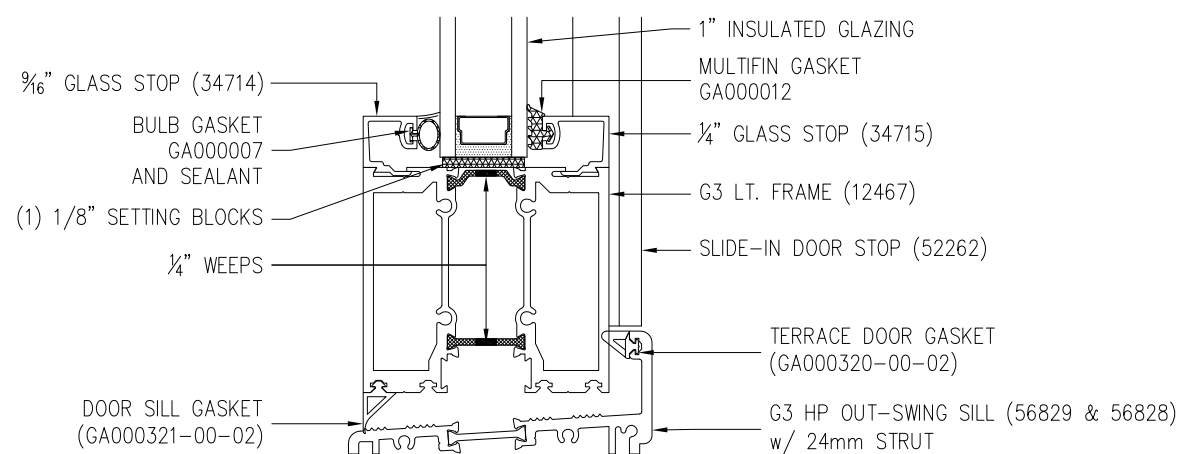
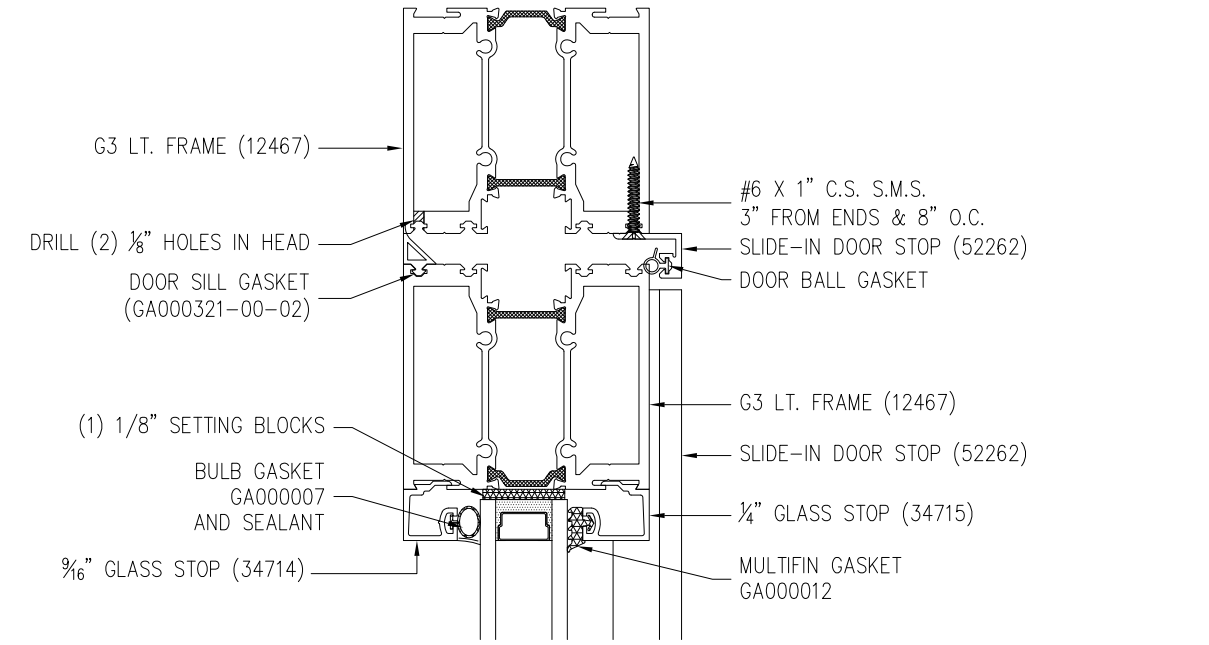
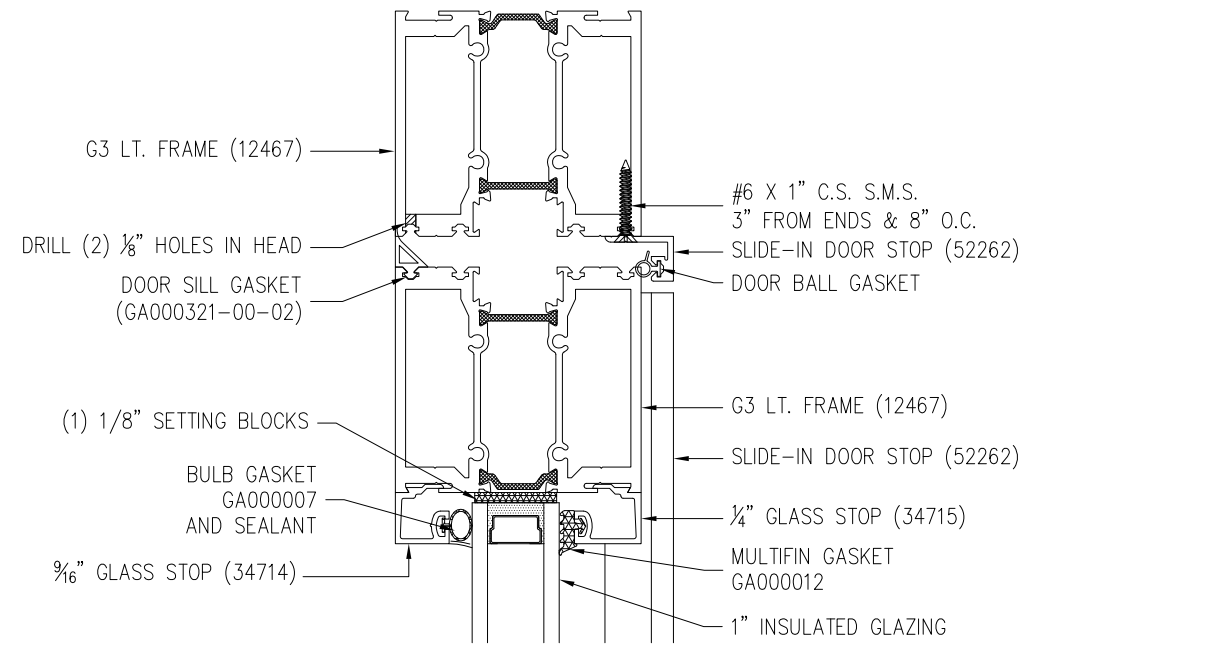
SIGNED: 12/19/2022

THERMA-TRU 1750 INDIAN WOOD CIRCLE MAUMEE, OH 43537		
V-3 THERMALLY-BROKEN ALUMINUM FRENCH DOOR NON-IMPACT ELEVATION AND GLASS DETAIL		
DRAWN: R.L.	DWG NO. 08-03872	REV -
SCALE NTS	DATE 12/19/2022	SHEET 2 OF 8
L. ROBERTO LOMAS P.E. 400 S. PALM AVE, INDIAN LANTIC, FL 32903 434-688-0609 rllomas@rlomaspe.com		



Luis R. Lomas P.E.
FL No.: 62514

REVISIONS			
REV	DESCRIPTION	DATE	APPROVED



VERTICAL CROSS SECTION
HIGH PERFORMANCE TRESHOLD

VERTICAL CROSS SECTION
STANDARD TRESHOLD

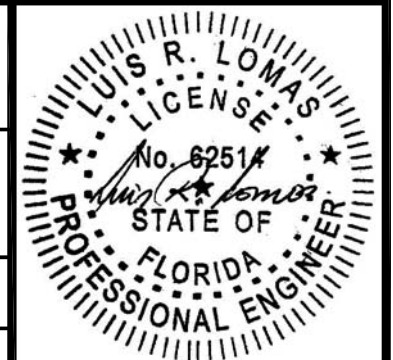
SIGNED: 12/19/2022

THERMA-TRU
1750 INDIAN WOOD CIRCLE
MAUMEE, OH 43537

V-3 THERMALLY-BROKEN ALUMINUM
FRENCH DOOR NON-IMPACT
VERTICAL CROSS SECTIONS

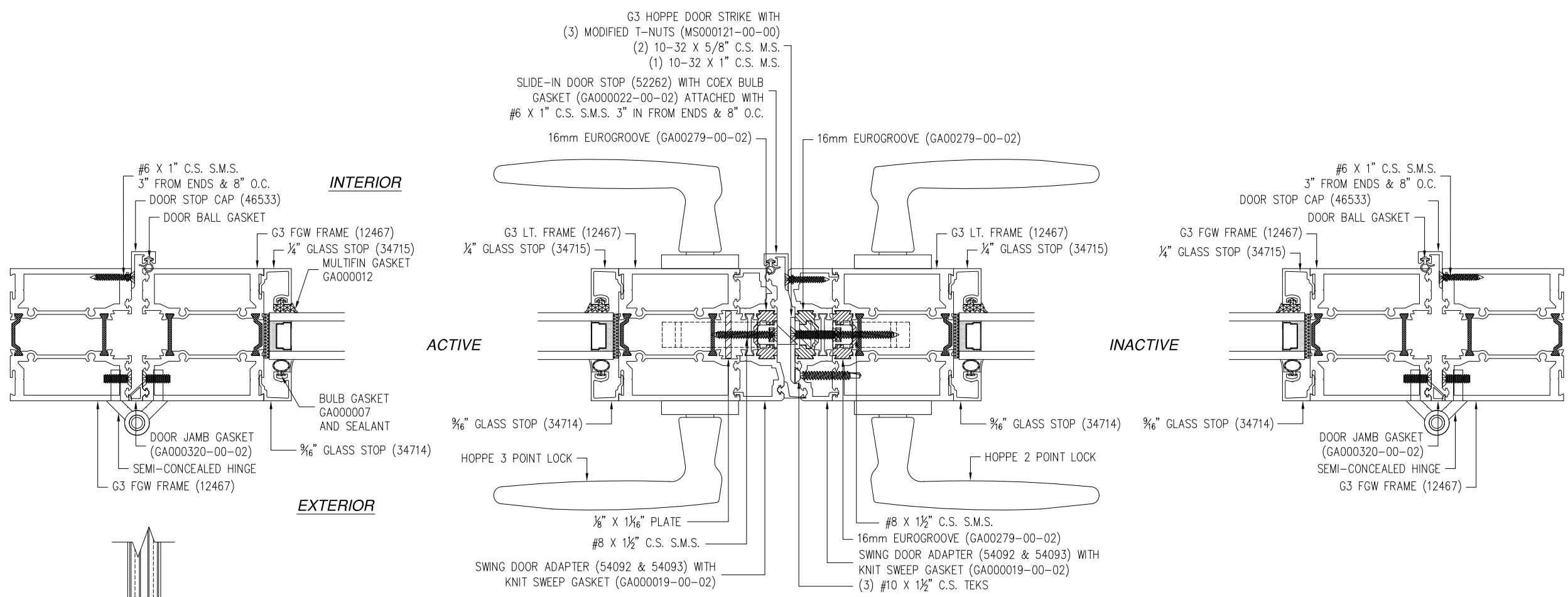
DRAWN: R.L.	DWG NO. 08-03872	REV -
SCALE NTS	DATE 12/19/2022	SHEET 3 OF 8

L. ROBERTO LOMAS P.E.
400 S. PALM AVE, INDIALANTIC, FL 32903
434-688-0609 rllomas@rlomaspe.com

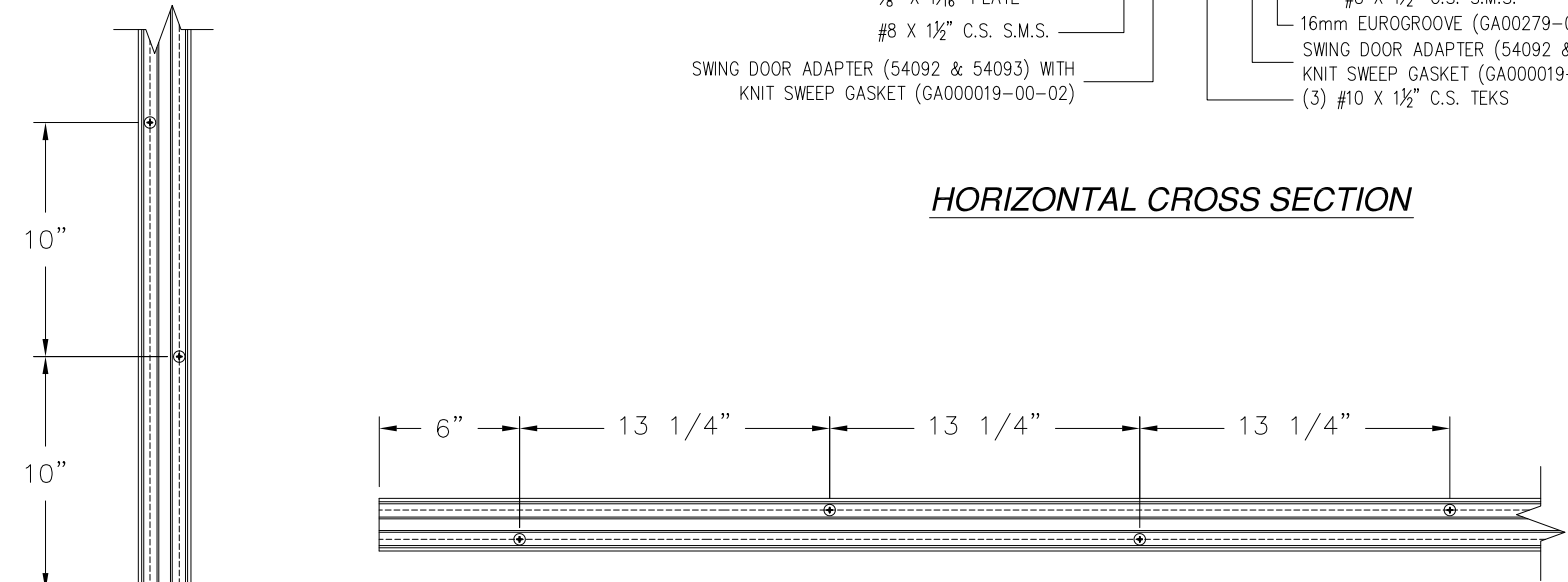


Luis R. Lomas P.E.
FL No.: 62514

REVISIONS			
REV	DESCRIPTION	DATE	APPROVED



HORIZONTAL CROSS SECTION



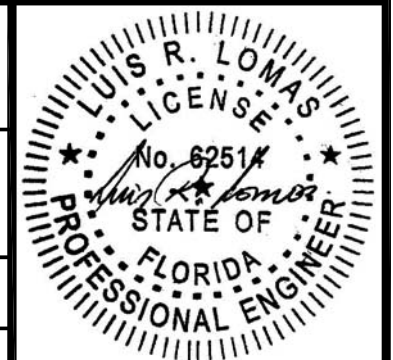
THERMA-TRU
1750 INDIAN WOOD CIRCLE
MAUMEE, OH 43537

V-3 THERMALLY-BROKEN ALUMINUM
FRENCH DOOR NON-IMPACT
HORIZONTAL CROSS SECTIONS

DRAWN: R.L.	DWG NO. 08-03872	REV -
SCALE NTS	DATE 12/19/2022	SHEET 4 OF 8

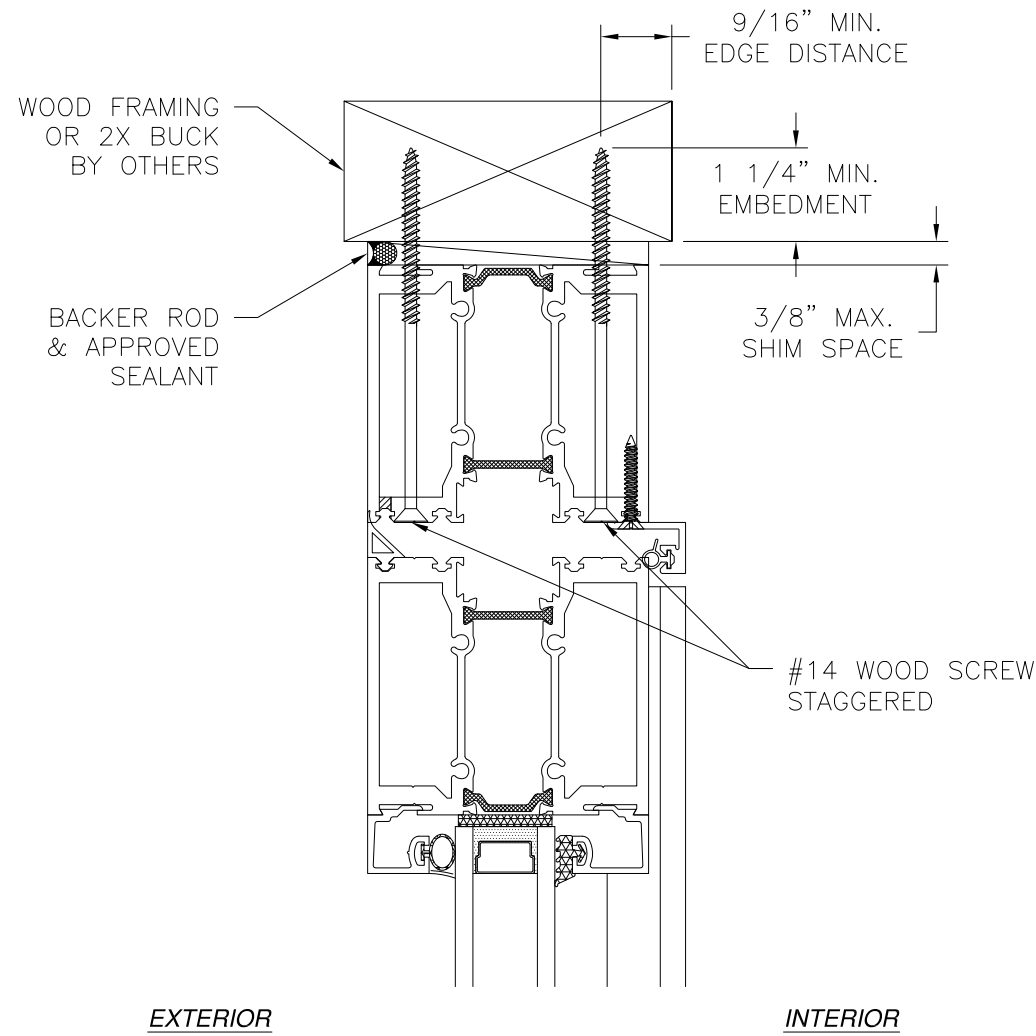
L. ROBERTO LOMAS P.E.
400 S. PALM AVE, INDIALANTIC, FL 32903
434-688-0609 rllomas@rlomaspe.com

SIGNED: 12/19/2022



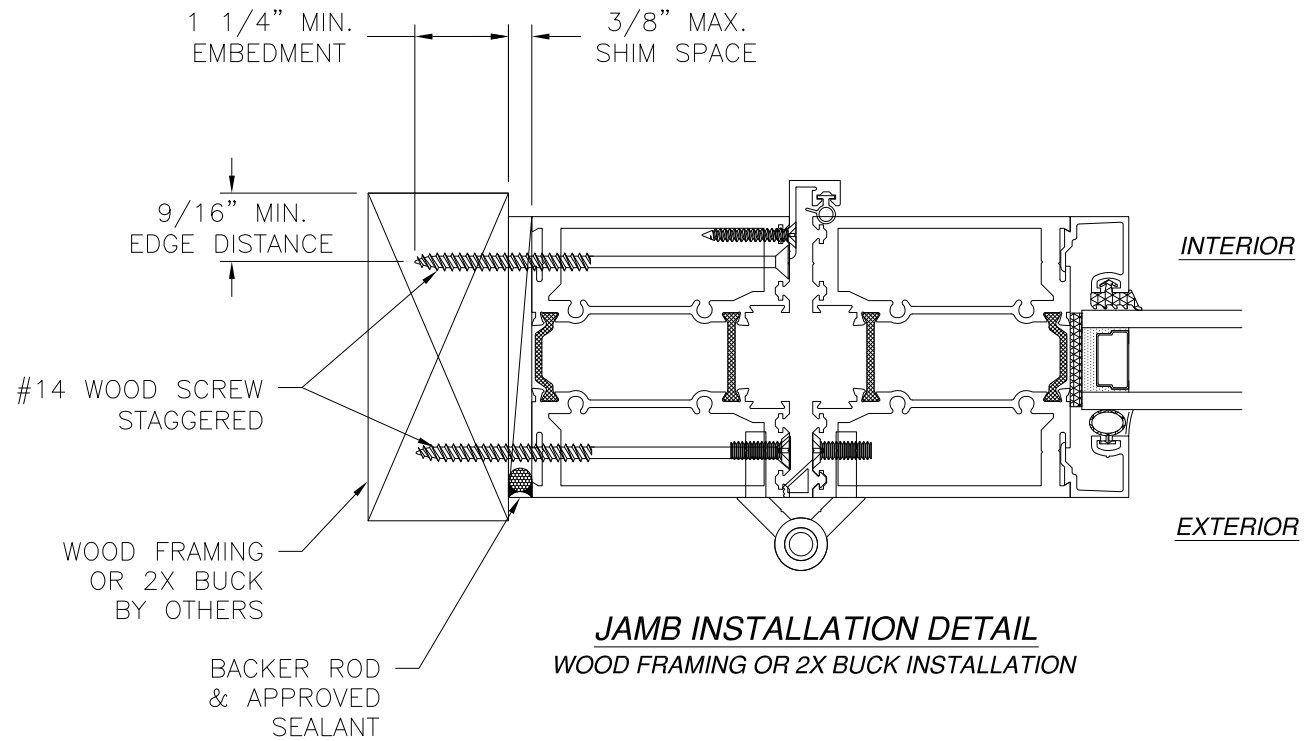
Luis R. Lomas P.E.
FL No.: 62514

REVISIONS			
REV	DESCRIPTION	DATE	APPROVED



EXTERIOR

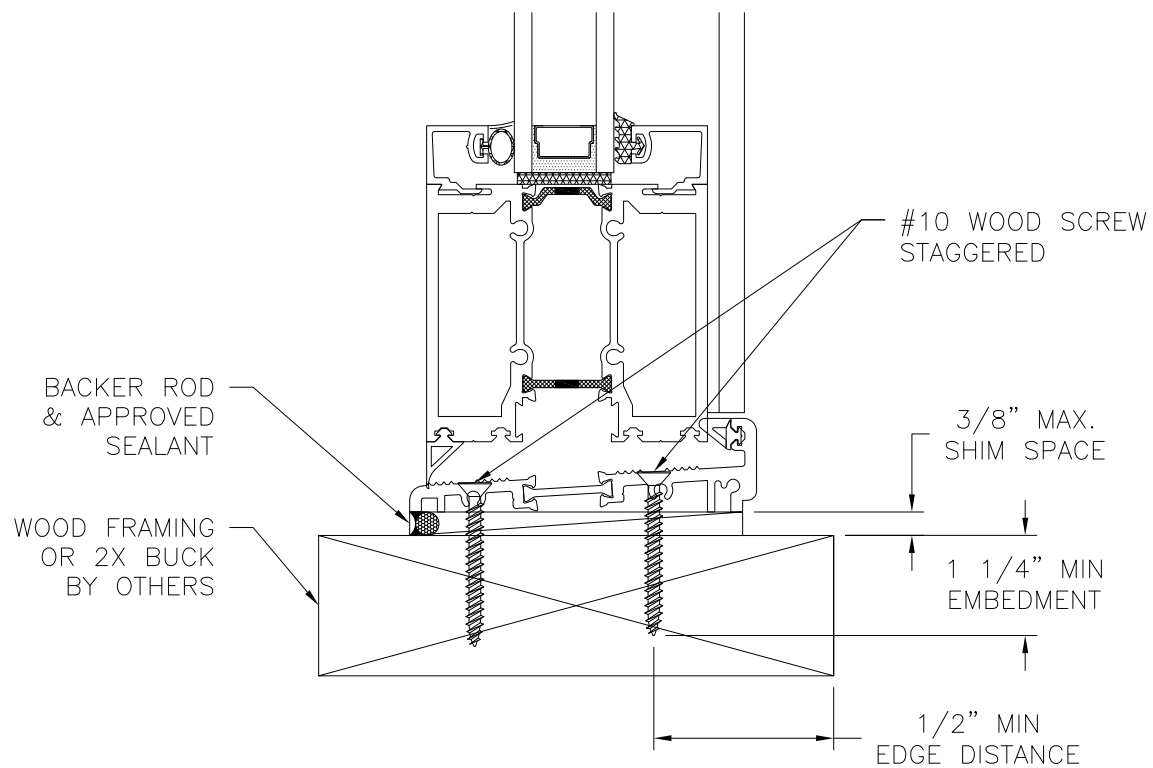
INTERIOR



JAMB INSTALLATION DETAIL
WOOD FRAMING OR 2X BUCK INSTALLATION

INTERIOR

EXTERIOR



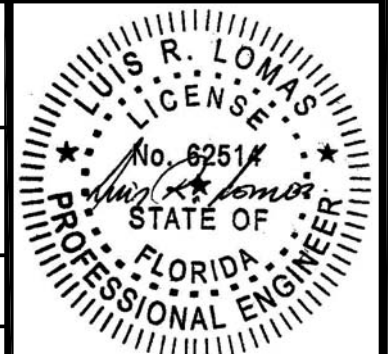
VERTICAL CROSS SECTION
WOOD FRAMING OR 2X BUCK INSTALLATION

NOTES:

1. INTERIOR AND EXTERIOR FINISHES, BY OTHERS, NOT SHOWN FOR CLARITY.
2. PERIMETER AND JOINT SEALANT BY OTHERS TO BE DESIGNED IN ACCORDANCE WITH ASTM E2112

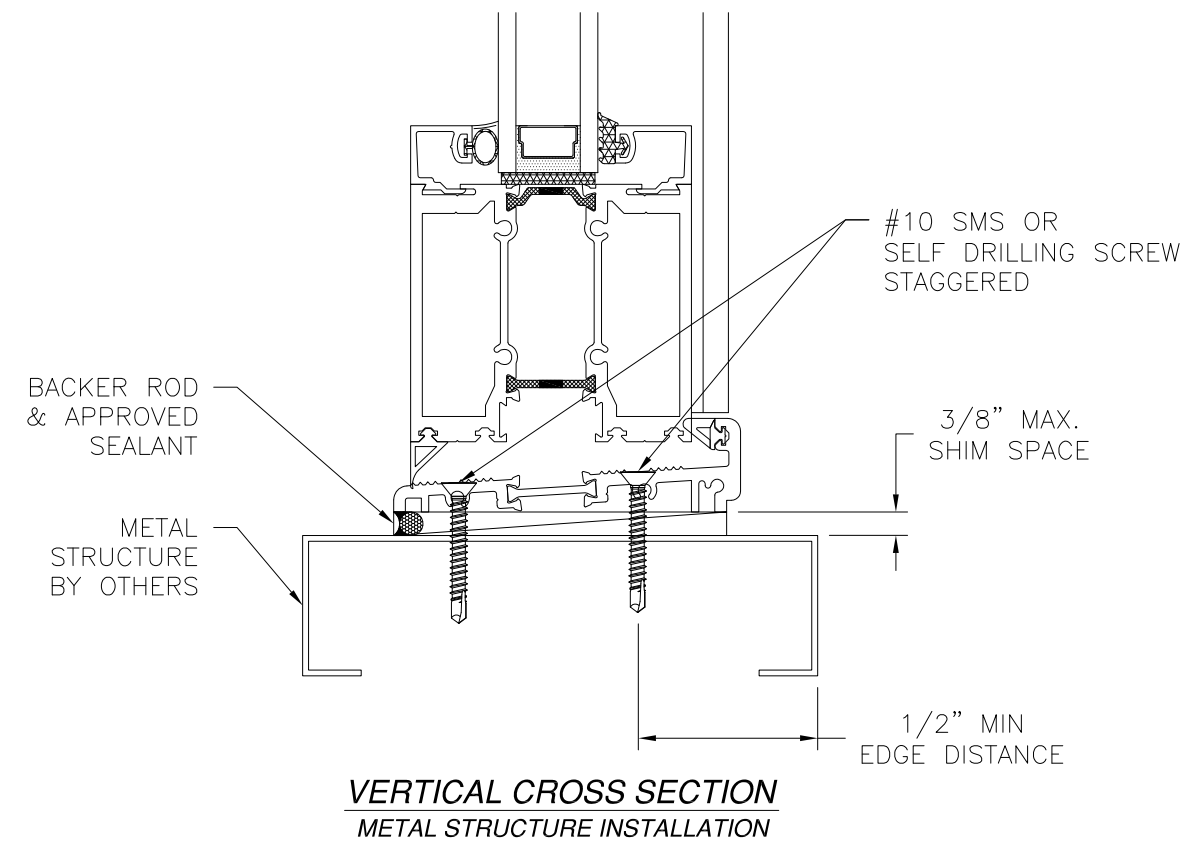
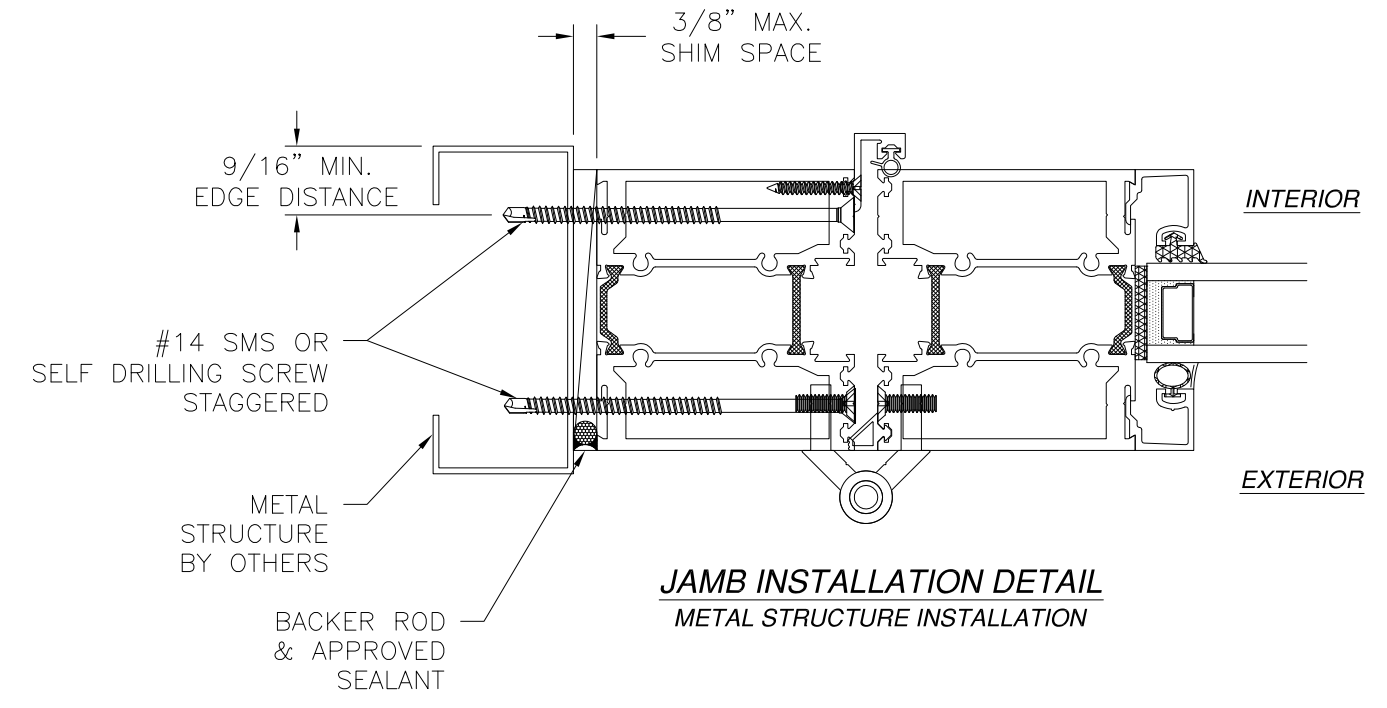
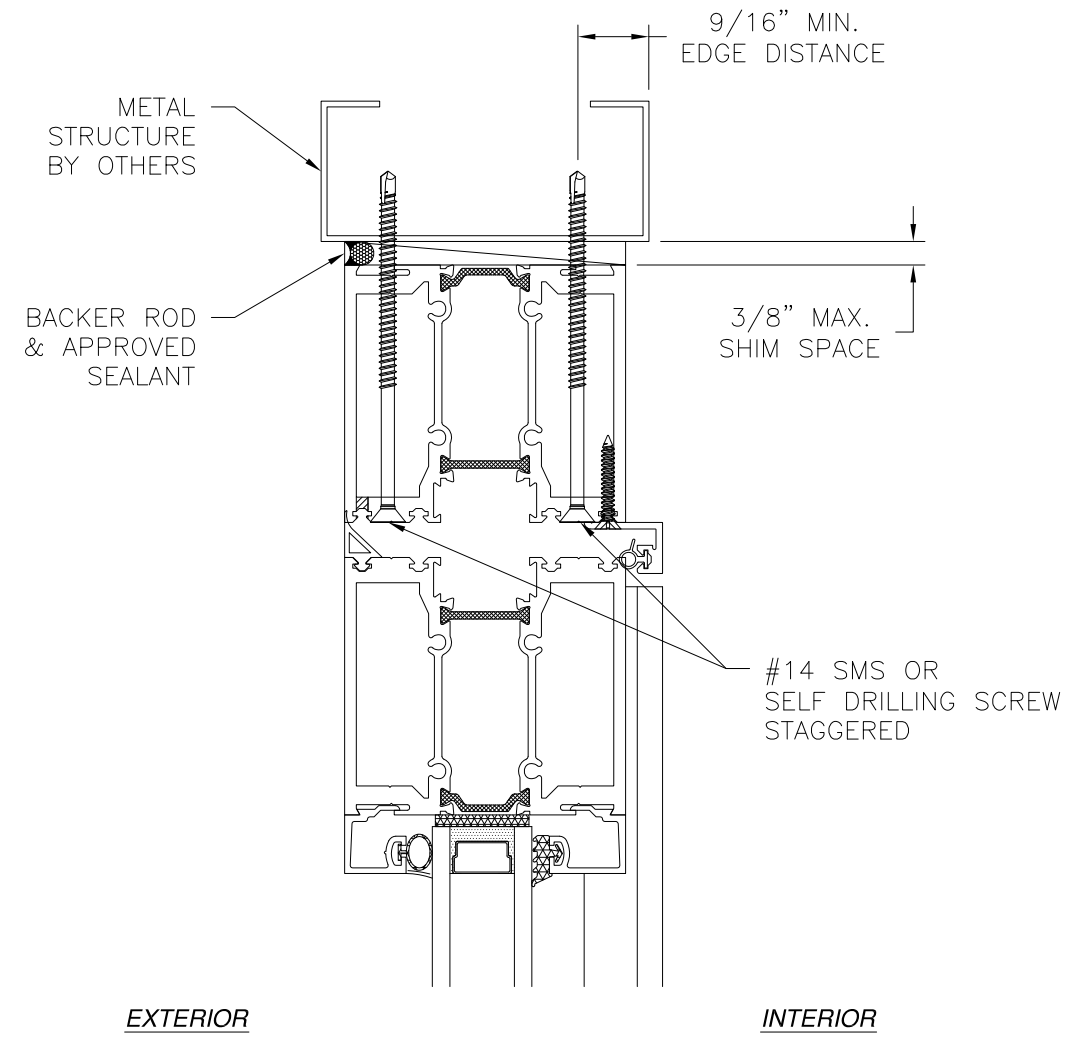
SIGNED: 12/19/2022

THERMA-TRU 1750 INDIAN WOOD CIRCLE MAUMEE, OH 43537		
V-3 THERMALLY-BROKEN ALUMINUM FRENCH DOOR NON-IMPACT INSTALLATION DETAILS		
DRAWN: R.L.	DWG NO. 08-03872	REV -
SCALE NTS	DATE 12/19/2022	SHEET 5 OF 8
L. ROBERTO LOMAS P.E. 400 S. PALM AVE, INDIALANTIC, FL 32903 434-688-0609 rllomas@rlomaspe.com		



Luis R. Lomas P.E.
FL No.: 62514

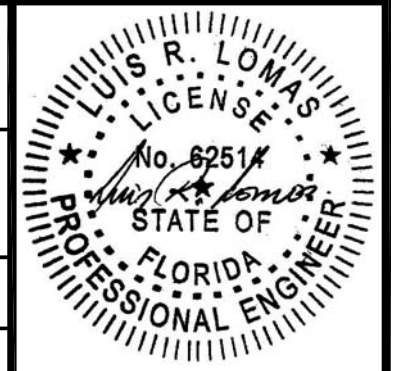
REVISIONS			
REV	DESCRIPTION	DATE	APPROVED



- NOTES:**
1. INTERIOR AND EXTERIOR FINISHES, BY OTHERS, NOT SHOWN FOR CLARITY.
 2. PERIMETER AND JOINT SEALANT BY OTHERS TO BE DESIGNED IN ACCORDANCE WITH ASTM E2112

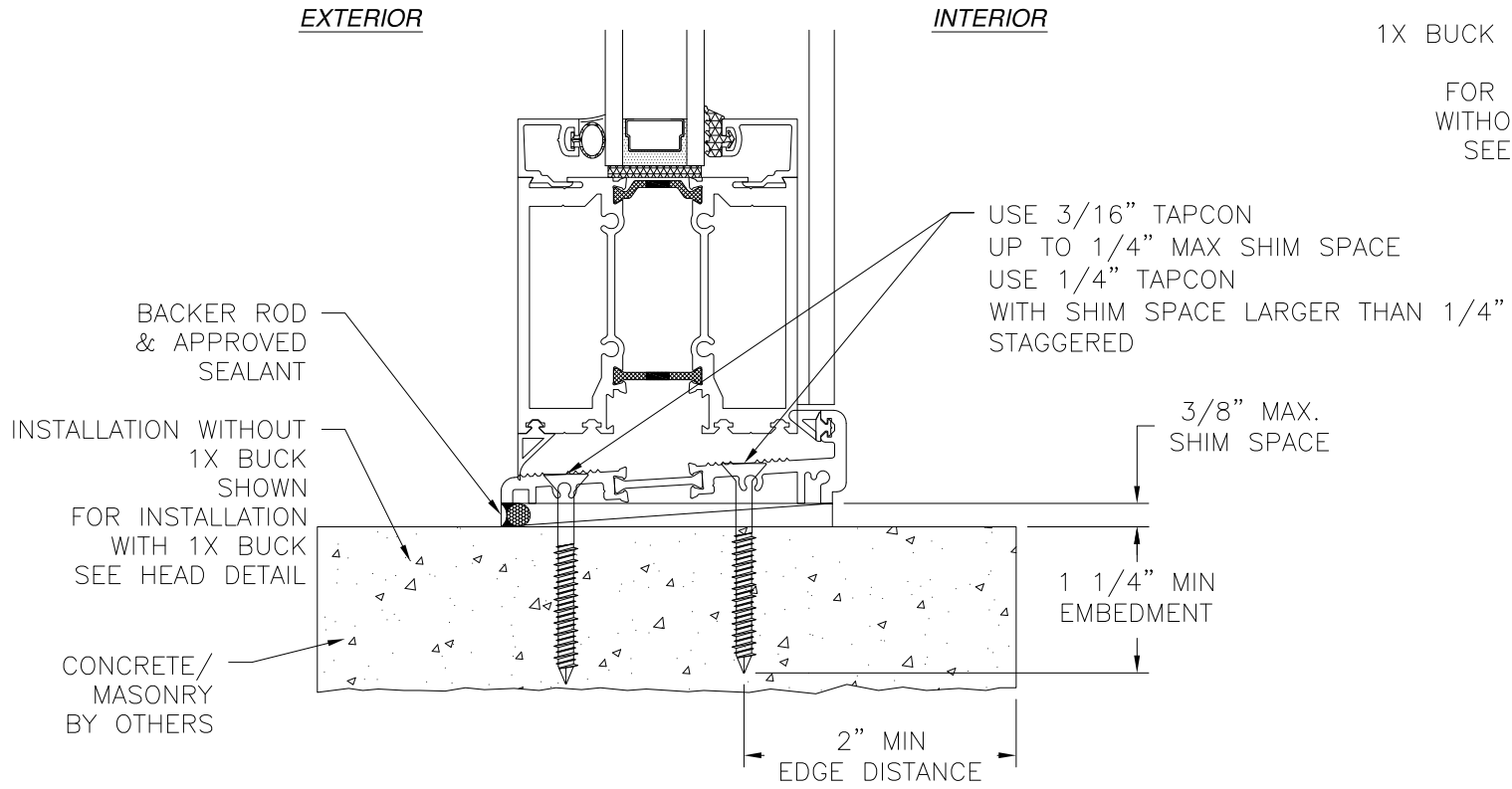
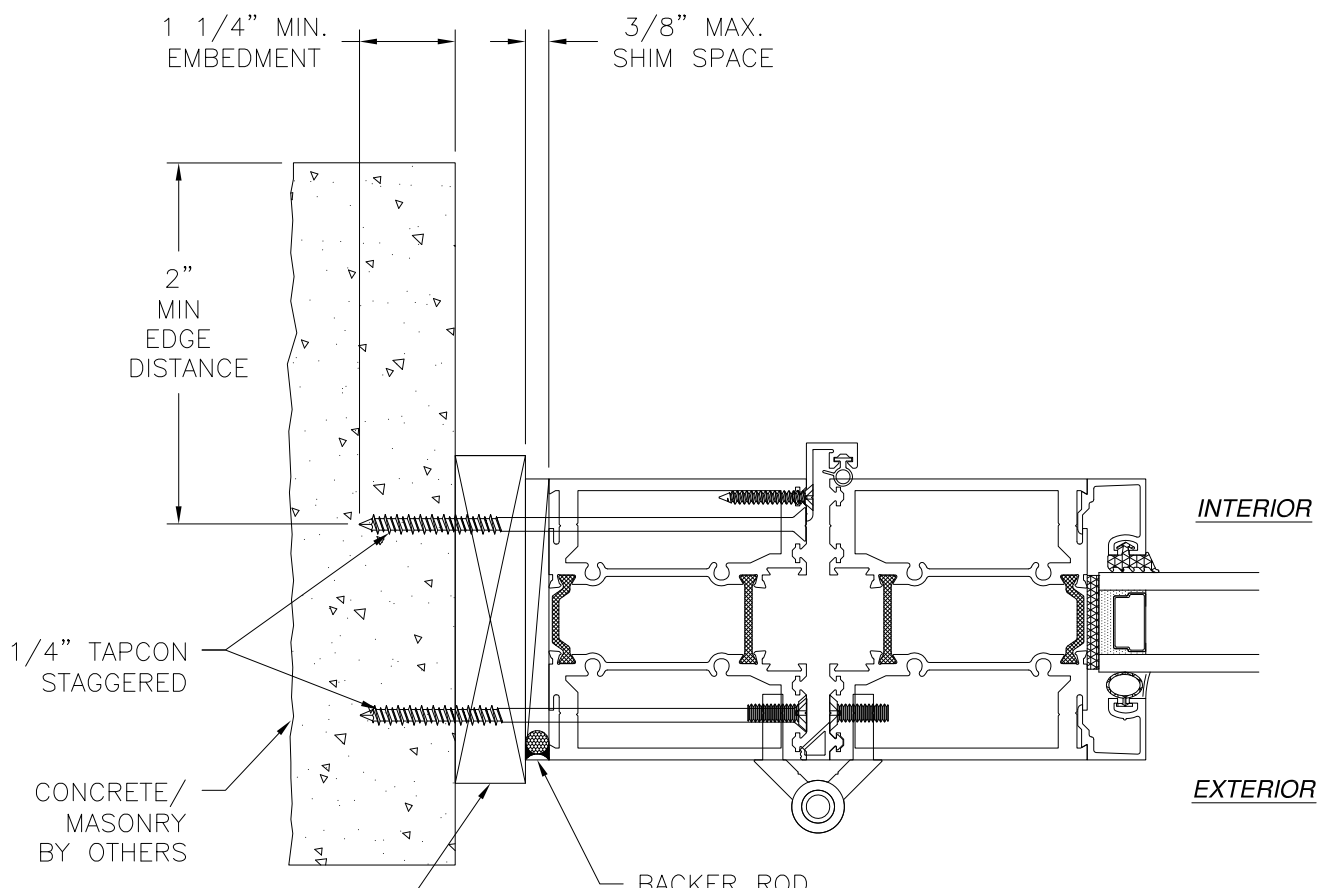
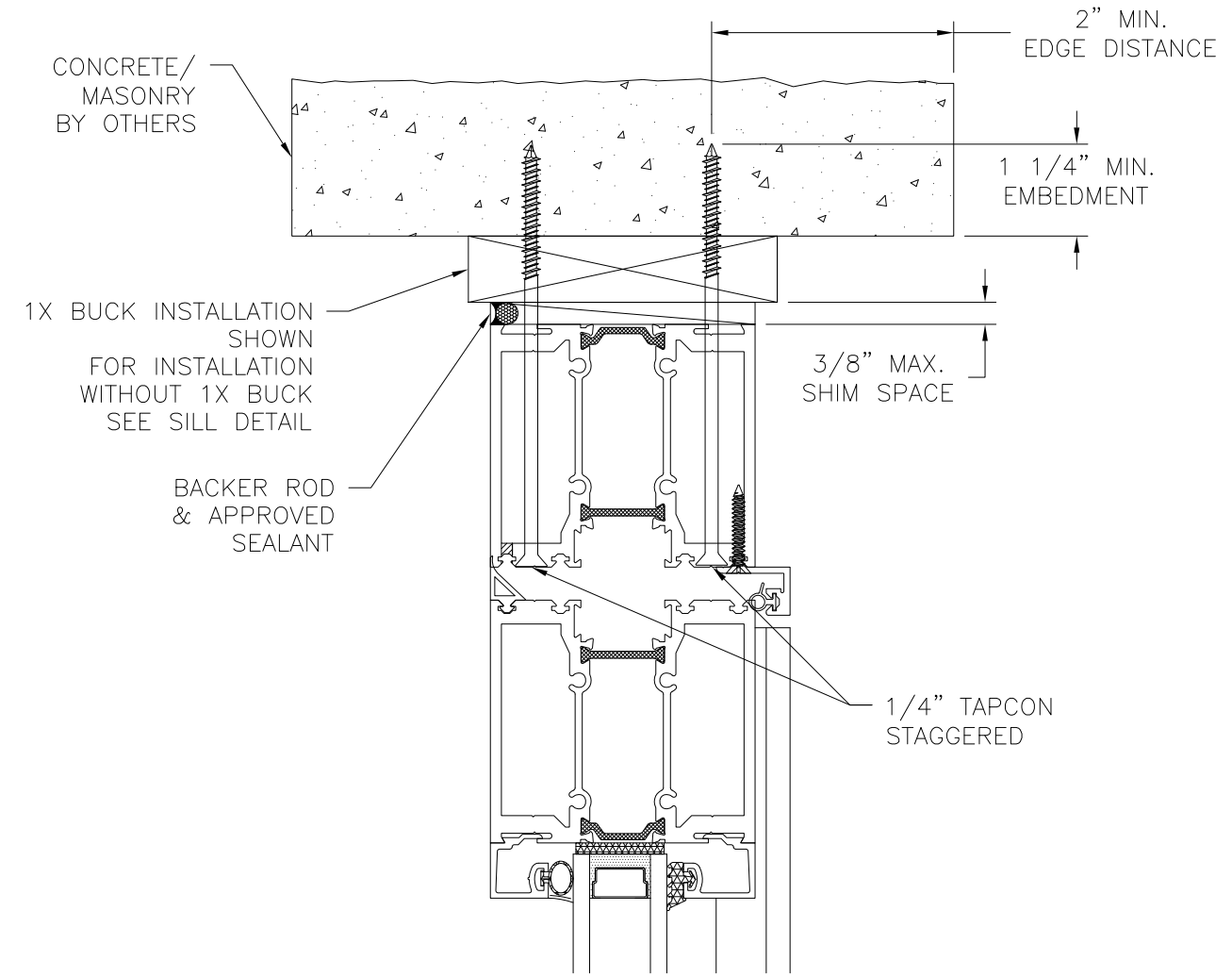
SIGNED: 12/19/2022

THERMA-TRU 1750 INDIAN WOOD CIRCLE MAUMEE, OH 43537		
V-3 THERMALLY-BROKEN ALUMINUM FRENCH DOOR NON-IMPACT INSTALLATION DETAILS		
DRAWN: R.L.	DWG NO. 08-03872	REV -
SCALE NTS	DATE 12/19/2022	SHEET 6 OF 8
L. ROBERTO LOMAS P.E. 400 S. PALM AVE, INDIALANTIC, FL 32903 434-688-0609 rllomas@rlomaspe.com		



Luis R. Lomas P.E.
FL No.: 62514

REVISIONS			
REV	DESCRIPTION	DATE	APPROVED



JAMB INSTALLATION DETAIL
WOOD FRAMING OR 2X BUCK INSTALLATION

- NOTES:**
1. INTERIOR AND EXTERIOR FINISHES, BY OTHERS, NOT SHOWN FOR CLARITY.
 2. PERIMETER AND JOINT SEALANT BY OTHERS TO BE DESIGNED IN ACCORDANCE WITH ASTM E2112

VERTICAL CROSS SECTION
WOOD FRAMING OR 2X BUCK INSTALLATION

SIGNED: 12/19/2022

THERMA-TRU
1750 INDIAN WOOD CIRCLE
MAUMEE, OH 43537

V-3 THERMALLY-BROKEN ALUMINUM
FRENCH DOOR NON-IMPACT
INSTALLATION DETAILS

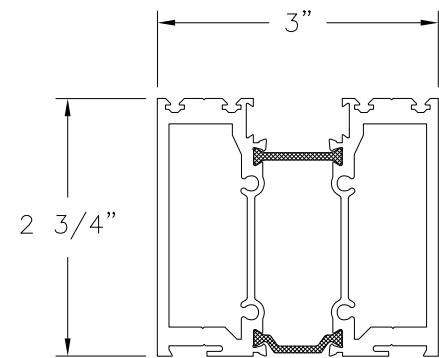
DRAWN: R.L.	DWG NO. 08-03872	REV -
SCALE NTS	DATE 12/19/2022	SHEET 7 OF 8

L. ROBERTO LOMAS P.E.
400 S. PALM AVE, INDIALANTIC, FL 32903
434-688-0609 rllomas@rlomaspe.com

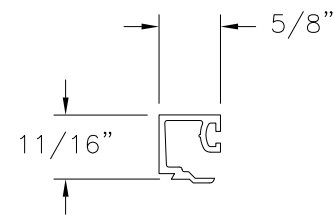


Luis R. Lomas P.E.
FL No.: 62514

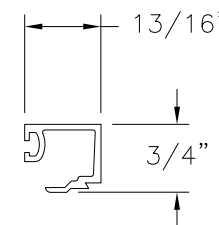
REVISIONS			
REV	DESCRIPTION	DATE	APPROVED



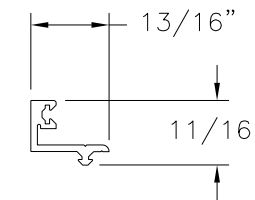
G3 LT. FRAME 12467
ALUMINUM 6063-T5 AND 6063-T6 (.125" THICK)



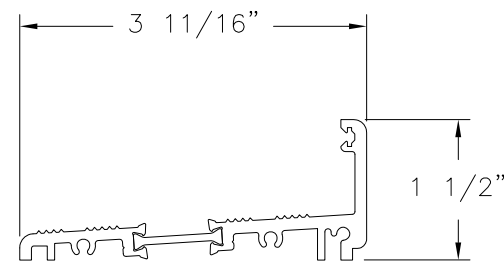
9/16" GLASS STOP 34714
ALUMINUM 6063-T5 AND 6063-T6 (.060" THICK)



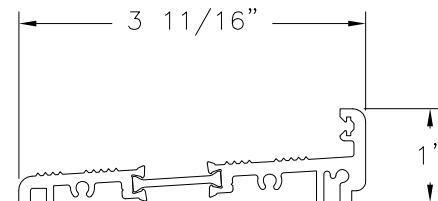
1/4" GLASS STOP 34715
ALUMINUM 6063-T5 AND 6063-T6 (.060" THICK)



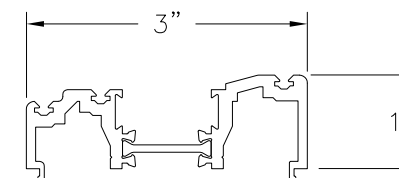
DOOR STOP CAP 52262
ALUMINUM 6063-T5 AND 6063-T6



G3 HP HIGH PERFORMANCE SILL 56829 & 56828
ALUMINUM 6063-T5 AND 6063-T6 (.129" THICK)



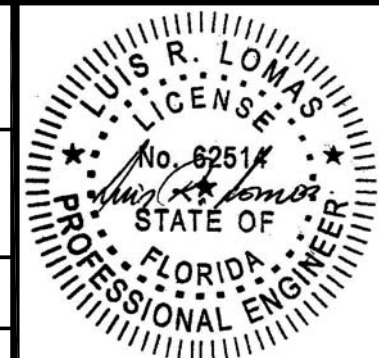
G3 STANDARD SILL 56830 & 56829
ALUMINUM 6063-T5 AND 6063-T6 (.129" THICK)



SWING DOOR ADAPTER 54092 & 54093
ALUMINUM 6063-T5 AND 6063-T6

SIGNED: 12/19/2022

THERMA-TRU 1750 INDIAN WOOD CIRCLE MAUMEE, OH 43537		
V-3 THERMALLY-BROKEN ALUMINUM FRENCH DOOR NON-IMPACT COMPONENTS		
DRAWN: R.L.	DWG NO. 08-03872	REV -
SCALE NTS	DATE 12/19/2022	SHEET 8 OF 8
L. ROBERTO LOMAS P.E. 400 S. PALM AVE, INDIALANTIC, FL 32903 434-688-0609 rllomas@rlomaspe.com		



Luis R. Lomas P.E.
FL No.: 62514