

| REVISIONS | | | |
|-----------|-------------|------|----------|
| REV | DESCRIPTION | DATE | APPROVED |

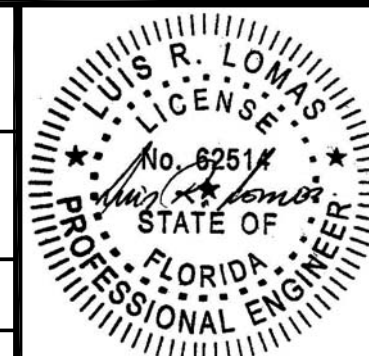
NOTES:

1. THE PRODUCT SHOWN HEREIN IS DESIGNED AND MANUFACTURED TO COMPLY WITH REQUIREMENTS OF THE FLORIDA BUILDING CODE INCLUDING THE HVHZ.
2. WOOD FRAMING AND MASONRY OPENING TO BE DESIGNED AND ANCHORED TO PROPERLY TRANSFER ALL LOADS TO STRUCTURE. FRAMING AND MASONRY OPENING IS THE RESPONSIBILITY OF THE ARCHITECT OR ENGINEER OF RECORD.
3. WHERE 1X BUCK IS NOT USED DISSIMILAR MATERIALS MUST BE SEPARATED WITH APPROVED COATING OR MEMBRANE. SELECTION OF COATING OR MEMBRANE IS THE RESPONSIBILITY OF THE ARCHITECT OR ENGINEER OF RECORD.
4. ALLOWABLE STRESS INCREASE OF 1/3 WAS NOT USED IN THE DESIGN OF THE PRODUCT SHOWN HEREIN. WIND LOAD DURATION FACTOR Cd=1.6 WAS USED FOR WOOD ANCHOR CALCULATIONS.
5. FRAME MATERIAL: ALUMINUM 6063-T6
6. UNITS MUST BE GLAZED PER ASTM E1300, SEE SHEET 4 FOR GLASS DETAILS.
7. APPROVED IMPACT PROTECTIVE SYSTEM IS NOT REQUIRED FOR THIS PRODUCT IN WIND BORNE DEBRIS REGIONS.
8. SHIM AS REQUIRED AT EACH INSTALLATION ANCHOR WITH LOAD BEARING SHIM. SHIM WHERE SPACE OF 1/16" OR GREATER OCCURS. MAXIMUM ALLOWABLE SHIM STACK TO BE 3/8".
9. FOR ANCHORING INTO WOOD FRAMING OR 2X BUCK USE #10 WOOD SCREWS WITH SUFFICIENT LENGTH TO ACHIEVE A 1 3/8" MINIMUM EMBEDMENT INTO SUBSTRATE. LOCATE ANCHORS AS SHOWN IN ELEVATIONS AND INSTALLATION DETAILS.
10. FOR ANCHORING INTO MASONRY/CONCRETE USE 3/16" ELCO ULTRACON OR 1/4" TAPCONS WITH SUFFICIENT LENGTH TO ACHIEVE A 1 3/4" MINIMUM EMBEDMENT INTO SUBSTRATE WITH 2" MINIMUM EDGE DISTANCE. LOCATE ANCHORS AS SHOWN IN ELEVATIONS AND INSTALLATION DETAILS.
11. FOR ANCHORING INTO METAL STRUCTURE USE #10 SMS OR SELF DRILLING SCREWS WITH SUFFICIENT LENGTH TO ACHIEVE 3 THREADS MINIMUM BEYOND STRUCTURE INTERIOR WALL. LOCATE ANCHORS AS SHOWN IN ELEVATIONS AND INSTALLATION DETAILS.
12. ALL FASTENERS TO BE CORROSION RESISTANT.
13. INSTALLATION ANCHORS SHALL BE INSTALLED IN ACCORDANCE WITH ANCHOR MANUFACTURER'S INSTALLATION INSTRUCTIONS AND ANCHORS SHALL NOT BE USED IN SUBSTRATES WITH STRENGTHS LESS THAN THE MINIMUM STRENGTH SPECIFIED BELOW:
 - A. WOOD – MINIMUM SPECIFIC GRAVITY OF G=0.42
 - B. CONCRETE – MINIMUM COMPRESSIVE STRENGTH OF 3,000 PSI.
 - C. GROUT FILLED MASONRY – STRENGTH CONFORMANCE TO ASTM C-90, GRADE N, TYPE 1 (OR GREATER).
 - D. METAL STRUCTURE: STEEL 18GA, 33KSI OR ALUMINUM 6063-T5 .125" THICK MINIMUM

| TABLE OF CONTENTS | |
|-------------------|------------------------|
| SHEET NO. | DESCRIPTION |
| 1 | NOTES |
| 2 | ELEVATION |
| 3 | DESIGN PRESSURE CHARTS |
| 4 – 5 | CROSS SECTIONS |
| 6 – 8 | INSTALLATION DETAILS |
| 9 | COMPONENTS |

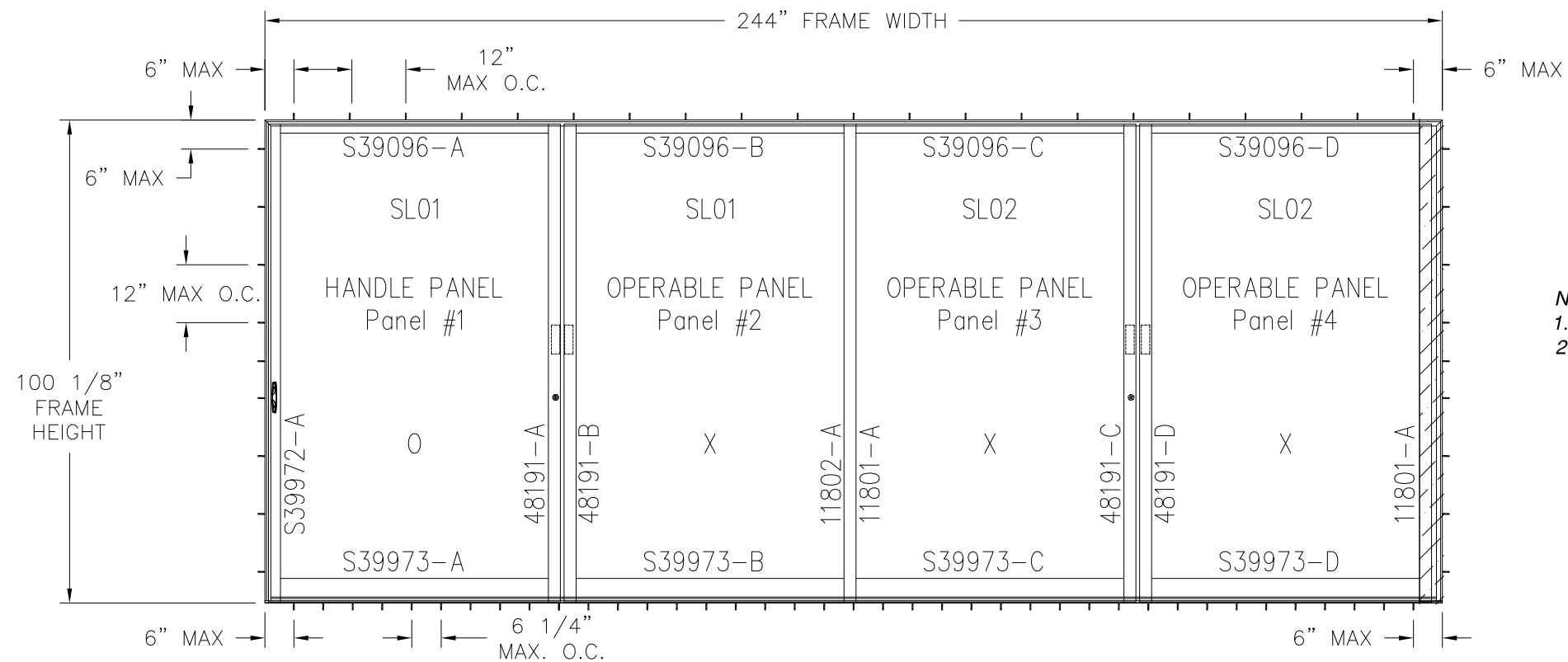
| | | |
|---------------------------------------------------------------------------------------------------------|---------------------|-----------------|
| THERMA-TRU 1750 INDIAN WOOD CIRCLE MAUMEE, OH 43537 | | |
| SERIES V-2 SLIDING GLASS DOOR 5x8 PANEL NOTES | | |
| DRAWN: R.L. | DWG NO. 08-03867 | REV - |
| SCALE NTS | DATE 11/03/22 | SHEET 1 OF 9 |
| L. ROBERTO LOMAS P.E. 400 S. PALM AVE, INDIAN LANTIC, FL 32903 434-688-0609 rllomas@lrlomaspe.com | | |

SIGNED: 12/20/2022



Luis R. Lomas P.E.
FL No.: 62514

| REVISIONS | | | |
|-----------|-------------|------|----------|
| REV | DESCRIPTION | DATE | APPROVED |
| | | | |



- NOTES:**
- PANEL SIZE: 60 1/2" x 99"
 - D.L.O.: 55 1/2" x 92 5/16"

SERIES V-2 SLIDING GLASS DOOR 5x8 PANEL
EXTERIOR VIEW

FOR OTHER SIZES SEE CHARTS IN SHEET 3

| DESIGN PRESSURE RATING | IMPACT RATING |
|------------------------|----------------------|
| ±65.0PSF | LARGE MISSILE IMPACT |

MISSILE LEVEL D, WIND ZONE 4 AND HVHZ

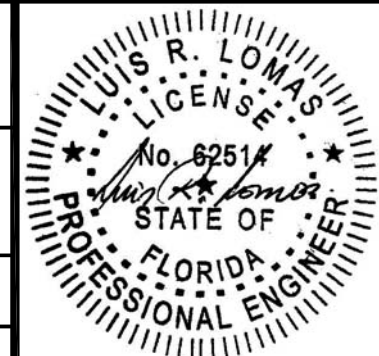
UNITS WITH 4 PANELS MAXIMUM IN UNLIMITED CONFIGURATIONS ARE APPROVED AS LONG AS INDIVIDUAL PANEL AREA DOES NOT EXCEED 41.59 FT² AND FRAME AREA DOES NOT EXCEED 254.48 FT² AND USES VERTICAL CONDITIONS AS SHOWN.

HARDWARE SCHEDULE

| | |
|----|-----------------------------------------------------------------------|
| A. | (2) POINT METAL LOCK WITH KEEPERS, 42" FROM BOTTOM OF LOCK STILE |
| B. | DUAL STAINLESS STEEL ROLLERS AT EACH END OF BOTTOM RAILS |
| C. | ALUMINUM REINFORCEMENT PANEL ADAPTER AT MEETING STILE IN PANELS 1 & 2 |

SIGNED: 12/20/2022

| | | |
|--------------------------------------------------------------------------------------------------------|---------------------|-----------------|
| THERMA-TRU 1750 INDIAN WOOD CIRCLE MAUMEE, OH 43537 | | |
| SERIES V-2 SLIDING GLASS DOOR 5x8 PANEL ELEVATION | | |
| DRAWN: R.L. | DWG NO. 08-03867 | REV - |
| SCALE NTS | DATE 11/03/22 | SHEET 2 OF 9 |
| L. ROBERTO LOMAS P.E. 400 S. PALM AVE, INDIAN LANTIC, FL 32903 434-688-0609 rllomas@rlomaspe.com | | |



Luis R. Lomas P.E.
FL No.: 62514

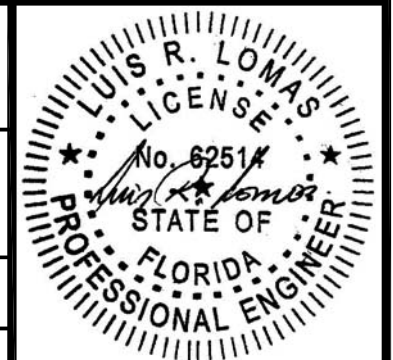
| REVISIONS | | | |
|-----------|-------------|------|----------|
| REV | DESCRIPTION | DATE | APPROVED |

| Maximum Design pressure (psf) with glass A | | | | | | | | | | | | | | | | | |
|--------------------------------------------|-------------------------|------|------|------|------|------|------|------|------|------|------|------|------|------|------|------|------|
| Panel Height (in) | Single Panel Width (in) | | | | | | | | | | | | | | | | |
| | 24.0 | | 30.0 | | 36.0 | | 42.0 | | 48.0 | | 54.0 | | 60.5 | | 66.0 | | |
| | Pos | Neg | Pos | Neg | Pos | Neg | Pos | Neg | Pos | Neg | Pos | Neg | Pos | Neg | Pos | Neg | |
| 78.0 | 80.0 | 80.0 | 80.0 | 80.0 | 80.0 | 80.0 | 80.0 | 80.0 | 80.0 | 80.0 | 80.0 | 80.0 | 80.0 | 80.0 | 80.0 | 64.5 | 64.5 |
| 84.0 | 80.0 | 80.0 | 80.0 | 80.0 | 80.0 | 80.0 | 80.0 | 80.0 | 80.0 | 80.0 | 80.0 | 80.0 | 80.0 | 74.9 | 74.9 | 59.4 | 59.4 |
| 90.0 | 80.0 | 80.0 | 80.0 | 80.0 | 80.0 | 80.0 | 80.0 | 80.0 | 80.0 | 80.0 | 80.0 | 75.1 | 75.1 | 69.7 | 69.7 | 56.1 | 56.1 |
| 96.0 | 80.0 | 80.0 | 80.0 | 80.0 | 80.0 | 80.0 | 80.0 | 80.0 | 80.0 | 75.6 | 75.6 | 69.2 | 69.2 | 64.2 | 64.2 | - | - |
| 99.0 | 80.0 | 80.0 | 80.0 | 80.0 | 80.0 | 80.0 | 80.0 | 67.7 | 67.7 | 60.3 | 60.3 | 56.5 | 56.5 | 53.8 | 53.8 | - | - |
| 102.0 | 80.0 | 80.0 | 80.0 | 80.0 | 79.1 | 79.1 | 65.9 | 65.9 | 58.5 | 58.5 | 54.9 | 54.9 | - | - | - | - | - |
| 108.0 | 80.0 | 80.0 | 80.0 | 80.0 | 75.4 | 75.4 | 63.2 | 63.2 | 56.4 | 56.4 | 51.8 | 51.8 | - | - | - | - | - |
| 114.0 | 80.0 | 80.0 | 75.6 | 75.6 | 63.8 | 63.8 | 55.5 | 55.5 | 49.4 | 49.4 | - | - | - | - | - | - | - |
| 120.0 | 80.0 | 80.0 | 64.6 | 64.6 | 54.5 | 54.5 | 47.3 | 47.3 | 42.0 | 42.0 | - | - | - | - | - | - | - |
| 126.0 | 69.0 | 69.0 | 55.7 | 55.7 | 46.9 | 46.9 | 40.7 | 40.7 | - | - | - | - | - | - | - | - | - |
| 132.0 | 60.0 | 60.0 | 48.3 | 48.3 | 40.7 | 40.7 | 35.2 | 35.2 | - | - | - | - | - | - | - | - | - |
| 138.0 | 52.4 | 52.4 | 42.2 | 42.2 | 35.5 | 35.5 | 30.7 | 30.7 | - | - | - | - | - | - | - | - | - |
| 144.0 | 46.1 | 46.1 | 37.1 | 37.1 | 31.2 | 31.2 | - | - | - | - | - | - | - | - | - | - | - |
| 150.0 | 40.7 | 40.7 | 32.8 | 32.8 | 27.5 | 27.5 | - | - | - | - | - | - | - | - | - | - | - |
| 156.0 | 36.2 | 36.2 | 29.1 | 29.1 | 24.4 | 24.4 | - | - | - | - | - | - | - | - | - | - | - |

| Maximum Design pressure (psf) with glass B | | | | | | | | | | | | | | | | | |
|--------------------------------------------|-------------------------|------|------|------|------|------|------|------|------|------|------|------|------|------|------|------|------|
| Panel Height (in) | Single Panel Width (in) | | | | | | | | | | | | | | | | |
| | 24.0 | | 30.0 | | 36.0 | | 42.0 | | 48.0 | | 54.0 | | 60.5 | | 66.0 | | |
| | Pos | Neg | Pos | Neg | Pos | Neg | Pos | Neg | Pos | Neg | Pos | Neg | Pos | Neg | Pos | Neg | |
| 78.0 | 80.0 | 80.0 | 80.0 | 80.0 | 80.0 | 80.0 | 80.0 | 80.0 | 80.0 | 80.0 | 80.0 | 77.3 | 77.3 | 71.4 | 71.4 | 57.0 | 57.0 |
| 84.0 | 80.0 | 80.0 | 80.0 | 80.0 | 80.0 | 80.0 | 80.0 | 80.0 | 80.0 | 76.9 | 76.9 | 72.1 | 72.1 | 66.2 | 66.2 | 52.6 | 52.6 |
| 90.0 | 80.0 | 80.0 | 80.0 | 80.0 | 80.0 | 80.0 | 79.9 | 79.9 | 71.8 | 71.8 | 66.5 | 66.5 | 61.7 | 61.7 | 49.7 | 49.7 | - |
| 96.0 | 80.0 | 80.0 | 80.0 | 80.0 | 80.0 | 80.0 | 75.8 | 75.8 | 66.9 | 66.9 | 61.2 | 61.2 | 56.8 | 56.8 | - | - | - |
| 99.0 | 80.0 | 80.0 | 80.0 | 80.0 | 71.3 | 71.3 | 59.9 | 59.9 | 53.3 | 53.3 | 50.0 | 50.0 | 47.6 | 47.6 | - | - | - |
| 102.0 | 80.0 | 80.0 | 80.0 | 80.0 | 70.0 | 70.0 | 58.3 | 58.3 | 51.8 | 51.8 | 48.6 | 48.6 | - | - | - | - | - |
| 108.0 | 80.0 | 80.0 | 80.0 | 80.0 | 67.6 | 67.6 | 55.9 | 55.9 | 49.9 | 49.9 | 45.9 | 45.9 | - | - | - | - | - |
| 114.0 | 80.0 | 80.0 | 75.6 | 75.6 | 63.8 | 63.8 | 54.1 | 54.1 | 48.1 | 48.1 | - | - | - | - | - | - | - |
| 120.0 | 80.0 | 80.0 | 64.6 | 64.6 | 54.5 | 54.5 | 47.3 | 47.3 | 42.0 | 42.0 | - | - | - | - | - | - | - |
| 126.0 | 69.0 | 69.0 | 55.7 | 55.7 | 46.9 | 46.9 | 40.7 | 40.7 | - | - | - | - | - | - | - | - | - |
| 132.0 | 60.0 | 60.0 | 48.3 | 48.3 | 40.7 | 40.7 | 35.2 | 35.2 | - | - | - | - | - | - | - | - | - |
| 138.0 | 52.4 | 52.4 | 42.2 | 42.2 | 35.5 | 35.5 | 30.7 | 30.7 | - | - | - | - | - | - | - | - | - |
| 144.0 | 46.1 | 46.1 | 37.1 | 37.1 | 31.2 | 31.2 | - | - | - | - | - | - | - | - | - | - | - |
| 150.0 | 40.7 | 40.7 | 32.8 | 32.8 | 27.5 | 27.5 | - | - | - | - | - | - | - | - | - | - | - |
| 156.0 | 36.2 | 36.2 | 29.1 | 29.1 | 24.4 | 24.4 | - | - | - | - | - | - | - | - | - | - | - |

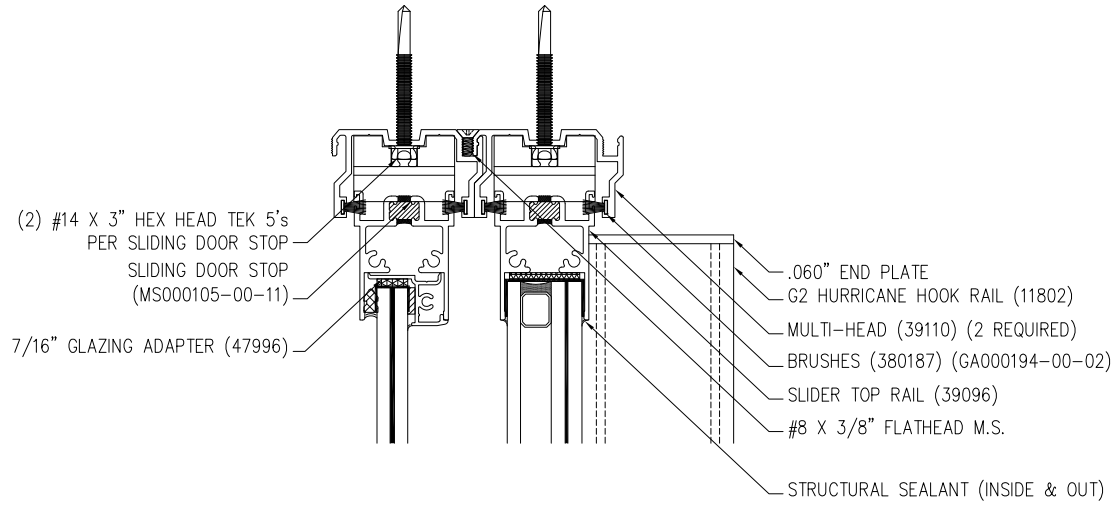
SIGNED: 12/20/2022

| | | |
|------------------------------------------------------------------------------------------------------|---------------------|--------------|
| THERMA-TRU 1750 INDIAN WOOD CIRCLE MAUMEE, OH 43537 | | |
| SERIES V-2 SLIDING GLASS DOOR 5x8 PANEL DESIGN PRESSURE CHARTS | | |
| DRAWN: R.L. | DWG NO. 08-03867 | REV - |
| SCALE NTS | DATE 11/03/22 | SHEET 3 OF 9 |
| L. ROBERTO LOMAS P.E. 400 S. PALM AVE, INDIALANTIC, FL 32903 434-688-0609 rllomas@rlomaspe.com | | |

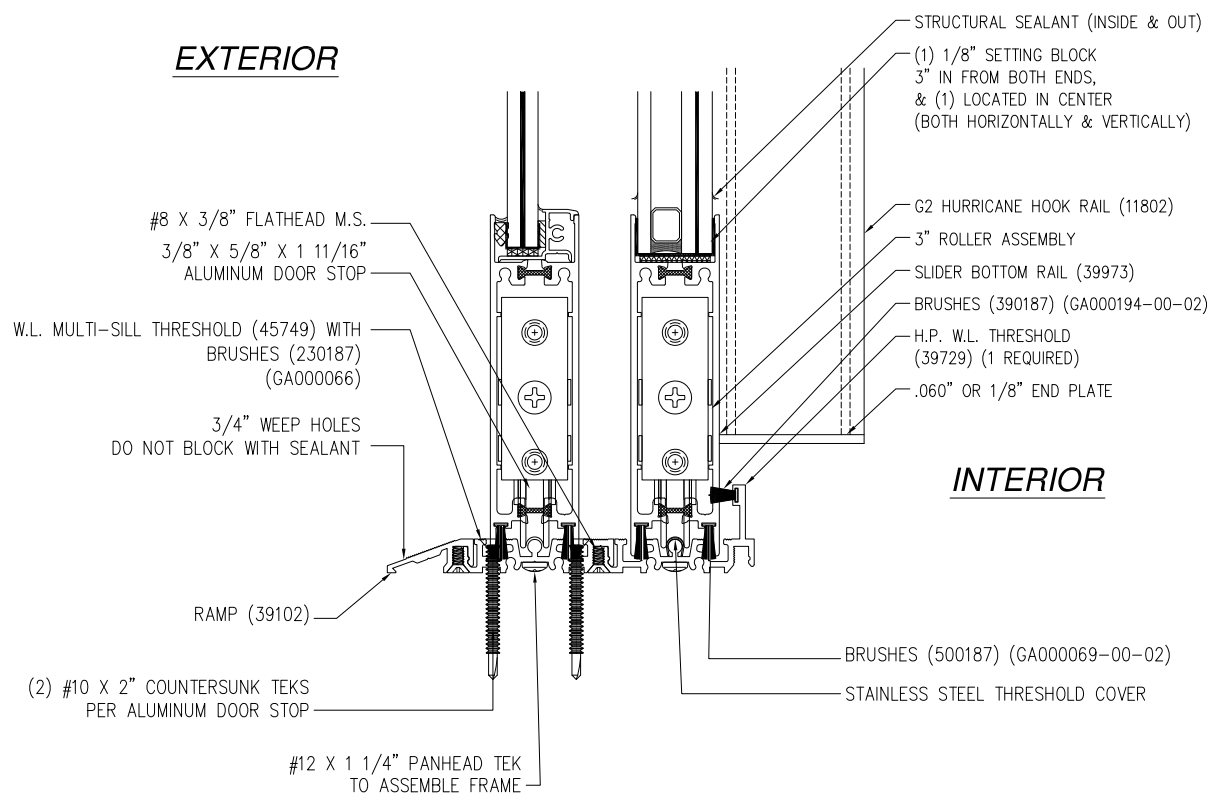


Luis R. Lomas P.E.
FL No.: 62514

| REVISIONS | | | |
|-----------|-------------|------|----------|
| REV | DESCRIPTION | DATE | APPROVED |
| | | | |

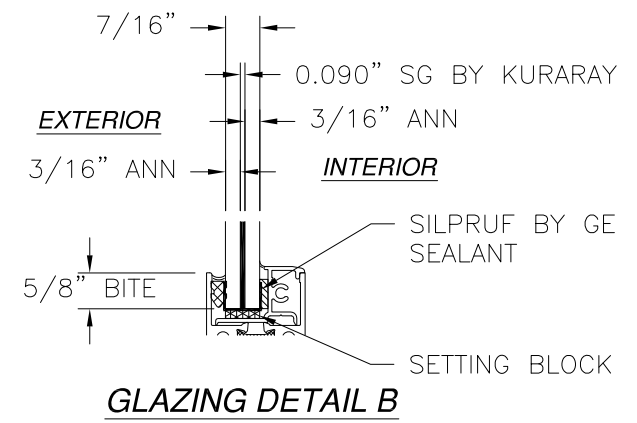
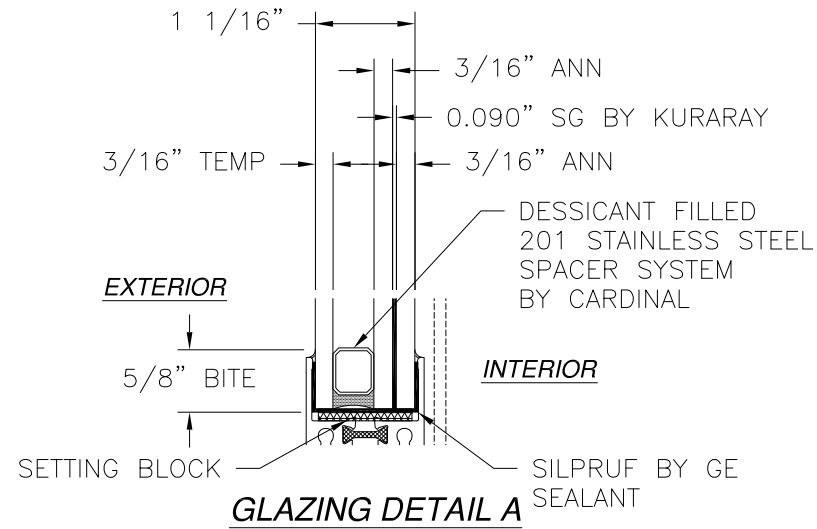


EXTERIOR



INTERIOR

VERTICAL CROSS SECTION



SIGNED: 12/20/2022

THERMA-TRU
 1750 INDIAN WOOD CIRCLE
 MAUMEE, OH 43537

SERIES V-2 SLIDING GLASS DOOR
 5x8 PANEL
 CROSS SECTIONS AND GLAZING DETAILS

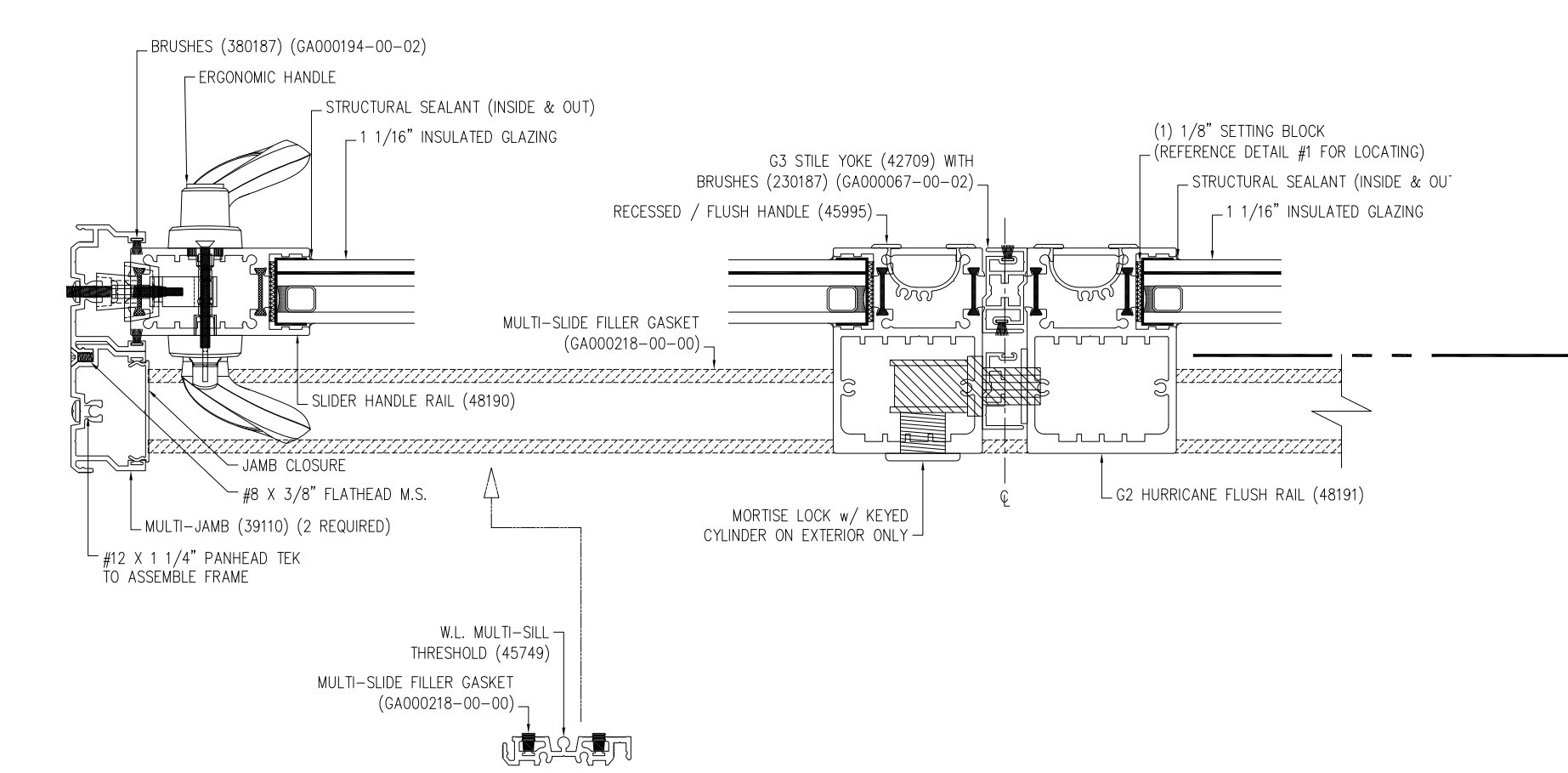
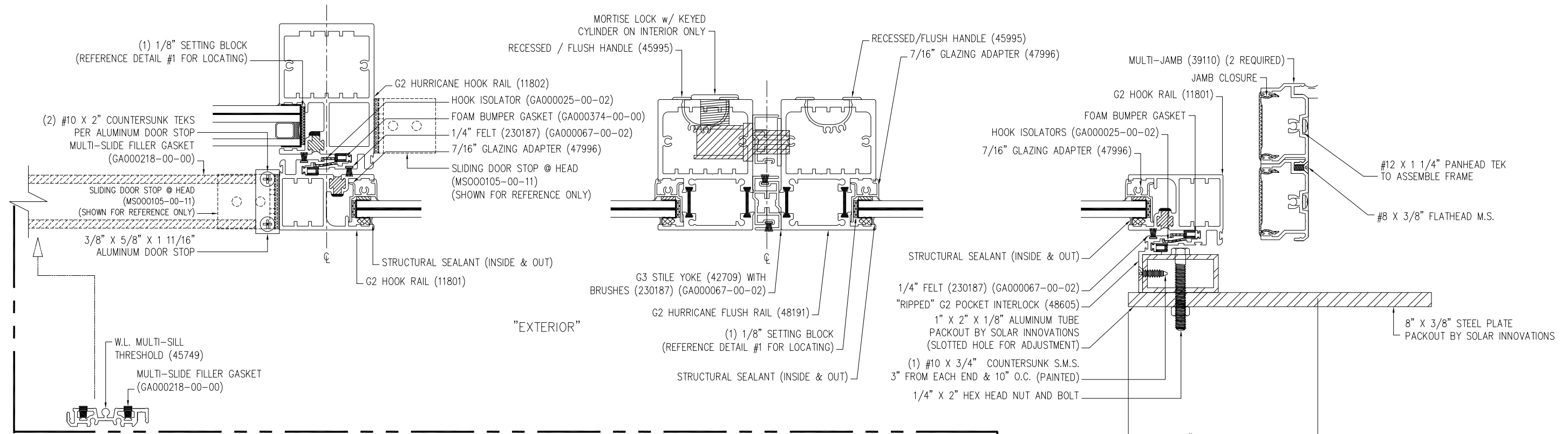
| | | |
|----------------|---------------------|-----------------|
| DRAWN: R.L. | DWG NO. 08-03867 | REV - |
| SCALE NTS | DATE 11/03/22 | SHEET 4 OF 9 |

L. ROBERTO LOMAS P.E.
 400 S. PALM AVE, INDIALANTIC, FL 32903
 434-688-0609 rllomas@rlomaspe.com

LUIS R. LOMAS P.E.
 FL No.: 62514

| REVISIONS | | | |
|-----------|-------------|------|----------|
| REV | DESCRIPTION | DATE | APPROVED |
| | | | |

HORIZONTAL CROSS SECTION



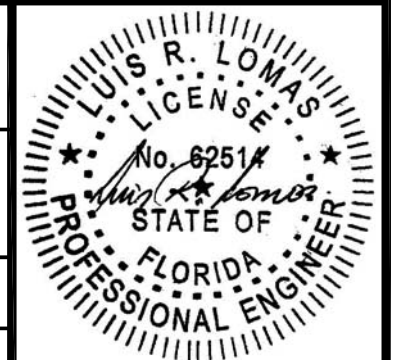
THERMA-TRU
1750 INDIAN WOOD CIRCLE
MAUMEE, OH 43537

SERIES V-2 SLIDING GLASS DOOR
5x8 PANEL
CROSS SECTIONS

| | | |
|----------------|---------------------|-----------------|
| DRAWN: R.L. | DWG NO. 08-03867 | REV - |
| SCALE NTS | DATE 11/03/22 | SHEET 5 OF 9 |

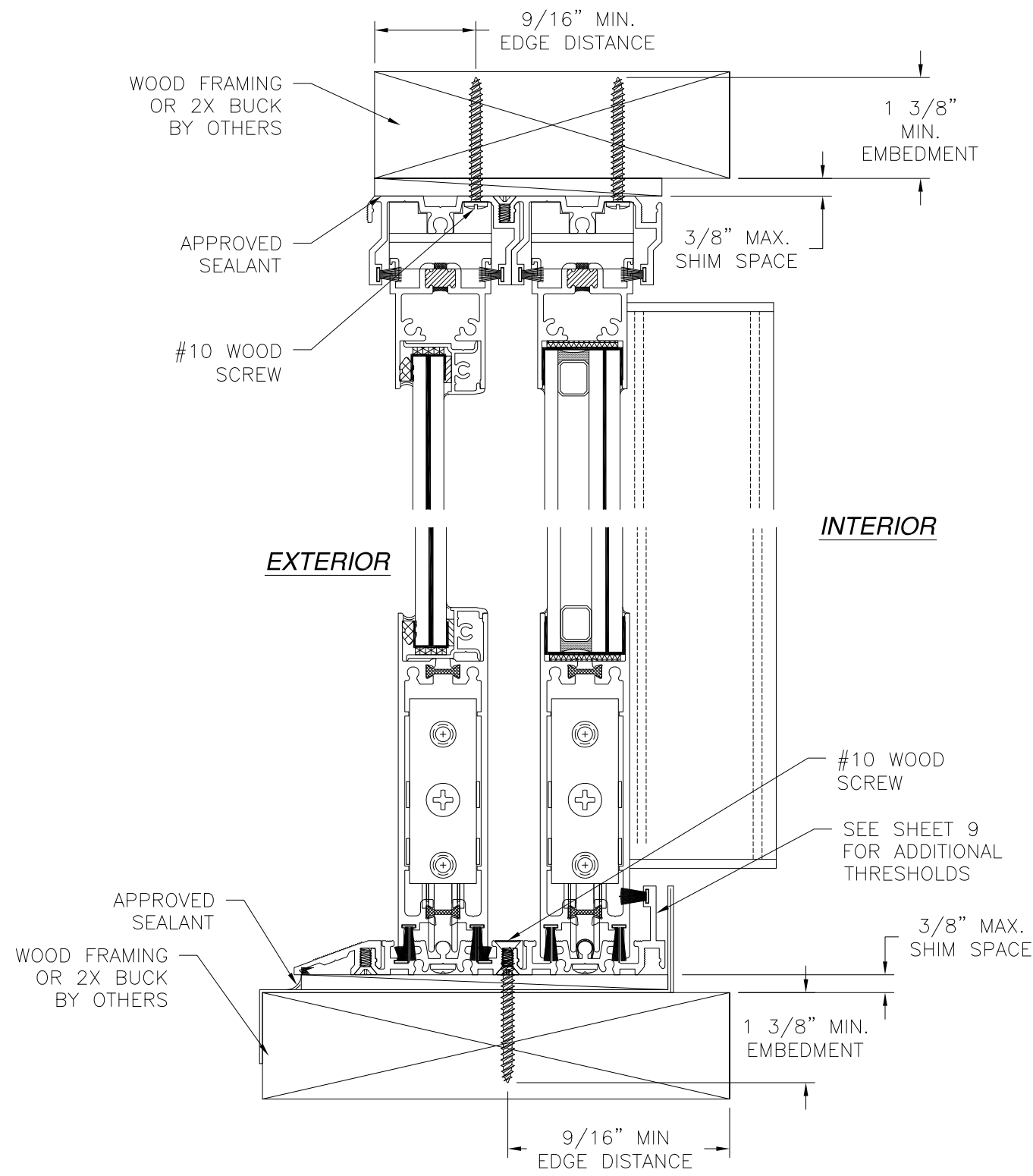
L. ROBERTO LOMAS P.E.
400 S. PALM AVE, INDIAN LANTIC, FL 32903
434-688-0609 rllomas@rlomaspe.com

SIGNED: 12/20/2022



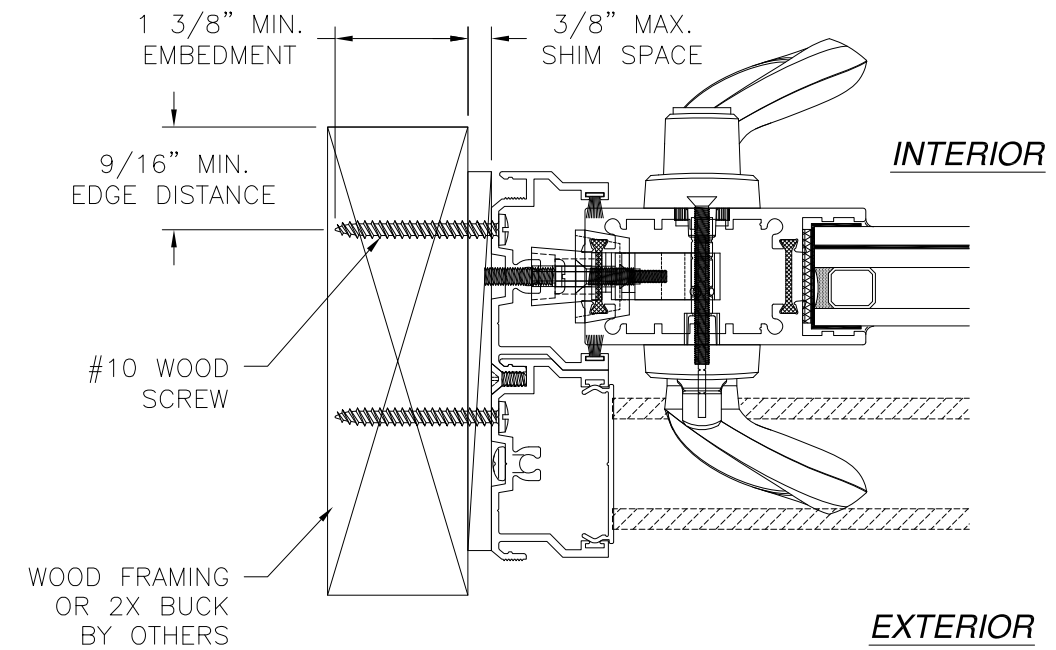
Luis R. Lomas P.E.
FL No.: 62514

| REVISIONS | | | |
|-----------|-------------|------|----------|
| REV | DESCRIPTION | DATE | APPROVED |
| | | | |



VERTICAL CROSS SECTION
WOOD FRAMING OR 2X BUCK INSTALLATION

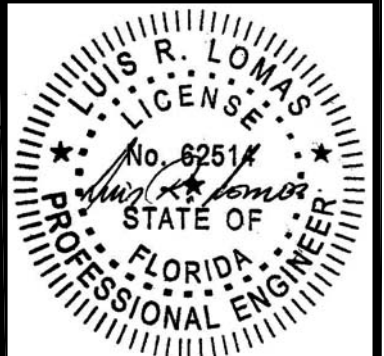
- NOTES:**
1. INTERIOR AND EXTERIOR FINISHES, BY OTHERS, NOT SHOWN FOR CLARITY.
 2. PERIMETER AND JOINT SEALANT BY OTHERS TO BE DESIGNED IN ACCORDANCE WITH ASTM E2112



JAMB INSTALLATION DETAIL
WOOD FRAMING OR 2X BUCK INSTALLATION

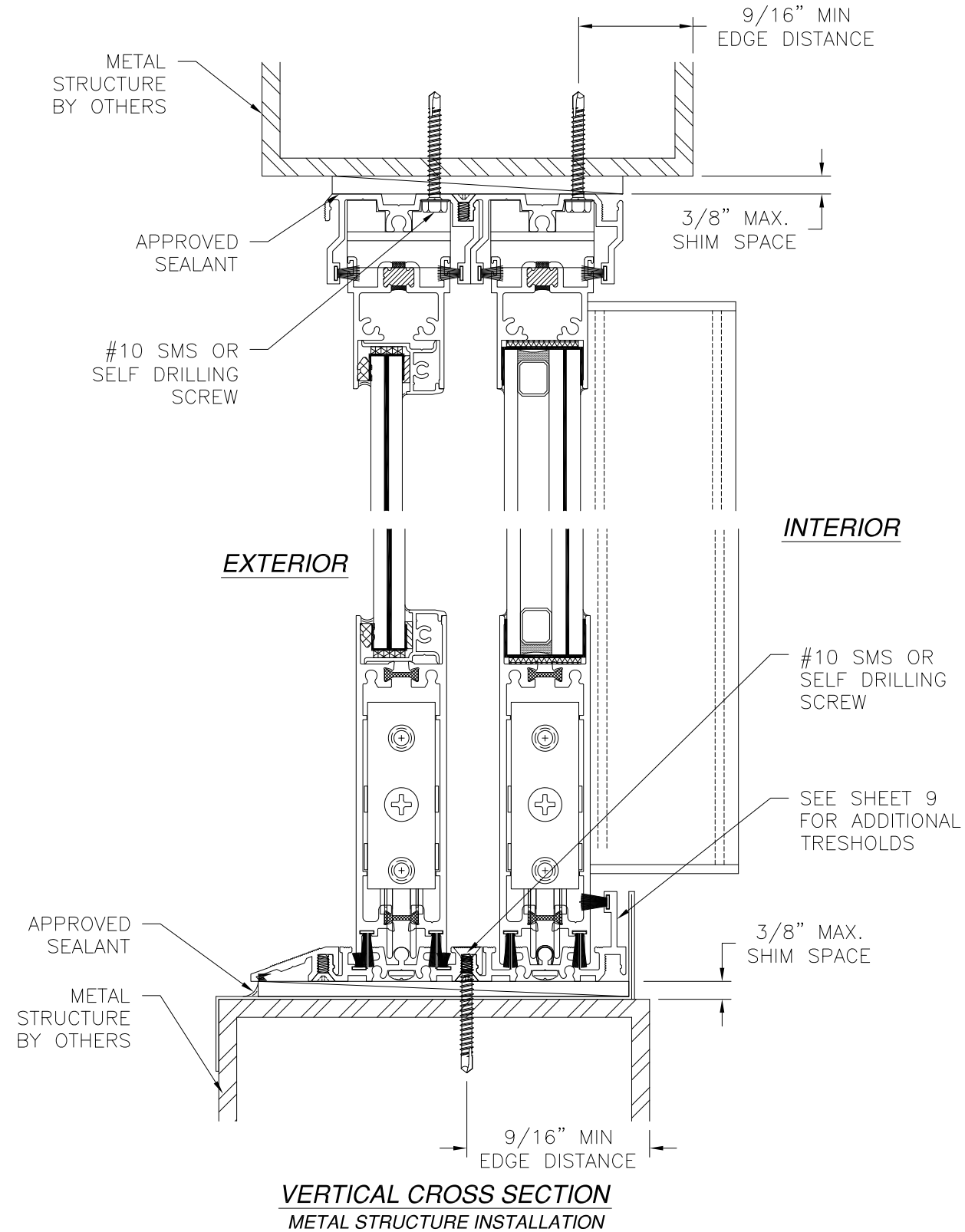
| | | |
|------------------------------------------------------------------------------------------------------|---------------------|-----------------|
| THERMA-TRU 1750 INDIAN WOOD CIRCLE MAUMEE, OH 43537 | | |
| SERIES V-2 SLIDING GLASS DOOR 5x8 PANEL INSTALLATION DETAILS | | |
| DRAWN: R.L. | DWG NO. 08-03867 | REV - |
| SCALE NTS | DATE 11/03/22 | SHEET 6 OF 9 |
| L. ROBERTO LOMAS P.E. 400 S. PALM AVE, INDIALANTIC, FL 32903 434-688-0609 rllomas@rlomaspe.com | | |

SIGNED: 12/20/2022

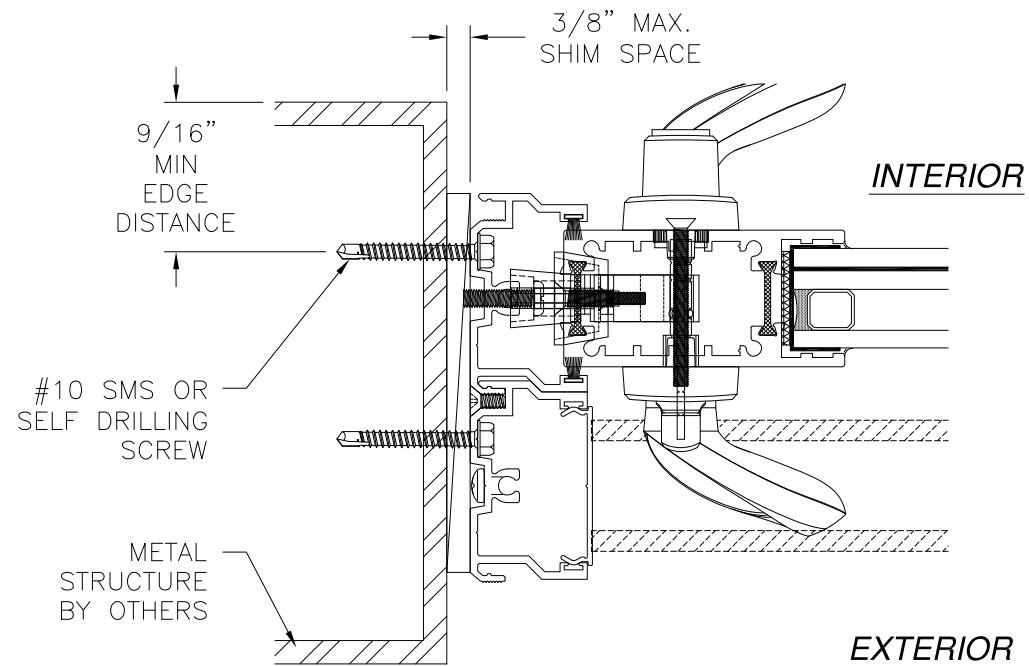


Luis R. Lomas P.E.
FL No.: 62514

| REVISIONS | | | |
|-----------|-------------|------|----------|
| REV | DESCRIPTION | DATE | APPROVED |
| | | | |



VERTICAL CROSS SECTION
METAL STRUCTURE INSTALLATION

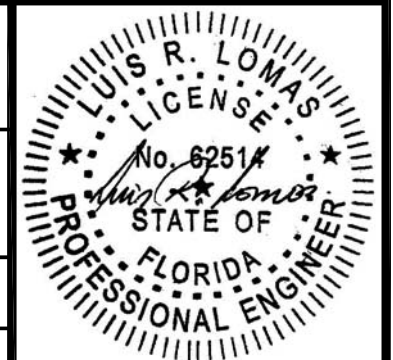


JAMB INSTALLATION DETAIL
METAL STRUCTURE INSTALLATION

- NOTES:**
1. INTERIOR AND EXTERIOR FINISHES, BY OTHERS, NOT SHOWN FOR CLARITY.
 2. PERIMETER AND JOINT SEALANT BY OTHERS TO BE DESIGNED IN ACCORDANCE WITH ASTM E2112

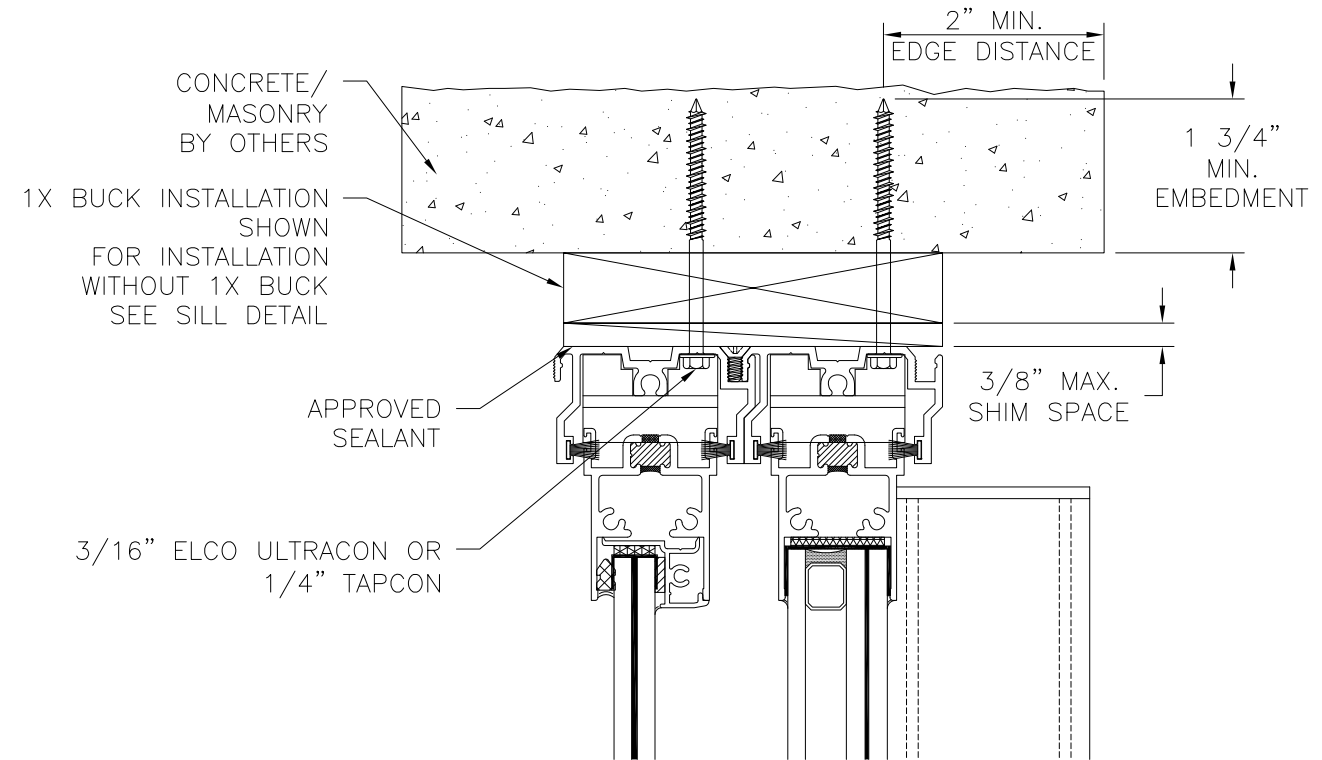
| | | |
|------------------------------------------------------------------------------------------------------|---------------------|-----------------|
| THERMA-TRU 1750 INDIAN WOOD CIRCLE MAUMEE, OH 43537 | | |
| SERIES V-2 SLIDING GLASS DOOR 5x8 PANEL INSTALLATION DETAILS | | |
| DRAWN: R.L. | DWG NO. 08-03867 | REV - |
| SCALE NTS | DATE 11/03/22 | SHEET 7 OF 9 |
| L. ROBERTO LOMAS P.E. 400 S. PALM AVE, INDIALANTIC, FL 32903 434-688-0609 rllomas@rlomaspe.com | | |

SIGNED: 12/20/2022

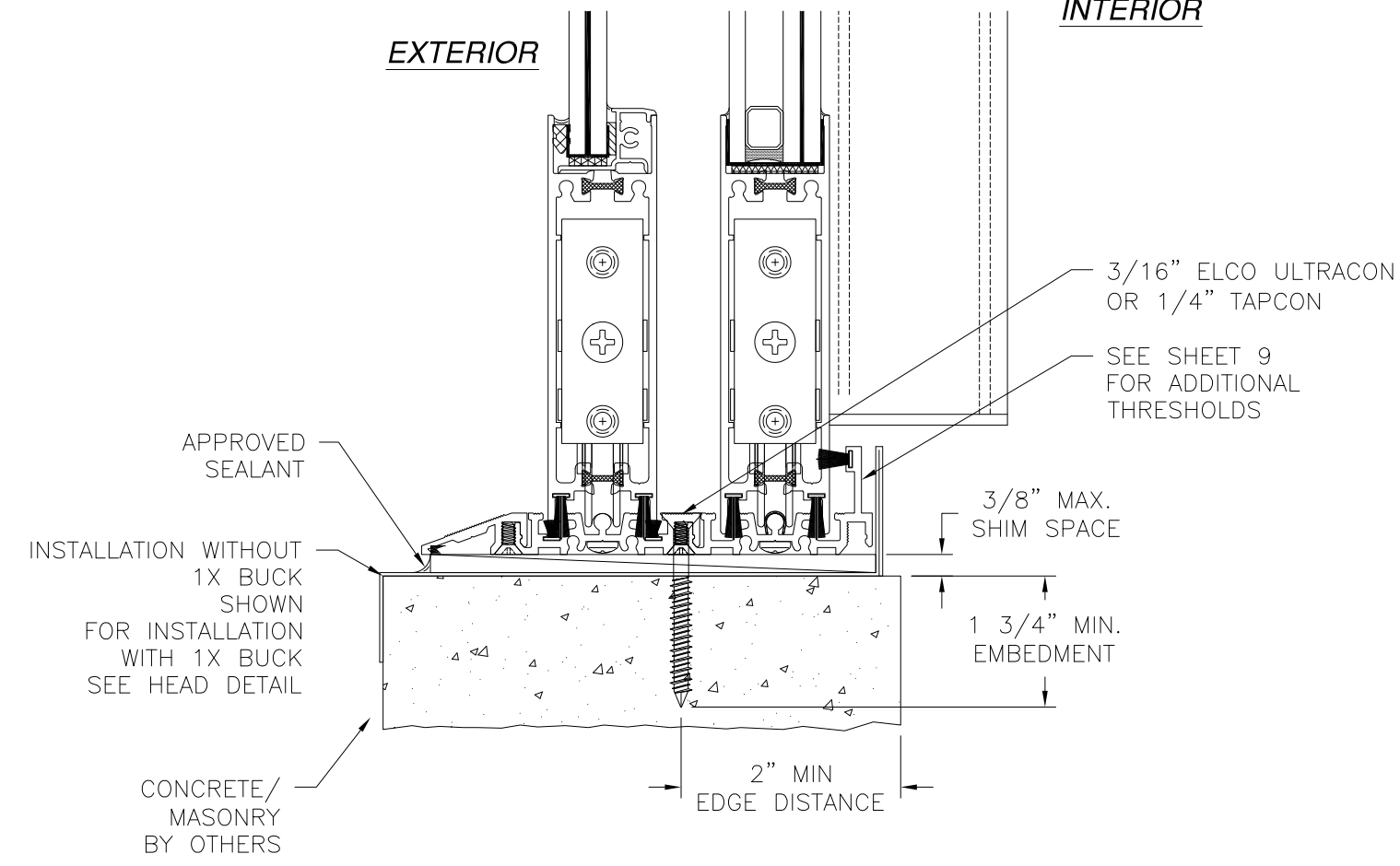


Luis R. Lomas P.E.
FL No.: 62514

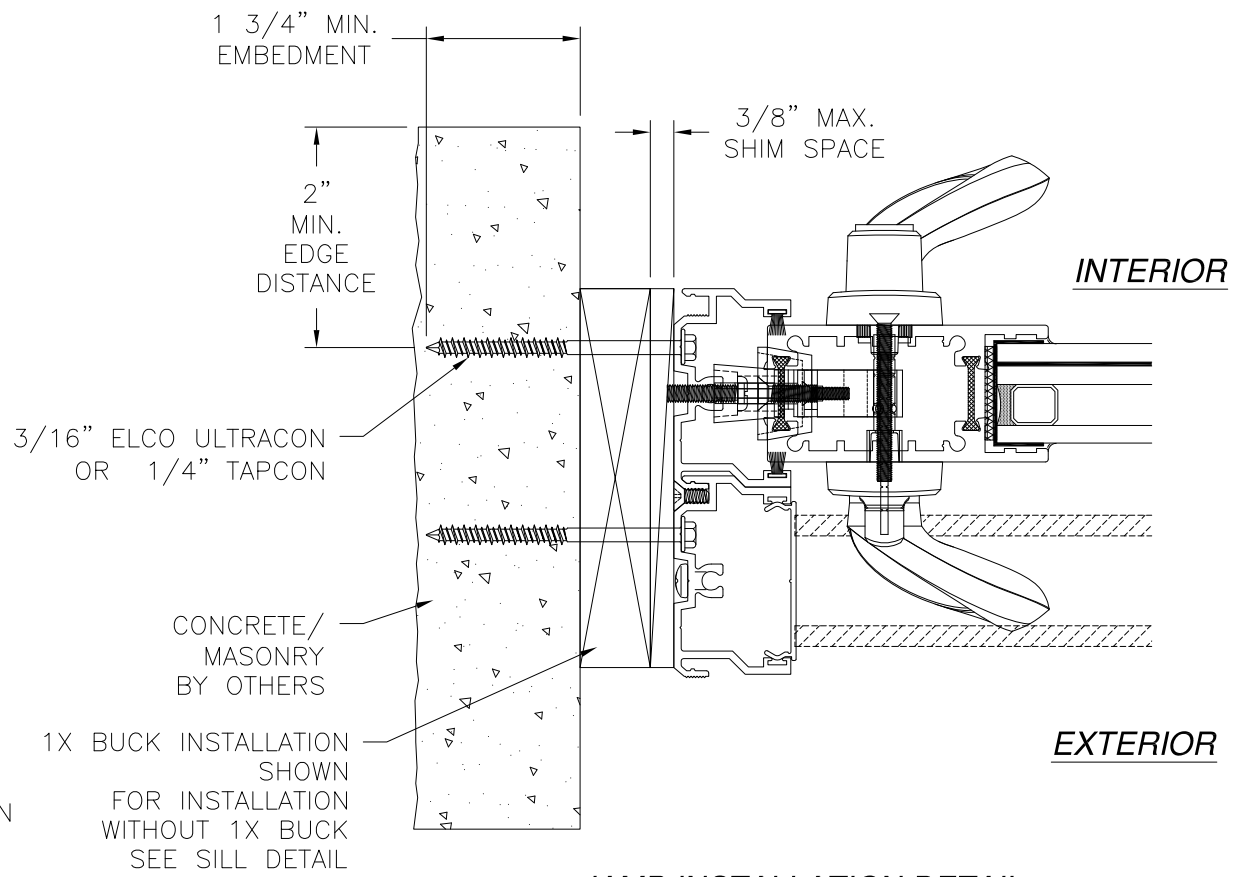
| REVISIONS | | | |
|-----------|-------------|------|----------|
| REV | DESCRIPTION | DATE | APPROVED |
| | | | |



EXTERIOR **INTERIOR**



VERTICAL CROSS SECTION
CONCRETE/MASONRY INSTALLATION



JAMB INSTALLATION DETAIL
CONCRETE/MASONRY INSTALLATION

- NOTES:**
1. INTERIOR AND EXTERIOR FINISHES, BY OTHERS, NOT SHOWN FOR CLARITY.
 2. PERIMETER AND JOINT SEALANT BY OTHERS TO BE DESIGNED IN ACCORDANCE WITH ASTM E2112

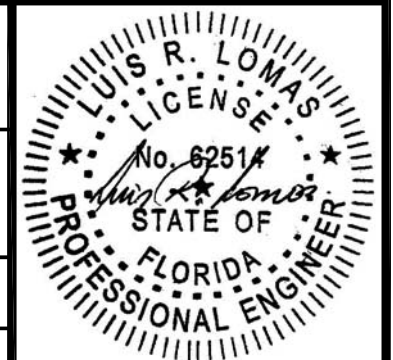
THERMA-TRU
1750 INDIAN WOOD CIRCLE
MAUMEE, OH 43537

SERIES V-2 SLIDING GLASS DOOR
5x8 PANEL
INSTALLATION DETAILS

| | | |
|----------------|---------------------|--------------|
| DRAWN: R.L. | DWG NO. 08-03867 | REV - |
| SCALE NTS | DATE 11/03/22 | SHEET 8 OF 9 |

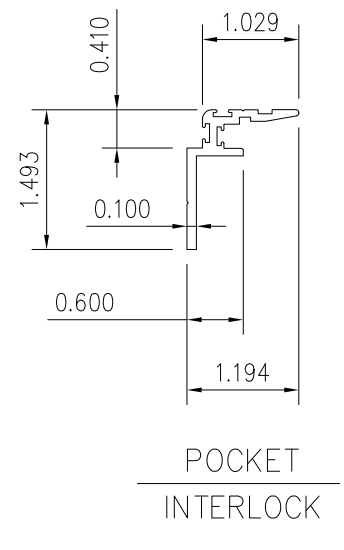
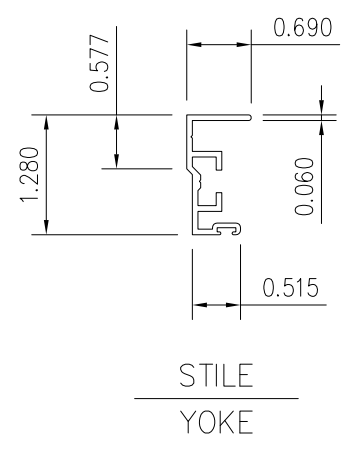
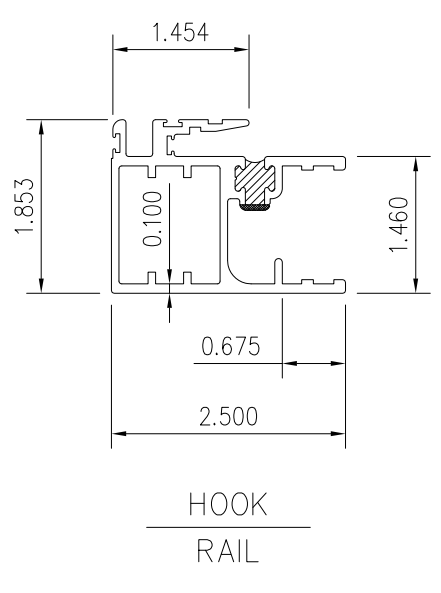
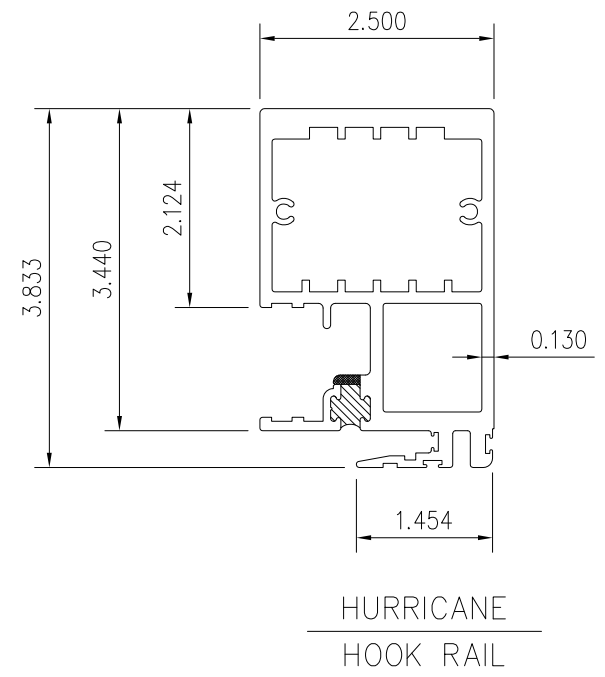
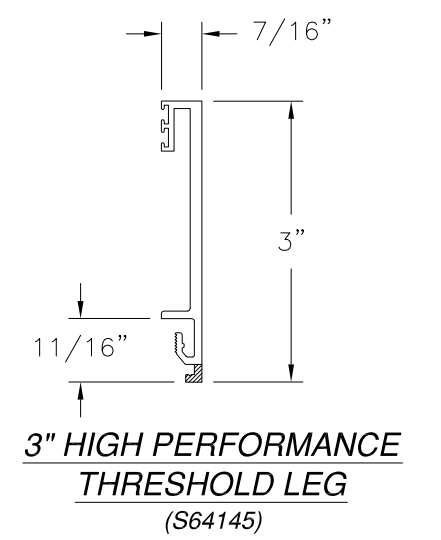
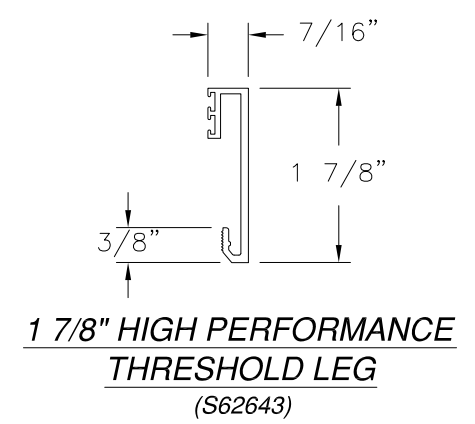
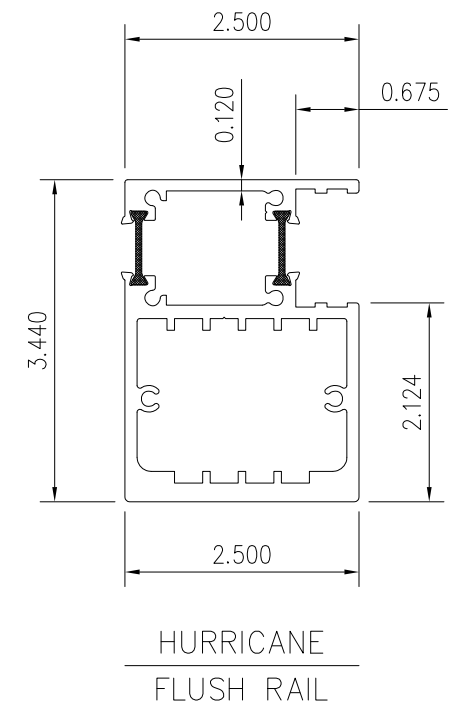
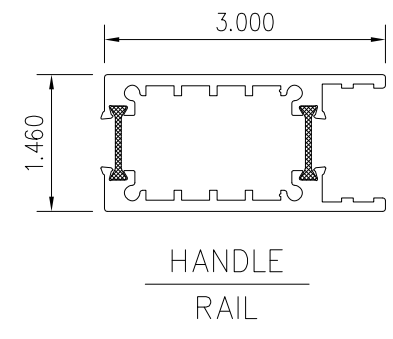
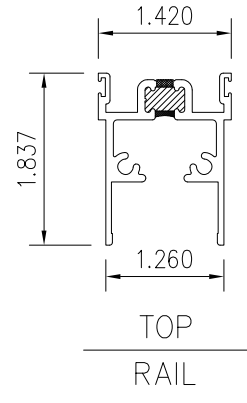
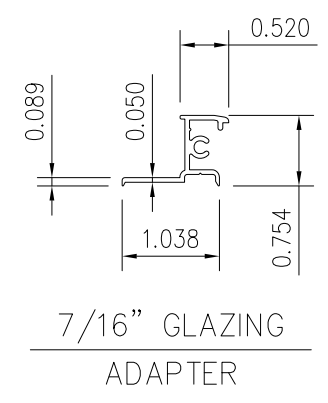
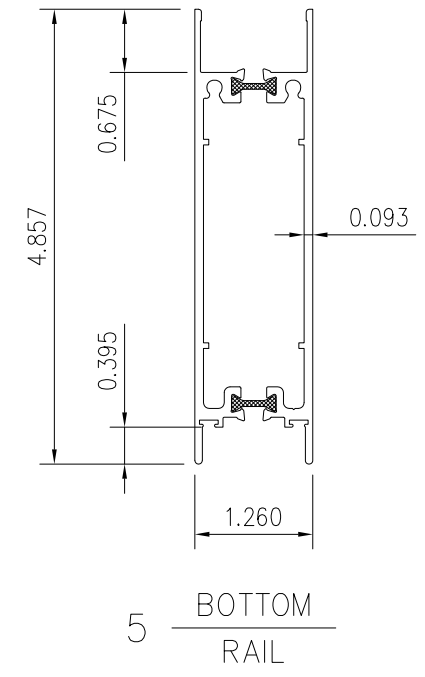
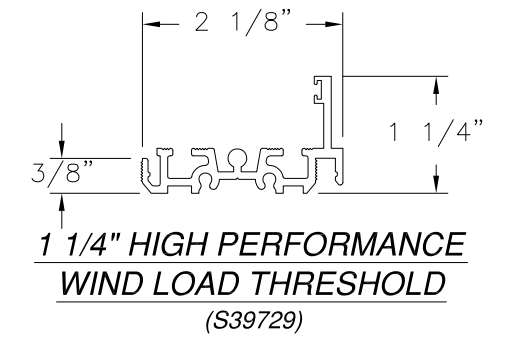
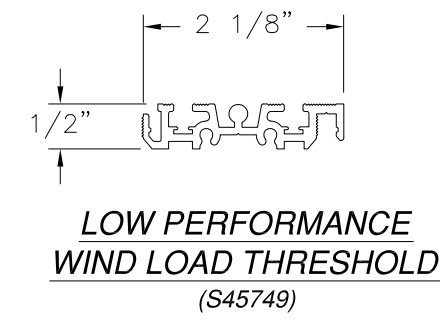
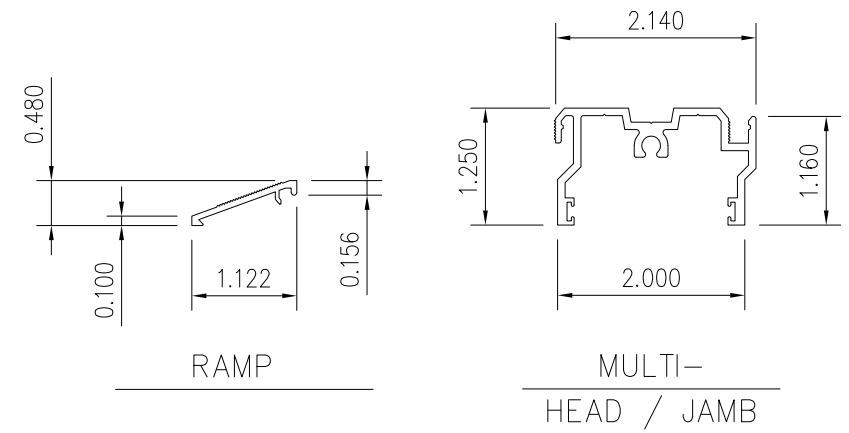
L. ROBERTO LOMAS P.E.
400 S. PALM AVE, INDIALANTIC, FL 32903
434-688-0609 rllomas@rlomaspe.com

SIGNED: 12/20/2022



Luis R. Lomas P.E.
FL No.: 62514

| REVISIONS | | | |
|-----------|-------------|------|----------|
| REV | DESCRIPTION | DATE | APPROVED |
| | | | |



THERMA-TRU
 1750 INDIAN WOOD CIRCLE
 MAUMEE, OH 43537

SERIES V-2 SLIDING GLASS DOOR
 5x8 PANEL
 COMPONENTS

| | | |
|----------------|---------------------|--------------|
| DRAWN: R.L. | DWG NO. 08-03867 | REV - |
| SCALE NTS | DATE 11/03/22 | SHEET 9 OF 9 |

L. ROBERTO LOMAS P.E.
 400 S. PALM AVE, INDIAN LANTIC, FL 32903
 434-688-0609 rllomas@rlomaspe.com

SIGNED: 12/20/2022

Luis R. Lomas P.E.
 FL No.: 62514