

REVISIONS			
REV	DESCRIPTION	DATE	APPROVED

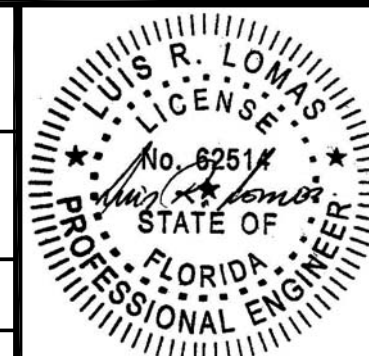
NOTES:

1. THE PRODUCT SHOWN HEREIN IS DESIGNED AND MANUFACTURED TO COMPLY WITH REQUIREMENTS OF THE FLORIDA BUILDING CODE INCLUDING THE HVHZ.
2. WOOD FRAMING AND MASONRY OPENING TO BE DESIGNED AND ANCHORED TO PROPERLY TRANSFER ALL LOADS TO STRUCTURE. FRAMING AND MASONRY OPENING IS THE RESPONSIBILITY OF THE ARCHITECT OR ENGINEER OF RECORD.
3. WHERE 1X BUCK IS NOT USED DISSIMILAR MATERIALS MUST BE SEPARATED WITH APPROVED COATING OR MEMBRANE. SELECTION OF COATING OR MEMBRANE IS THE RESPONSIBILITY OF THE ARCHITECT OR ENGINEER OF RECORD.
4. ALLOWABLE STRESS INCREASE OF 1/3 WAS NOT USED IN THE DESIGN OF THE PRODUCT SHOWN HEREIN. WIND LOAD DURATION FACTOR Cd=1.6 WAS USED FOR WOOD ANCHOR CALCULATIONS.
5. FRAME MATERIAL: ALUMINUM 6063-T6
6. UNITS MUST BE GLAZED PER ASTM E1300, WITH SAFETY GLAZING.
7. APPROVED IMPACT PROTECTIVE SYSTEM IS REQUIRED FOR THIS PRODUCT IN WIND BORNE DEBRIS REGIONS.
8. SHIM AS REQUIRED AT EACH INSTALLATION ANCHOR WITH LOAD BEARING SHIM. SHIM WHERE SPACE OF 1/16" OR GREATER OCCURS. MAXIMUM ALLOWABLE SHIM STACK TO BE 3/8".
9. FOR ANCHORING INTO WOOD FRAMING OR 2X BUCK USE #10 WOOD SCREWS WITH SUFFICIENT LENGTH TO ACHIEVE A 1 3/8" MINIMUM EMBEDMENT INTO SUBSTRATE. LOCATE ANCHORS AS SHOWN IN ELEVATIONS AND INSTALLATION DETAILS.
10. FOR ANCHORING INTO MASONRY/CONCRETE USE 3/16" ELCO ULTRACON OR 1/4" TAPCONS WITH SUFFICIENT LENGTH TO ACHIEVE A 1 3/4" MINIMUM EMBEDMENT INTO SUBSTRATE WITH 2" MINIMUM EDGE DISTANCE. LOCATE ANCHORS AS SHOWN IN ELEVATIONS AND INSTALLATION DETAILS.
11. FOR ANCHORING INTO METAL STRUCTURE USE #10 SMS OR SELF DRILLING SCREWS WITH SUFFICIENT LENGTH TO ACHIEVE 3 THREADS MINIMUM BEYOND STRUCTURE INTERIOR WALL. LOCATE ANCHORS AS SHOWN IN ELEVATIONS AND INSTALLATION DETAILS.
12. ALL FASTENERS TO BE CORROSION RESISTANT.
13. INSTALLATION ANCHORS SHALL BE INSTALLED IN ACCORDANCE WITH ANCHOR MANUFACTURER'S INSTALLATION INSTRUCTIONS AND ANCHORS SHALL NOT BE USED IN SUBSTRATES WITH STRENGTHS LESS THAN THE MINIMUM STRENGTH SPECIFIED BELOW:
  - A. WOOD – MINIMUM SPECIFIC GRAVITY OF G=0.42
  - B. CONCRETE – MINIMUM COMPRESSIVE STRENGTH OF 3,000 PSI.
  - C. GROUT FILLED MASONRY – STRENGTH CONFORMANCE TO ASTM C-90, GRADE N, TYPE 1 (OR GREATER).
  - D. METAL STRUCTURE: STEEL 18GA, 33KSI OR ALUMINUM 6063-T5 .125" THICK MINIMUM

TABLE OF CONTENTS	
SHEET NO.	DESCRIPTION
1	NOTES
2	ELEVATION AND RATINGS
3 – 4	CROSS SECTIONS
5 – 7	INSTALLATION DETAILS
8	COMPONENTS

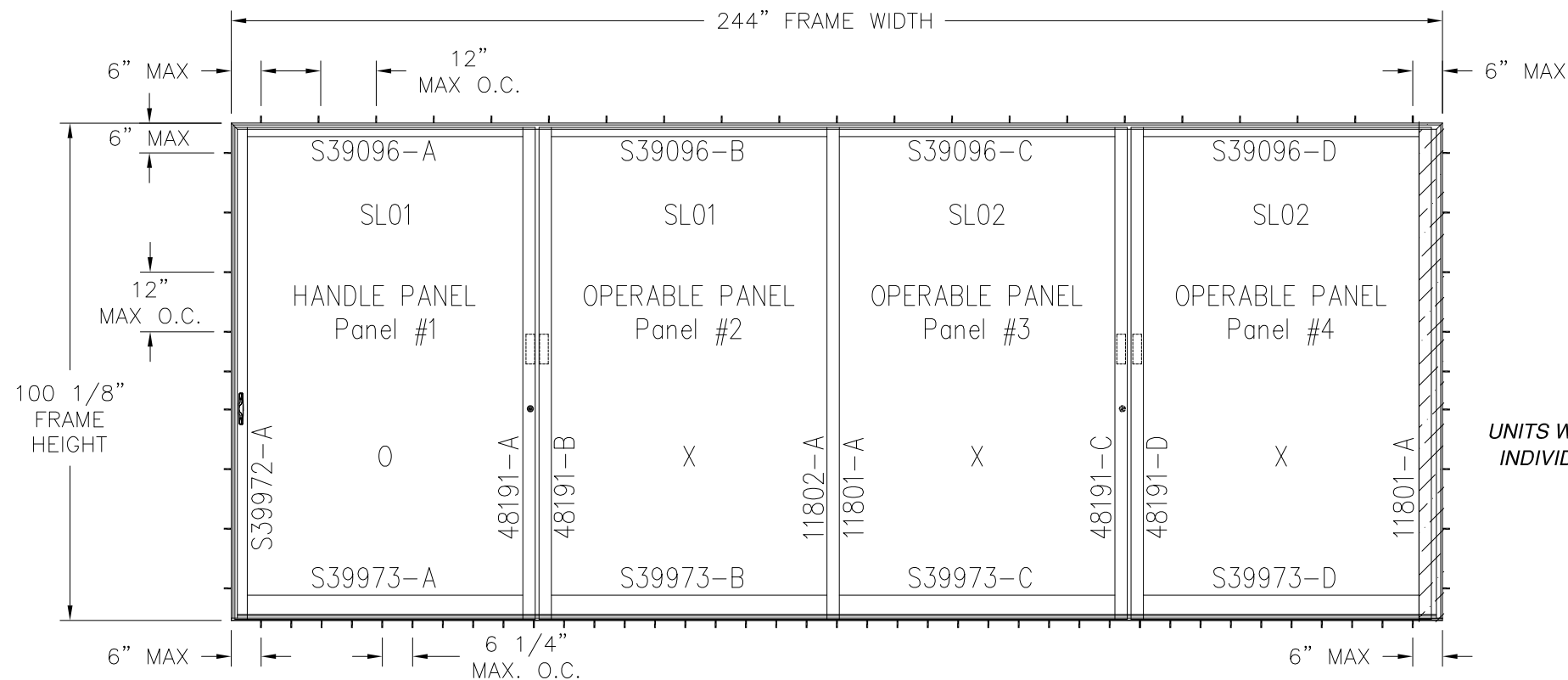
<b>THERMA-TRU</b> 1750 INDIAN WOOD CIRCLE MAUMEE, OH 43537		
SERIES V-2 SLIDING GLASS DOOR 5x8 PANEL NON-IMPACT NOTES		
DRAWN: R.L.	DWG NO. 08-03871	REV -
SCALE NTS	DATE 11/03/22	SHEET 1 OF 8
L. ROBERTO LOMAS P.E. 400 S. PALM AVE, INDIANLANTIC, FL 32903 434-688-0609 rllomas@lrlomaspe.com		

SIGNED: 12/20/2022



Luis R. Lomas P.E.  
FL No.: 62514

REVISIONS			
REV	DESCRIPTION	DATE	APPROVED



DESIGN PRESSURE RATING	IMPACT RATING
±65.0PSF	NONE

FOR ADDITIONAL SIZES SEE CHART #1

UNITS WITH 4 PANELS MAXIMUM IN UNLIMITED CONFIGURATIONS ARE APPROVED AS LONG AS INDIVIDUAL PANEL AREA DOES NOT EXCEED 41.59 FT<sup>2</sup> AND FRAME AREA DOES NOT EXCEED 254.48 FT<sup>2</sup> AND USES VERTICAL CONDITIONS AS SHOWN.

**SERIES V-2 SLIDING GLASS DOOR 5x8 PANEL**  
EXTERIOR VIEW

**Chart #1**

Maximum Design pressure (psf)																
Panel Height (in)	Single Panel Width (in)															
	24.0		30.0		36.0		42.0		48.0		54.0		60.5		66.0	
	Pos	Neg	Pos	Neg	Pos	Neg	Pos	Neg	Pos	Neg	Pos	Neg	Pos	Neg	Pos	Neg
78.0	80.0	97.5	80.0	97.5	80.0	97.5	80.0	97.5	80.0	97.5	80.0	92.4	80.0	82.5	75.6	75.6
84.0	80.0	97.5	80.0	97.5	80.0	97.5	80.0	97.5	80.0	93.9	80.0	85.8	76.6	76.6	70.2	70.2
90.0	80.0	97.5	80.0	97.5	80.0	97.5	80.0	93.3	80.0	85.3	79.5	79.5	71.5	71.5	65.5	65.5
96.0	80.0	97.5	80.0	97.5	80.0	96.3	80.0	85.8	78.2	78.2	72.6	72.6	67.0	67.0	-	-
99.0	80.0	97.5	80.0	97.5	80.0	92.7	80.0	82.5	75.1	75.1	69.5	69.5	65.0	65.0	-	-
102.0	80.0	97.5	80.0	97.5	80.0	89.4	78.5	78.5	70.2	70.2	64.0	64.0	-	-	-	-
108.0	80.0	97.5	80.0	89.2	75.4	75.4	65.7	65.7	58.6	58.6	53.2	53.2	-	-	-	-
114.0	80.0	93.5	75.6	75.6	63.8	63.8	55.5	55.5	49.4	49.4	-	-	-	-	-	-
120.0	80.0	80.1	64.6	64.6	54.5	54.5	47.3	47.3	42.0	42.0	-	-	-	-	-	-
126.0	69.0	69.0	55.7	55.7	46.9	46.9	40.7	40.7	-	-	-	-	-	-	-	-
132.0	60.0	60.0	48.3	48.3	40.7	40.7	35.2	35.2	-	-	-	-	-	-	-	-
138.0	52.4	52.4	42.2	42.2	35.5	35.5	30.7	30.7	-	-	-	-	-	-	-	-
144.0	46.1	46.1	37.1	37.1	31.2	31.2	-	-	-	-	-	-	-	-	-	-
150.0	40.7	40.7	32.8	32.8	27.5	27.5	-	-	-	-	-	-	-	-	-	-
156.0	36.2	36.2	29.1	29.1	24.4	24.4	-	-	-	-	-	-	-	-	-	-

**NOTES:**

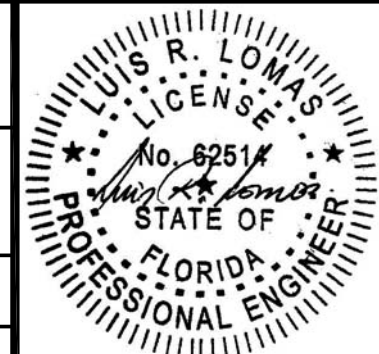
- PANEL SIZE: 60 1/2" x 99"
- D.L.O.: 55 1/2" x 92 5/16"

**HARDWARE SCHEDULE**

A.	(2) POINT METAL LOCK WITH KEEPERS, 42" FROM BOTTOM OF LOCK STILE
B.	DUAL STAINLESS STEEL ROLLERS AT EACH END OF BOTTOM RAILS
C.	ALUMINUM REINFORCEMENT PANEL ADAPTER AT MEETING STILE IN PANELS 1 & 2

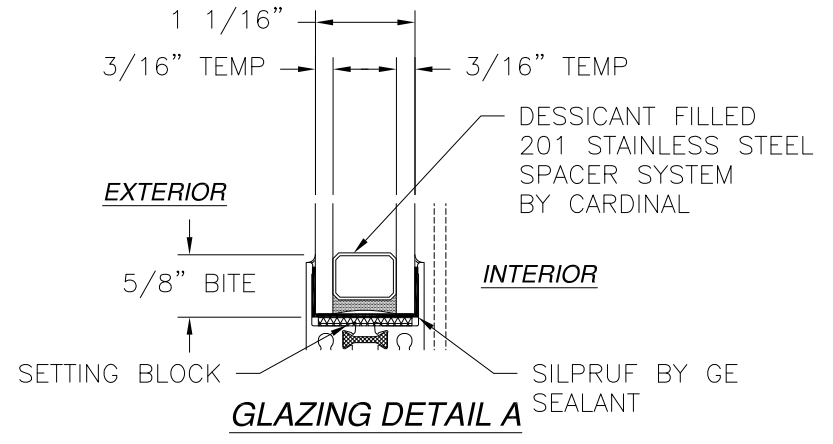
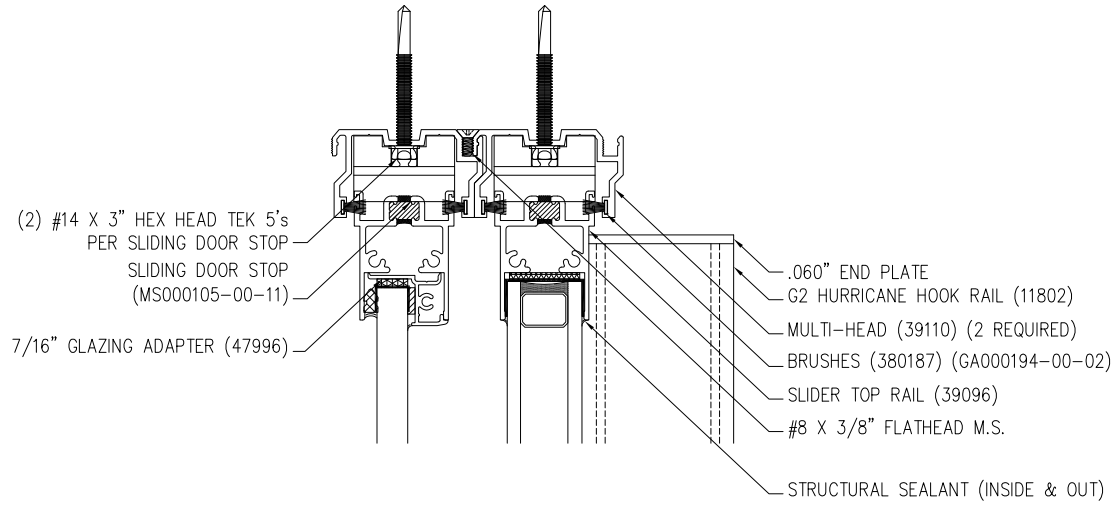
SIGNED: 12/20/2022

<b>THERMA-TRU</b> 1750 INDIAN WOOD CIRCLE MAUMEE, OH 43537		
SERIES V-2 SLIDING GLASS DOOR 5x8 PANEL NON-IMPACT ELEVATION		
DRAWN: R.L.	DWG NO. 08-03871	REV -
SCALE NTS	DATE 11/03/22	SHEET 2 OF 8
L. ROBERTO LOMAS P.E. 400 S. PALM AVE, INDIALANTIC, FL 32903 434-688-0609 rllomas@rlomaspe.com		

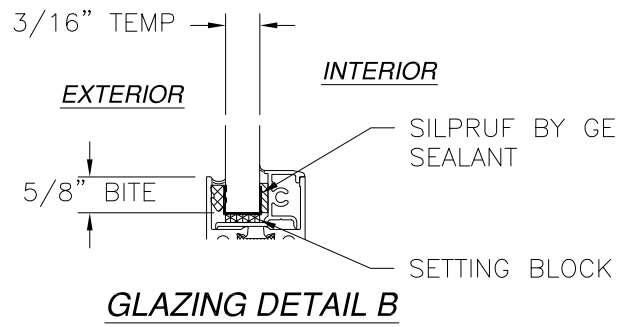
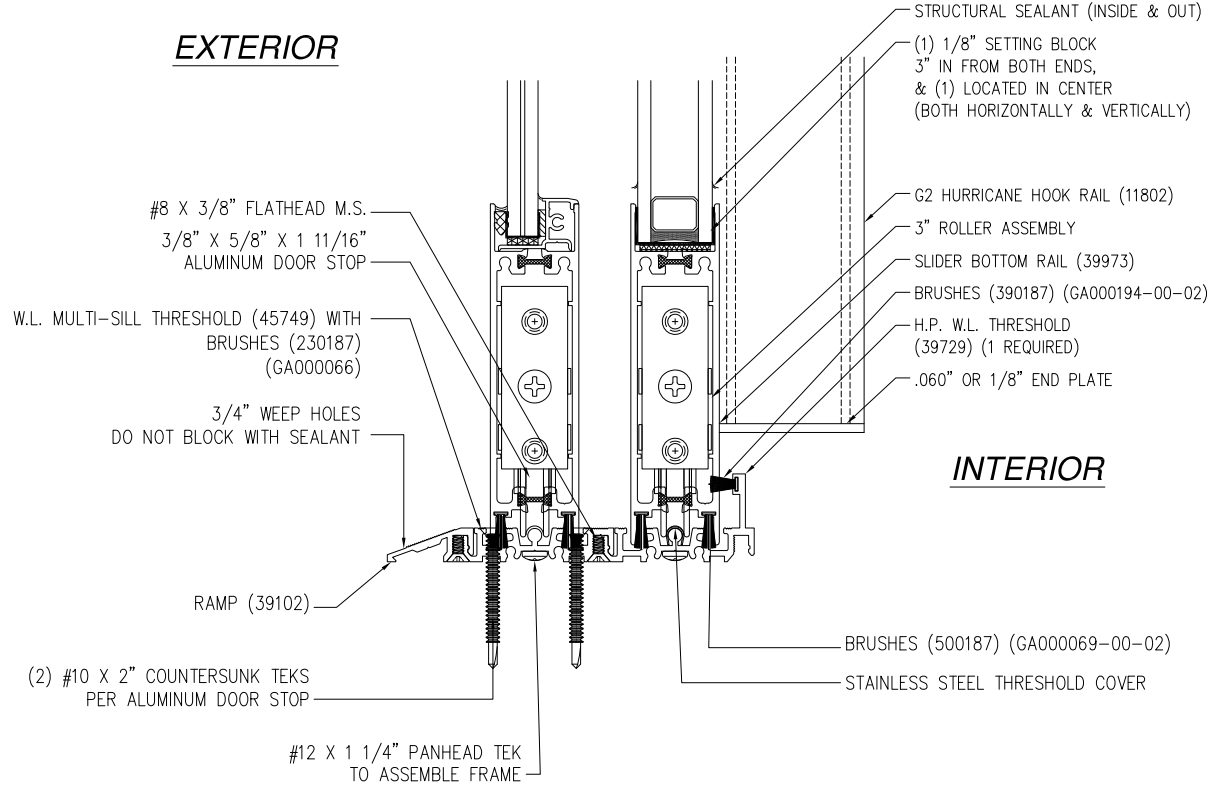


Luis R. Lomas P.E.  
FL No.: 62514

REVISIONS			
REV	DESCRIPTION	DATE	APPROVED



**EXTERIOR**



**VERTICAL CROSS SECTION**

SIGNED: 12/20/2022

**THERMA-TRU**  
 1750 INDIAN WOOD CIRCLE  
 MAUMEE, OH 43537

SERIES V-2 SLIDING GLASS DOOR  
 5x8 PANEL NON-IMPACT  
 CROSS SECTIONS AND GLAZING DETAILS

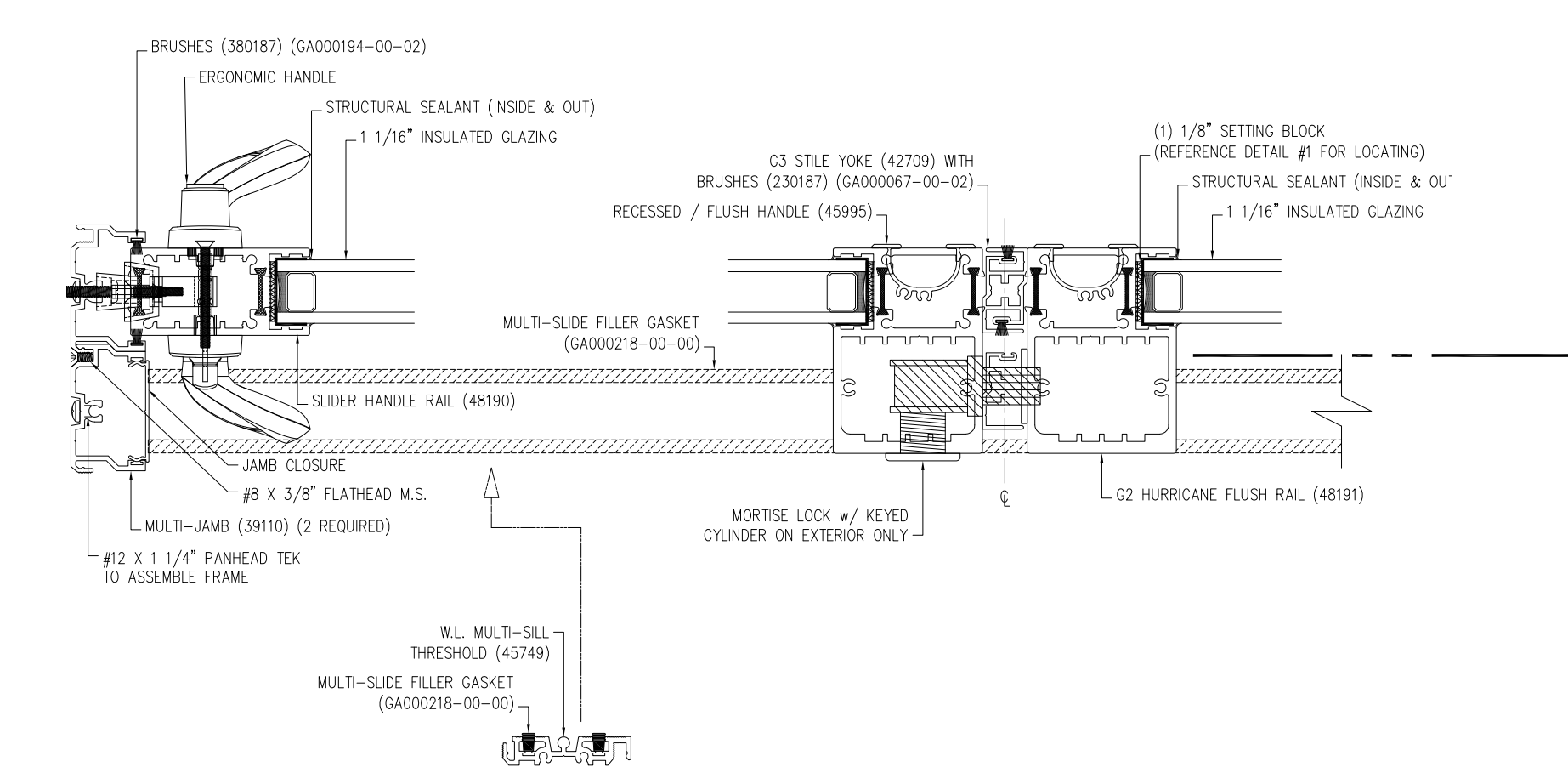
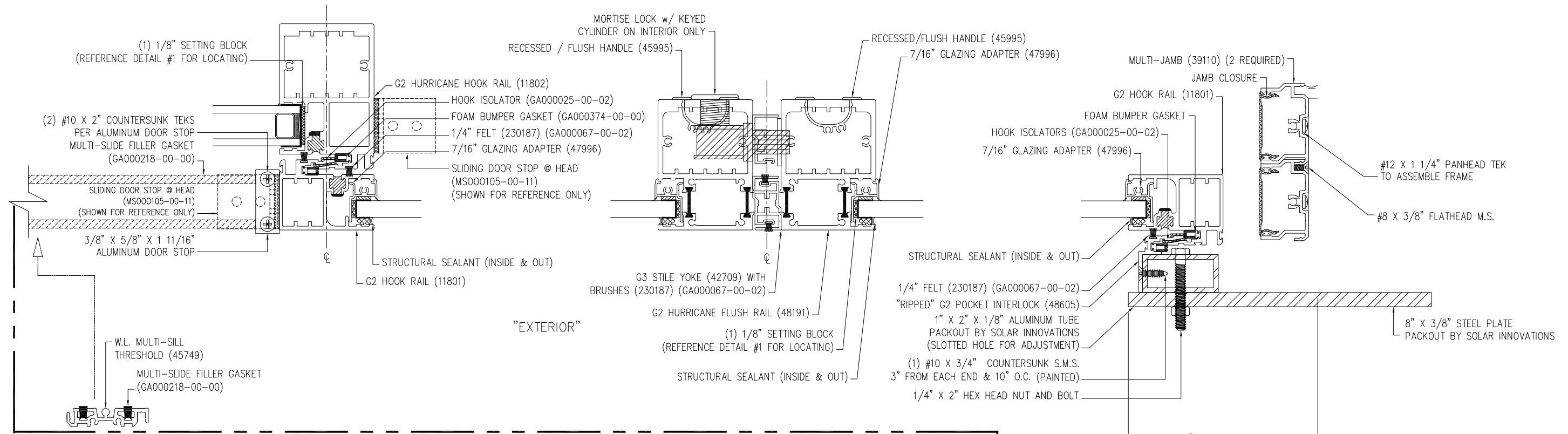
DRAWN: R.L.	DWG NO. 08-03871	REV -
SCALE NTS	DATE 11/03/22	SHEET 3 OF 8

L. ROBERTO LOMAS P.E.  
 400 S. PALM AVE, INDIALANTIC, FL 32903  
 434-688-0609 rllomas@rlomaspe.com

LUIS R. LOMAS P.E.  
 FL No.: 62514

REVISIONS			
REV	DESCRIPTION	DATE	APPROVED

### HORIZONTAL CROSS SECTION



**THERMA-TRU**  
1750 INDIAN WOOD CIRCLE  
MAUMEE, OH 43537

SERIES V-2 SLIDING GLASS DOOR  
5x8 PANEL NON-IMPACT  
CROSS SECTIONS

DRAWN: R.L.	DWG NO. 08-03871	REV -
SCALE NTS	DATE 11/03/22	SHEET 4 OF 8

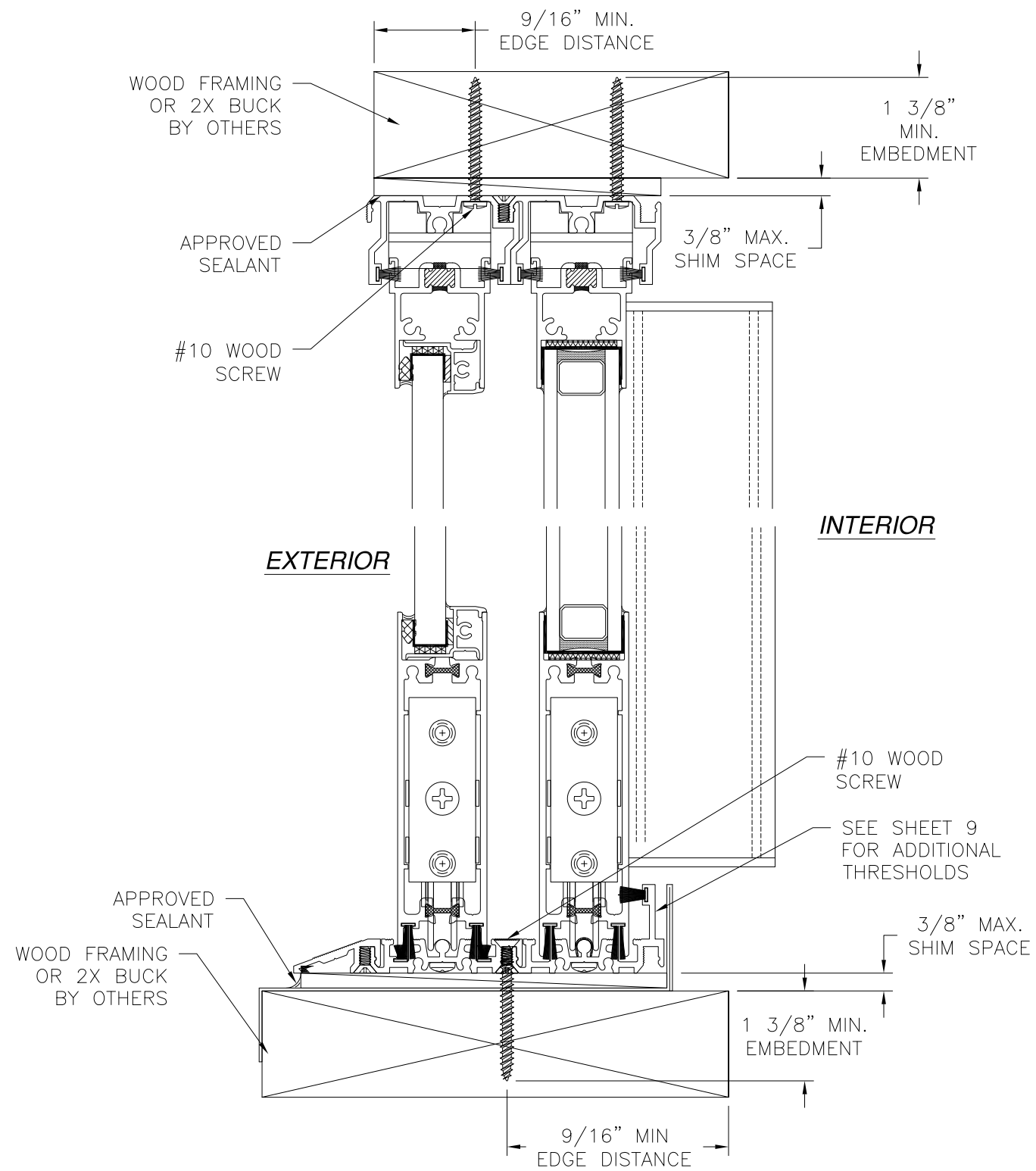
L. ROBERTO LOMAS P.E.  
400 S. PALM AVE, INDIAN LANTIC, FL 32903  
434-688-0609 rllomas@rlomaspe.com

SIGNED: 12/20/2022



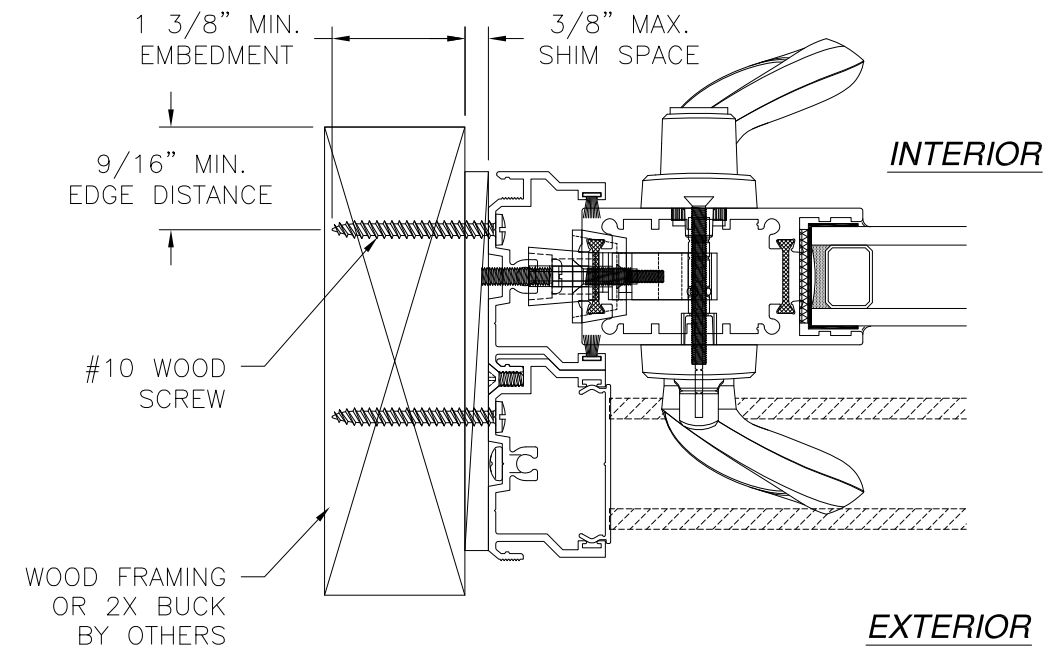
Luis R. Lomas P.E.  
FL No.: 62514

REVISIONS			
REV	DESCRIPTION	DATE	APPROVED



**VERTICAL CROSS SECTION**  
WOOD FRAMING OR 2X BUCK INSTALLATION

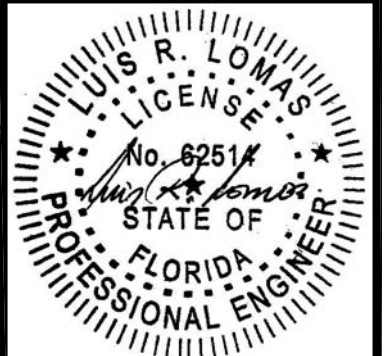
- NOTES:**
1. INTERIOR AND EXTERIOR FINISHES, BY OTHERS, NOT SHOWN FOR CLARITY.
  2. PERIMETER AND JOINT SEALANT BY OTHERS TO BE DESIGNED IN ACCORDANCE WITH ASTM E2112



**JAMB INSTALLATION DETAIL**  
WOOD FRAMING OR 2X BUCK INSTALLATION

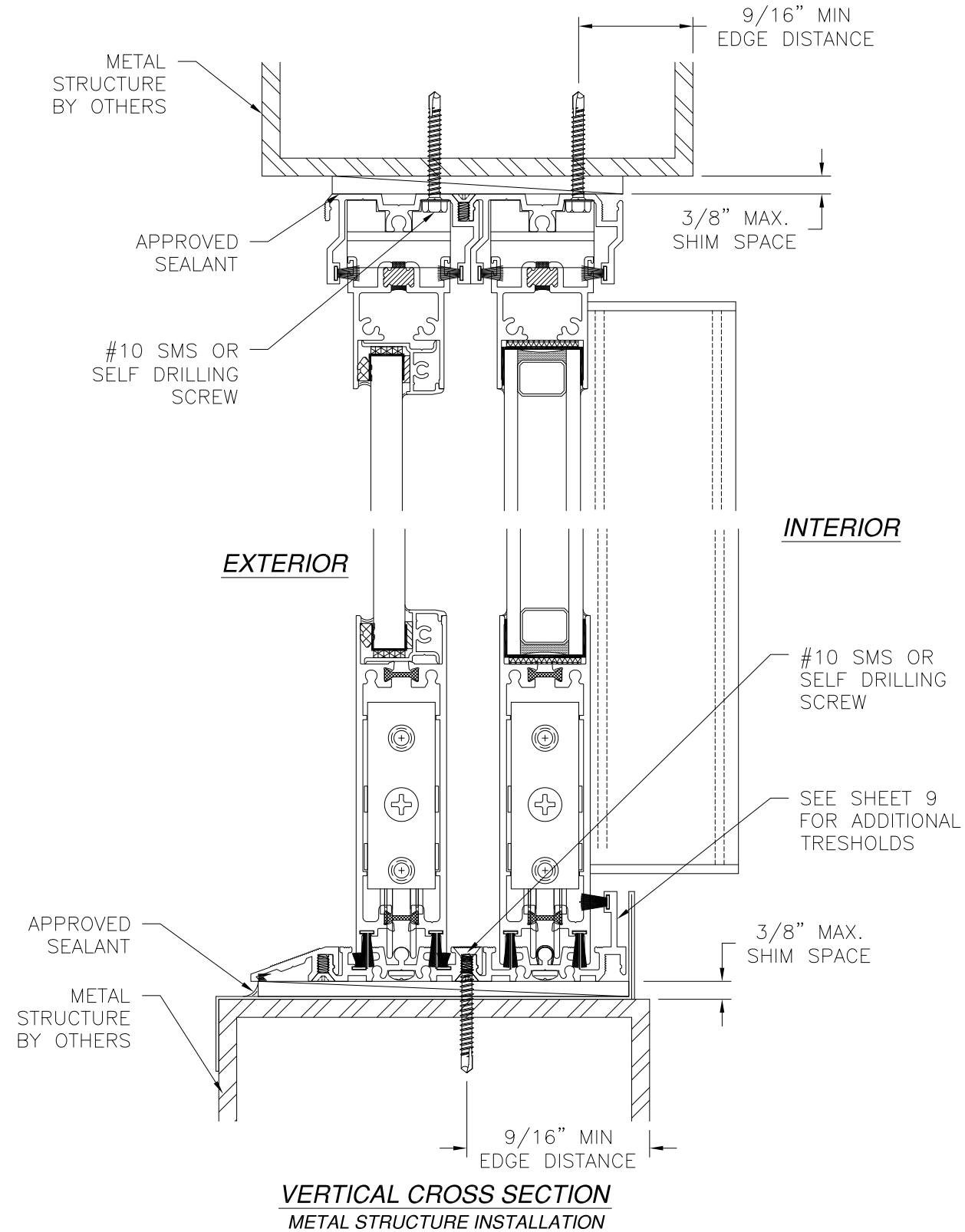
<b>THERMA-TRU</b> 1750 INDIAN WOOD CIRCLE MAUMEE, OH 43537		
SERIES V-2 SLIDING GLASS DOOR 5x8 PANEL NON-IMPACT INSTALLATION DETAILS		
DRAWN: R.L.	DWG NO. 08-03871	REV -
SCALE NTS	DATE 11/03/22	SHEET 5 OF 8
L. ROBERTO LOMAS P.E. 400 S. PALM AVE, INDIALANTIC, FL 32903 434-688-0609 rllomas@rlomaspe.com		

SIGNED: 12/20/2022



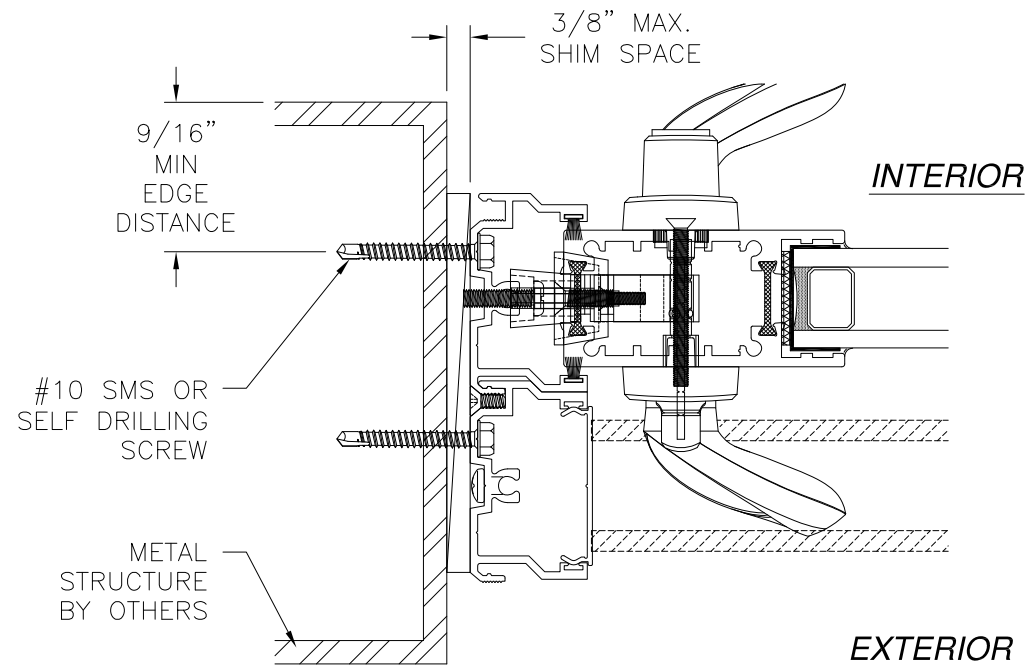
Luis R. Lomas P.E.  
FL No.: 62514

REVISIONS			
REV	DESCRIPTION	DATE	APPROVED



**VERTICAL CROSS SECTION**  
METAL STRUCTURE INSTALLATION

- NOTES:**
1. INTERIOR AND EXTERIOR FINISHES, BY OTHERS, NOT SHOWN FOR CLARITY.
  2. PERIMETER AND JOINT SEALANT BY OTHERS TO BE DESIGNED IN ACCORDANCE WITH ASTM E2112



**JAMB INSTALLATION DETAIL**  
METAL STRUCTURE INSTALLATION

**THERMA-TRU**  
1750 INDIAN WOOD CIRCLE  
MAUMEE, OH 43537

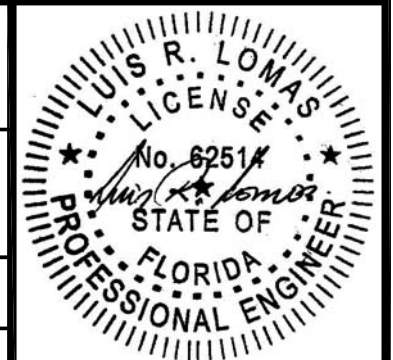
---

SERIES V-2 SLIDING GLASS DOOR  
5x8 PANEL NON-IMPACT  
INSTALLATION DETAILS

DRAWN: R.L.	DWG NO. 08-03871	REV -
SCALE NTS	DATE 11/03/22	SHEET 6 OF 8

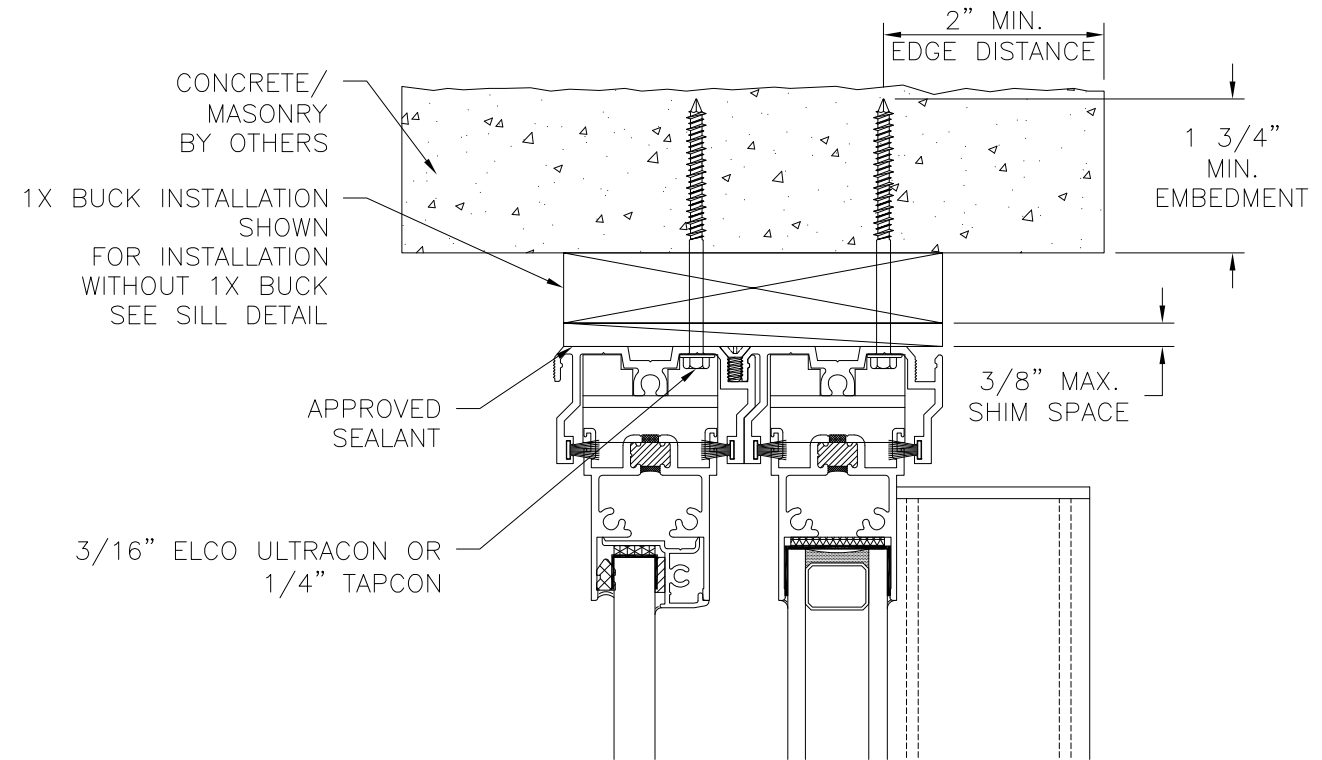
L. ROBERTO LOMAS P.E.  
400 S. PALM AVE, INDIALANTIC, FL 32903  
434-688-0609 rllomas@rlomaspe.com

SIGNED: 12/20/2022

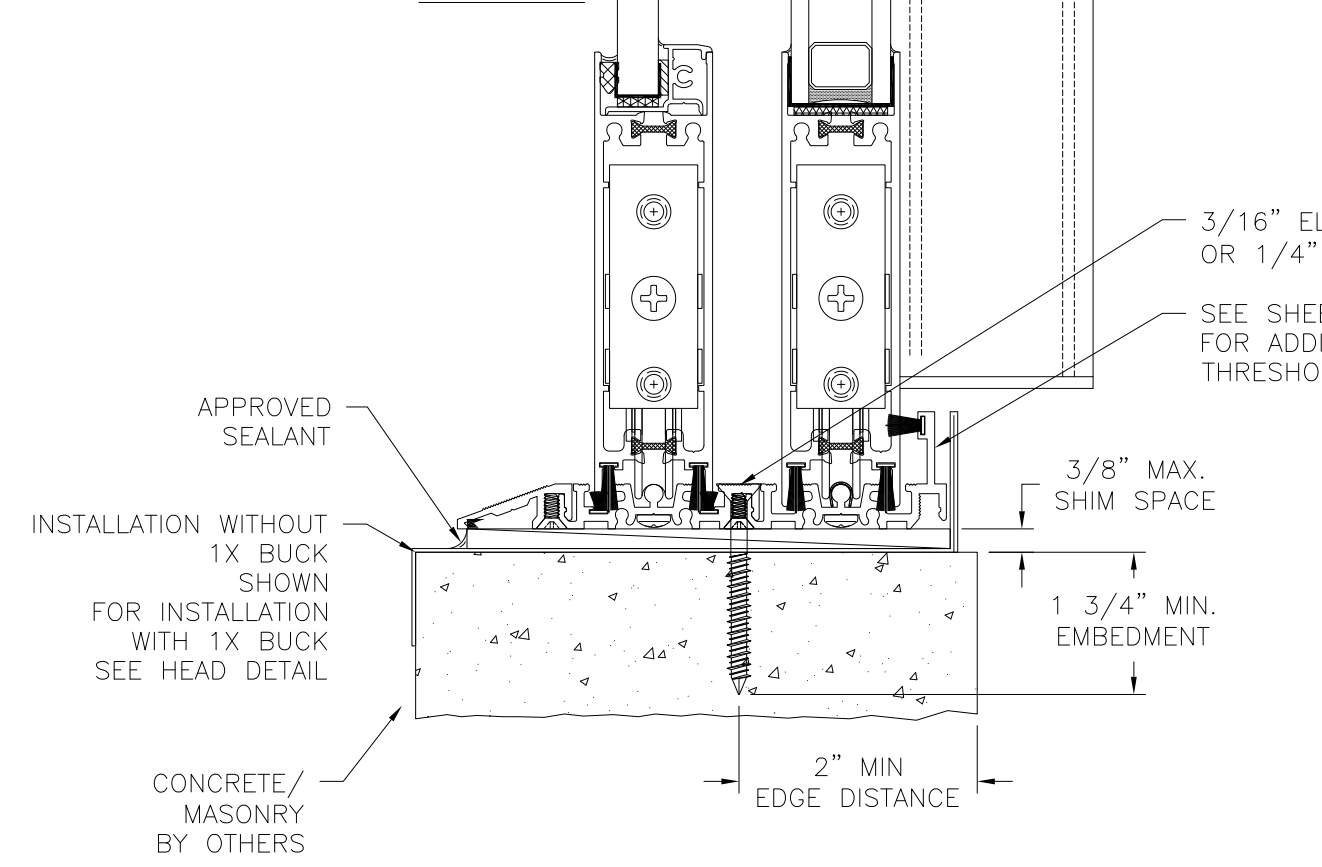


Luis R. Lomas P.E.  
FL No.: 62514

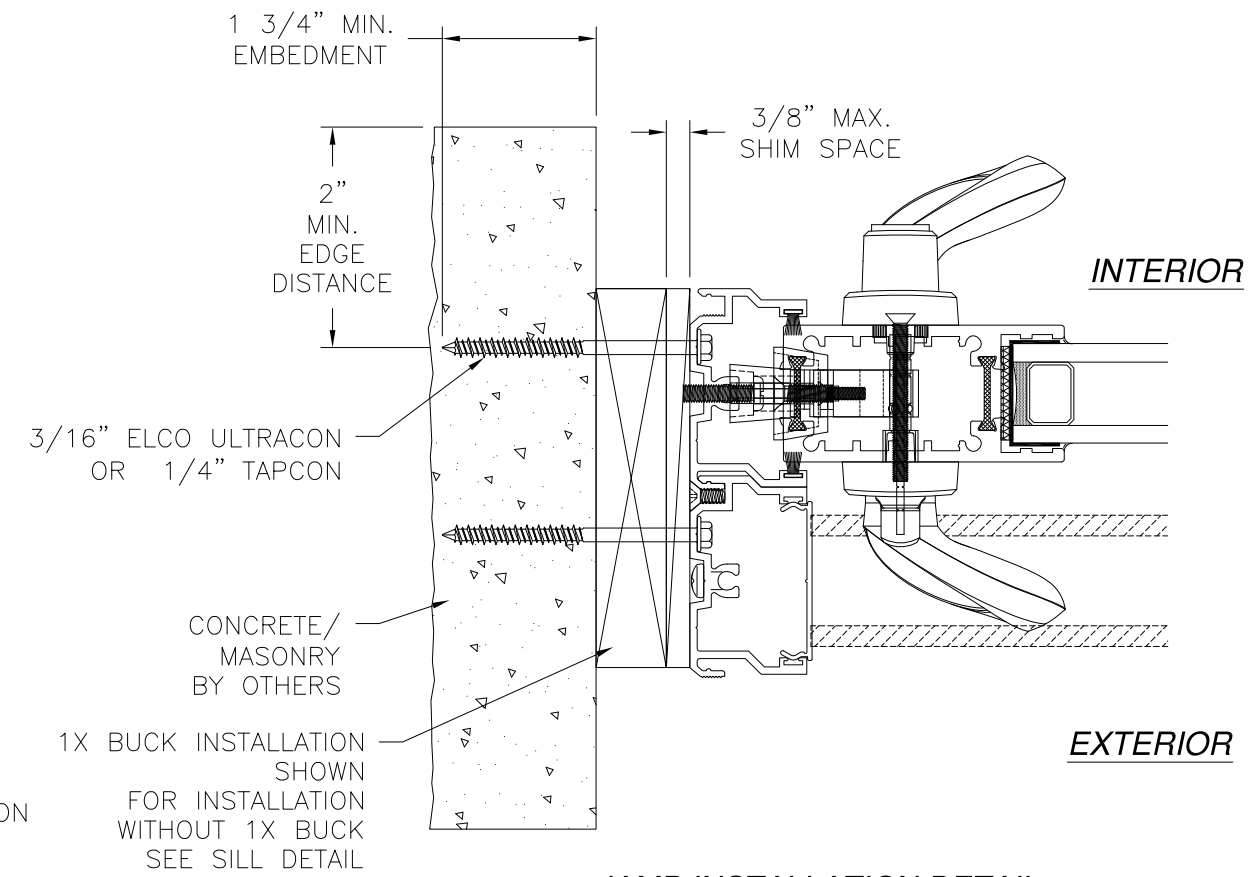
REVISIONS			
REV	DESCRIPTION	DATE	APPROVED



**EXTERIOR** **INTERIOR**



**VERTICAL CROSS SECTION**  
CONCRETE/MASONRY INSTALLATION



**JAMB INSTALLATION DETAIL**  
CONCRETE/MASONRY INSTALLATION

- NOTES:**
1. INTERIOR AND EXTERIOR FINISHES, BY OTHERS, NOT SHOWN FOR CLARITY.
  2. PERIMETER AND JOINT SEALANT BY OTHERS TO BE DESIGNED IN ACCORDANCE WITH ASTM E2112

**THERMA-TRU**  
1750 INDIAN WOOD CIRCLE  
MAUMEE, OH 43537

SERIES V-2 SLIDING GLASS DOOR  
5x8 PANEL NON-IMPACT  
INSTALLATION DETAILS

DRAWN: R.L.	DWG NO. 08-03871	REV -
SCALE NTS	DATE 11/03/22	SHEET 7 OF 8

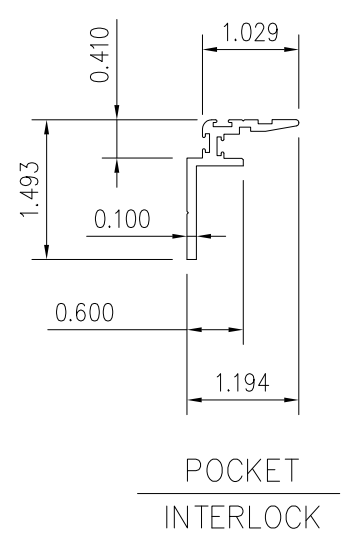
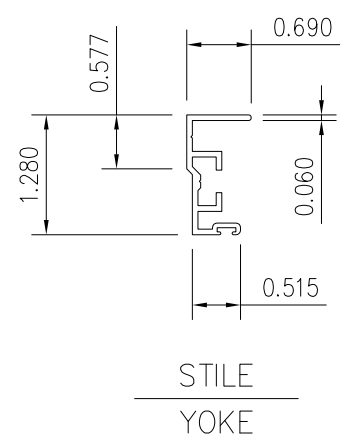
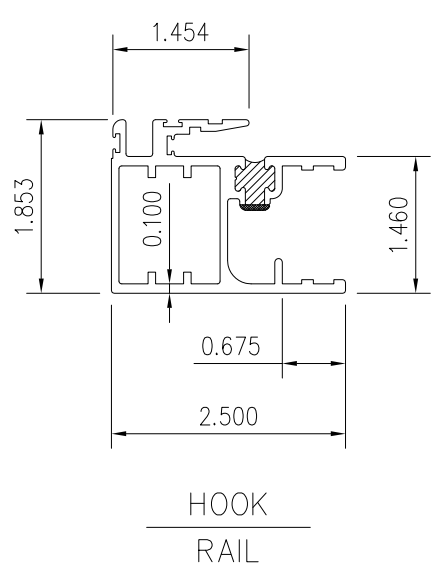
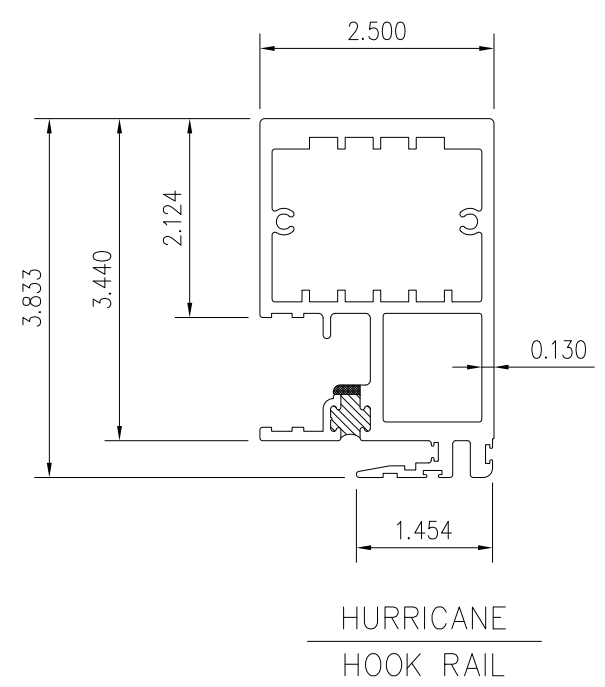
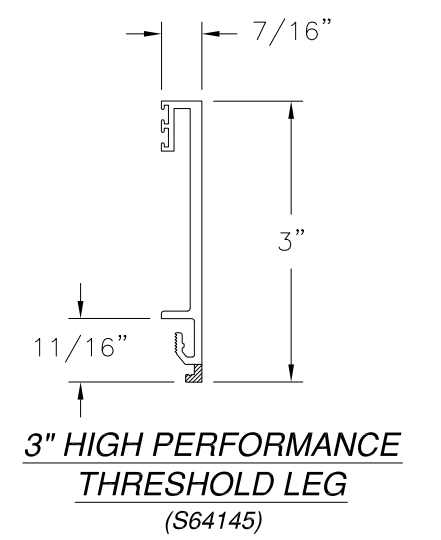
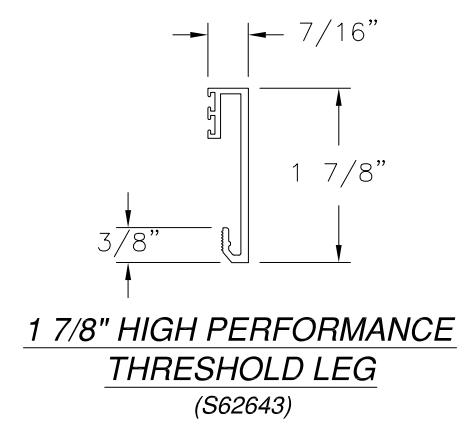
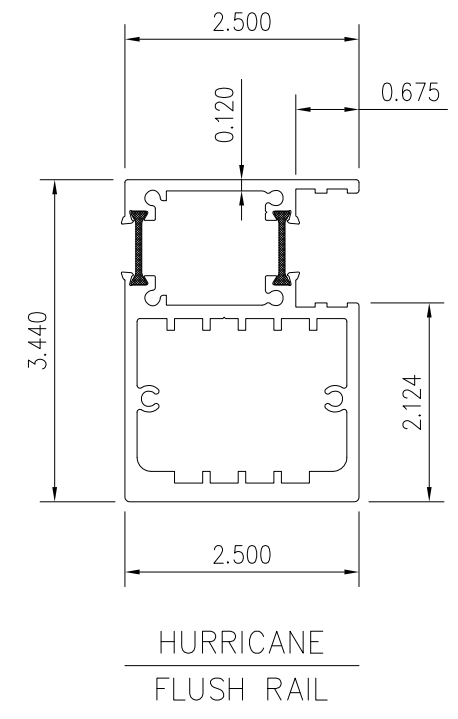
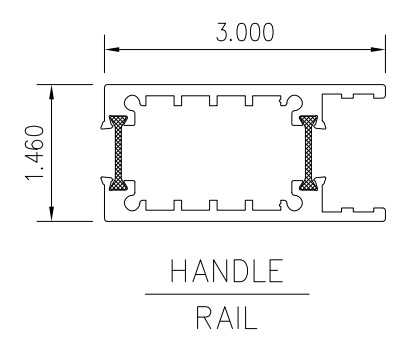
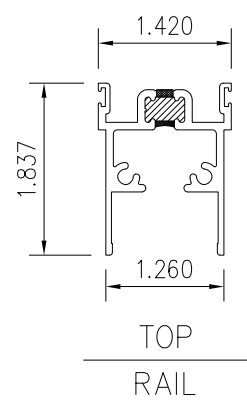
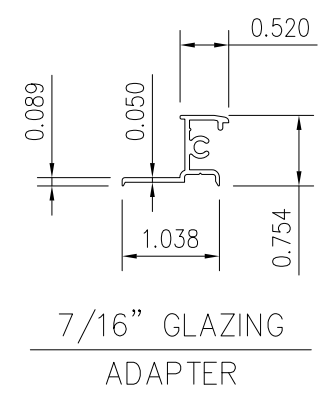
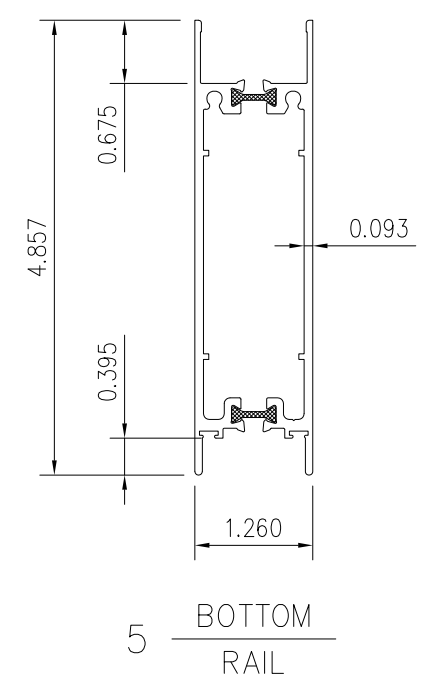
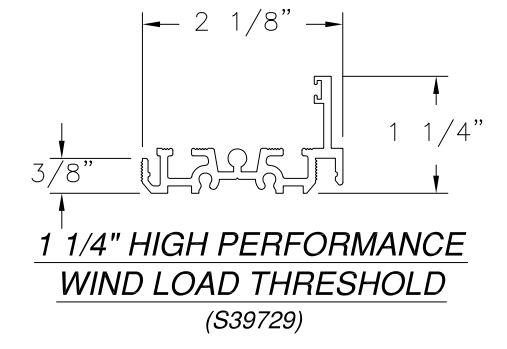
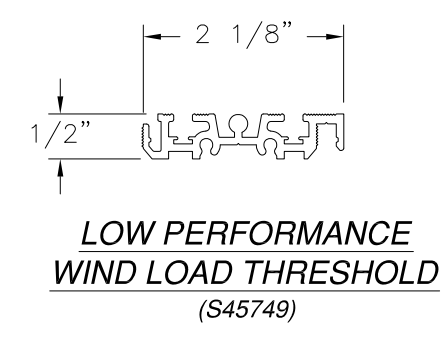
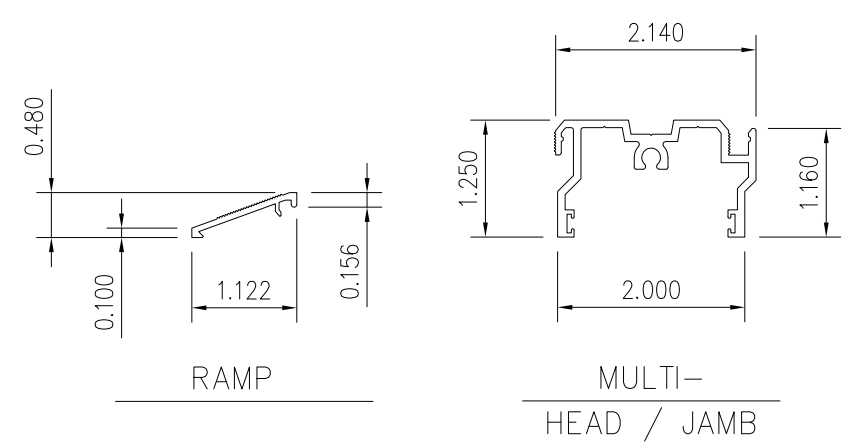
L. ROBERTO LOMAS P.E.  
400 S. PALM AVE, INDIALANTIC, FL 32903  
434-688-0609 rllomas@rlomaspe.com

SIGNED: 12/20/2022



Luis R. Lomas P.E.  
FL No.: 62514

REVISIONS			
REV	DESCRIPTION	DATE	APPROVED



**THERMA-TRU**  
 1750 INDIAN WOOD CIRCLE  
 MAUMEE, OH 43537

SERIES V-2 SLIDING GLASS DOOR  
 5x8 PANEL NON-IMPACT  
 COMPONENTS

DRAWN: R.L.	DWG NO. 08-03871	REV -
SCALE NTS	DATE 11/03/22	SHEET 8 OF 8

L. ROBERTO LOMAS P.E.  
 400 S. PALM AVE, INDIAN LANTIC, FL 32903  
 434-688-0609 rllomas@rlomaspe.com

SIGNED: 12/20/2022

Luis R. Lomas P.E.  
 FL No.: 62514