

| REVISIONS | | | |
|-----------|-------------|------|----------|
| REV | DESCRIPTION | DATE | APPROVED |

NOTES:

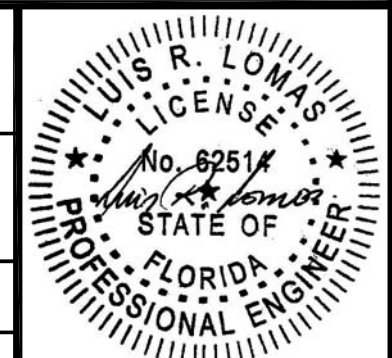
1. THE PRODUCT SHOWN HEREIN IS DESIGNED AND MANUFACTURED TO COMPLY WITH REQUIREMENTS OF THE FLORIDA BUILDING CODE.
2. WOOD FRAMING AND MASONRY OPENING TO BE DESIGNED AND ANCHORED TO PROPERLY TRANSFER ALL LOADS TO STRUCTURE. FRAMING AND MASONRY OPENING IS THE RESPONSIBILITY OF THE ARCHITECT OR ENGINEER OF RECORD.
3. WHERE SHIM OR BUCK THICKNESS IS LESS THAN 1-1/2" UNITS MUST BE ANCHORED THROUGH THE FRAME IN ACCORDANCE WITH MANUFACTURER'S PUBLISHED INSTALLATION INSTRUCTIONS. ANCHORS SHALL BE SECURELY FASTENED DIRECTLY INTO MASONRY, CONCRETE OR OTHER STRUCTURAL SUBSTRATE MATERIAL.
4. WHERE WOOD BUCK THICKNESS IS 1-1/2" OR GREATER, BUCK SHALL BE SECURELY FASTENED TO MASONRY, CONCRETE OR OTHER STRUCTURAL SUBSTRATE. UNITS MAY BE ANCHORED THROUGH FRAME TO SECURED WOOD BUCK IN ACCORDANCE WITH MANUFACTURER'S PUBLISHED INSTALLATION INSTRUCTIONS.
5. WHERE 1X BUCK IS NOT USED DISSIMILAR MATERIALS MUST BE SEPARATED WITH APPROVED COATING OR MEMBRANE. SELECTION OF COATING OR MEMBRANE IS THE RESPONSIBILITY OF THE ARCHITECT OR ENGINEER OF RECORD.
6. BUCKS SHALL EXTEND BEYOND UNIT FRAME INTERIOR FACE SO THAT FULL FRAME SUPPORT IS PROVIDED AND MUST BE PROPERLY ANCHORED TO STRUCTURE.
7. SHIM AS REQUIRED AT EACH ANCHOR LOCATION WITH LOAD BEARING SHIM. SHIM WHERE SPACE OF 1/16" OR GREATER OCCURS. MAXIMUM ALLOWABLE SHIM STACK TO BE 1/4".
8. SHIMS SHALL BE LOCATED, APPLIED AND MADE FROM MATERIALS AND THICKNESS CAPABLE OF SUSTAINING APPLICABLE LOADS.
9. WIND LOAD DURATION FACTOR Cd=1.6 WAS USED FOR WOOD ANCHOR CALCULATIONS.
10. FRAME MATERIAL: EXTRUDED RIGID PVC.
11. UNITS MUST BE GLAZED PER ASTM E1300, SEE SHEET 6 FOR DETAILS.
12. APPROVED IMPACT PROTECTIVE SYSTEM IS NOT REQUIRED FOR THIS PRODUCT IN WIND BORNE DEBRIS REGIONS.

13. FOR ANCHORING INTO WOOD FRAMING OR 2X BUCK USE #10 WOOD SCREWS WITH SUFFICIENT LENGTH TO ACHIEVE A 1 3/8" MINIMUM EMBEDMENT INTO SUBSTRATE. LOCATE ANCHORS AS SHOWN IN ELEVATIONS AND INSTALLATION DETAILS.
14. FOR ANCHORING INTO MASONRY/CONCRETE USE 3/16" TAPCONS WITH SUFFICIENT LENGTH TO ACHIEVE A 1 1/4" MINIMUM EMBEDMENT INTO SUBSTRATE WITH 2" MINIMUM EDGE DISTANCE. LOCATE ANCHORS AS SHOWN IN ELEVATIONS AND INSTALLATION DETAILS.
15. FOR ANCHORING INTO METAL STRUCTURE USE #10 SMS OR SELF DRILLING SCREWS WITH SUFFICIENT LENGTH TO ACHIEVE 3 THREADS MINIMUM BEYOND STRUCTURE INTERIOR WALL. LOCATE ANCHORS AS SHOWN IN ELEVATIONS AND INSTALLATION DETAILS.
16. ALL FASTENERS TO BE CORROSION RESISTANT.
17. INSTALLATION ANCHORS SHALL BE INSTALLED IN ACCORDANCE WITH ANCHOR MANUFACTURER'S INSTALLATION INSTRUCTIONS AND ANCHORS SHALL NOT BE USED IN SUBSTRATES WITH STRENGTHS LESS THAN THE MINIMUM STRENGTH SPECIFIED BELOW:
 - A. WOOD: MINIMUM SPECIFIC GRAVITY OF G=0.42
 - B. CONCRETE: MINIMUM COMPRESSIVE STRENGTH OF 2,000 PSI.
 - C. MASONRY: HOLLOW/FILLED BLOCK PER ASTM C90 WITH Fm=2,000PSI MINIMUM.
 - D. METAL STRUCTURE: STEEL 18GA (.048") FY=33KSI/FU=52KSI OR ALUMINUM 6063-T5 FU=30KSI .048" THICK MINIMUM

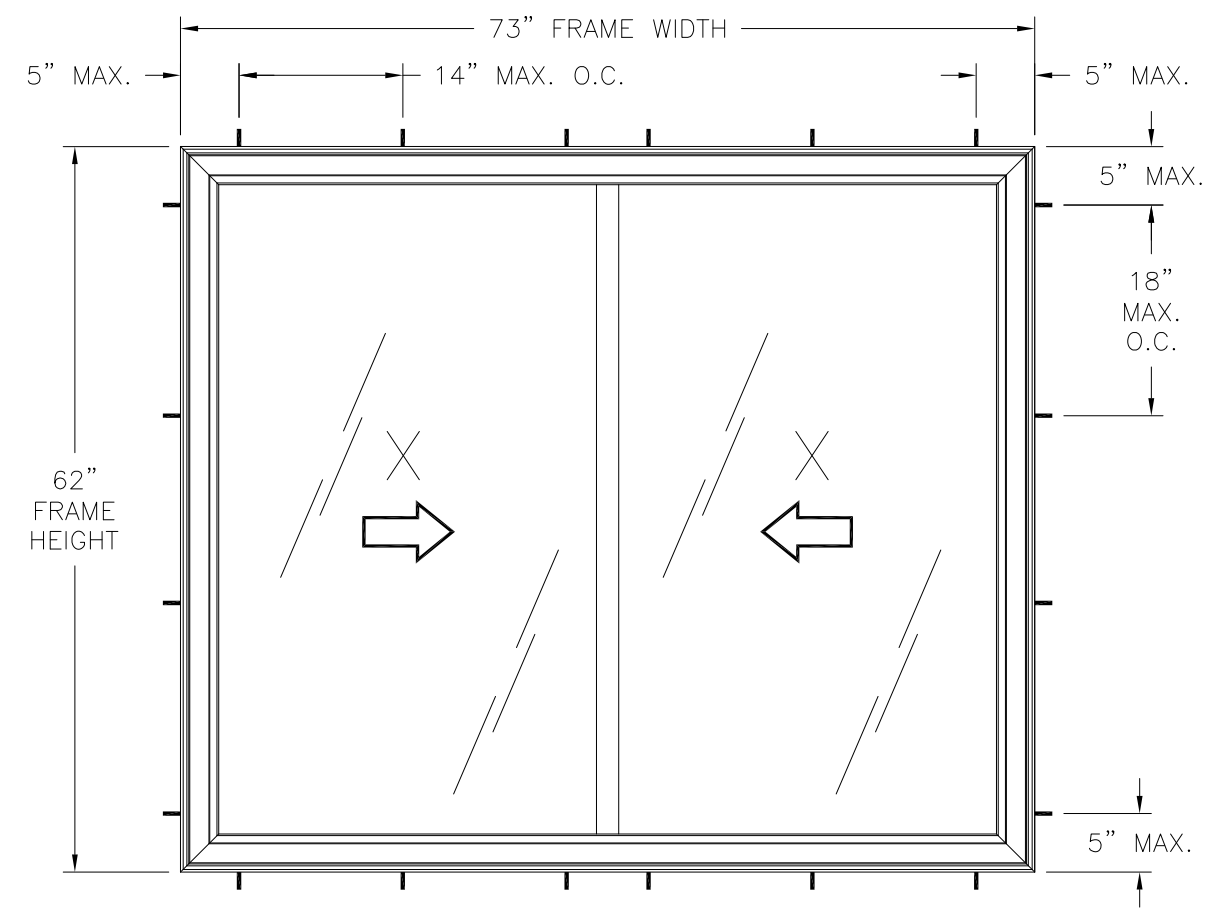
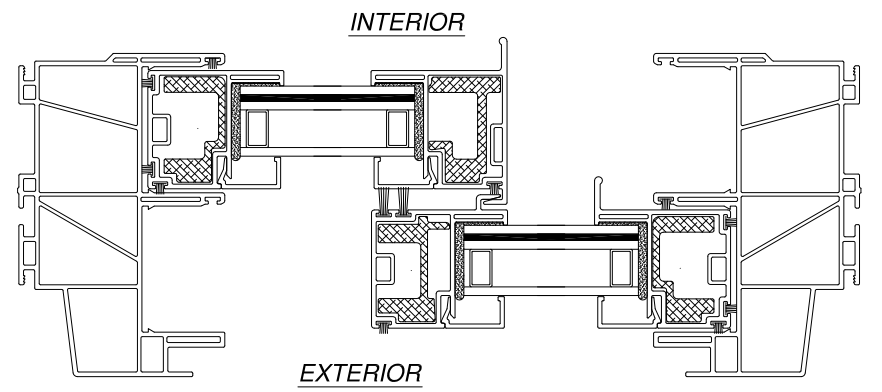
SIGNED: 01/26/2023

| TABLE OF CONTENTS | |
|-------------------|----------------------|
| SHEET NO. | DESCRIPTION |
| 1 | NOTES |
| 2 | ELEVATION |
| 3 - 5 | INSTALLATION DETAILS |
| 6 | COMPONENTS |

| | | |
|---|---------------------|--------------|
| STERGIS WINDOW & DOORS 79 WALTON STREET ATTLEBORO, MA 02703 | | |
| DS93WW PVC HORIZONTAL SLIDING WINDOW TYPE XX IMPACT NOTES | | |
| DRAWN: R.L. | DWG NO. 08-03859 | REV - |
| SCALE NTS | DATE 01/11/23 | SHEET 1 OF 6 |
| L. ROBERTO LOMAS P.E. 400 S. PALM AVE, INDIALANTIC, FL 32903 434-688-0609 rllomas@lrlomaspe.com | | |



Luis R. Lomas P.E.
FL No.: 62514



DS93WW PVC HORIZONTAL SLIDING WINDOW WINDOW
EXTERIOR VIEW

| DESIGN PRESSURE RATING | IMPACT RATING |
|------------------------|---------------|
| ±65.0PSF | NONE |

73" x 62" UNIT SHOWN. OTHER SIZES APPROVED AS LONG AS FRAME AREA DOES NOT EXCEED 31.4 FT²

HARDWARE SCHEDULE

| | |
|----|---|
| A. | (2) METAL CAM LOCK AND KEEPER AT LOCK STILE 9 1/2" FROM EACH END |
| B. | (4) DUAL METAL ROLLERS AT BOTTOM RAILS, ONE AT EACH END |
| C. | (2 SETS) 6" ALUMINUM IMPACT ADAPTERS AT SASH HEAD TOP RAIL 6" FROM EACH SIDE AND AT MIDSPAN |
| D. | ALUMINUM REINFORCEMENT (SE9346B AOM) AT LOCK STILE |
| E. | ALUMINUM REINFORCEMENT (SE9344 AOM) AT EXTERIOR MEETING STILE |
| F. | ALUMINUM REINFORCEMENT (SE9345 AOM) AT JAMB STILES |
| G. | ALUMINUM REINFORCEMENT (SD01 AOM) AT TOP RAILS |

| REVISIONS | | | |
|-----------|-------------|------|----------|
| REV | DESCRIPTION | DATE | APPROVED |
| | | | |

- NOTES:**
- SASH SIZE: 35 3/4" X 57"
 - D.L.O.: 31 3/4" X 53 3/4"

STERGIS WINDOW & DOORS
79 WALTON STREET
ATTLEBORO, MA 02703

DS93WW PVC HORIZONTAL SLIDING WINDOW
TYPE XX IMPACT
ELEVATION

| | | |
|----------------|---------------------|--------------|
| DRAWN: R.L. | DWG NO. 08-03859 | REV - |
| SCALE NTS | DATE 01/11/23 | SHEET 2 OF 6 |

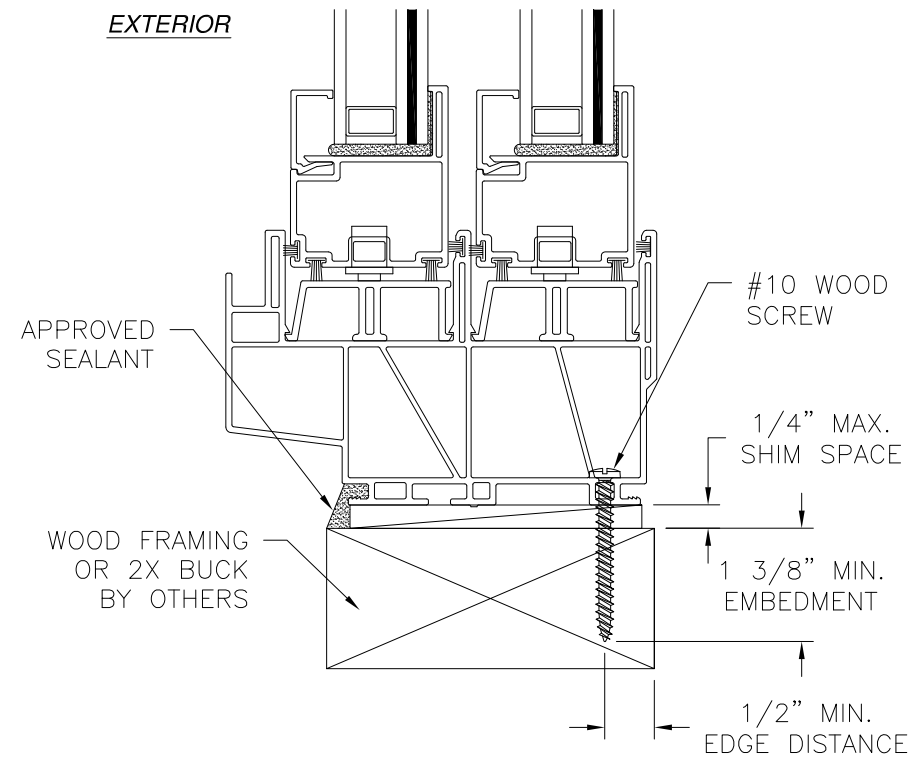
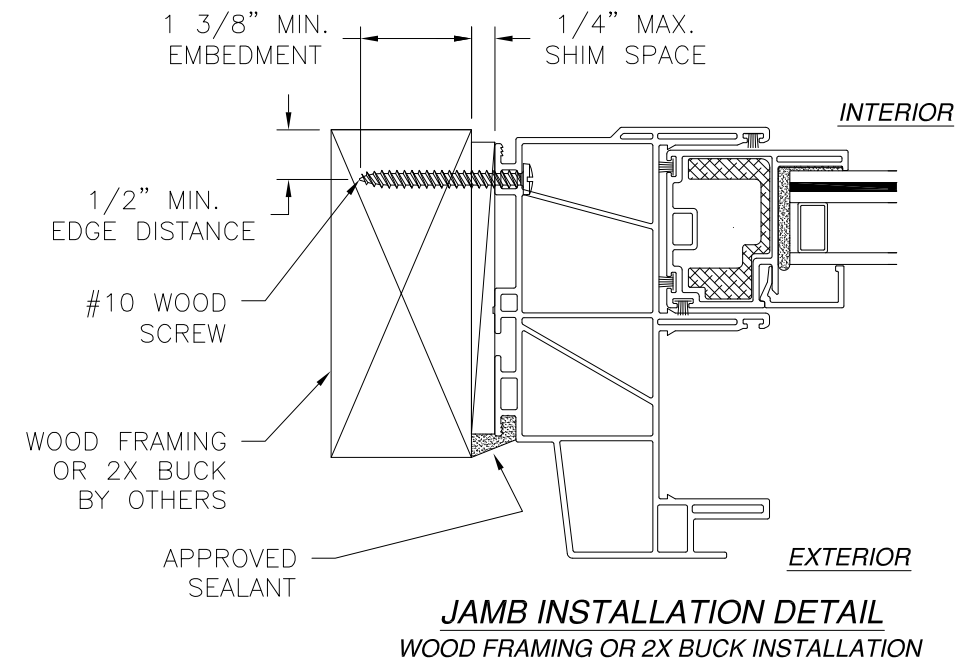
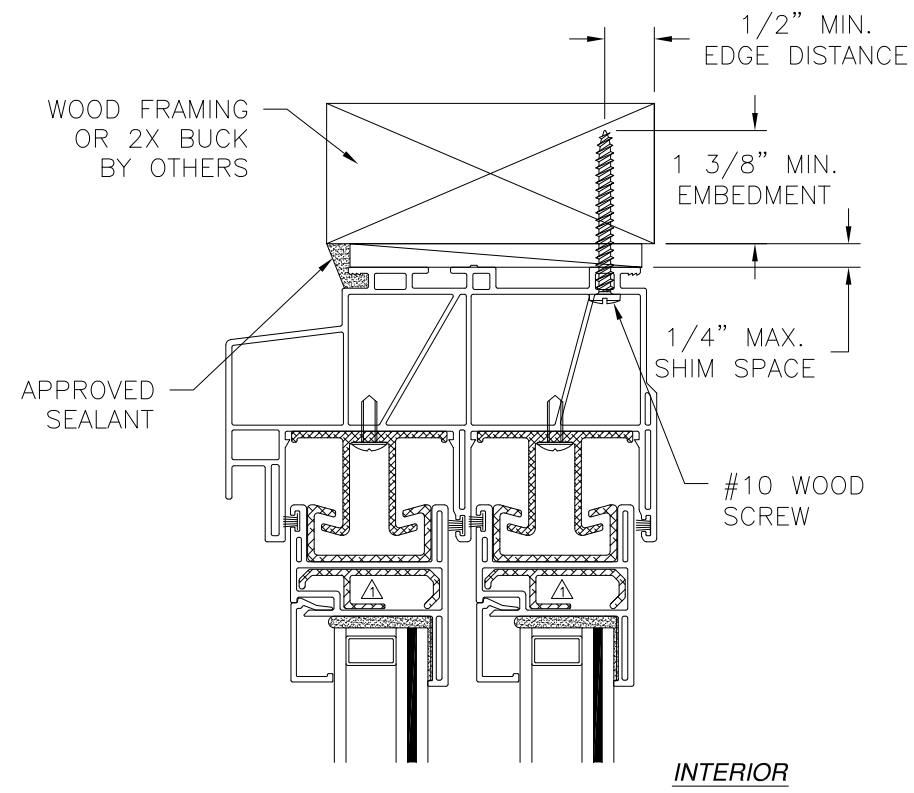
L. ROBERTO LOMAS P.E.
400 S. PALM AVE, INDIALANTIC, FL 32903
434-688-0609 rllomas@rlomaspe.com

SIGNED: 01/26/2023



Luis R. Lomas P.E.
FL No.: 62514

| REVISIONS | | | |
|-----------|-------------|------|----------|
| REV | DESCRIPTION | DATE | APPROVED |
| | | | |



VERTICAL CROSS SECTION
WOOD FRAMING OR 2X BUCK INSTALLATION

NOTES:
 1. INTERIOR AND EXTERIOR FINISHES, BY OTHERS, NOT SHOWN FOR CLARITY.
 2. PERIMETER AND JOINT SEALANT BY OTHERS TO BE DESIGNED IN ACCORDANCE WITH ASTM E2112

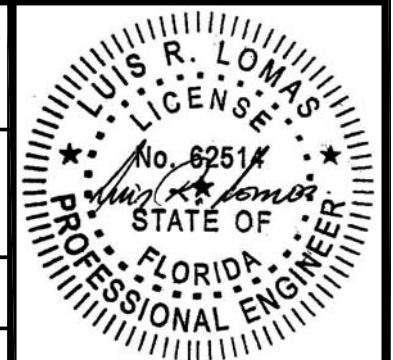
STERGIS WINDOW & DOORS
 79 WALTON STREET
 ATTLEBORO, MA 02703

DS93WW PVC HORIZONTAL SLIDING WINDOW
 TYPE XX IMPACT
 FRAME INSTALLATION DETAILS

| | | |
|----------------|---------------------|-----------------|
| DRAWN: R.L. | DWG NO. 08-03859 | REV - |
| SCALE NTS | DATE 01/11/23 | SHEET 3 OF 6 |

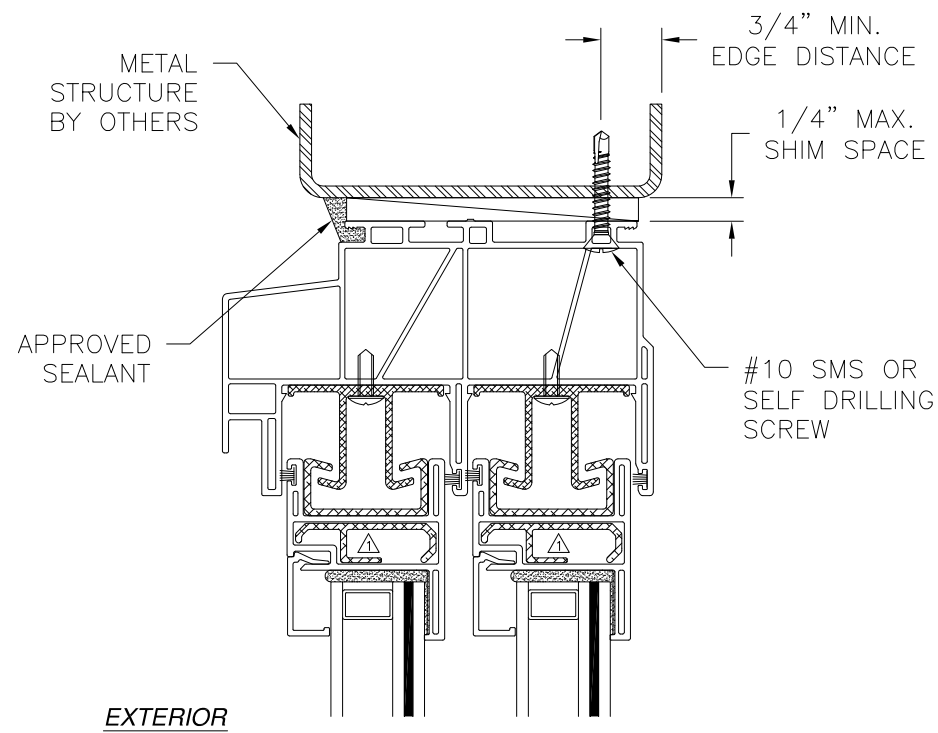
L. ROBERTO LOMAS P.E.
 400 S. PALM AVE, INDIALANTIC, FL 32903
 434-688-0609 rllomas@rlomaspe.com

SIGNED: 01/26/2023

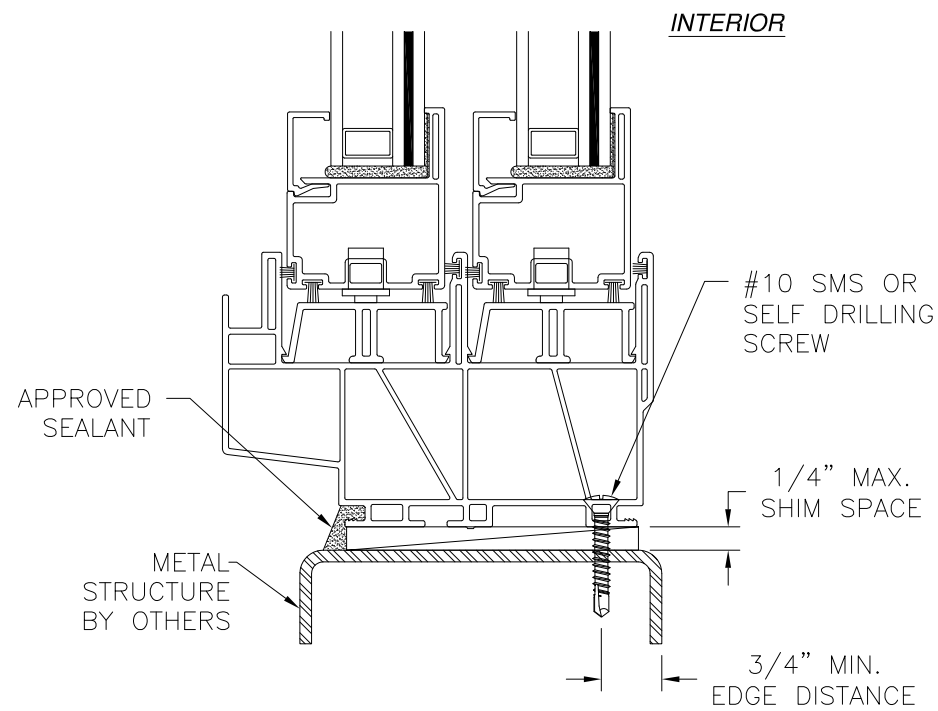


Luis R. Lomas P.E.
 FL No.: 62514

| REVISIONS | | | |
|-----------|-------------|------|----------|
| REV | DESCRIPTION | DATE | APPROVED |
| | | | |

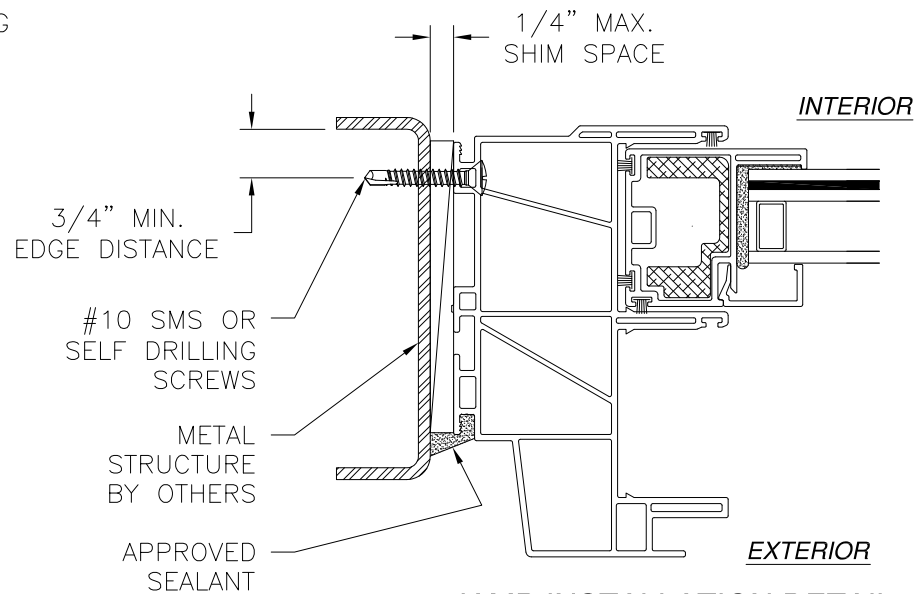


EXTERIOR



INTERIOR

VERTICAL CROSS SECTION
METAL STRUCTURE INSTALLATION

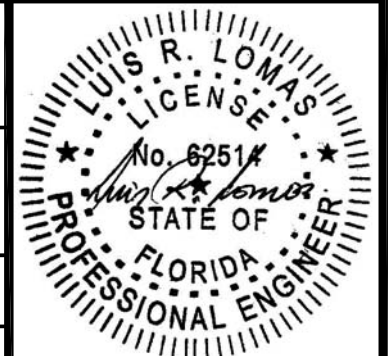


JAMB INSTALLATION DETAIL
METAL STRUCTURE INSTALLATION

- NOTES:
 1. INTERIOR AND EXTERIOR FINISHES, BY OTHERS, NOT SHOWN FOR CLARITY.
 2. PERIMETER AND JOINT SEALANT BY OTHERS TO BE DESIGNED IN ACCORDANCE WITH ASTM E2112

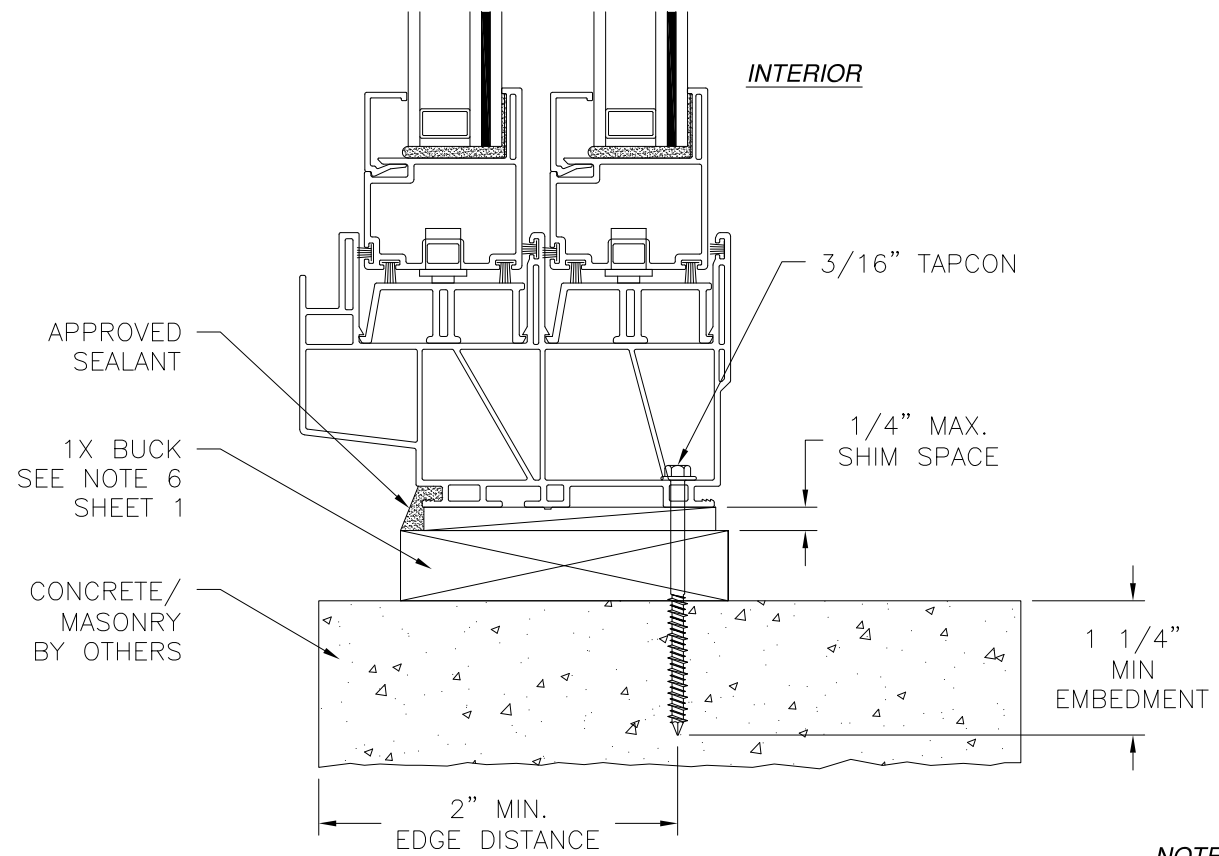
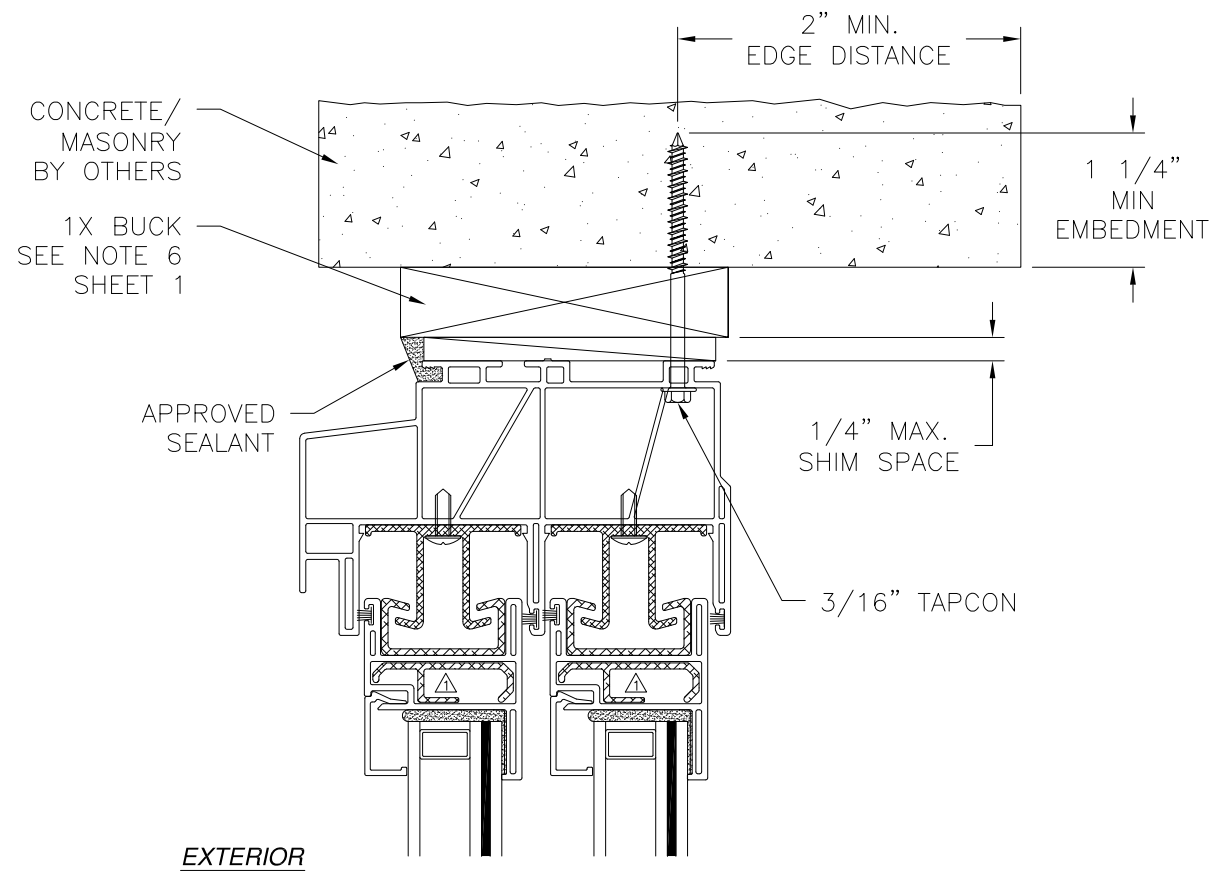
| | | |
|--|---------------------|-----------------|
| STERGIS WINDOW & DOORS 79 WALTON STREET ATTLEBORO, MA 02703 | | |
| DS93WW PVC HORIZONTAL SLIDING WINDOW TYPE XX IMPACT FRAME INSTALLATION DETAILS | | |
| DRAWN: R.L. | DWG NO. 08-03859 | REV - |
| SCALE NTS | DATE 01/11/23 | SHEET 4 OF 6 |
| L. ROBERTO LOMAS P.E. 400 S. PALM AVE, INDIALANTIC, FL 32903 434-688-0609 rllomas@rlomaspe.com | | |

SIGNED: 01/26/2023

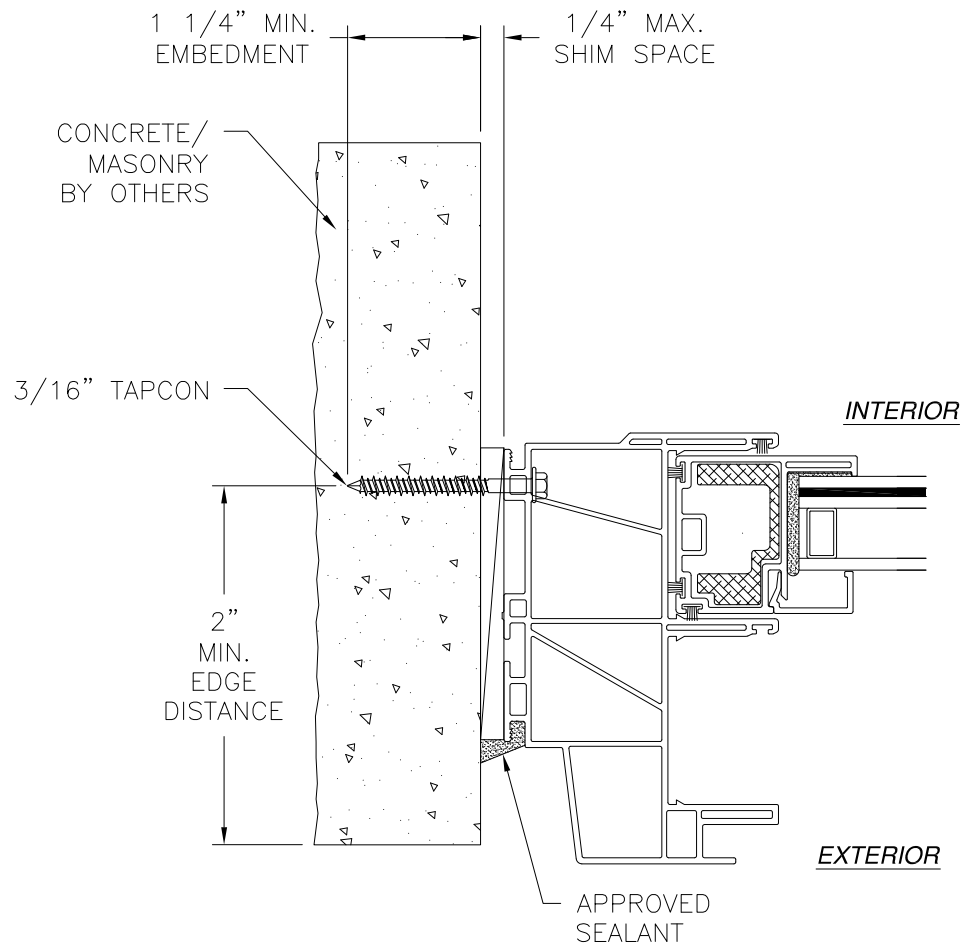


Luis R. Lomas P.E.
FL No.: 62514

| REVISIONS | | | |
|-----------|-------------|------|----------|
| REV | DESCRIPTION | DATE | APPROVED |
| | | | |



VERTICAL CROSS SECTION
 CONCRETE/MASONRY WITH 1X BUCK INSTALLATION
 FOR CONCRETE/MASONRY WITHOUT 1X BUCK REFER TO
 JAMB INSTALLATION DETAIL



JAMB INSTALLATION DETAIL
 CONCRETE/MASONRY WITHOUT 1X BUCK INSTALLATION
 FOR CONCRETE/MASONRY INSTALLATION WITH 1X BUCK REFER TO
 HEAD AND SILL INSTALLATION DETAILS

- NOTES:**
1. INTERIOR AND EXTERIOR FINISHES, BY OTHERS, NOT SHOWN FOR CLARITY.
 2. PERIMETER AND JOINT SEALANT BY OTHERS TO BE DESIGNED IN ACCORDANCE WITH ASTM E2112

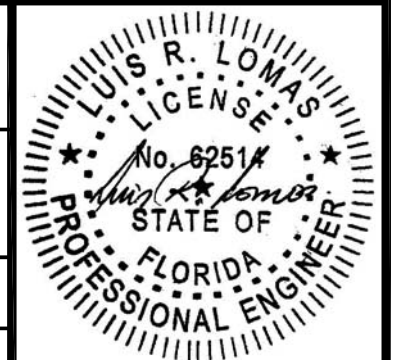
STERGIS WINDOW & DOORS
 79 WALTON STREET
 ATTLEBORO, MA 02703

DS93WW PVC HORIZONTAL SLIDING WINDOW
 TYPE XX IMPACT
 FRAME INSTALLATION DETAILS

| | | |
|----------------|---------------------|-----------------|
| DRAWN: R.L. | DWG NO. 08-03859 | REV - |
| SCALE NTS | DATE 01/11/23 | SHEET 5 OF 6 |

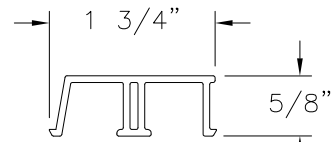
L. ROBERTO LOMAS P.E.
 400 S. PALM AVE, INDIALANTIC, FL 32903
 434-688-0609 rllomas@rlomaspe.com

SIGNED: 01/26/2023

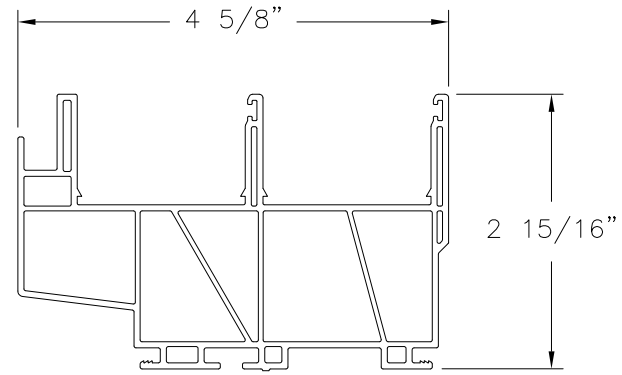


Luis R. Lomas P.E.
 FL No.: 62514

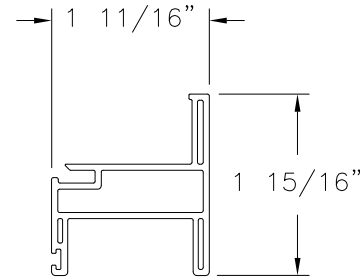
| REVISIONS | | | |
|-----------|-------------|------|----------|
| REV | DESCRIPTION | DATE | APPROVED |
| | | | |



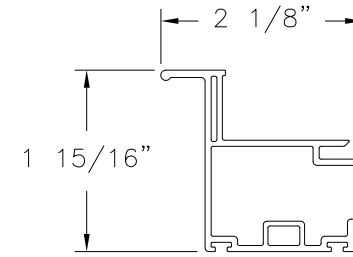
ROLLER TRACK (DS9308)
VINYL PVC .070" THICK



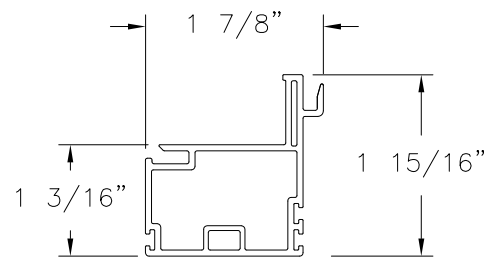
FRAME (DS9301)
VINYL PVC .065" THICK



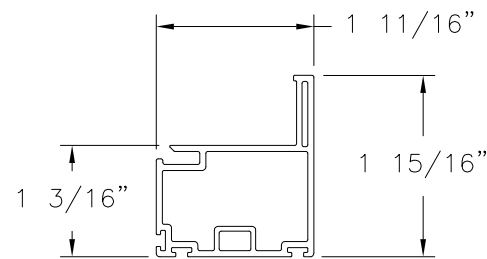
SASH TOP (SE9341)
VINYL PVC .065" THICK



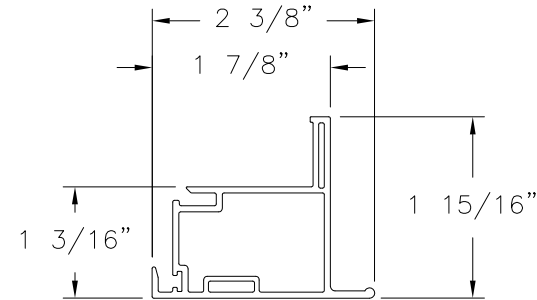
RAIL (SE9345)
VINYL PVC .065" THICK



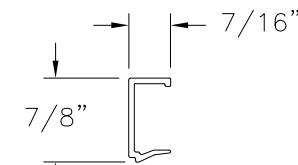
MEETING RAIL (SE9344)
VINYL PVC .065" THICK



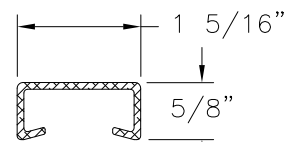
COMMON SASH (SE9345)
VINYL PVC .065" THICK



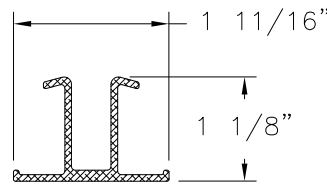
LIFT RAIL (SE9346)
VINYL PVC .065" THICK



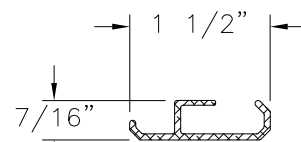
3/4" GLAZING BEAD (BV137)
VINYL PVC .059" THICK



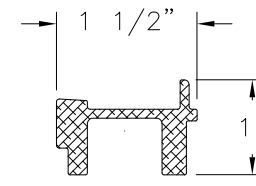
REINFORCING (ACASE9341)
ALUMINUM 6063-T6 .07" THICK



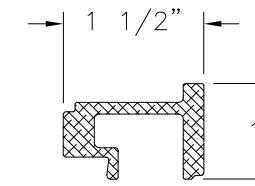
REINFORCING (ACADS9301)
ALUMINUM 6063-T6 .07" THICK



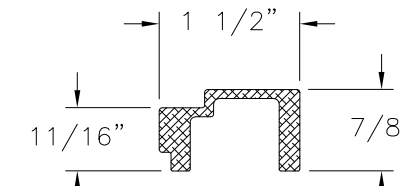
REINFORCING (SE9341)
ALUMINUM 6063-T6 .065" THICK



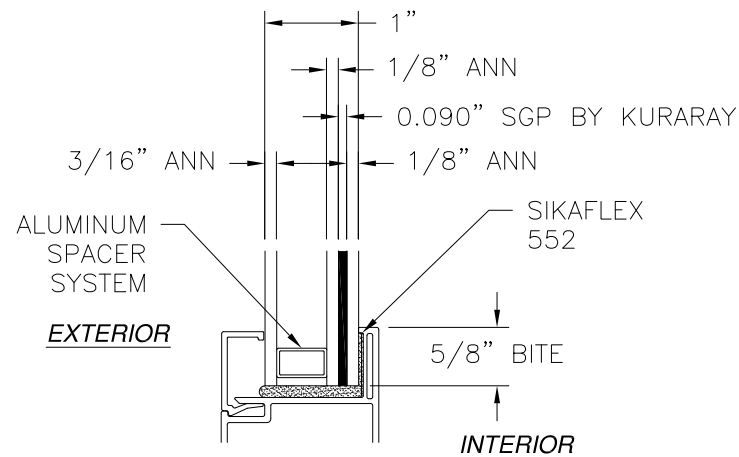
REINFORCING (SE9344)
ALUMINUM 6063-T6 .09" THICK



REINFORCING (SE9346B)
ALUMINUM 6063-T6 .09" THICK



REINFORCING (SE9345)
ALUMINUM 6063-T5 .095" THICK



GLAZING DETAIL

SIGNED: 01/26/2023

STERGIS WINDOW & DOORS

79 WALTON STREET
ATTLEBORO, MA 02703

DS93WW PVC HORIZONTAL SLIDING WINDOW
TYPE XX IMPACT
COMPONENTS

| | | |
|----------------|---------------------|-----------------|
| DRAWN: R.L. | DWG NO. 08-03859 | REV - |
| SCALE NTS | DATE 01/11/23 | SHEET 6 OF 6 |

L. ROBERTO LOMAS P.E.
400 S. PALM AVE, INDIALANTIC, FL 32903
434-688-0609 rllomas@rlomaspe.com



Luis R. Lomas P.E.
FL No.: 62514