

REVISIONS			
REV	DESCRIPTION	DATE	APPROVED

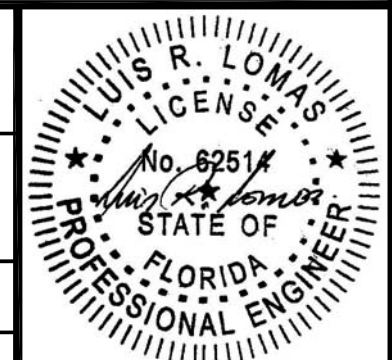
NOTES:

1. THE PRODUCT SHOWN HEREIN IS DESIGNED AND MANUFACTURED TO COMPLY WITH REQUIREMENTS OF THE FLORIDA BUILDING CODE INCLUDING THE HVHZ.
2. WOOD FRAMING AND MASONRY OPENING TO BE DESIGNED AND ANCHORED TO PROPERLY TRANSFER ALL LOADS TO STRUCTURE. FRAMING AND MASONRY OPENING IS THE RESPONSIBILITY OF THE ARCHITECT OR ENGINEER OF RECORD.
3. WHERE SHIM OR BUCK THICKNESS IS LESS THAN 1-1/2" WINDOW UNITS MUST BE ANCHORED THROUGH THE FRAME IN ACCORDANCE WITH MANUFACTURER'S PUBLISHED INSTALLATION INSTRUCTIONS. ANCHORS SHALL BE SECURELY FASTENED DIRECTLY INTO MASONRY, CONCRETE OR OTHER STRUCTURAL SUBSTRATE MATERIAL.
4. WHERE WOOD BUCK THICKNESS IS 1-1/2" OR GREATER, BUCK SHALL BE SECURELY FASTENED TO MASONRY, CONCRETE OR OTHER STRUCTURAL SUBSTRATE. WINDOW UNITS MAY BE ANCHORED THROUGH FRAME TO SECURED WOOD BUCK IN ACCORDANCE WITH MANUFACTURER'S PUBLISHED INSTALLATION INSTRUCTIONS.
5. WHERE 1X BUCK IS NOT USED DISSIMILAR MATERIALS MUST BE SEPARATED WITH APPROVED COATING OR MEMBRANE. SELECTION OF COATING OR MEMBRANE IS THE RESPONSIBILITY OF THE ARCHITECT OR ENGINEER OF RECORD.
6. BUCKS SHALL EXTEND BEYOND WINDOW INTERIOR FACE SO THAT FULL FRAME SUPPORT IS PROVIDED.
7. FOR FIN INSTALLATION SHIM AS NEEDED. FOR FRAME INSTALLATION SHIM AS REQUIRED AT EACH ANCHOR LOCATION WITH LOAD BEARING SHIM. SHIM WHERE SPACE OF 1/16" OR GREATER OCCURS. MAXIMUM ALLOWABLE SHIM STACK TO BE 1/4".
8. SHIMS SHALL BE LOCATED, APPLIED AND MADE FROM MATERIALS AND THICKNESS CAPABLE OF SUSTAINING APPLICABLE LOADS.
9. WIND LOAD DURATION FACTOR Cd=1.6 WAS USED FOR WOOD ANCHOR CALCULATIONS.
10. FRAME MATERIAL: EXTRUDED RIGID PVC.
11. UNITS MUST BE GLAZED PER ASTM E1300, SEE SHEET 2 FOR GLASS DETAILS.
12. APPROVED IMPACT PROTECTIVE SYSTEM IS NOT REQUIRED FOR THIS PRODUCT IN WIND BORNE DEBRIS REGIONS.
13. FOR ANCHORING THROUGH FIN INTO WOOD FRAMING OR 2X BUCK USE #10 WOOD SCREWS WITH SUFFICIENT LENGTH TO ACHIEVE A 1 1/4" MINIMUM EMBEDMENT INTO SUBSTRATE. LOCATE ANCHORS AS SHOWN IN ELEVATIONS AND INSTALLATION DETAILS.
14. FOR ANCHORING THROUGH FRAME INTO WOOD FRAMING OR 2X BUCK USE #12 WOOD SCREWS WITH SUFFICIENT LENGTH TO ACHIEVE A 1 3/8" MINIMUM EMBEDMENT INTO SUBSTRATE. LOCATE ANCHORS AS SHOWN IN ELEVATIONS AND INSTALLATION DETAILS.
15. FOR ANCHORING THROUGH FRAME INTO MASONRY/CONCRETE USE 1/4" TAPCONS WITH SUFFICIENT LENGTH TO ACHIEVE A 1 1/4" MINIMUM EMBEDMENT INTO SUBSTRATE WITH 2" MINIMUM EDGE DISTANCE. LOCATE ANCHORS AS SHOWN IN ELEVATIONS AND INSTALLATION DETAILS.
16. FOR ANCHORING THROUGH FRAME INTO METAL STRUCTURE USE #12 SMS OR SELF DRILLING SCREWS WITH SUFFICIENT LENGTH TO ACHIEVE 3 THREADS MINIMUM BEYOND STRUCTURE INTERIOR WALL. LOCATE ANCHORS AS SHOWN IN ELEVATIONS AND INSTALLATION DETAILS.
17. ALL FASTENERS TO BE CORROSION RESISTANT.
18. INSTALLATION ANCHORS SHALL BE INSTALLED IN ACCORDANCE WITH ANCHOR MANUFACTURER'S INSTALLATION INSTRUCTIONS AND ANCHORS SHALL NOT BE USED IN SUBSTRATES WITH STRENGTHS LESS THAN THE MINIMUM STRENGTH SPECIFIED BELOW:
 - A. WOOD: MINIMUM SPECIFIC GRAVITY OF G=0.42
 - B. CONCRETE: MINIMUM COMPRESSIVE STRENGTH OF 2,000 PSI.
 - C. MASONRY: HOLLOW/FILLED BLOCK PER ASTM C90 WITH f'm=2,000PSI MINIMUM.
 - D. METAL STRUCTURE: STEEL 18GA (.048") FY=33KSI/FU=52KSI OR ALUMINUM 6063-T5 FU=30KSI 1/8" THICK MINIMUM
19. APPROVED CONFIGURATIONS: OX AND XO.

SIGNED: 03/08/2023

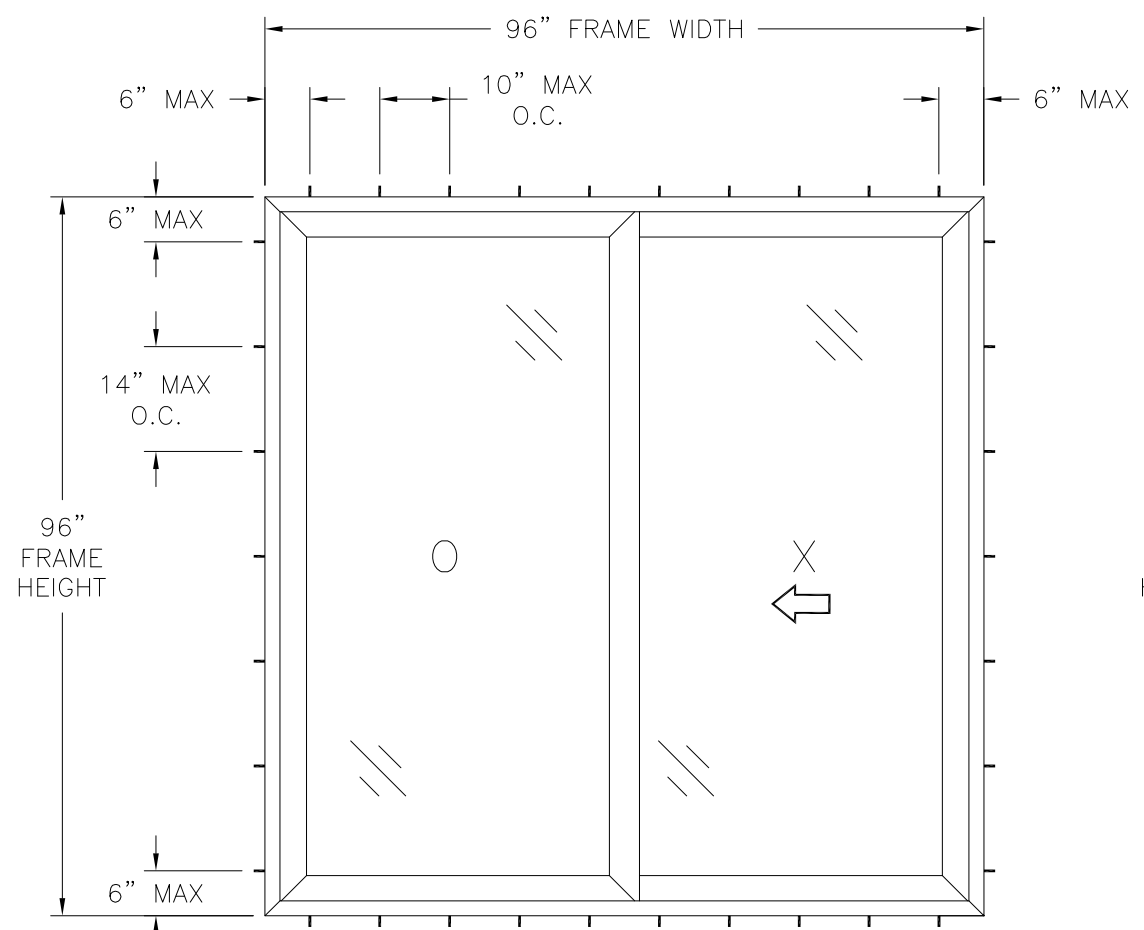
TABLE OF CONTENTS	
SHEET NO.	DESCRIPTION
1	NOTES
2	ELEVATIONS AND GLAZING DETAIL
3 - 6	INSTALLATION DETAILS
7	COMPONENTS

STERGIS WINDOWS AND DOORS 79 WALTON STREET ATTLEBORO, MA 02703		
1100 SLIDING GLASS DOOR IMPACT - HVHZ NOTES		
DRAWN: A.R.	DWG NO. 08-03896	REV -
SCALE NTS	DATE 03/08/2023	SHEET 1 OF 7
L. ROBERTO LOMAS P.E. 400 S. PALM AVE, INDIALANTIC, FL 32903 434-688-0609 rllomas@rlomaspe.com		

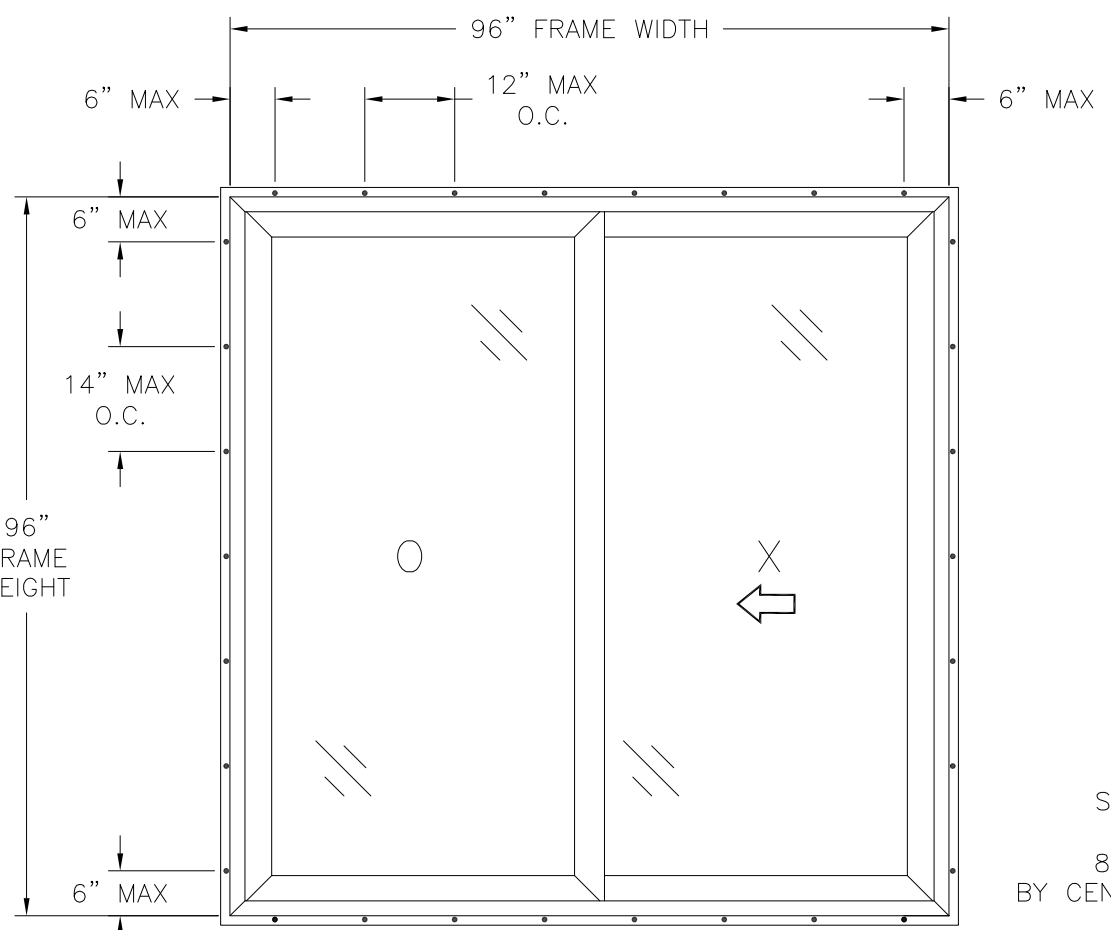


Luis R. Lomas P.E.
FL No.: 62514

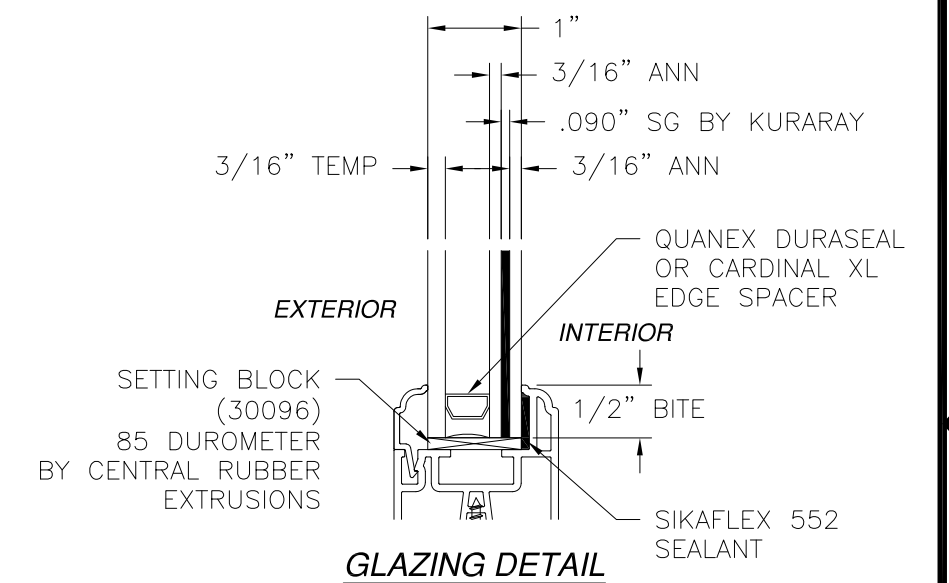
REVISIONS			
REV	DESCRIPTION	DATE	APPROVED



1100 SGD
EXTERIOR VIEW
FRAME INSTALLATION



1100 SGD
EXTERIOR VIEW
FIN INSTALLATION



GLAZING DETAIL

DESIGN PRESSURE RATING	IMPACT RATING
±65.0PSF	LARGE AND SMALL MISSILE IMPACT

MISSILE LEVEL D, WIND ZONE 4 AND HVHZ
WITH SILL EXTENDER
96" X 96" UNIT SHOWN. OTHER SIZES APPROVED AS LONG AS
FRAME AREA DOES NOT EXCEED 64.0 FT²

- NOTES:
1. PANEL SIZE: 48 1/2" X 93 1/2"
2. D.L.O.: 40 3/4" X 85"

HARDWARE SCHEDULE	
A.	GEMINI II LOCK W/2450 TRIMPLATE AT ACTIVE PANEL LOCK RAIL
B.	GEMINI 1" TALL KEEPER AT MAIN FRAME INTERIOR JAMB TRACK
C.	ADJUSTABLE ROLLER AT EACH END OF ACTIVE PANEL
D.	ALUMINIUM REINFORCEMENT (10300151) AT PANEL INTERLOCK STILES AND RAILS
E.	ALUMINIUM REINFORCEMENT (10300150) AT PANEL STILES
F.	ALUMINIUM TUBE REINFORCEMENT AT INTERLOCK STILES

STERGIS WINDOWS AND DOORS
79 WALTON STREET
ATTLEBORO, MA 02703

1100 SLIDING GLASS DOOR
IMPACT - HVHZ
ELEVATIONS AND GLAZING DETAIL

DRAWN: A.R.	DWG NO. 08-03896	REV -
SCALE NTS	DATE 03/08/2023	SHEET 2 OF 7

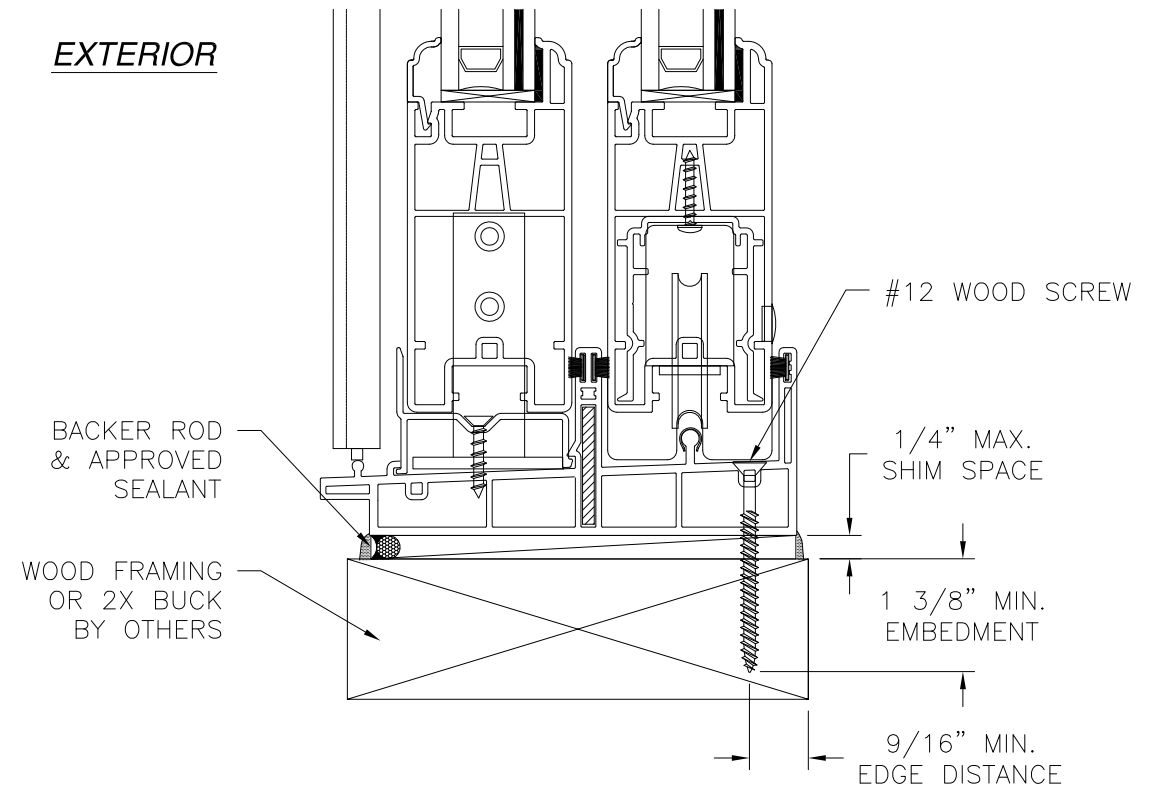
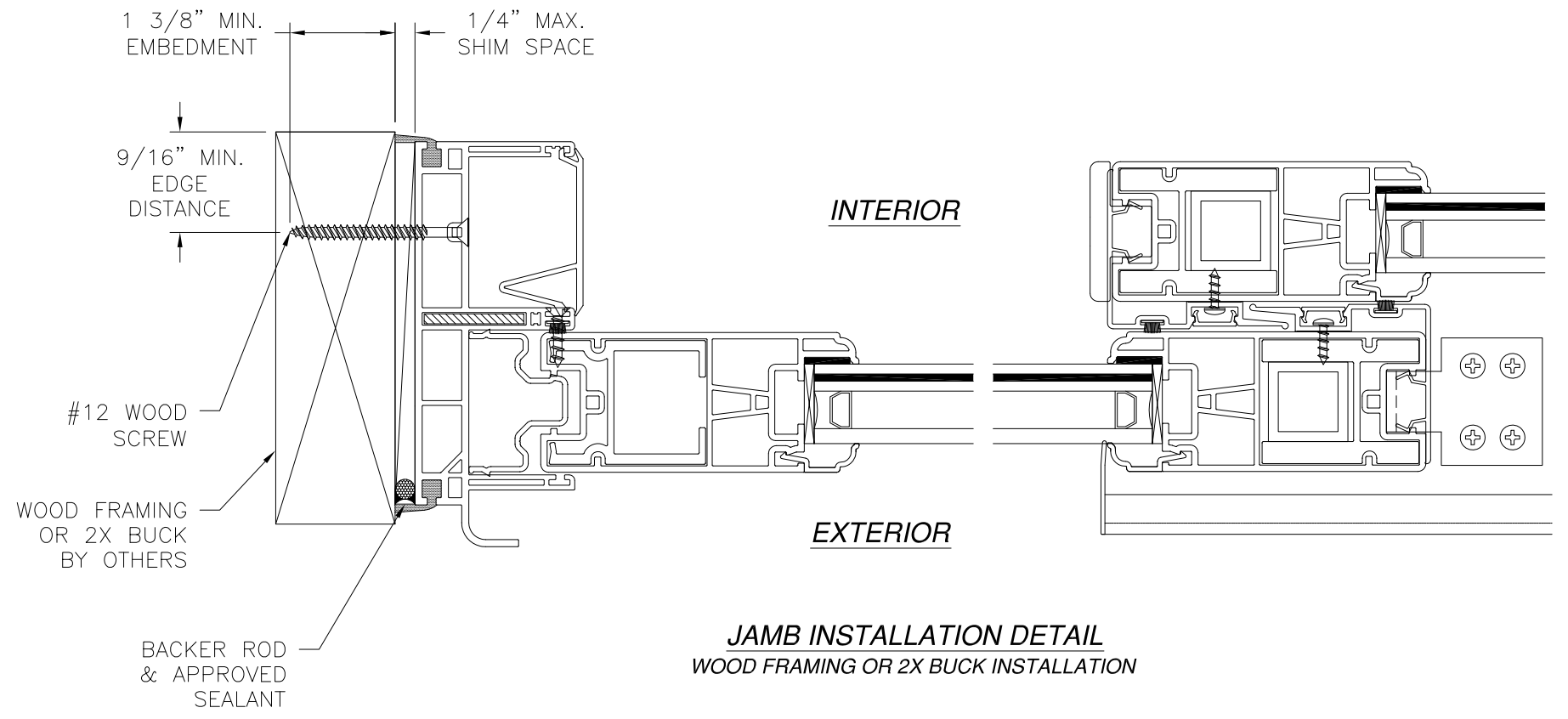
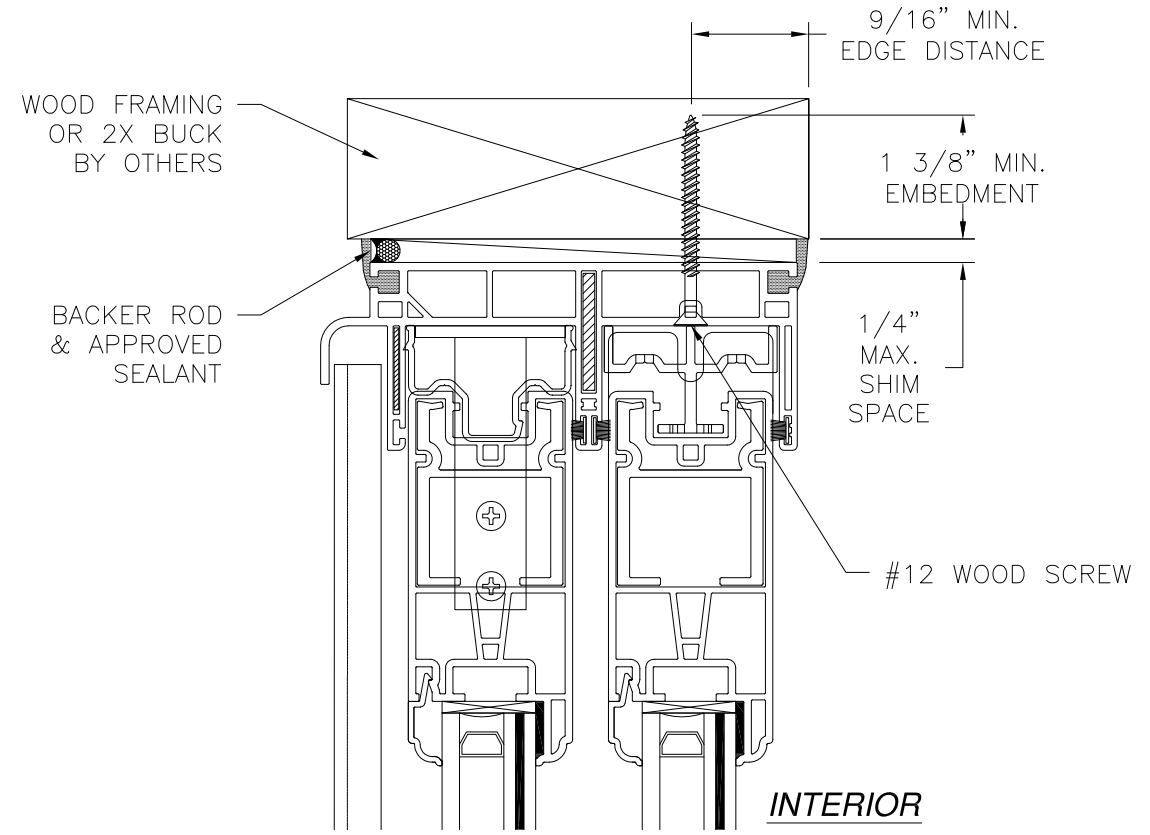
L. ROBERTO LOMAS P.E.
400 S. PALM AVE, INDIALANTIC, FL 32903
434-688-0609 rllomas@rlomaspe.com

SIGNED: 03/08/2023



Luis R. Lomas P.E.
FL No.: 62514

REVISIONS			
REV	DESCRIPTION	DATE	APPROVED



VERTICAL CROSS SECTION
WOOD FRAMING OR 2X BUCK INSTALLATION

JAMB INSTALLATION DETAIL
WOOD FRAMING OR 2X BUCK INSTALLATION

- NOTES:**
1. INTERIOR AND EXTERIOR FINISHES, BY OTHERS, NOT SHOWN FOR CLARITY.
 2. PERIMETER AND JOINT SEALANT BY OTHERS TO BE DESIGNED IN ACCORDANCE WITH ASTM E2112

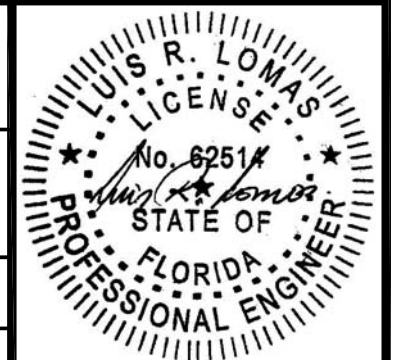
SIGNED: 03/08/2023

STERGIS WINDOWS AND DOORS
79 WALTON STREET
ATTLEBORO, MA 02703

1100 SLIDING GLASS DOOR
IMPACT - HVHZ
INSTALLATION DETAILS

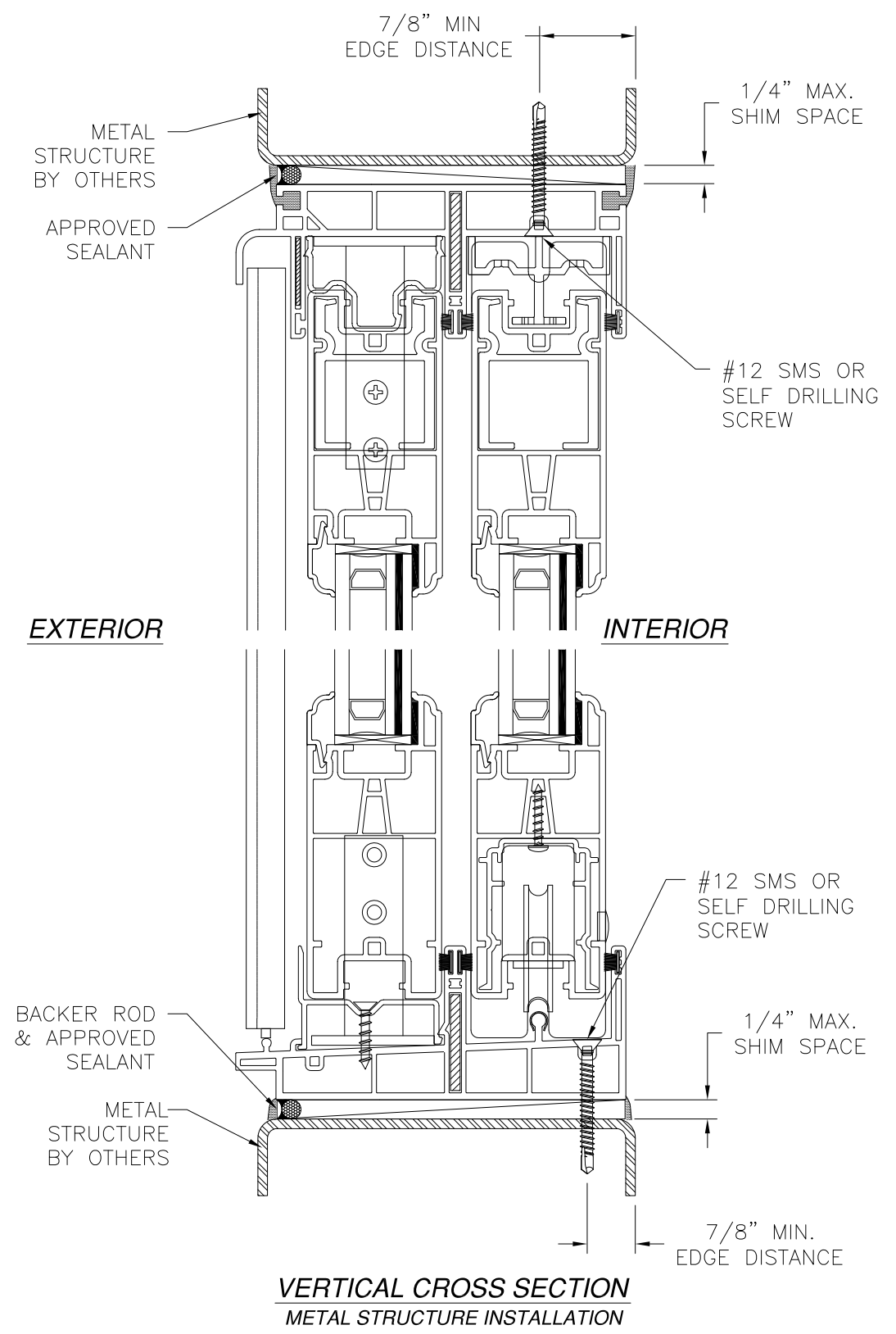
DRAWN: A.R.	DWG NO. 08-03896	REV -
SCALE NTS	DATE 03/08/2023	SHEET 3 OF 7

L. ROBERTO LOMAS P.E.
400 S. PALM AVE, INDIALANTIC, FL 32903
434-688-0609 rllomas@rlomaspe.com

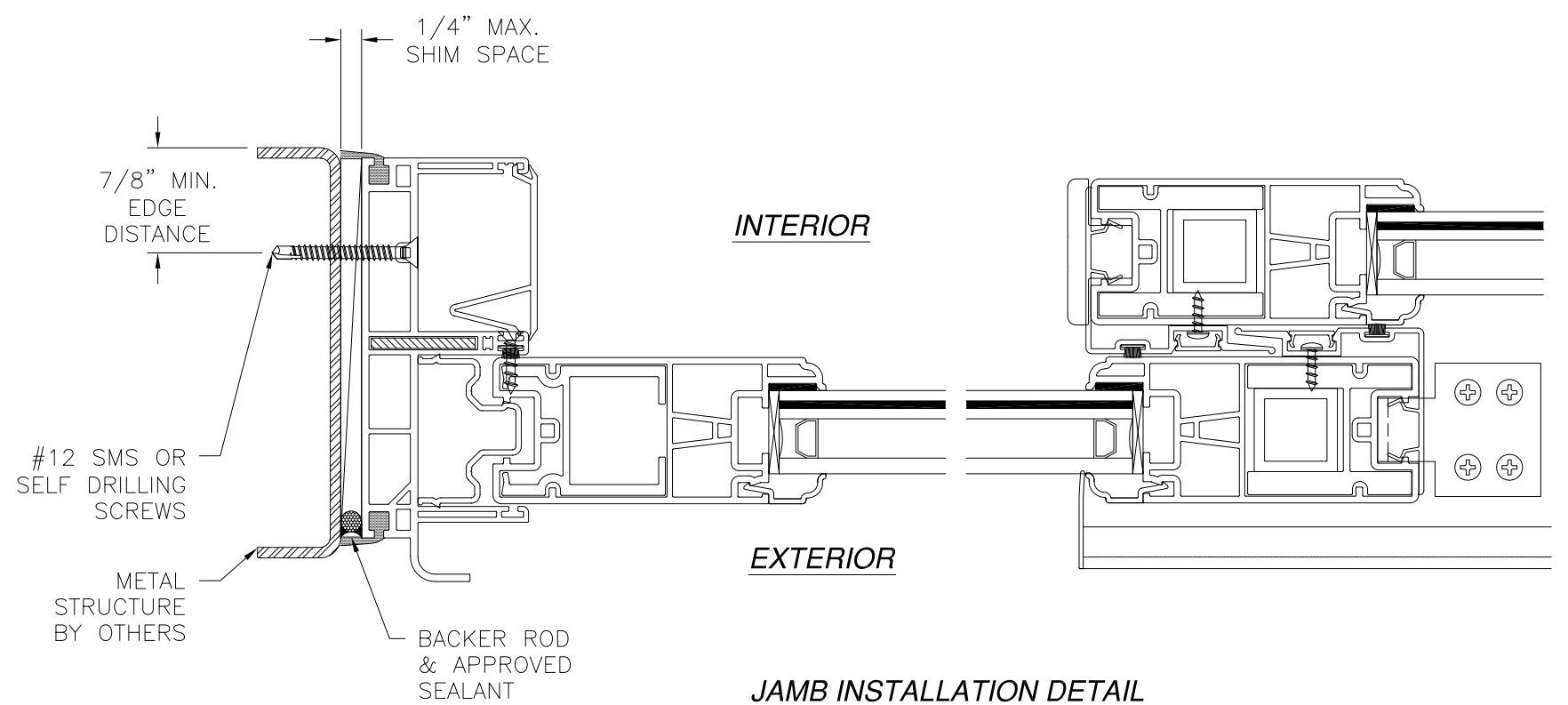


Luis R. Lomas P.E.
FL No.: 62514

REVISIONS			
REV	DESCRIPTION	DATE	APPROVED



VERTICAL CROSS SECTION
METAL STRUCTURE INSTALLATION



JAMB INSTALLATION DETAIL
METAL STRUCTURE INSTALLATION

- NOTES:**
1. INTERIOR AND EXTERIOR FINISHES, BY OTHERS, NOT SHOWN FOR CLARITY.
 2. PERIMETER AND JOINT SEALANT BY OTHERS TO BE DESIGNED IN ACCORDANCE WITH ASTM E2112

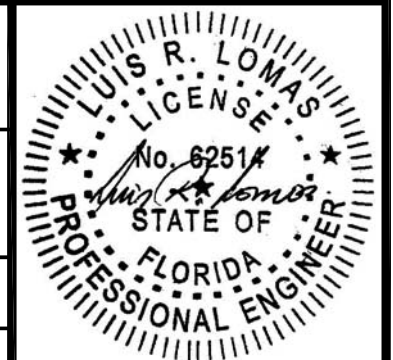
SIGNED: 03/08/2023

STERGIS WINDOWS AND DOORS
79 WALTON STREET
ATTLEBORO, MA 02703

1100 SLIDING GLASS DOOR
IMPACT - HVHZ
INSTALLATION DETAILS

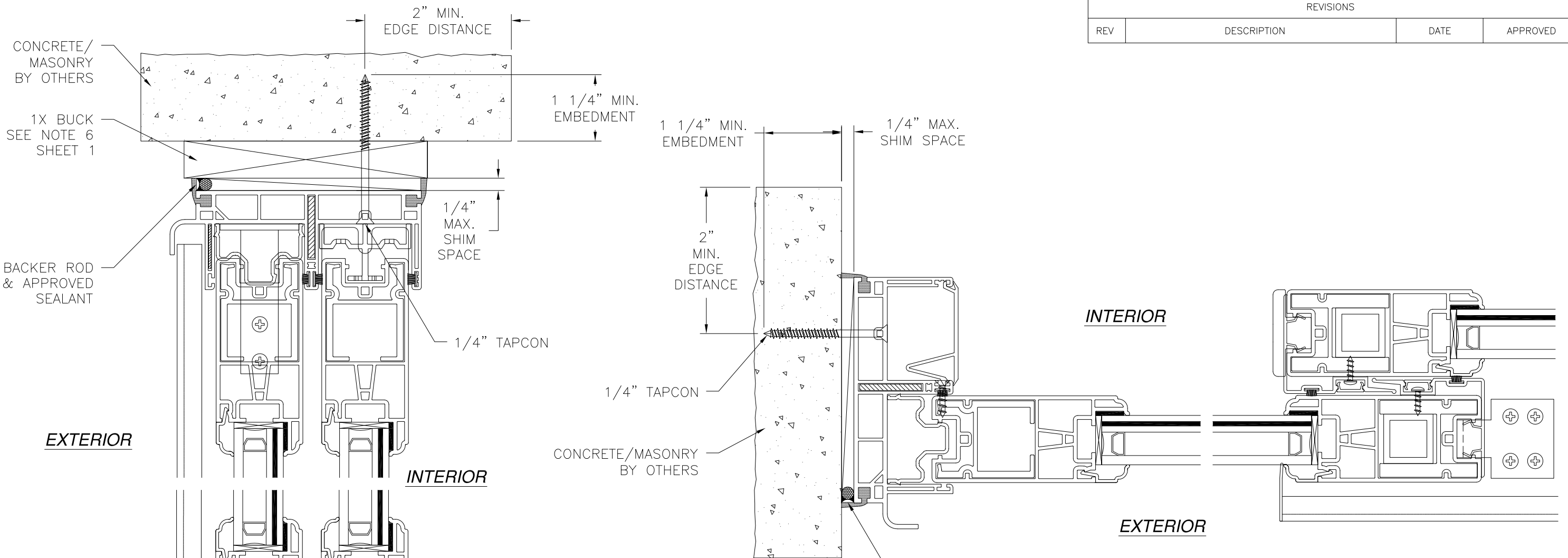
DRAWN: A.R.	DWG NO. 08-03896	REV -
SCALE NTS	DATE 03/08/2023	SHEET 4 OF 7

L. ROBERTO LOMAS P.E.
400 S. PALM AVE, INDIALANTIC, FL 32903
434-688-0609 rllomas@rlomaspe.com



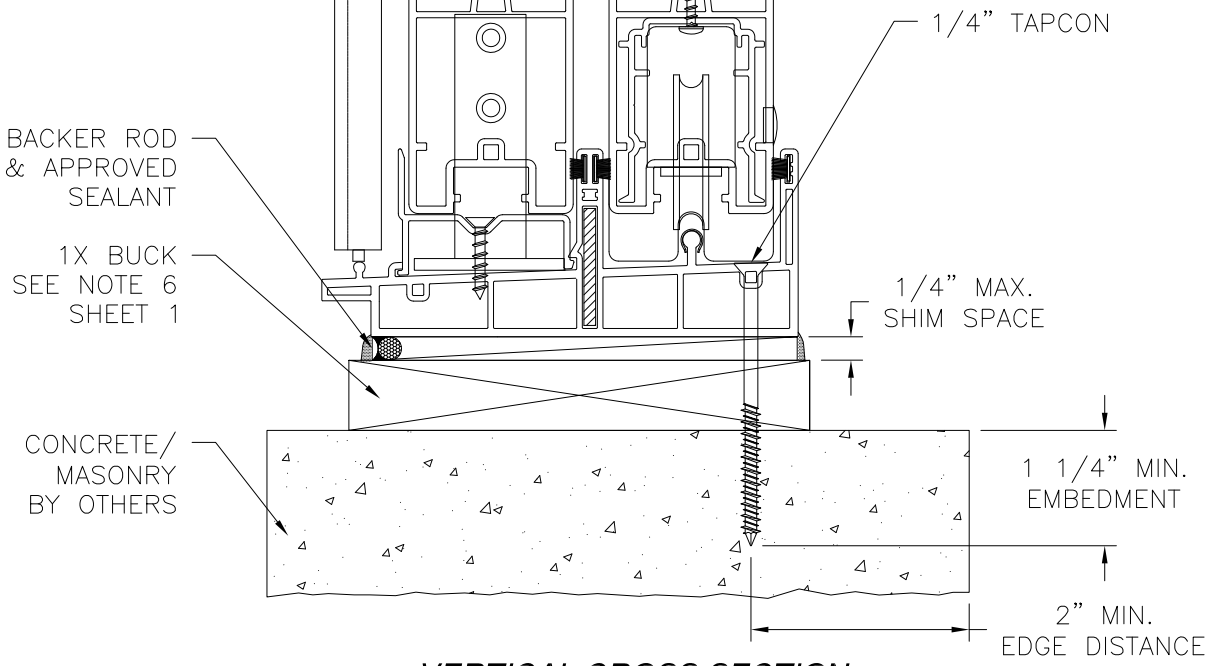
Luis R. Lomas P.E.
FL No.: 62514

REVISIONS			
REV	DESCRIPTION	DATE	APPROVED



JAMB INSTALLATION DETAIL
 CONCRETE/MASONRY WITHOUT 1X BUCK INSTALLATION
 FOR CONCRETE/MASONRY INSTALLATION WITH 1X BUCK REFER TO
 HEAD AND SILL INSTALLATION DETAILS

- NOTES:**
1. INTERIOR AND EXTERIOR FINISHES, BY OTHERS, NOT SHOWN FOR CLARITY.
 2. PERIMETER AND JOINT SEALANT BY OTHERS TO BE DESIGNED IN ACCORDANCE WITH ASTM E2112



VERTICAL CROSS SECTION
 CONCRETE/MASONRY WITH 1X BUCK INSTALLATION
 FOR CONCRETE/MASONRY WITHOUT 1X BUCK REFER TO
 JAMB INSTALLATION DETAIL

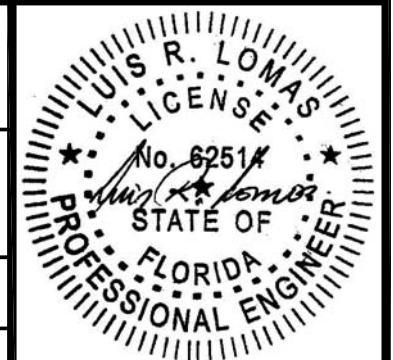
SIGNED: 03/08/2023

STERGIS WINDOWS AND DOORS
 79 WALTON STREET
 ATTLEBORO, MA 02703

1100 SLIDING GLASS DOOR
 IMPACT - HVHZ
 INSTALLATION DETAILS

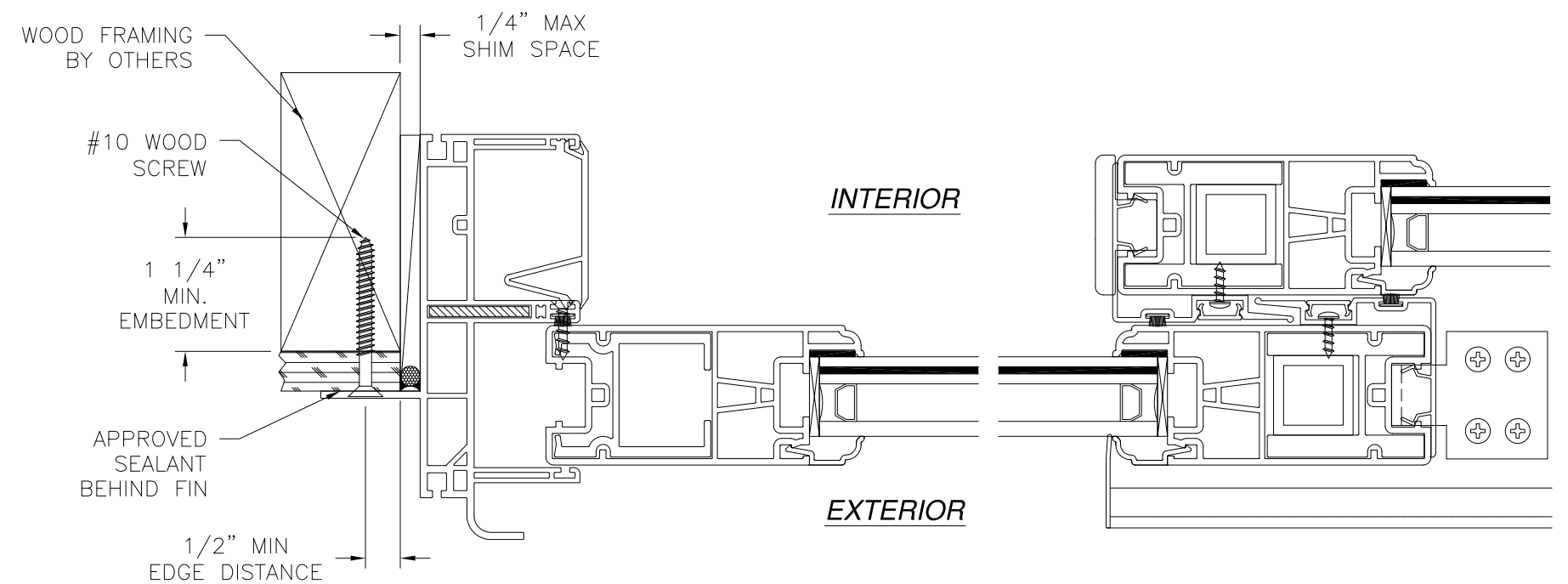
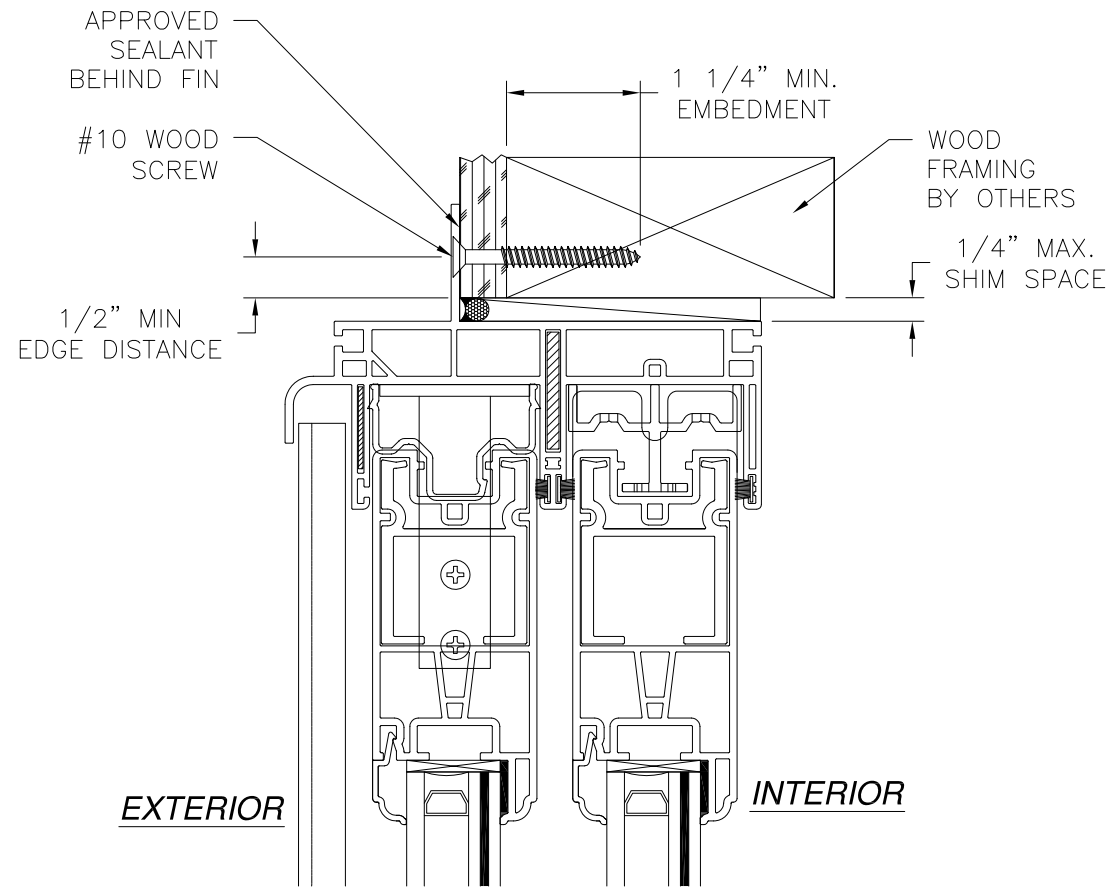
DRAWN: A.R.	DWG NO. 08-03896	REV -
SCALE NTS	DATE 03/08/2023	SHEET 5 OF 7

L. ROBERTO LOMAS P.E.
 400 S. PALM AVE, INDIAN LANTIC, FL 32903
 434-688-0609 rllomas@rlomaspe.com

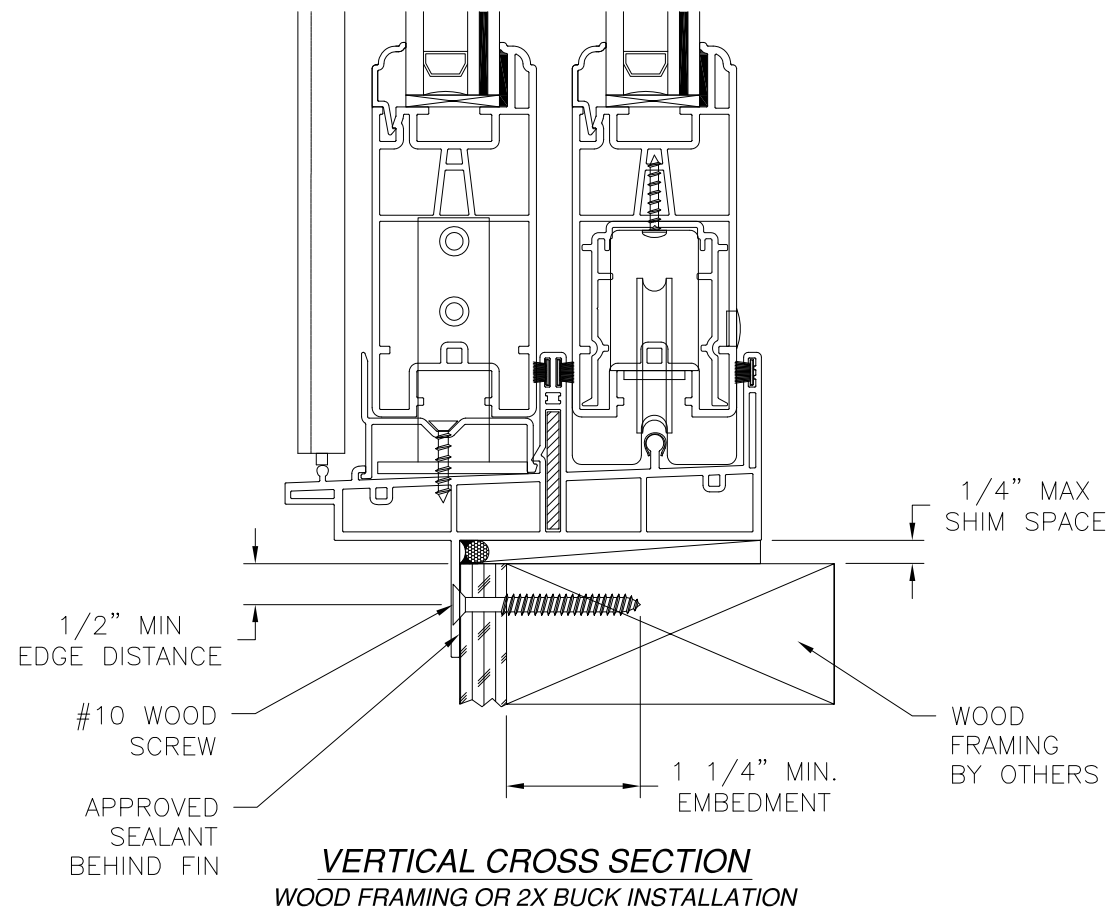


Luis R. Lomas P.E.
 FL No.: 62514

REVISIONS			
REV	DESCRIPTION	DATE	APPROVED



JAMB INSTALLATION DETAIL
WOOD FRAMING OR 2X BUCK INSTALLATION



VERTICAL CROSS SECTION
WOOD FRAMING OR 2X BUCK INSTALLATION

- NOTES:**
1. INTERIOR AND EXTERIOR FINISHES, BY OTHERS, NOT SHOWN FOR CLARITY.
 2. PERIMETER AND JOINT SEALANT BY OTHERS TO BE DESIGNED IN ACCORDANCE WITH ASTM E2112

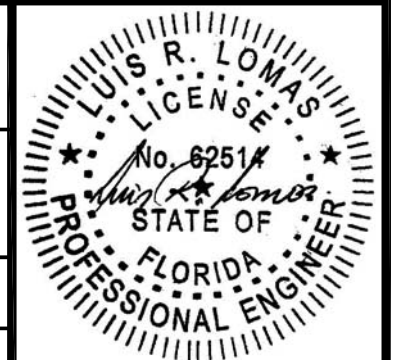
SIGNED: 03/08/2023

STERGIS WINDOWS AND DOORS
79 WALTON STREET
ATTLEBORO, MA 02703

1100 SLIDING GLASS DOOR
IMPACT - HVHZ
INSTALLATION DETAILS

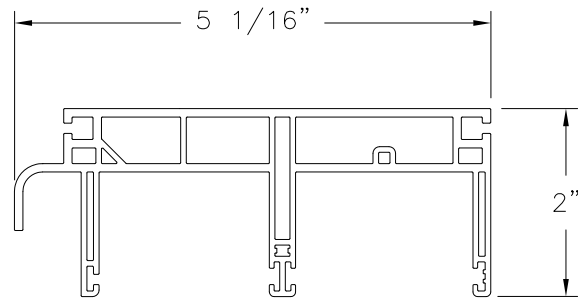
DRAWN: A.R.	DWG NO. 08-03896	REV -
SCALE NTS	DATE 03/08/2023	SHEET 6 OF 7

L. ROBERTO LOMAS P.E.
400 S. PALM AVE, INDIALANTIC, FL 32903
434-688-0609 rllomas@rlomaspe.com

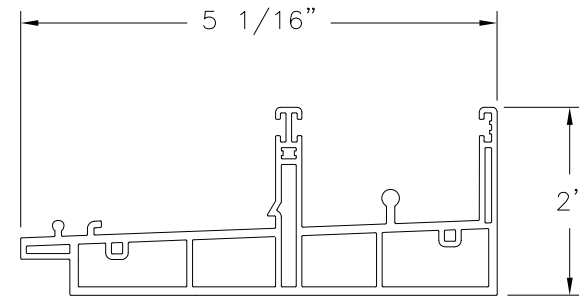


Luis R. Lomas P.E.
FL No.: 62514

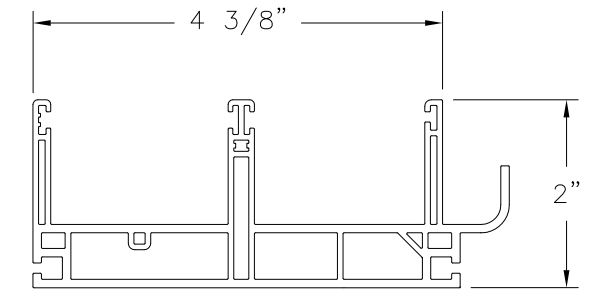
REVISIONS			
REV	DESCRIPTION	DATE	APPROVED



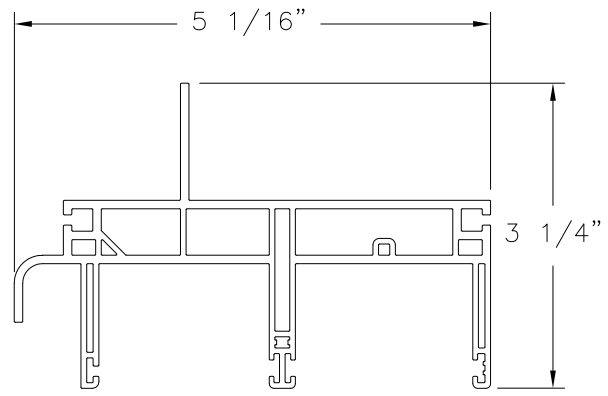
Frame Head
PVC .090" Thick



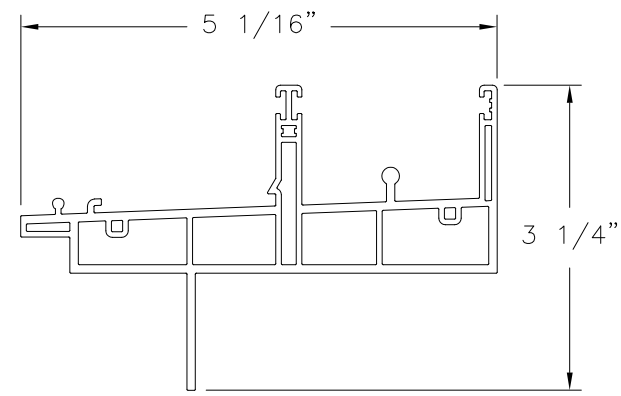
Frame Sill
PVC .090" Thick



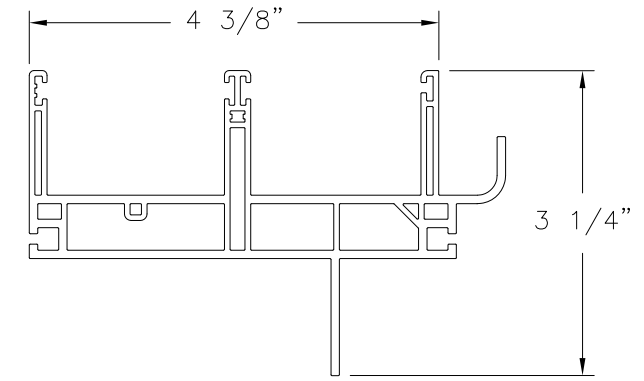
Frame Jambs
PVC .090" Thick



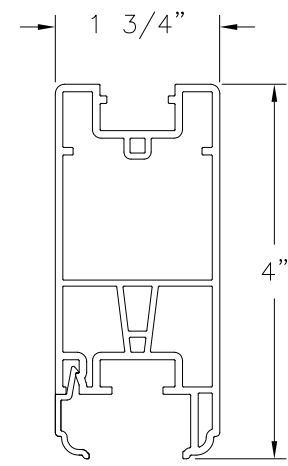
Frame Head (Fin)
PVC .090" Thick



Frame Sill (Fin)
PVC .090" Thick



Frame Jambs (Fin)
PVC .090" Thick



Sash Frame
PVC .085" Thick

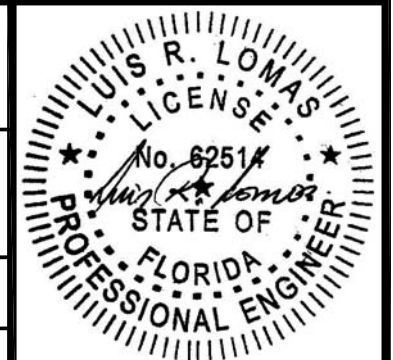
STERGIS WINDOWS AND DOORS
79 WALTON STREET
ATTLEBORO, MA 02703

1100 SLIDING GLASS DOOR
IMPACT - HVHZ
COMPONENTS

DRAWN: A.R.	DWG NO. 08-03896	REV -
SCALE NTS	DATE 03/08/2023	SHEET 7 OF 7

L. ROBERTO LOMAS P.E.
400 S. PALM AVE, INDIALANTIC, FL 32903
434-688-0609 rllomas@rlomaspe.com

SIGNED: 03/08/2023



Luis R. Lomas P.E.
FL No.: 62514