

LONGBOARD ARCHITECTURAL PRODUCTS

PRIVACY BEAM SYSTEM (HVHZ)

GENERAL NOTES:

1. THE PRODUCT SHOWN HEREIN IS DESIGNED AND MANUFACTURED TO COMPLY WITH THE CURRENT FLORIDA BUILDING CODE (FBC), **INCLUDING** HVHZ AND HAS BEEN EVALUATED ACCORDING TO THE FOLLOWING:
 - SECTION 1709.8
 - ASTM E8-16
2. ADEQUACY OF THE EXISTING STRUCTURAL CONCRETE/MASONRY AND 2X FRAMING AS A MAIN WIND FORCE RESISTING SYSTEM CAPABLE OF WITHSTANDING AND TRANSFERRING APPLIED PRODUCT LOADS TO THE FOUNDATION IS THE RESPONSIBILITY OF THE ENGINEER OR ARCHITECT OF RECORD FOR THE PROJECT OF INSTALLATION.
3. 2X MEMBERS (WHEN USED) SHALL BE DESIGNED AND ANCHORED TO PROPERLY TRANSFER ALL LOADS TO THE STRUCTURE. BUCK DESIGN AND INSTALLATION IS THE RESPONSIBILITY OF THE ENGINEER OR ARCHITECT OF RECORD FOR THE PROJECT OF INSTALLATION.
4. THE INSTALLATION DETAILS DESCRIBED HEREIN ARE GENERIC AND MAY NOT REFLECT ACTUAL CONDITIONS FOR A SPECIFIC SITE. IF SITE CONDITIONS CAUSE INSTALLATION TO DEVIATE FROM THE REQUIREMENTS DETAILED HEREIN, A LICENSED ENGINEER OR ARCHITECT SHALL PREPARE SITE SPECIFIC DOCUMENTS FOR USE WITH THIS DOCUMENT.
5. ALUMINUM SIDING MEETS THE REQUIREMENTS OF THE CURRENT FBC. APPLICATION OF ALUMINUM SIDING SHALL MEET REQUIREMENTS OF THE CURRENT FBC.
6. ALUMINUM SIDING SPECIFICATIONS:
 - MATERIAL: 6063-T5
 - MINIMUM WALL THICKNESS: 0.060"
7. INSTALLATION OF SIDING ACCESSORIES SUCH AS END CAP AND MOUNTING BRACKET SHALL BE DONE IN ACCORDANCE WITH THE FLORIDA BUILDING CODE AND THE MANUFACTURER'S INSTRUCTIONS.

INSTALLATION NOTES:

1. ONE (1) INSTALLATION ANCHOR IS REQUIRED AT EACH ANCHOR LOCATION SHOWN.
2. THE NUMBER OF INSTALLATION ANCHORS DEPICTED IS THE MINIMUM NUMBER OF ANCHORS TO BE USED FOR PRODUCT INSTALLATION.
3. INSTALL INDIVIDUAL INSTALLATION ANCHORS WITHIN A TOLERANCE OF ±1/2 INCH OF THE DEPICTED LOCATION IN THE ANCHOR LAYOUT DETAIL (I.E., WITHOUT CONSIDERATION OF TOLERANCES). TOLERANCES ARE NOT CUMULATIVE FROM ONE INSTALLATION ANCHOR TO THE NEXT.
4. MINIMUM EMBEDMENT AND EDGE DISTANCE EXCLUDE WALL FINISHES, INCLUDING BUT NOT LIMITED TO STUCCO, FOAM, BRICK VENEER, SHEATHING AND SIDING.
5. INSTALLATION ANCHORS AND ASSOCIATED HARDWARE MUST BE MADE OF CORROSION RESISTANT MATERIAL OR HAVE A CORROSION RESISTANT COATING.
6. FOR HOLLOW BLOCK AND GROUT FILLED BLOCK, DO NOT INSTALL INSTALLATION ANCHORS INTO MORTAR JOINTS. EDGE DISTANCE IS MEASURED FROM FREE EDGE OF BLOCK OR EDGE OF MORTAR JOINT INTO FACE SHELL OF BLOCK.
7. INSTALLATION ANCHORS SHALL BE INSTALLED IN ACCORDANCE WITH ANCHOR MANUFACTURER'S INSTALLATION INSTRUCTIONS, AND ANCHORS SHALL NOT BE USED IN SUBSTRATES WITH STRENGTHS LESS THAN THE MINIMUM STRENGTH SPECIFIED BY THE ANCHOR MANUFACTURER.
8. PRODUCT SHALL BE INSTALLED IN FRONT OF CBS CONSTRUCTION (ASTM C90) OR 5/8" (5 PLY) PLYWOOD SUPPORTED BY STUDS AT 16" O.C.
9. INSTALLATION ANCHOR CAPACITIES FOR PRODUCTS HEREIN ARE BASED ON SUBSTRATE MATERIALS WITH THE FOLLOWING PROPERTIES:
 - A. WOOD - MINIMUM SPECIFIC GRAVITY OF 0.55.
 - B. STEEL - MINIMUM YIELD STRENGTH OF 36 KSI. MINIMUM 18 GA. WALL THICKNESS.
 - C. ALUMINUM - MINIMUM 1/8 INCH THICK 6063-T5 ALUMINUM.
 - D. CONCRETE -MINIMUM COMPRESSIVE STRENGTH OF 3000 PSI.
 - E. MASONRY - CMU UNIT STRENGTH CONFORMS TO ASTM C-90, WITH MIN. COMPRESSIVE STRENGTH OF 2000 PSI AND GROUT CONFORMS TO ASTM C 476, MIN. GROUT COMPRESSIVE STRENGTH OF 2000 PSI.

TABLE OF CONTENTS	
SHEET	SHEET DESCRIPTION
1	GENERAL NOTES, INSTALLATION NOTES AND DESIGN PRESSURE TABLE
2	WALL MOUNT INSTALLATION
3	WALL MOUNT INSTALLATION
4	END FRAME INSTALLATION
5	DESIGN PRESSURE TABLES
6	COMPONENTS

DESIGN RATINGS
SEE SHEET 5



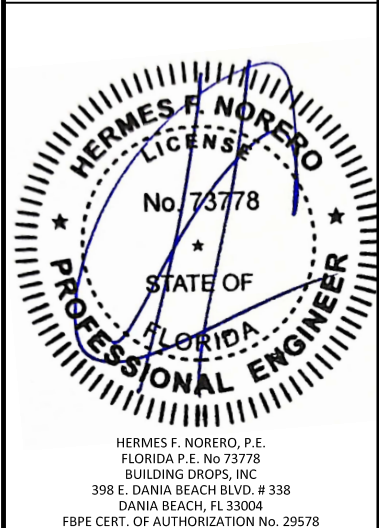
1777 CLEARBROOK RD #120
ABBOTSFORD, BC V2T 5X5, CANADA
PH: (800) 604-0343

TITLE: PRIVACY BEAM SYSTEM (HVHZ)
GENERAL NOTES, INSTALLATION NOTES & DESIGN PRESSURE TABLE

PREPARED BY: BUILDING DROPS, INC.
398 E. DANIA BEACH BLVD., STE. 338
DANIA BEACH, FL 33004
PH: (954) 399-8478
FAX: (954) 744-4738
WEB: www.buildingdrops.com

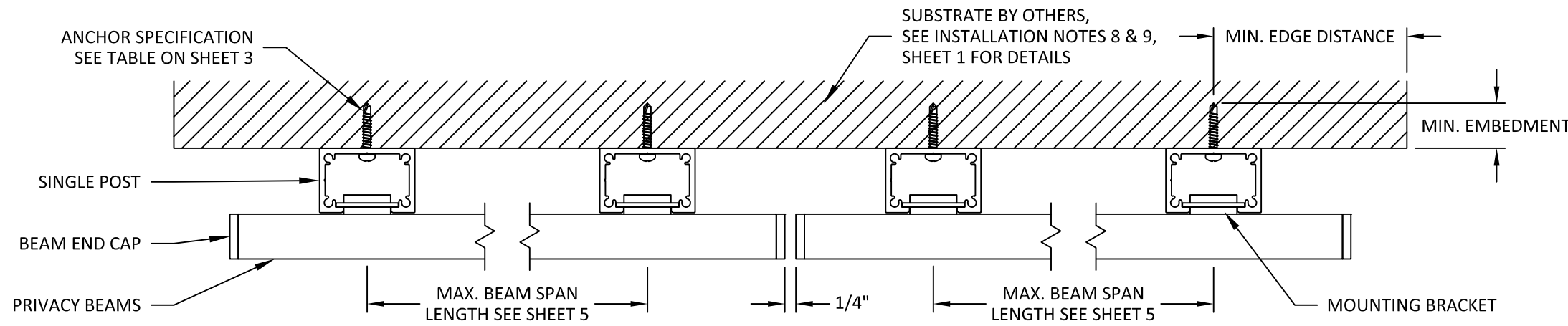
REMARKS	BY	DATE
A. 2023 FBC UPDATE	MS	08/08/2023

THE INSTALLATION DETAILS DESCRIBED HEREIN ARE GENERIC AND MAY NOT REFLECT ACTUAL CONDITIONS FOR A SPECIFIC SITE. IF SITE CONDITIONS CAUSE INSTALLATION TO DEVIATE FROM THE REQUIREMENTS DETAILED HEREIN, A LICENSED ENGINEER OR ARCHITECT SHALL PREPARE SITE SPECIFIC DOCUMENTS FOR USE WITH THIS DOCUMENT.

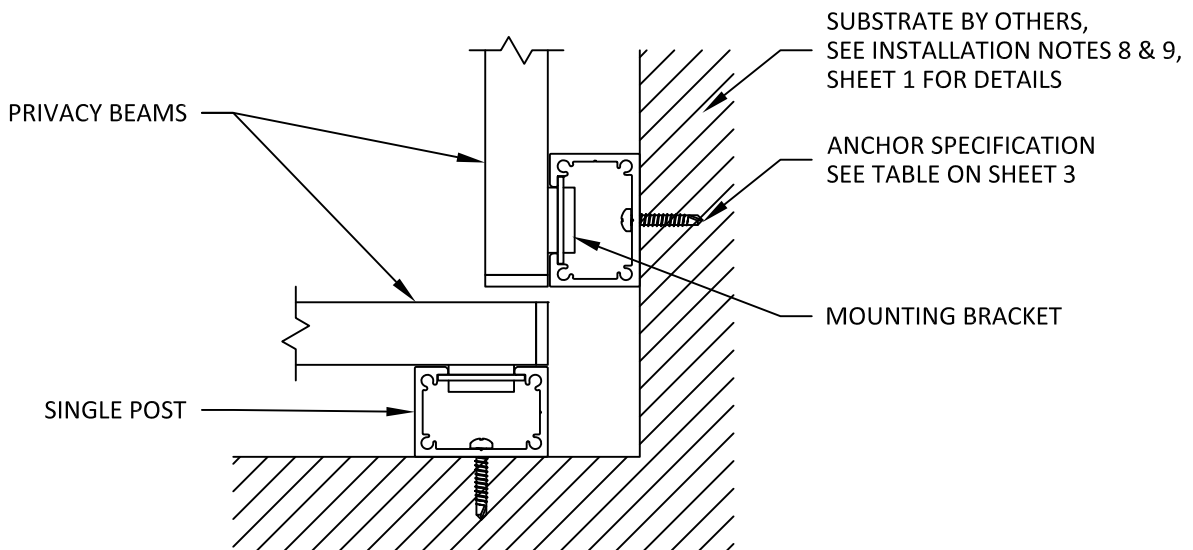


FL #:	FL42008
DATE:	03.23.23
DWG. BY:	MS
CHK. BY:	HFN
SCALE:	NTS
DWG. #:	LBD003
SHEET:	1

WALL MOUNT INSTALLATION



POST CROSS SECTION



INTERIOR CORNER



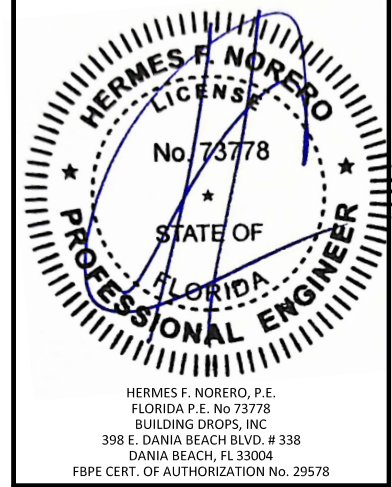
1777 CLEARBROOK RD #120
 ABBOTSFORD, BC V2T 5X5, CANADA
 PH: (800) 604-0343

TITLE: PRIVACY BEAM SYSTEM (HVHZ)
 WALL MOUNT INSTALLATION

PREPARED BY: BUILDING DROPS, INC.
 398 E. DANIA BEACH BLVD., STE. 338
 DANIA BEACH, FL 33004
 PH: (954) 399-8278
 FAX: (954) 744-4738
 WEB: www.buildingdrops.com

REMARKS	BY	DATE
A. 2023 FBC UPDATE	MS	08/08/2023

THE INSTALLATION DETAILS DESCRIBED HEREIN ARE GENERIC AND MAY NOT REFLECT ACTUAL CONDITIONS FOR A SPECIFIC SITE. IF SITE CONDITIONS CAUSE INSTALLATION TO DEVIATE FROM THE REQUIREMENTS DETAILED HEREIN, A LICENSED ENGINEER OR ARCHITECT SHALL PREPARE SITE SPECIFIC DOCUMENTS FOR USE WITH THIS DOCUMENT.

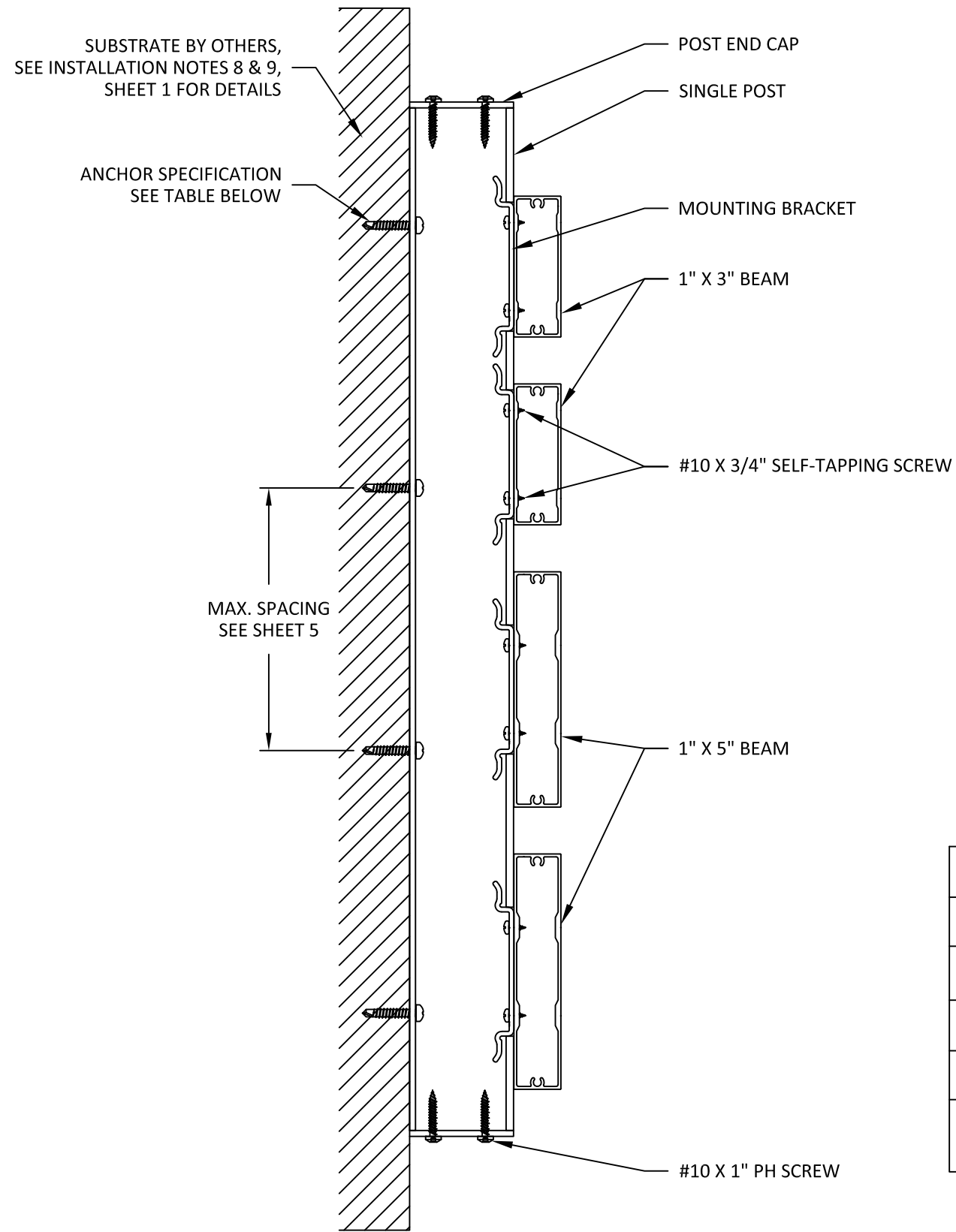


FL #:	FL42008
DATE:	03.23.23
DWG. BY:	MS
CHK. BY:	HFN
SCALE:	NTS
DWG. #:	LBD003

SHEET: **2** OF 6

8/10/2023 12:49 PM
s:\projects\longboard architectural products\cc-23-0720.1 - fbc 2023 code change\dwgs\lbd003.dwg

WALL MOUNT INSTALLATION



BEAM CROSS SECTION

SUBSTRATE	ANCHOR DESCRIPTION	MIN. EMBEDMENT	MIN. EDGE DISTANCE
WOOD MIN. S.G. = 0.55	#12 WOOD SCREW	1-1/2"	1"
STEEL: MIN. 1/16" THICK., MIN. Fy=36 KSI	#12 SELF-DRILLING OR SELF-TAPPING SCREW (GRADE 5)	3 THREADS PENETRATION PAST METAL STRUCTURE	1/2"
ALUM.: MIN. 1/8", MIN. 6063-T5			
CONCRETE MIN. F'C = 3000 PSI	3/16" ITW TAPCON	1-1/2"	1-7/8"
HOLLOW / GROUT-FILLED BLOCK PER C-90 MIN. F'C = 2000 PSI	3/16" DEWALT ULTRACON+	1-1/4"	2"



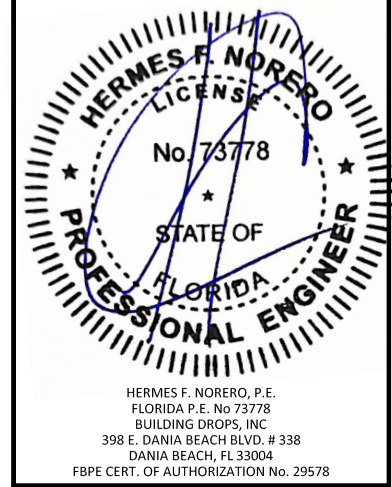
1777 CLEARBROOK RD #120
ABBOTSFORD, BC V2T 5X5, CANADA
PH: (800) 604-0343

TITLE: PRIVACY BEAM SYSTEM (HVHZ)
WALL MOUNT INSTALLATION

PREPARED BY: BUILDING DROPS, INC.
398 E. DANIA BEACH BLVD., STE. 338
DANIA BEACH, FL 33004
PH: (954) 399-8478
FAX: (954) 744-4738
WEB: www.buildingdrops.com

REMARKS	BY	DATE
A. 2023 FBC UPDATE	MS	08/08/2023

THE INSTALLATION DETAILS DESCRIBED HEREIN ARE GENERIC AND MAY NOT REFLECT ACTUAL CONDITIONS FOR A SPECIFIC SITE. IF SITE CONDITIONS CAUSE INSTALLATION TO DEVIATE FROM THE REQUIREMENTS DETAILED HEREIN, A LICENSED ENGINEER OR ARCHITECT SHALL PREPARE SITE SPECIFIC DOCUMENTS FOR USE WITH THIS DOCUMENT.



FL #: FL42008

DATE: 03.23.23

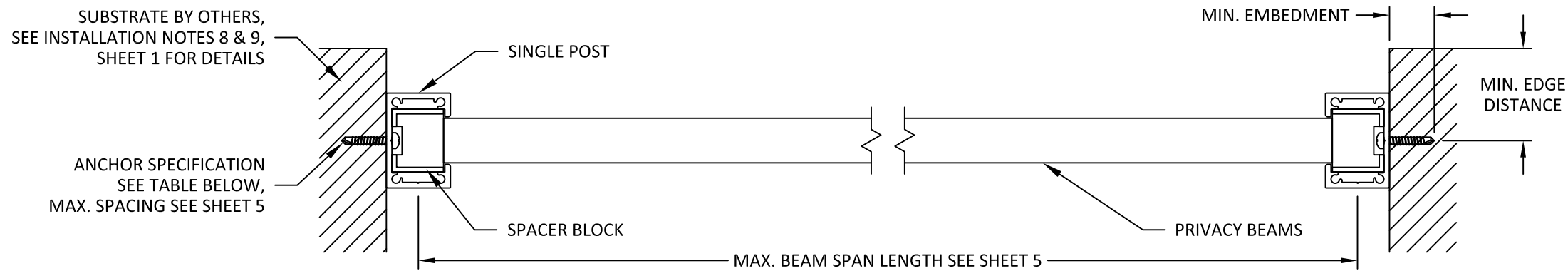
DWG. BY: MS **CHK. BY:** HFN

SCALE: NTS

DWG. #: LBD003

SHEET:

END FRAME INSTALLATION



SUBSTRATE	ANCHOR DESCRIPTION	MIN. EMBEDMENT	MIN. EDGE DISTANCE
WOOD MIN. S.G. = 0.55	#12 WOOD SCREW	1-1/2"	1"
STEEL: MIN. 18 GA., MIN. Fy=36 KSI	#12 SELF-DRILLING OR SELF-TAPPING SCREW (GRADE 5)	3 THREADS PENETRATION PAST METAL STRUCTURE	1/2"
ALUM.: MIN. 1/8", MIN. 6063-T5			
CONCRETE MIN. F'C = 3000 PSI	3/16" ITW TAPCON	1-1/2"	2"
HOLLOW / GROUT-FILLED BLOCK PER C-90 MIN. F'C = 2000 PSI		1"	3"



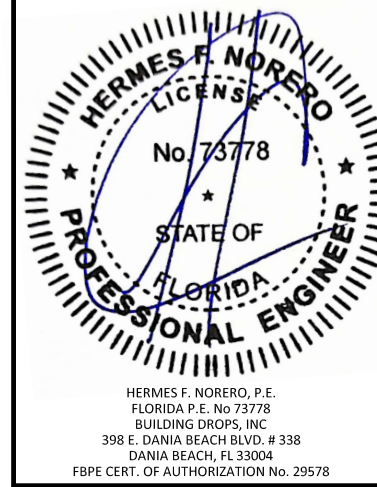
1777 CLEARBROOK RD #120
ABBOTSFORD, BC V2T 5X5, CANADA
PH: (800) 604-0343

TITLE: PRIVACY BEAM SYSTEM (HVHZ) END FRAME INSTALLATION

PREPARED BY: BUILDING DROPS, INC.
398 E. DANIA BEACH BLVD., STE. 338
DANIA BEACH, FL 33004
PH: (954) 399-8478
FAX: (954) 744-4738
WEB: www.buildingdrops.com

REMARKS	BY	DATE
A. 2023 FBC UPDATE	MS	08/08/2023

THE INSTALLATION DETAILS DESCRIBED HEREIN ARE GENERIC AND MAY NOT REFLECT ACTUAL CONDITIONS FOR A SPECIFIC SITE. IF SITE CONDITIONS CAUSE INSTALLATION TO DEVIATE FROM THE REQUIREMENTS DETAILED HEREIN, A LICENSED ENGINEER OR ARCHITECT SHALL PREPARE SITE SPECIFIC DOCUMENTS FOR USE WITH THIS DOCUMENT.



FL #: **FL42008**

DATE: **03.23.23**

DWG. BY: **MS** CHK. BY: **HFN**

SCALE: **NTS**

DWG. #: **LBD003**

SHEET: **4**

OF 6

DESIGN PRESSURE TABLES



1777 CLEARBROOK RD #120
ABBOTSFORD, BC V2T 5X5, CANADA
PH: (800) 604-0343

TITLE: PRIVACY BEAM SYSTEM (HVHZ)
DESIGN PRESSURE TABLES

PREPARED BY: BUILDING DROPS, INC.
398 E. DANIA BEACH BLVD., STE. 338
DANIA BEACH, FL 33004
PH: (954) 399-8478
FAX: (954) 744-4738
WEB: www.buildingdrops.com

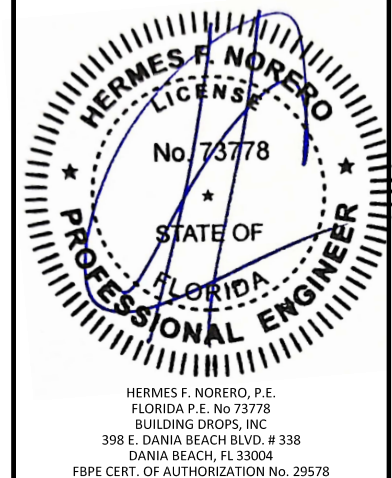
1X3 PRIVACY BEAM												
ALLOWABLE BEAM SPAN (FT)	ULTIMATE DESIGN PRESSURE* (PSF)	ALLOWABLE DESIGN PRESSURE* (PSF)	WALL MOUNT MAX. ANCHOR SPACING (IN)					END FRAME MAX. ANCHOR SPACING (IN)				
			WOOD	STEEL	ALUM.	CONC.	MASONRY	WOOD	STEEL	ALUM.	CONC.	MASONRY
4	120	72	15.5	6.3	7.2	8.9	6.3	6.3	14.7	16.5	8.4	5.9
6	70	42	17.7	7.2	8.2	10.2	7.1	7.1	16.8	18.9	9.6	6.7
7	40	24	24.0	10.9	12.3	15.3	10.7	10.7	24.0	24.0	14.3	10.1
8	30	18	24.0	12.7	14.4	17.9	12.5	12.5	24.0	24.0	16.7	11.7

*NOTE: ALLOWABLE DP = ULTIMATE DP X 0.6

1X5 PRIVACY BEAM												
ALLOWABLE BEAM SPAN (FT)	ULTIMATE DESIGN PRESSURE* (PSF)	ALLOWABLE DESIGN PRESSURE* (PSF)	WALL MOUNT MAX. ANCHOR SPACING (IN)					END FRAME MAX. ANCHOR SPACING (IN)				
			WOOD	STEEL	ALUM.	CONC.	MASONRY	WOOD	STEEL	ALUM.	CONC.	MASONRY
4	120	72	15.5	6.3	7.2	8.9	6.3	6.3	14.7	16.5	8.4	5.9
6	36	60	20.7	8.5	9.6	11.9	8.3	8.3	19.6	22.0	11.1	7.8
7	18	30	24.0	14.5	16.5	20.4	14.3	14.3	24.0	24.0	19.1	13.4

*NOTE: ALLOWABLE DP = ULTIMATE DP X 0.6

THE INSTALLATION DETAILS DESCRIBED HEREIN ARE GENERIC AND MAY NOT REFLECT ACTUAL CONDITIONS FOR A SPECIFIC SITE. IF SITE CONDITIONS CAUSE INSTALLATION TO DEVIATE FROM THE REQUIREMENTS DETAILED HEREIN, A LICENSED ENGINEER OR ARCHITECT SHALL PREPARE SITE SPECIFIC DOCUMENTS FOR USE WITH THIS DOCUMENT.



FL #: FL42008

DATE: 03.23.23

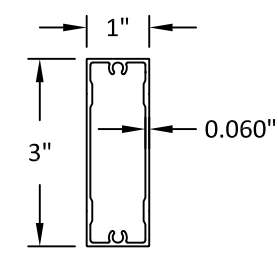
DWG. BY: MS **CHK. BY:** HFN

SCALE: NTS

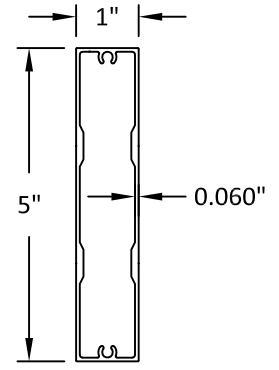
DWG. #: LBD003

SHEET: 5 OF 6

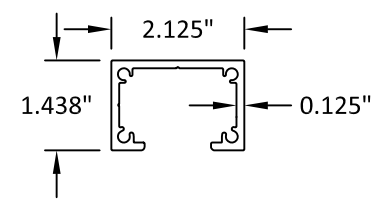
COMPONENTS



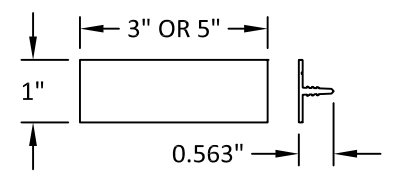
1X3 PRIVACY BEAM



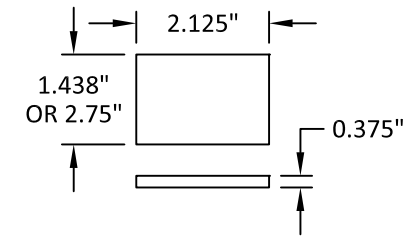
1X5 PRIVACY BEAM



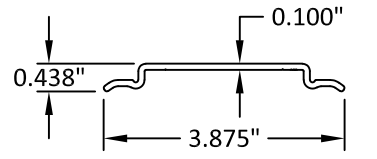
SINGLE POST



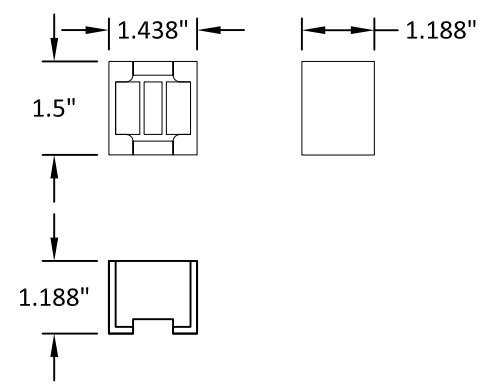
BEAM END CAP



POST END CAP



MOUNTING BRACKET



SPACER BLOCK



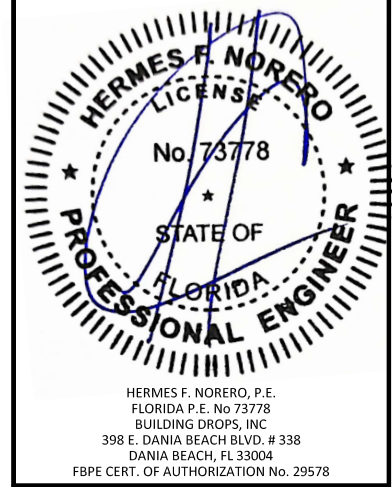
1777 CLEARBROOK RD #120
ABBOTSFORD, BC V2T 5X5, CANADA
PH: (800) 604-0343

TITLE: **PRIVACY BEAM SYSTEM (HVHZ) COMPONENTS**

PREPARED BY: **BUILDING DROPS, INC.**
398 E. DANIA BEACH BLVD., STE. 338
DANIA BEACH, FL 33004
PH: (954) 399-8478
FAX: (954) 744-4738
WEB: www.buildingdrops.com

REMARKS	BY	DATE
A. 2023 FBC UPDATE	MS	08/08/2023

THE INSTALLATION DETAILS DESCRIBED HEREIN ARE GENERIC AND MAY NOT REFLECT ACTUAL CONDITIONS FOR A SPECIFIC SITE. IF SITE CONDITIONS CAUSE INSTALLATION TO DEVIATE FROM THE REQUIREMENTS DETAILED HEREIN, A LICENSED ENGINEER OR ARCHITECT SHALL PREPARE SITE SPECIFIC DOCUMENTS FOR USE WITH THIS DOCUMENT.



FL #: **FL42008**

DATE: **03.23.23**

DWG. BY: **MS** CHK. BY: **HFN**

SCALE: **NTS**

DWG. #: **LBD003**

SHEET: **6**

OF 6