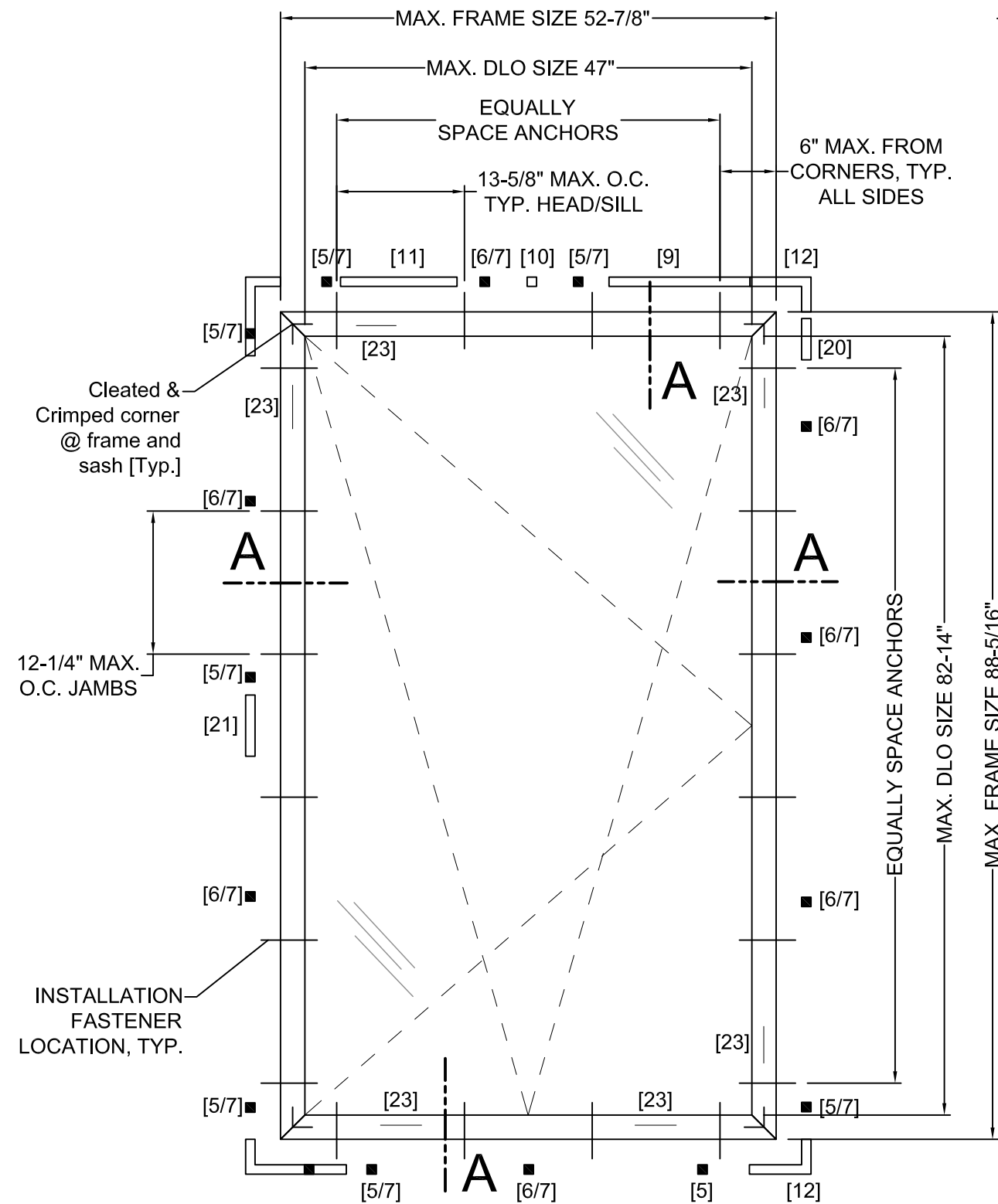


# LUXVIEW TILT+TURN 70 WINDOW

## GENERAL NOTES

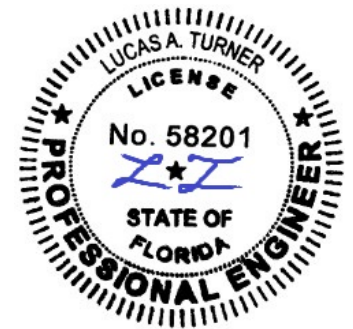
1. THE PRODUCT SHOWN HEREIN CONSTRUCTED FROM LUXVIEW THERMALLY BROKEN ALUMINUM FRAMES HAS BEEN TESTED TO TAS201/202/203-94, AND MEETS THE REQUIREMENTS OF THE FLORIDA BUILDING CODE, 7TH EDITION (2020), INCLUDING THE HIGH VELOCITY HURRICANE ZONE.
2. THIS PRODUCT IS LARGE AND SMALL MISSILE IMPACT RESISTANT AND DOES NOT REQUIRE THE USE OF IMPACT PROTECTIVE DEVICES (SHUTTERS) IN WINDBORNE DEBRIS REGIONS.
3. THE DESIGN PRESSURES INDICATED IN THIS DRAWING ARE AS LIMITED BY ASTM E-1300 GLASS TABLES, AND TESTED WATER, STRUCTURAL, AND CYCLIC PRESSURES.
4. THIS DOCUMENT ADDRESSES PRODUCT ANCHORAGE TO ACHIEVE THE INDICATED DESIGN PRESSURES AT THE INDICATED SIZES, IN THE CONFIGURATION SHOWN IN THE ELEVATIONS. INSTALL PRODUCTS WITH MAXIMUM SHIM GAP, MINIMUM EDGE DISTANCE AND EMBEDMENT, AND WITH FASTENER TYPE AS SHOWN IN THE DETAILS AND AS INDICATED IN TABLE 1. FOR FULL PRODUCT CONSTRUCTION DETAILS SEE INTERTEK TEST REPORT N9351.04-550-44-r0.
6. THE 4/3 ALLOWABLE STRESS INCREASE FACTOR (SHORT-TERM INCREASE FACTOR) HAS NOT BEEN USED IN THE ANCHOR ANALYSIS FOR THIS SYSTEM. THE 1.6 Cd FACTOR WAS USED IN THE ANALYSIS OF ANCHORAGE INTO WOOD SUBSTRATE.
7. THE OPENING SUBSTRATE MATERIALS (FRAMING, MASONRY, BUCKS) AND ATTACHMENT OF BUCKS TO THE SUBSTRATE ARE BY OTHERS AND SHALL BE VERIFIED BY THE ARCHITECT OR ENGINEER OF RECORD OR AS APPROVED BY THE AUTHORITY HAVING JURISDICTION (AHJ). BUCKING, OPENINGS, & BUCKING FASTENERS MUST BE PROPERLY DESIGNED & INSTALLED BY OTHERS IN ACCORDANCE WITH THE FBC TO TRANSFER SUPERIMPOSED LOADS TO THE STRUCTURE. WITH MASONRY OPENINGS, WOOD BUCKS ARE OPTIONAL.
8. DISSIMILAR MATERIALS THAT COME INTO CONTACT SHALL BE COATED OR OTHERWISE PROTECTED TO PREVENT GALVANIC REACTIONS. WOOD BUCKS, IF USED, SHALL BE PRESSURE TREATED, WITH EITHER A TREATMENT OR COATING COMPATIBLE WITH THIS PRODUCT.
9. ALL ANCHORS USED SHALL BE OF A MATERIAL OR HAVE A COATING COMPATIBLE WITH THE PRESSURE TREATED WOOD BUCKS AND ALL OTHER WINDOW MATERIALS.
10. ALL HARDWARE & FASTENERS SHALL BE IN ACCORDANCE WITH THESE DRAWINGS, OR AS APPROVED, SIGNED, AND SEALED BY A FLORIDA REGISTERED PROFESSIONAL ENGINEER ON A SITE-SPECIFIC BASIS.
11. SEALING AND FLASHING STRATEGIES FOR OVERALL WATER INFILTRATION RESISTANCE OF THE INSTALLED PRODUCT SHALL BE THE RESPONSIBILITY OF OTHERS AND ARE NOT ADDRESSED BY THIS DOCUMENT.
12. FOR ADDITIONAL REQUIREMENTS SEE GENERAL ANCHOR NOTES, SHEET 2.



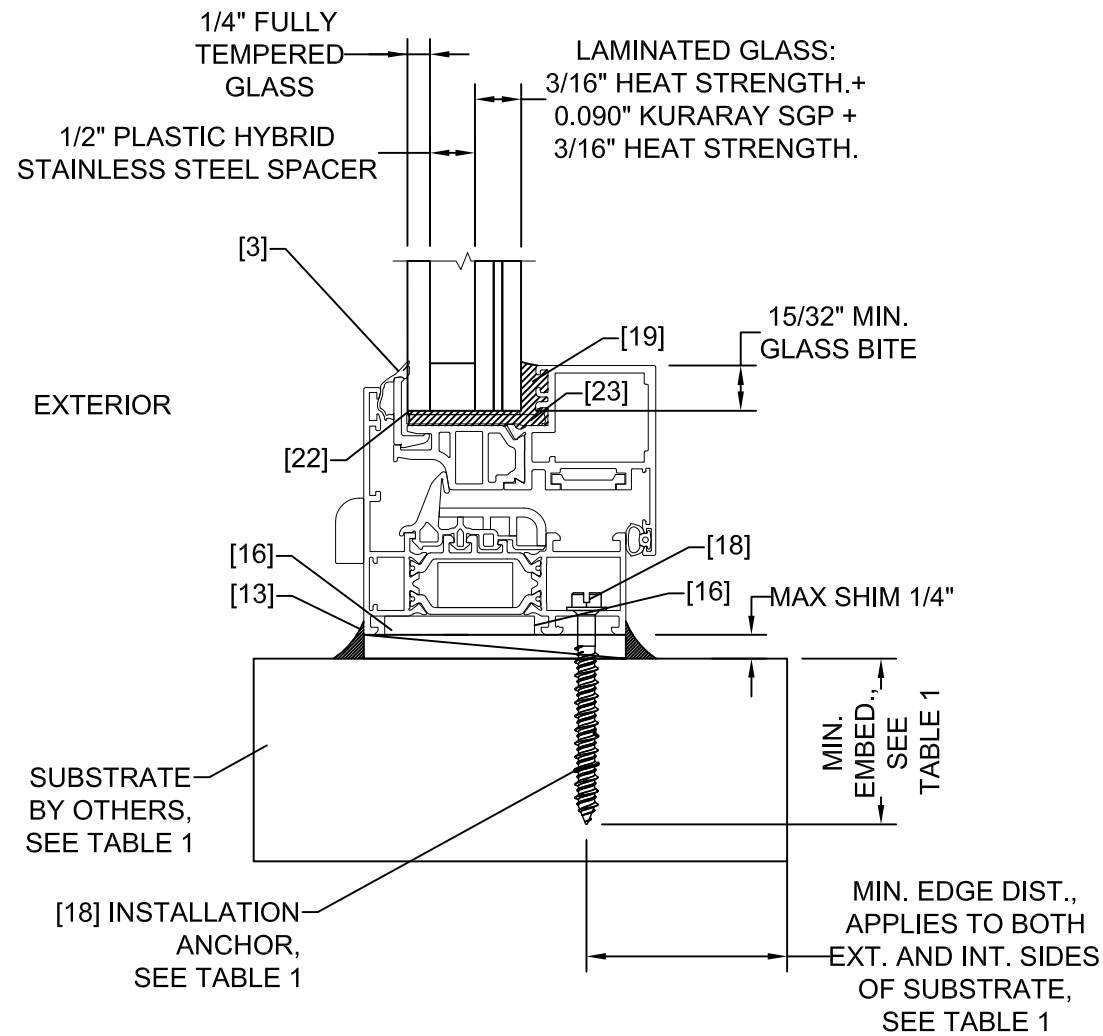
DESIGN PRESSURE RATING, PSF	IMPACT RATING
+60 / -75	LARGE AND SMALL MISSILE IMPACT

**TYP. ELEVATION  
SEE DETAILS SHEET 3**

		12605 Old Hickory Blvd Ste. 100 Antioch, TN 37013 615-200-7843	
		Sheet Title: <b>NOTES, ELEVATION</b>	Date: 6/23/2023
LUXVIEW PROPRIETARY COPYRIGHT 2023 LUXVIEW LLC		Dwg: FPA-TILTTURN70 Sheet: 1 of 3	Rev: 0 Scale: NTS



7/10/2023  
 Lucas A. Turner, P.E.  
 FL PE #58201  
 2428 Old Natchez Trc Trl  
 Camden, TN 38320  
 Ph. 941-380-1574



TYPICAL INSTALLATION AND GLAZING DETAIL

**GENERAL ANCHOR NOTES:**

1. INSTALL ONE ANCHOR AS INDICATED IN DETAIL ON SHEET 2 AT EACH LOCATION SHOWN IN THE ELEVATION ON SHEET 1.
2. INSTALL SHIMS AT EACH ANCHOR LOCATION WHERE A GAP OF 1/16" OR GREATER EXISTS BETWEEN PRODUCT FRAME AND SUBSTRATE.
3. SHIMS SHALL BE LOAD-BEARING (PLASTIC OR METALLIC) AND CAPABLE OF TRANSFERRING LOADS TO SUBSTRATE.
4. SPECIFIED ANCHOR EMBEDMENT TO SUBSTRATE SHALL BE BEYOND WALL FINISH OR STUCCO, BY OTHERS. FOR ATTACHMENT TO METAL SUBSTRATES ENSURE FULL THREAD ENGAGEMENT THROUGH METAL WALL WITH MIN. 3 THREADS BEYOND.
5. FOR MASONRY WITH WOOD BUCKS LESS THAN 1-1/2" THICK, EMBEDMENT SHALL BE BEYOND WOOD BUCKS AND INTO MASONRY. WOOD BUCKS ARE OPTIONAL WITH MASONRY INSTALLATIONS WHERE MASONRY EDGE DISTANCE CONDITIONS ARE MET WITH NO BUCKS. WOOD BUCKS 1-1/2" THICK OR GREATER SHALL HAVE EMBEDMENT INTO THE WOOD BUCKS.
6. ENSURE 4" MIN. ON-CENTER SPACING BETWEEN ANY TWO INSTALLATION ANCHORS.

**TABLE 1: INSTALLATION ANCHOR REQUIREMENTS TABLE**  
NOTE: ALL ANCHORS ARE PAN HEAD OR HEX WASHER HEAD

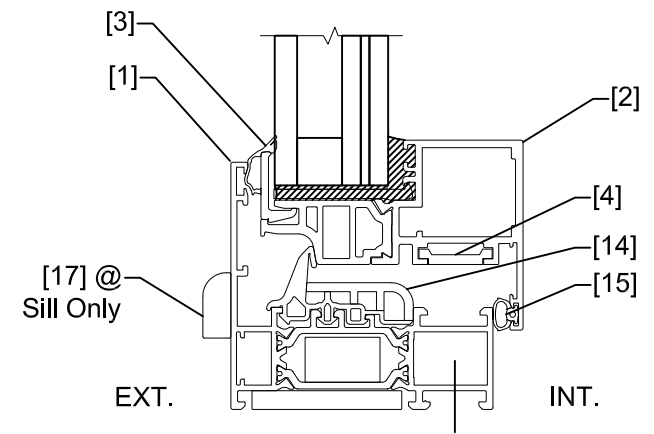
SUBSTRATE TYPE	ANCHOR TYPE	MIN. EMBED.	MIN. EDGE DISTANCE
CONCRETE (3.05 KSI MIN)	1/4" DEWALT ULTRACON+	1-3/8"	1"
GROUT-FILLED CMU (ASTM C-90)	1/4" DEWALT ULTRACON+	1-3/4"	1"
HOLLOW CMU (ASTM C-90)	1/4" DEWALT ULTRACON+	1-1/4"	2-1/2"
2X MIN. SPRUCE-PINE-FIR WOOD (G=0.42 MIN.)	1/4" DEWALT ULTRACON+	1-3/8"	1"
16 GAUGE (0.060") MIN. STEEL STUD, 33KSI YIELD MIN., OR 1/8" ALUM. 6063-T5 MIN.	1/4"-14 HILTI KWIK-FLEX OR ITW TEKS SELF-DRILLING SCREW	FULL + 3 THREADS	1/2"



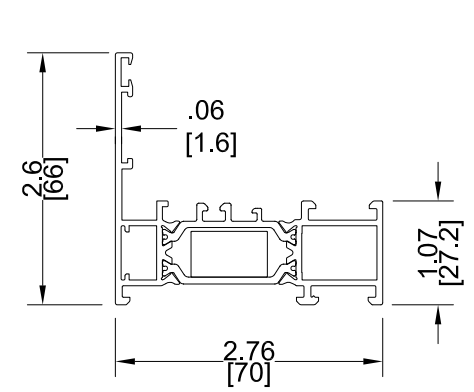
7/10/2023  
Lucas A. Turner, P.E.  
FL PE #58201  
2428 Old Natchez Trc Trl  
Camden, TN 38320  
Ph. 941-380-1574

<b>LUXVIEW</b>		12605 Old Hickory Blvd Ste. 100 Antioch, TN 37013 615-200-7843	
		Sheet Title: <b>ANCHORAGE, GLAZING</b>	Date: 6/23/2023
LUXVIEW PROPRIETARY COPYRIGHT 2023 LUXVIEW LLC	Dwg: FPA-TILTTURN70 Sheet: 2 of 3	Rev: 0	Scale: NTS

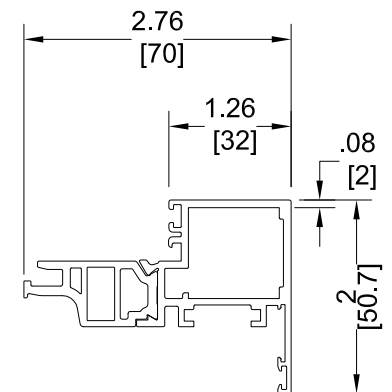
Tag	Part #	Part Name	Material Type
1	LUX-TT70-0001	Perimeter Frame	6063-T5 Alum w/ Polyamide Strut
2	LUX-TT70-0002	Sash Frame	6063-T5 Alum w/ Polyamide Strut
3	LUX-GZB-0002	Sash Glazing Bead	6063-T5 Alum
4	LUX-HDL-0001	Connecting Strap	Aluminum
5	LUX-HDL-0002	Locking Pin	Stainless Steel
6	LUX-HDL-0003	Locking Pin	Stainless Steel
7	LUX-HDL-0004	Reinforced Locking Point	Stainless Steel
8	LUX-HDL-0005	Supplemental Angle Kit	Alum. Body w/ Stainless Steel Pin
9	LUX-HDL-0006	TNT Friction Stay	Alum. Body w/ Stainless Steel Pin
10	LUX-PRK-0005	Frame Block	Plastic
11	LUX-HDL-0007	Supplemental Friction Stay	Aluminum
12	LUX-HIN-0001	Concealed Hinge Kit	Cast Aluminum Body
13	DOW795	Silicone	Silicone
14	LUX-GKT-0007	Central Gasket	EPDM
15	LUX-GKT-0008	Inner Gasket	EPDM
16	LUX-GKT-0009	Insulating Foam, 5x40mm	Closed Cell Foam
17	LUX-COV-0001	Drainage Cover	Plastic
18	-	Installation Anchor, See Table 1	Carbon Steel
19	DOW995	Silicone	Silicone
20	LUX-HDL-0008	Secondary Kit	Alum. Body w/ Stainless Steel Pin
21	LUX-HDL-0009	Handle	Cast Alum
22	LUX-PRK-0006	1mm Packer	Plastic
23	LUX-PRK-0007	Aluminum Glazing Wedge	Aluminum
24	LUX-CLT-0012	Sash Primary Cleat	Cast Alum
25	LUX-CLT-0013	Sash Secondary Cleat	Cast Alum
26	LUX-CLT-0002	Frame Primary Cleat	Cast Alum
27	LUX-CLT-0003	Frame Secondary Cleat	Cast Alum
28	LUX-CLT-0014	Frame Alignment Cleat	Cast Alum
29	LUX-CLT-0015	Sash Alignment Cleat	Cast Alum



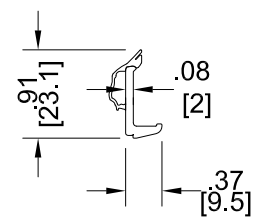
**SECTION A**  
TYPICAL SECTION DETAIL



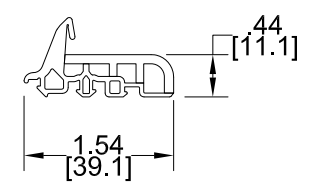
[1]



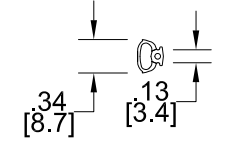
[2]



[3]



[14]



[15]

**LUXVIEW**

12605 Old Hickory Blvd Ste. 100  
Antioch, TN 37013  
615-200-7843

Sheet Title: <b>DETAIL, BOM, PART DRAWINGS</b>		Date: 6/23/2023
LUXVIEW PROPRIETARY COPYRIGHT 2023 LUXVIEW LLC	Dwg: FPA-TILTTURN70 Sheet: 3 of 3	Rev: 0 Scale: NTS



7/10/2023  
Lucas A. Turner, P.E.  
FL PE #58201  
2428 Old Natchez Trc Trl  
Camden, TN 38320  
Ph. 941-380-1574