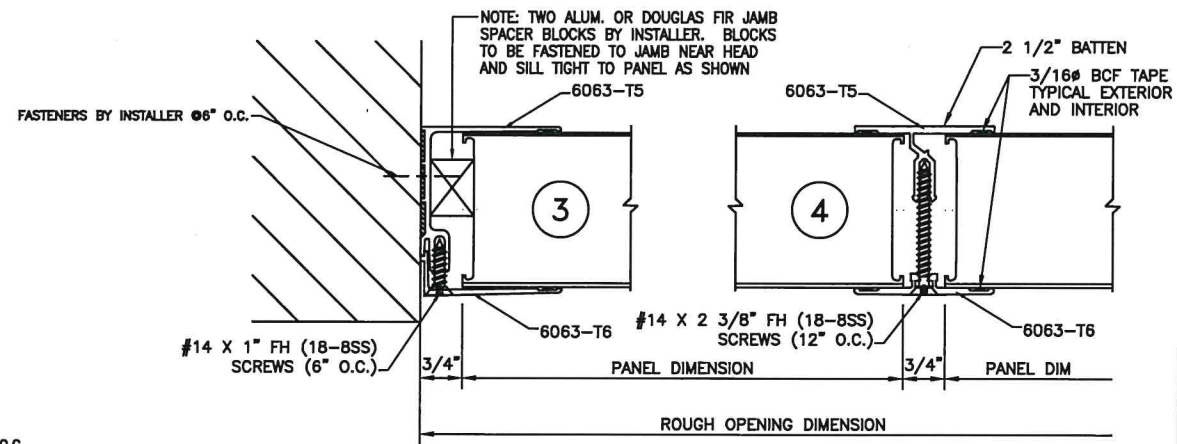


WALL ELEVATION (1) REQ'D

- GENERAL NOTES:
1. THIS PRODUCT HAS BEEN EVALUATED AND IS IN COMPLIANCE WITH THE 2020 FLORIDA BUILDING CODE "7TH EDITION" (FBC) STRUCTURAL REQUIREMENTS INCLUDING THE "HIGH VELOCITY HURRICANE ZONE" (HVHZ).
 2. THE SYSTEM DETAILED HEREIN IS GENERIC AND DOES NOT PROVIDE INFORMATION FOR SITE SPECIFIC. WHERE SITE SPECIFIC DOCUMENTS ARE REQUIRED, A LICENSED ENGINEER OR REGISTERED ARCHITECT SHALL PERFORM ANALYSIS AND PREPARE SITE SPECIFIC DOCUMENTS FOR VARIATIONS IN SIZE, SHAPE, LAYOUT, ADDITIONAL FRAMING, ETC. AND SHALL BE USED IN CONJUNCTION WITH THIS DOCUMENT.
 3. INSTALLER TO SET HEAD, SILL, AND JAMB IN A CONTINUOUS BED OF CAULKING, AND ISOLATE ALUMINUM FROM DISSIMILAR METALS TO PREVENT ELECTROLYSIS.
 4. THE KALWALL WALL SYSTEM IS DESIGNED TO BE INSTALLED ONTO A MINIMUM 2 1/2" WIDE BEARING SURFACE FOR PROPER SYSTEM PERFORMANCE. THIS SURFACE MUST BE CAPABLE OF WITHSTANDING ALL LOADS FROM THE KALWALL SYSTEM.



SUGGESTED FASTENERS		
CURB TYPE	FASTENER *	MAX SPACING
WOOD	#14 R.H. S.S. - 4" LG.	6" O.C.
STEEL	#14 R.H. S.S. - 1" LG.	6" O.C.
CONCRETE	1/4" X 3 1/4" POWER STUD CAT #7404	6" O.C.

* NOT SUPPLIED BY KALWALL UNLESS INSTALLED BY KALWALL

REV.	DATE	DESCRIPTION	DRAWN BY	CHECKED BY
2	9/15/20	UPDATE TO 2020 FBC "7TH EDITION"	DT	
1	10/2/17	UPDATE TO 2017 FBC "6TH EDITION"	DT	HWS

DRAWINGS ISSUED BY KALWALL® CORP. ILLUSTRATE THE COMPLETE SCOPE OF WORK TO BE PERFORMED BY KALWALL. IF SCOPE OF WORK DOES NOT INCLUDE INSTALLATION, JOINT SYSTEMS AND METHODS FOR JOINING KALWALL PANEL TO KALWALL PANEL AND KALWALL PANEL TO BUILDING ARE SUGGESTED SYSTEMS AND METHODS ONLY AND WHERE AS WE BELIEVE THEY ARE ENTIRELY SATISFACTORY, THEY ARE SUGGESTED ONLY AND NO WARRANTY IS EXPRESSED OR IMPLIED. APPROVAL OF THESE DRAWINGS ACKNOWLEDGES THESE FACTS AND AUTHORIZES MANUFACTURE OF ALL ITEMS AS SHOWN AND DIMENSIONED.

PROJECT: FLORIDA PRODUCT APPROVAL SYSTEM FASTENERS-WALLS

LOCATION:

ARCHITECT:

ARCHITECT APPROVAL

DATE:

CUSTOMER APPROVAL

DATE:

ORDER NO. REL NO.

DRAWN BY: DATE: DT 04/10/12

CHECKED BY: DATE: PROJ.CRD.

DRAWING NO. SHEET NO. FL4230 B 1 OF

NOTE:
INSTALLER TO SET HEAD, SILL AND JAMB IN A CONTINUOUS BED OF CAULKING, AND ISOLATE ALUMINUM FROM DISSIMILAR METALS TO PREVENT ELECTROLYSIS.

THE KALWALL WALL SYSTEM IS DESIGNED TO BE INSTALLED ONTO A MINIMUM 2 1/2" WIDE BEARING SURFACE FOR PROPER SYSTEM PERFORMANCE. THIS SURFACE MUST BE CAPABLE OF WITHSTANDING ALL LOADS FROM THE KALWALL SYSTEM.