

REVISIONS			
REV	DESCRIPTION	DATE	APPROVED

NOTES:

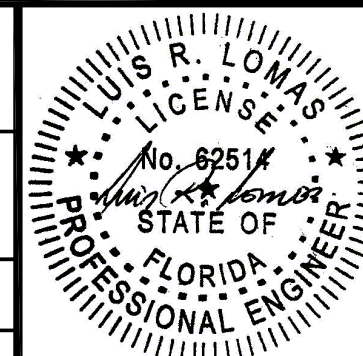
1. THE PRODUCT SHOWN HEREIN IS DESIGNED AND MANUFACTURED TO COMPLY WITH REQUIREMENTS OF THE FLORIDA BUILDING CODE INCLUDING THE HVHZ.
2. WOOD FRAMING, METAL STRUCTURE AND MASONRY OPENING TO BE DESIGNED AND ANCHORED TO PROPERLY TRANSFER ALL LOADS TO STRUCTURE. FRAMING AND MASONRY OPENING IS THE RESPONSIBILITY OF THE ARCHITECT OR ENGINEER OF RECORD.
3. WHERE SHIM OR BUCK THICKNESS IS LESS THAN 1-1/2" UNITS MUST BE ANCHORED THROUGH THE FRAME IN ACCORDANCE WITH MANUFACTURER'S PUBLISHED INSTALLATION INSTRUCTIONS. ANCHORS SHALL BE SECURELY FASTENED DIRECTLY INTO MASONRY, CONCRETE OR OTHER STRUCTURAL SUBSTRATE MATERIAL.
4. WHERE WOOD BUCK THICKNESS IS 1-1/2" OR GREATER, BUCK SHALL BE SECURELY FASTENED TO MASONRY, CONCRETE OR OTHER STRUCTURAL SUBSTRATE. UNITS MAY BE ANCHORED THROUGH FRAME TO SECURED WOOD BUCK IN ACCORDANCE WITH MANUFACTURER'S PUBLISHED INSTALLATION INSTRUCTIONS.
5. WHERE 1X BUCK IS NOT USED DISSIMILAR MATERIALS MUST BE SEPARATED WITH APPROVED COATING OR MEMBRANE. SELECTION OF COATING OR MEMBRANE IS THE RESPONSIBILITY OF THE ARCHITECT OR ENGINEER OF RECORD.
6. BUCKS SHALL EXTEND BEYOND UNIT FRAME INTERIOR FACE SO THAT FULL FRAME SUPPORT IS PROVIDED.
7. SHIM AS NEEDED AT EACH ANCHOR LOCATION WITH LOAD BEARING SHIM. SHIM WHERE SPACE OF 1/16" OR GREATER OCCURS. MAXIMUM ALLOWABLE SHIM STACK TO BE 1/4".
8. SHIMS SHALL BE LOCATED, APPLIED AND MADE FROM MATERIALS AND THICKNESS CAPABLE OF SUSTAINING APPLICABLE LOADS.
9. WIND LOAD DURATION FACTOR Cd=1.6 WAS USED FOR WOOD ANCHOR CALCULATIONS.
10. FRAME MATERIAL: EXTRUDED RIGID PVC.
11. UNITS MUST BE GLAZED PER ASTM E1300, SEE SHEET 2 FOR GLASS DETAILS.
12. APPROVED IMPACT PROTECTIVE SYSTEM IS NOT REQUIRED FOR THIS PRODUCT IN WIND BORNE DEBRIS REGIONS.

13. FOR ANCHORING THROUGH FIN INTO WOOD FRAMING OR 2X BUCK USE #8 WOOD SCREWS WITH SUFFICIENT LENGTH TO ACHIEVE A 3/4" MINIMUM EMBEDMENT INTO SUBSTRATE. LOCATE ANCHORS AS SHOWN IN ELEVATIONS AND INSTALLATION DETAILS.
14. FOR ANCHORING THROUGH FIN INTO METAL STRUCTURE USE #8 SMS OR SELF DRILLING SCREWS WITH SUFFICIENT LENGTH TO ACHIEVE 3 THREADS MINIMUM BEYOND STRUCTURE INTERIOR WALL. LOCATE ANCHORS AS SHOWN IN ELEVATIONS AND INSTALLATION DETAILS.
15. FOR ANCHORING THROUGH FRAME INTO WOOD FRAMING OR 2X BUCK USE #10 WOOD SCREWS WITH SUFFICIENT LENGTH TO ACHIEVE A 1 1/4" MINIMUM EMBEDMENT INTO SUBSTRATE. LOCATE ANCHORS AS SHOWN IN ELEVATIONS AND INSTALLATION DETAILS.
16. FOR ANCHORING THROUGH FRAME INTO MASONRY/CONCRETE USE 3/16" TAPCONS WITH SUFFICIENT LENGTH TO ACHIEVE A 1 1/4" MINIMUM EMBEDMENT INTO SUBSTRATE WITH 2" MINIMUM EDGE DISTANCE. LOCATE ANCHORS AS SHOWN IN ELEVATIONS AND INSTALLATION DETAILS.
17. FOR ANCHORING THROUGH FRAME INTO METAL STRUCTURE USE #10 SMS OR SELF DRILLING SCREWS WITH SUFFICIENT LENGTH TO ACHIEVE 3 THREADS MINIMUM BEYOND STRUCTURE INTERIOR WALL. LOCATE ANCHORS AS SHOWN IN ELEVATIONS AND INSTALLATION DETAILS.
18. ALL FASTENERS TO BE CORROSION RESISTANT.
19. INSTALLATION ANCHORS SHALL BE INSTALLED IN ACCORDANCE WITH ANCHOR MANUFACTURER'S INSTALLATION INSTRUCTIONS AND ANCHORS SHALL NOT BE USED IN SUBSTRATES WITH STRENGTHS LESS THAN THE MINIMUM STRENGTH SPECIFIED BELOW:
 - 19.1. WOOD: MINIMUM SPECIFIC GRAVITY OF G=0.42
 - 19.2. CONCRETE: MINIMUM COMPRESSIVE STRENGTH OF 2,000 PSI.
 - 19.3. MASONRY: HOLLOW/FILLED BLOCK PER ASTM C90 WITH Fm=2,000PSI MINIMUM.
 - 19.4. METAL STRUCTURE: STEEL 18GA (.048") FY=33KSI/FU=52KSI OR ALUMINUM 6063-T5 FU=30KSI 1/8" THICK MINIMUM

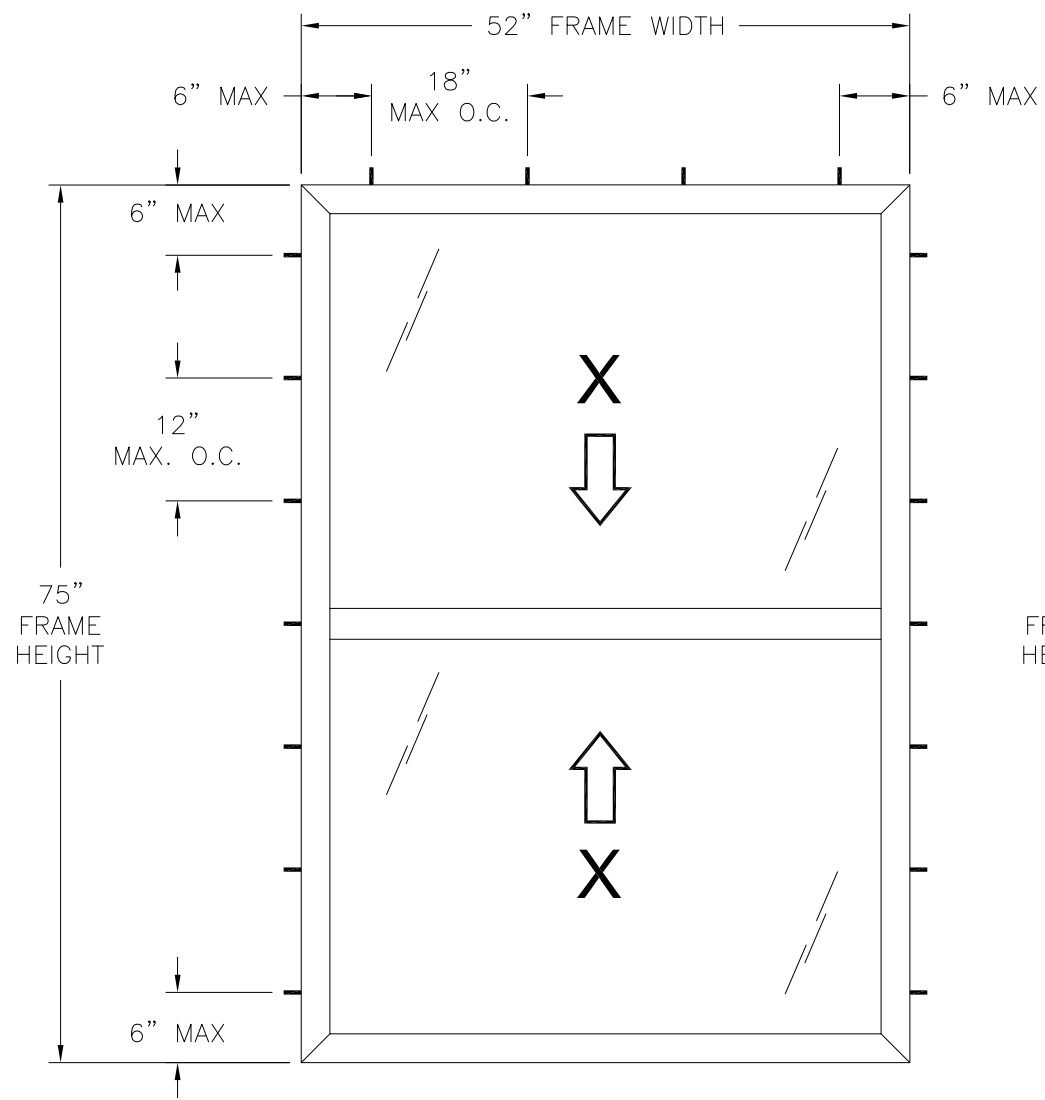
SIGNED: 04/01/2024

TABLE OF CONTENTS	
SHEET NO.	DESCRIPTION
1	NOTES
2	ELEVATIONS AND GLAZING DETAILS
3 - 10	INSTALLATION DETAILS
11	COMPONENTS

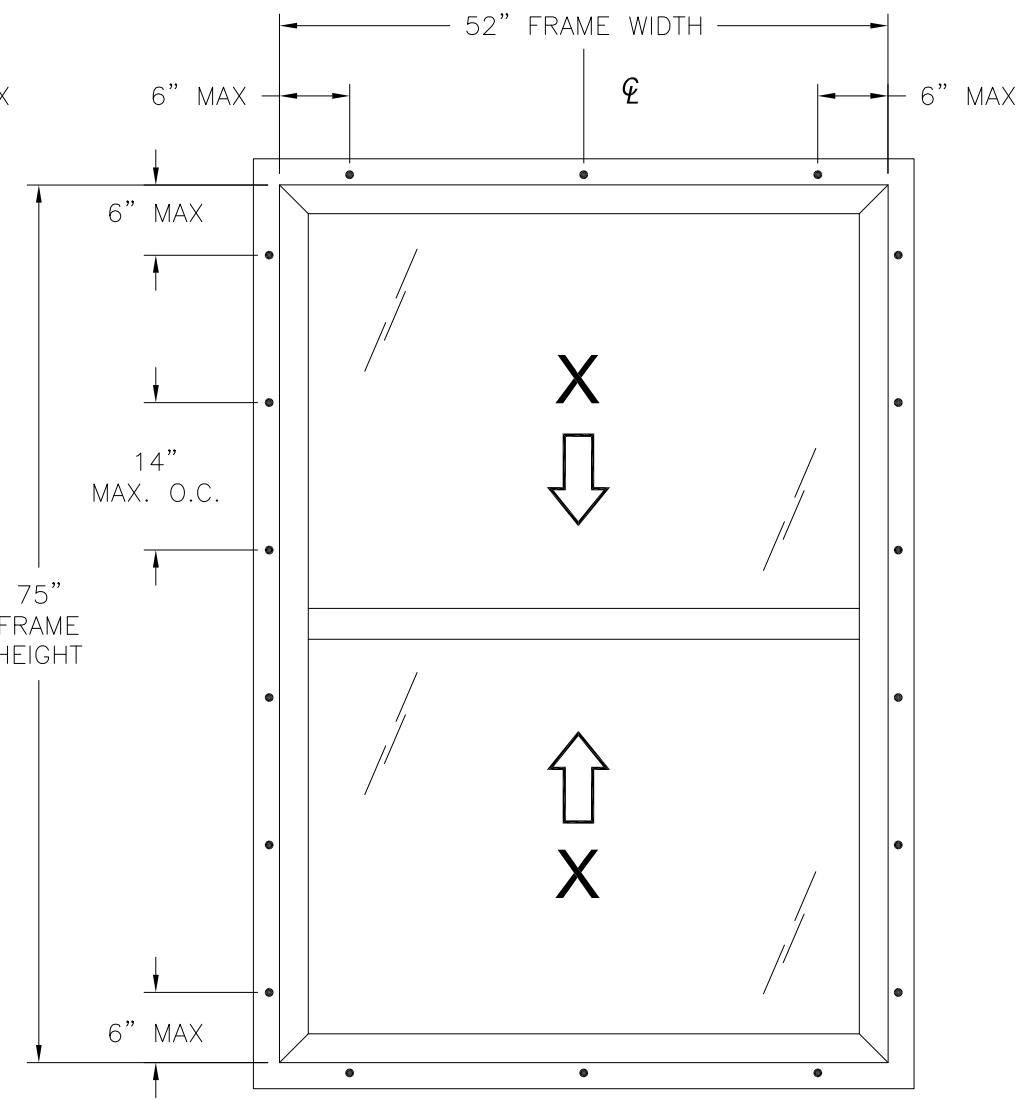
			EASTERN ARCHITECTURAL SYSTEMS A DIVISION OF EASTERN METAL SUPPLY 16341 DOMESTIC AVE FORT MYERS, FL 33912 800-432-2204		
SERIES "279.043" VINYL DOUBLE HUNG WINDOW IMPACT NOTES					
DRAWN:		DWG NO.		REV	
A.R.		08-03977		-	
SCALE NTS		DATE 11/23/2023		SHEET 1 OF 11	
L. ROBERTO LOMAS P.E. 208 7th Ave, INDIALANTIC, FL 32903 434-688-0609 rllomas@rlomaspe.com					



Luis R. Lomas P.E.
FL No.: 62514

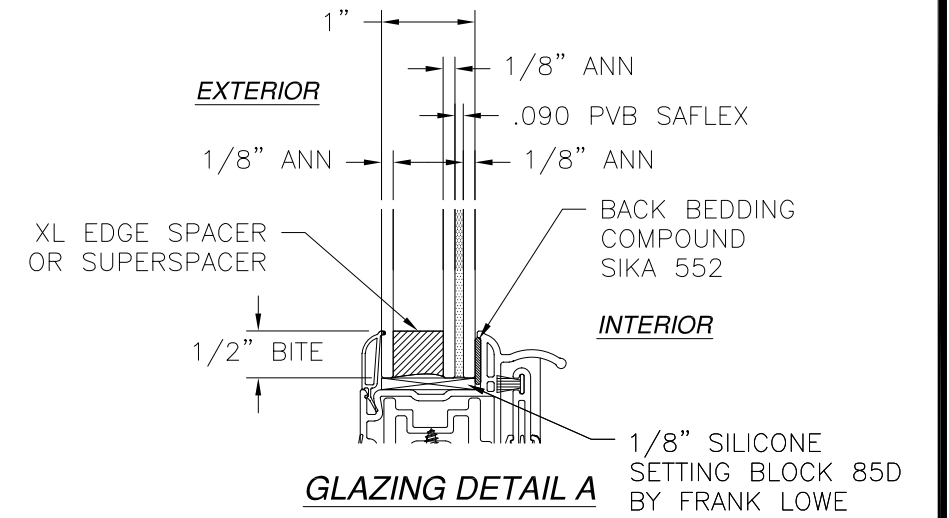


SERIES "279.043" VINYL DOUBLE HUNG WINDOW
EXTERIOR VIEW
FINLESS INSTALLATION

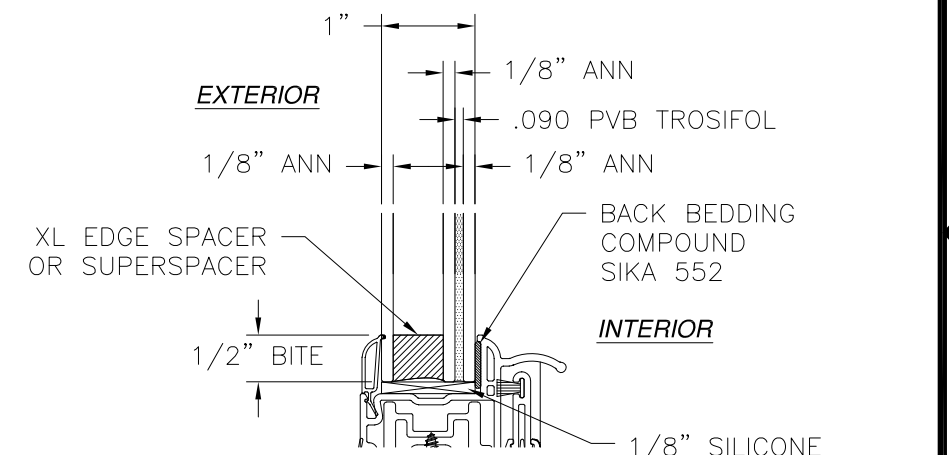


SERIES "279.043" VINYL DOUBLE HUNG WINDOW
EXTERIOR VIEW
FIN INSTALLATION

REVISIONS			
REV	DESCRIPTION	DATE	APPROVED



GLAZING DETAIL A



GLAZING DETAIL B

WITH SILL EXTENSION 10005131

DESIGN PRESSURE RATING	IMPACT RATING
±50.0PSF	LARGE MISSILE IMPACT

MISSILE LEVEL D, WIND ZONE 4 AND HVHZ

WITH SILL EXTENSION 10005139

DESIGN PRESSURE RATING	IMPACT RATING
±60.0PSF	LARGE MISSILE IMPACT

MISSILE LEVEL D, WIND ZONE 4 AND HVHZ

HARDWARE SCHEDULE

A.	(4) BALANCE ASSEMBLY & SHOE, 2 PER JAMB
B.	(2) METAL KEEPERS, 7" FROM EACH END OF RAIL
C.	(2) METAL CAM LOCKS, 8" FROM EACH END OF RAIL
D.	(2) PLASTIC ROUTED IN TILT LATCHES AT TOP SASH TOP RAIL
E.	(2) RECESSED TILT LATCHES AT BOTTOM SASH LOCK RAIL
F.	(4) STAINLESS STEEL STAMPED PIVOT BARS, 2 PER JAMB
G.	(2) VENT STOP AT TOP SASH STILES
H.	(2) RECESSED TILT SASH THUMB BUTTON AT BOTTOM SASH LOCK RAIL
I.	ALUMINUM REINFORCEMENT 6005-T5 (10300266) AT LOCK RAIL
J.	ALUMINUM REINFORCEMENT 6005-T5 (10300159) AT TOP LIFT RAIL AND KEEPER/ BOTTOM LIFT RAIL
K.	ALUMINUM REINFORCEMENT 6005-T5 (10300166) AT STILES

NOTES:

1. TOP SASH SIZE: 47 9/16" X 27 1/2"
2. BOTTOM SASH SIZE: 48 9/16" X 36 7/8"
3. TOP D.L.O.: 44 5/8" X 32 7/8"
4. BOTTOM D.L.O.: 45 5/8" X 33 7/8"



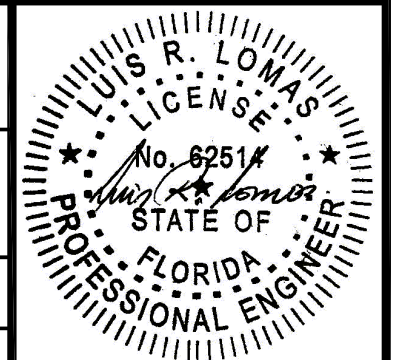
EASTERN ARCHITECTURAL SYSTEMS
A DIVISION OF
EASTERN METAL SUPPLY
16341 DOMESTIC AVE
FORT MYERS, FL 33912
800-432-2204

SERIES "279.043" VINYL DOUBLE HUNG WINDOW
IMPACT
ELEVATIONS & GLAZING DETAIL

DRAWN: A.R.	DWG NO. 08-03977	REV -
SCALE NTS	DATE 11/23/2023	SHEET 2 OF 11

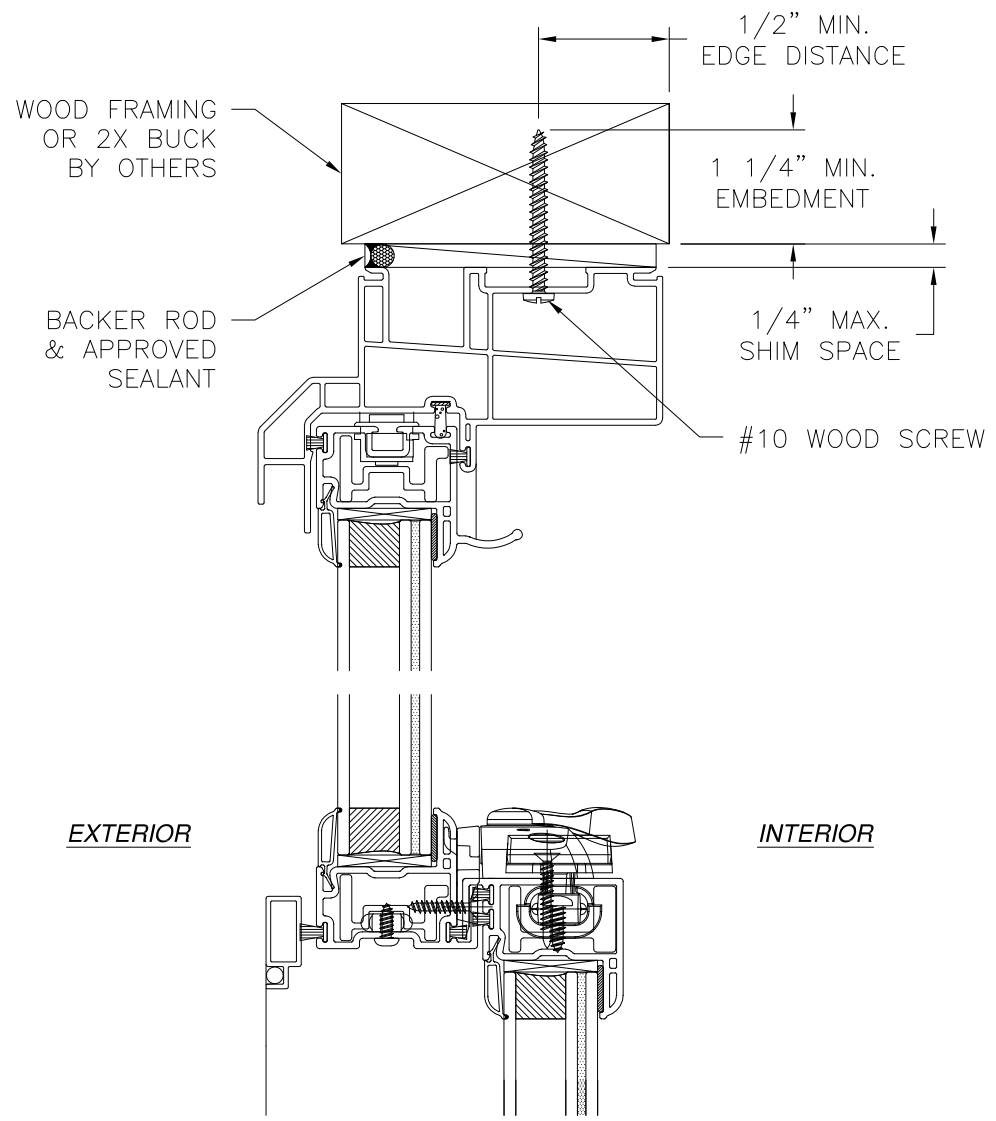
L. ROBERTO LOMAS P.E.
 208 7th Ave, INDIALANTIC, FL 32903
 434-688-0609 rllomas@rlomaspe.com

SIGNED: 04/01/2024

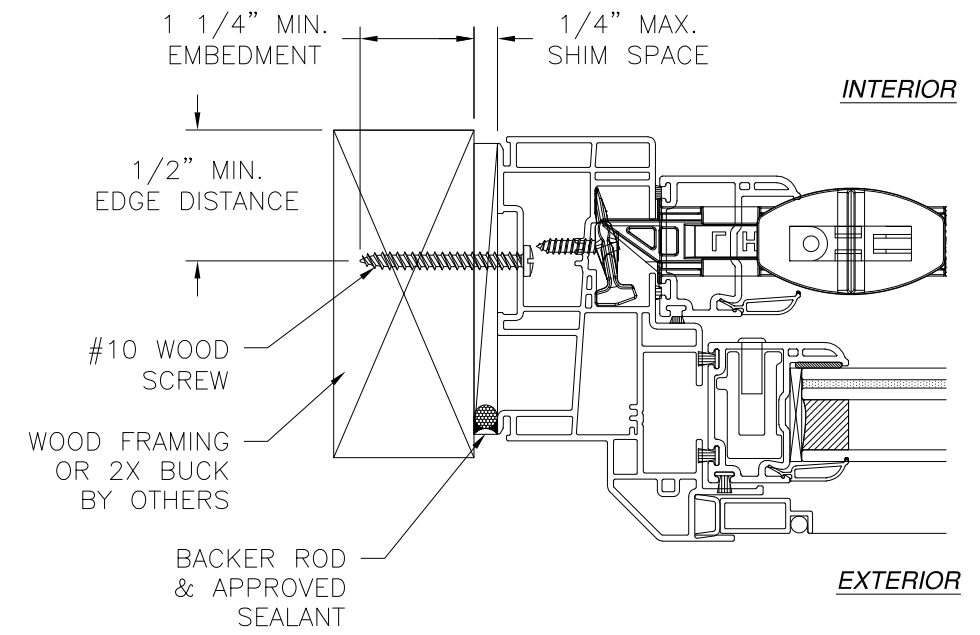


Luis R. Lomas P.E.
FL No.: 62514

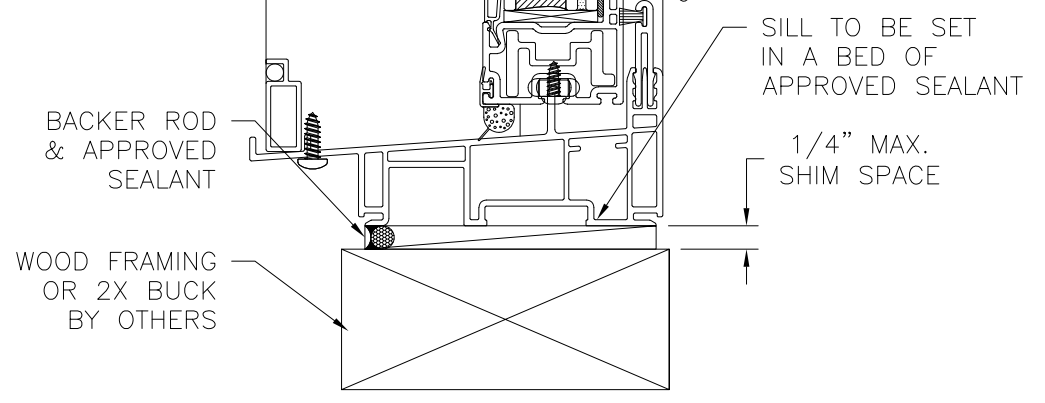
REVISIONS			
REV	DESCRIPTION	DATE	APPROVED



VERTICAL CROSS SECTION
WOOD FRAMING OR 2X BUCK INSTALLATION



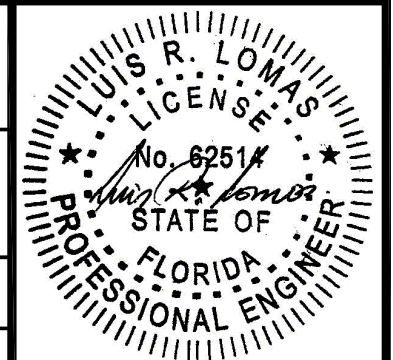
JAMB INSTALLATION DETAIL
WOOD FRAMING OR 2X BUCK INSTALLATION



- NOTES:**
1. INTERIOR AND EXTERIOR FINISHES, BY OTHERS, NOT SHOWN FOR CLARITY.
 2. PERIMETER AND JOINT SEALANT BY OTHERS TO BE DESIGNED IN ACCORDANCE WITH ASTM E2112

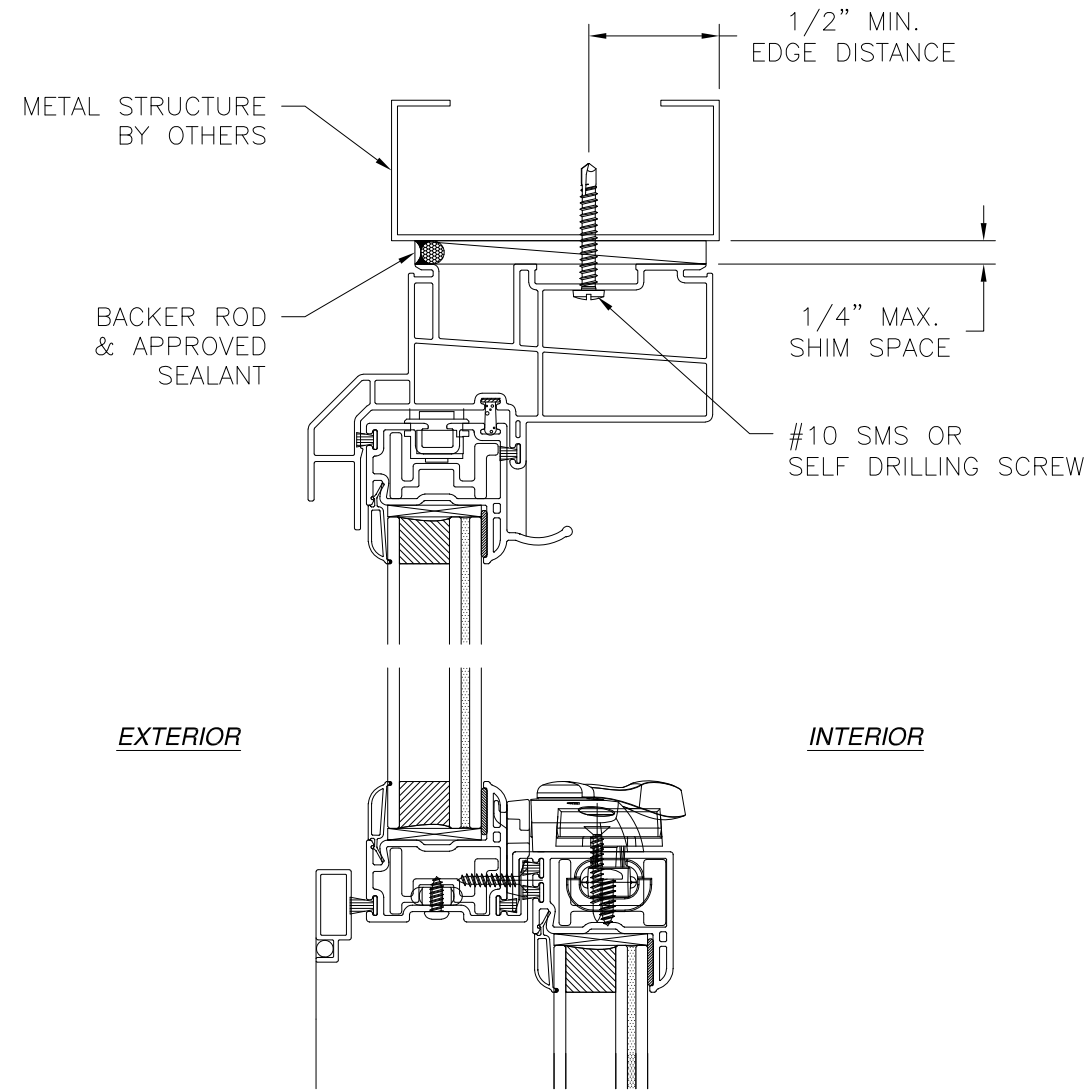
SIGNED: 04/01/2024

			EASTERN ARCHITECTURAL SYSTEMS A DIVISION OF EASTERN METAL SUPPLY 16341 DOMESTIC AVE FORT MYERS, FL 33912 800-432-2204		
SERIES "279.043" VINYL DOUBLE HUNG WINDOW IMPACT FINLESS INSTALLATION DETAILS					
DRAWN: A.R.		DWG NO. 08-03977		REV -	
SCALE NTS		DATE 11/23/2023		SHEET 3 OF 11	
L. ROBERTO LOMAS P.E. 208 7th Ave, INDIALANTIC, FL 32903 434-688-0609 rllomas@lrlomaspe.com					

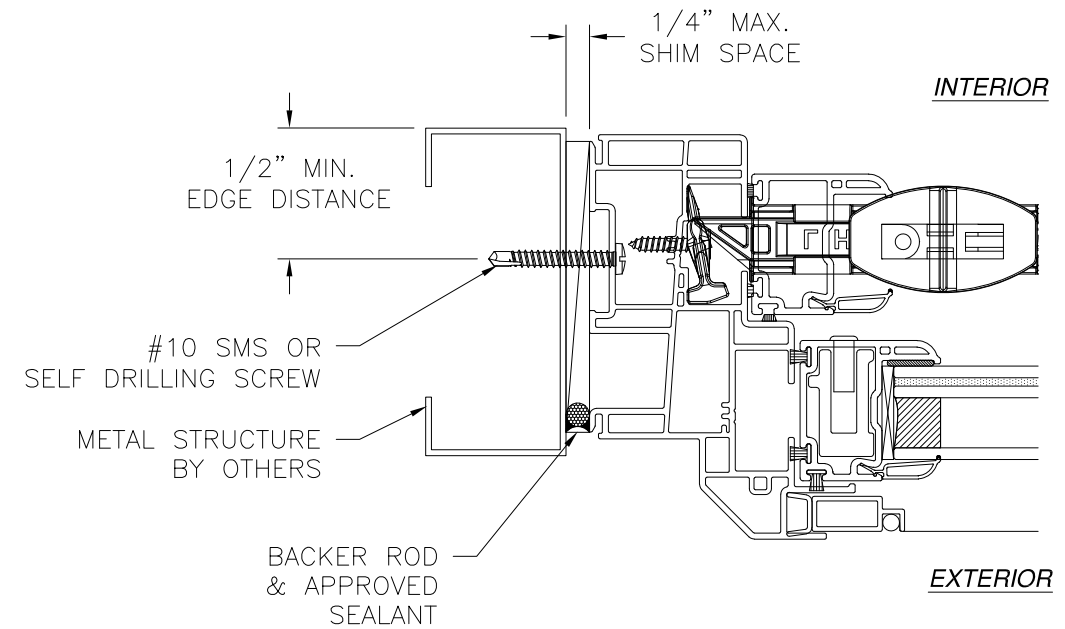


Luis R. Lomas P.E.
FL No.: 62514

REVISIONS			
REV	DESCRIPTION	DATE	APPROVED



VERTICAL CROSS SECTION
METAL STRUCTURE INSTALLATION



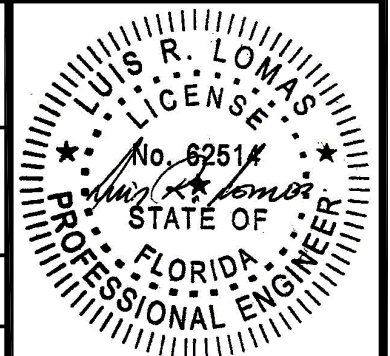
JAMB INSTALLATION DETAIL
METAL STRUCTURE INSTALLATION

NOTES:

1. INTERIOR AND EXTERIOR FINISHES, BY OTHERS, NOT SHOWN FOR CLARITY.
2. PERIMETER AND JOINT SEALANT BY OTHERS TO BE DESIGNED IN ACCORDANCE WITH ASTM E2112

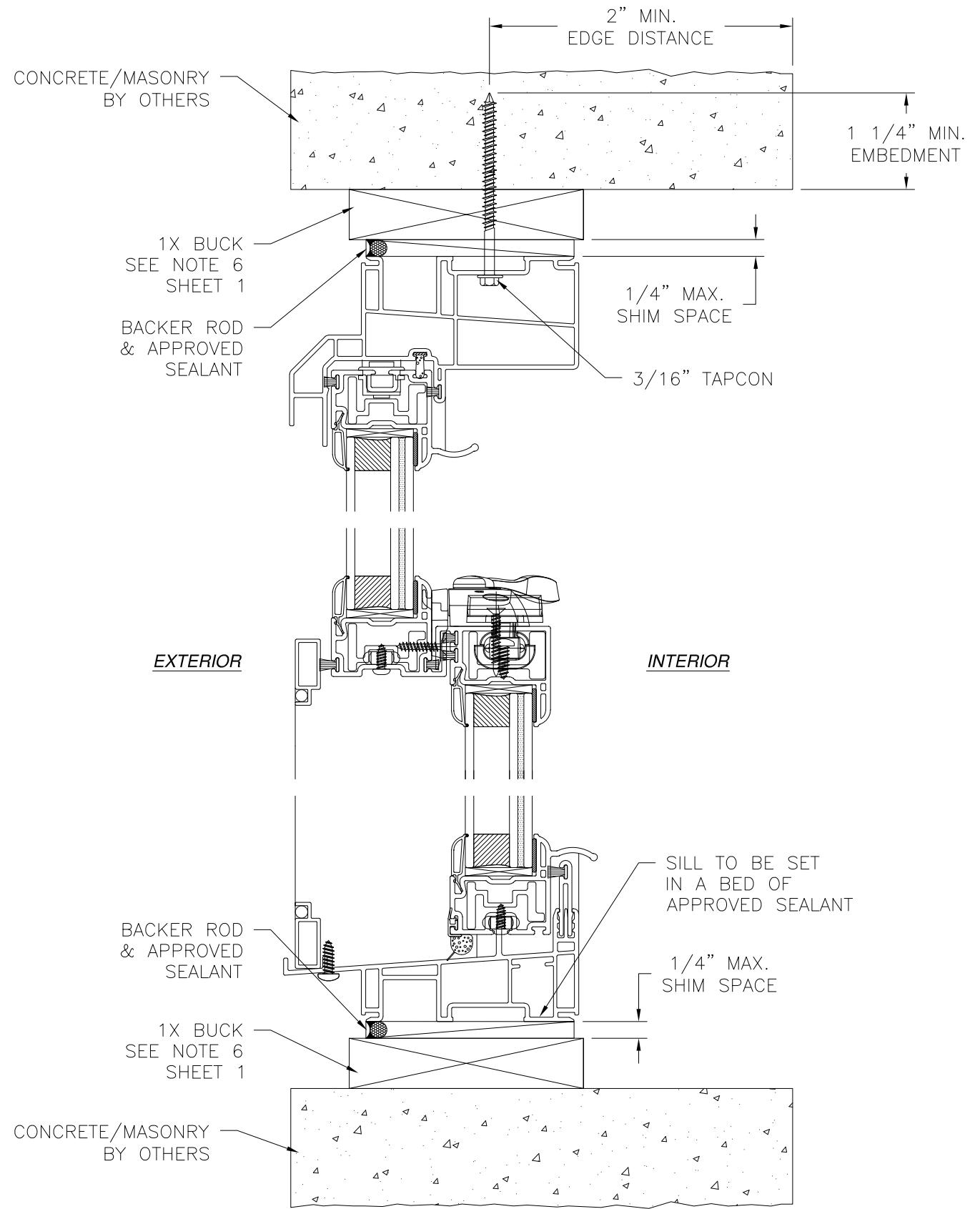
SIGNED: 04/01/2024

		EASTERN ARCHITECTURAL SYSTEMS A DIVISION OF EASTERN METAL SUPPLY 16341 DOMESTIC AVE FORT MYERS, FL 33912 800-432-2204	
SERIES "279.043" VINYL DOUBLE HUNG WINDOW IMPACT FINLESS INSTALLATION DETAILS			
DRAWN: A.R.	DWG NO. 08-03977	REV -	
SCALE NTS	DATE 11/23/2023	SHEET 4 OF 11	
L. ROBERTO LOMAS P.E. 208 7th Ave, INDIALANTIC, FL 32903 434-688-0609 rllomas@lrlomaspe.com			

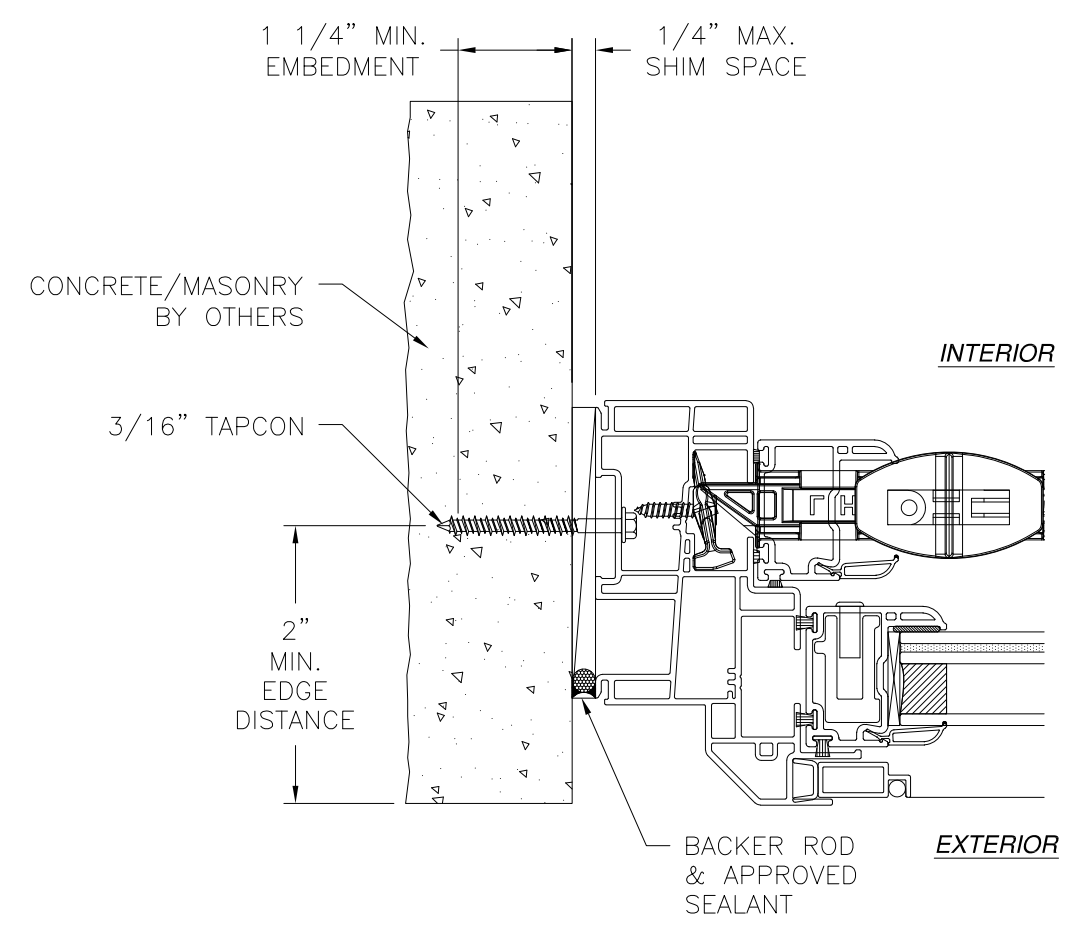


Luis R. Lomas P.E.
FL No.: 62514

REVISIONS			
REV	DESCRIPTION	DATE	APPROVED



VERTICAL CROSS SECTION
 CONCRETE/MASONRY WITH 1X BUCK INSTALLATION
 FOR CONCRETE/MASONRY WITHOUT 1X BUCK REFER TO
 JAMB INSTALLATION DETAIL

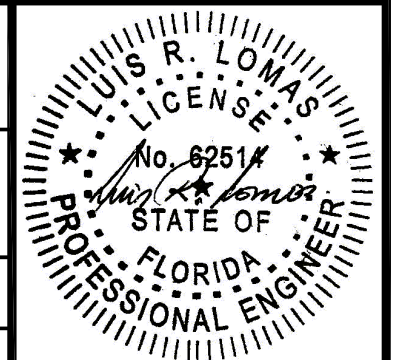


JAMB INSTALLATION DETAIL
 CONCRETE/MASONRY WITHOUT 1X BUCK INSTALLATION
 FOR CONCRETE/MASONRY WITH 1X BUCK REFER TO
 HEAD AND SILL INSTALLATION DETAILS

- NOTES:**
1. INTERIOR AND EXTERIOR FINISHES, BY OTHERS, NOT SHOWN FOR CLARITY.
 2. PERIMETER AND JOINT SEALANT BY OTHERS TO BE DESIGNED IN ACCORDANCE WITH ASTM E2112

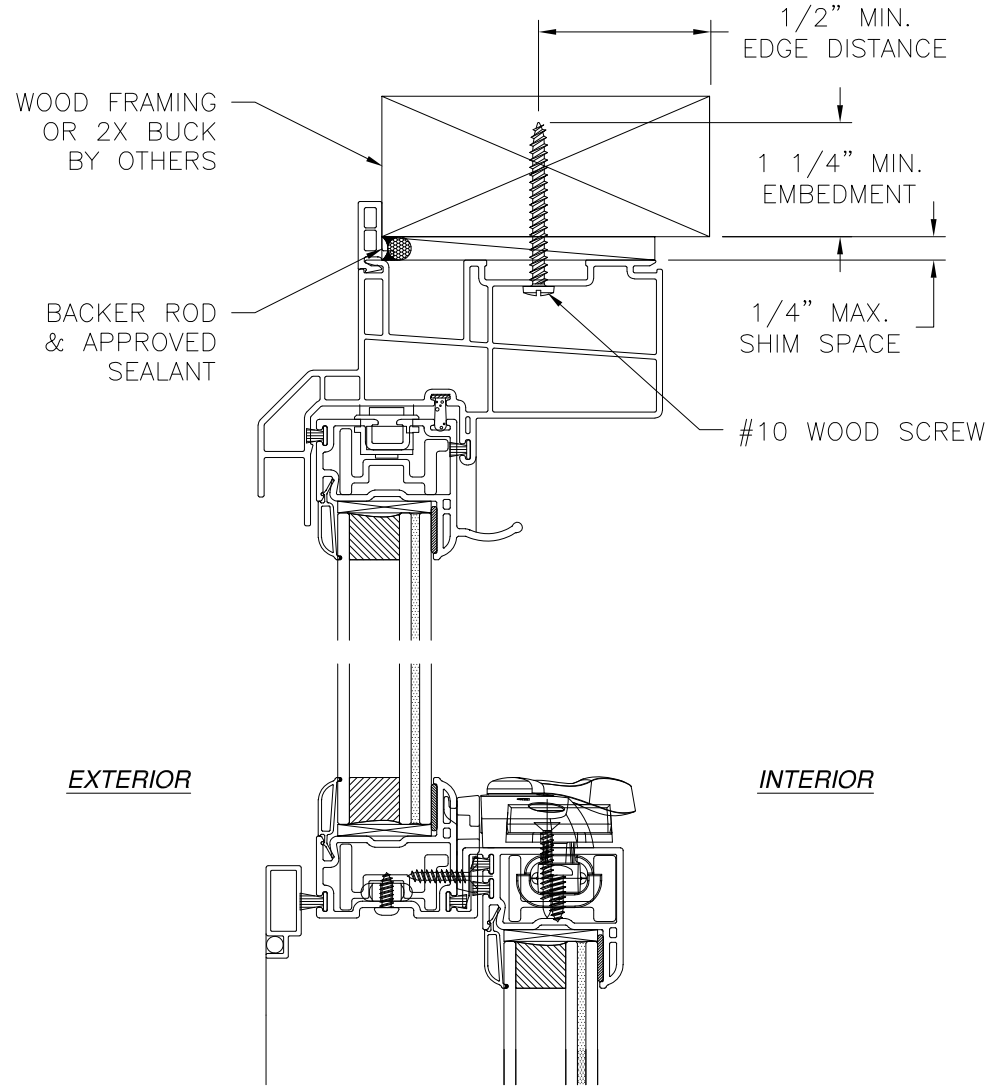
SIGNED: 04/01/2024

		EASTERN ARCHITECTURAL SYSTEMS A DIVISION OF EASTERN METAL SUPPLY 16341 DOMESTIC AVE FORT MYERS, FL 33912 800-432-2204	
SERIES "279.043" VINYL DOUBLE HUNG WINDOW IMPACT FINLESS INSTALLATION DETAILS			
DRAWN: A.R.	DWG NO. 08-03977	REV -	
SCALE NTS	DATE 11/23/2023	SHEET 5 OF 11	
L. ROBERTO LOMAS P.E. 208 7th Ave, INDIALANTIC, FL 32903 434-688-0609 rllomas@rlomaspe.com			

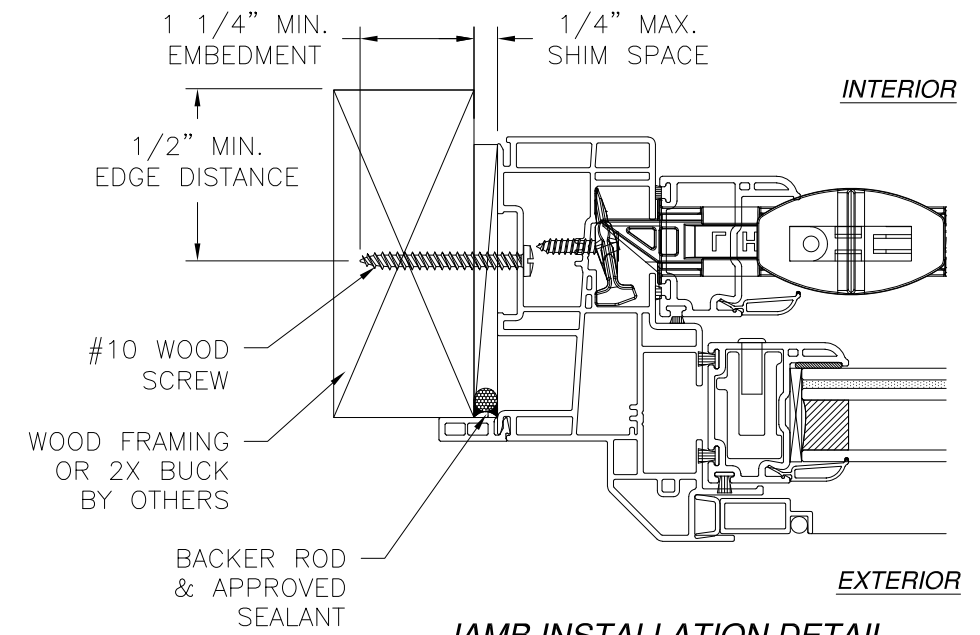


Luis R. Lomas P.E.
 FL No.: 62514

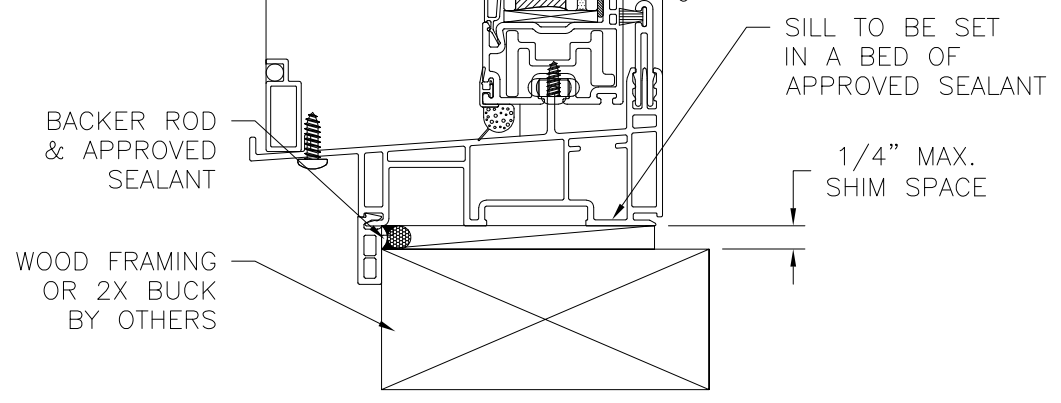
REVISIONS			
REV	DESCRIPTION	DATE	APPROVED



VERTICAL CROSS SECTION
WOOD FRAMING OR 2X BUCK INSTALLATION



JAMB INSTALLATION DETAIL
WOOD FRAMING OR 2X BUCK INSTALLATION

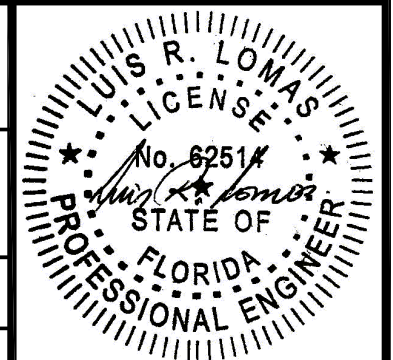


VERTICAL CROSS SECTION
WOOD FRAMING OR 2X BUCK INSTALLATION

- NOTES:**
1. INTERIOR AND EXTERIOR FINISHES, BY OTHERS, NOT SHOWN FOR CLARITY.
 2. PERIMETER AND JOINT SEALANT BY OTHERS TO BE DESIGNED IN ACCORDANCE WITH ASTM E2112

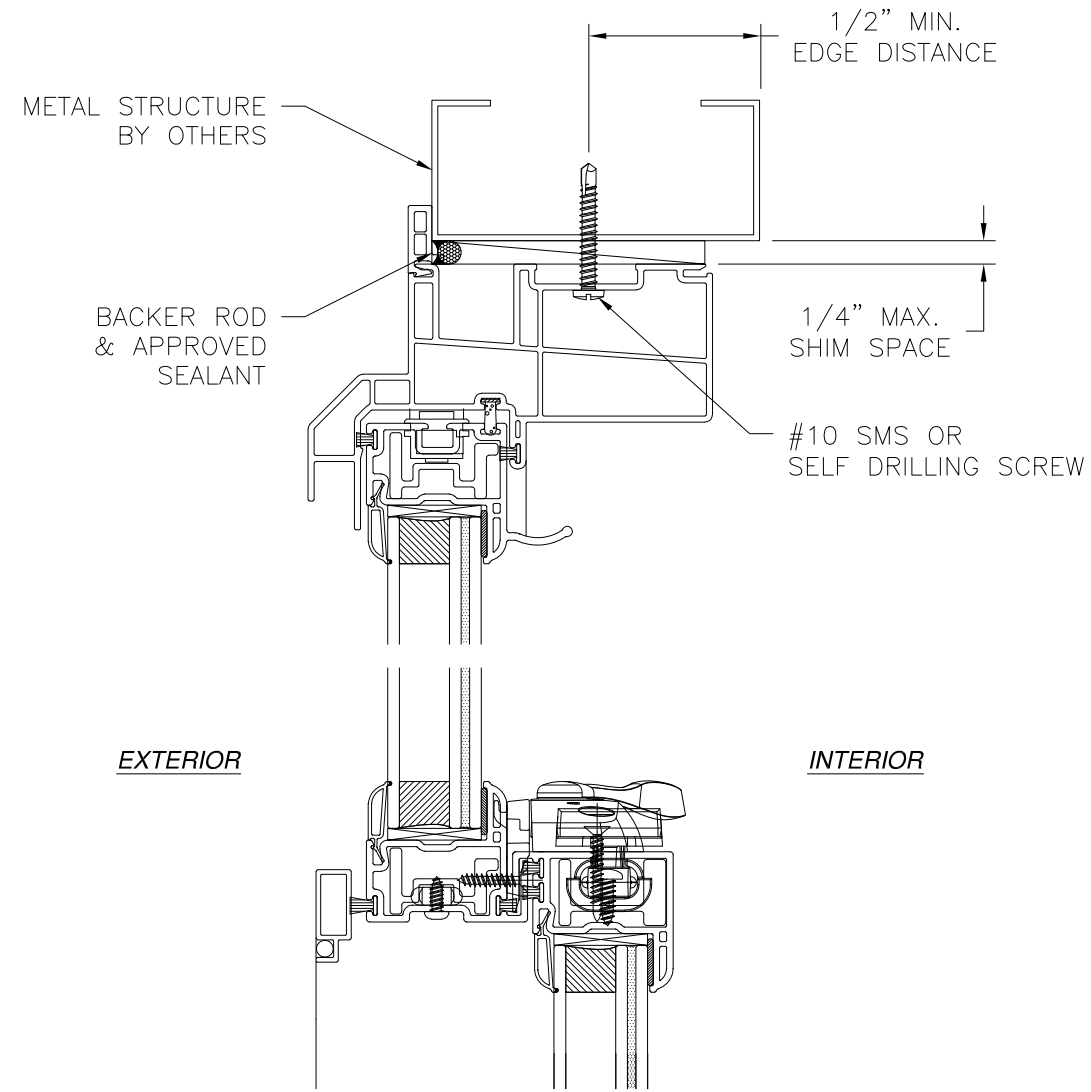
SIGNED: 04/01/2024

		EASTERN ARCHITECTURAL SYSTEMS A DIVISION OF EASTERN METAL SUPPLY 16341 DOMESTIC AVE FORT MYERS, FL 33912 800-432-2204	
SERIES "279.043" VINYL DOUBLE HUNG WINDOW IMPACT FLANGE INSTALLATION DETAILS			
DRAWN: A.R.	DWG NO. 08-03977	REV -	
SCALE NTS	DATE 11/23/2023	SHEET 6 OF 11	
L. ROBERTO LOMAS P.E. 208 7th Ave, INDIALANTIC, FL 32903 434-688-0609 rllomas@rlomaspe.com			

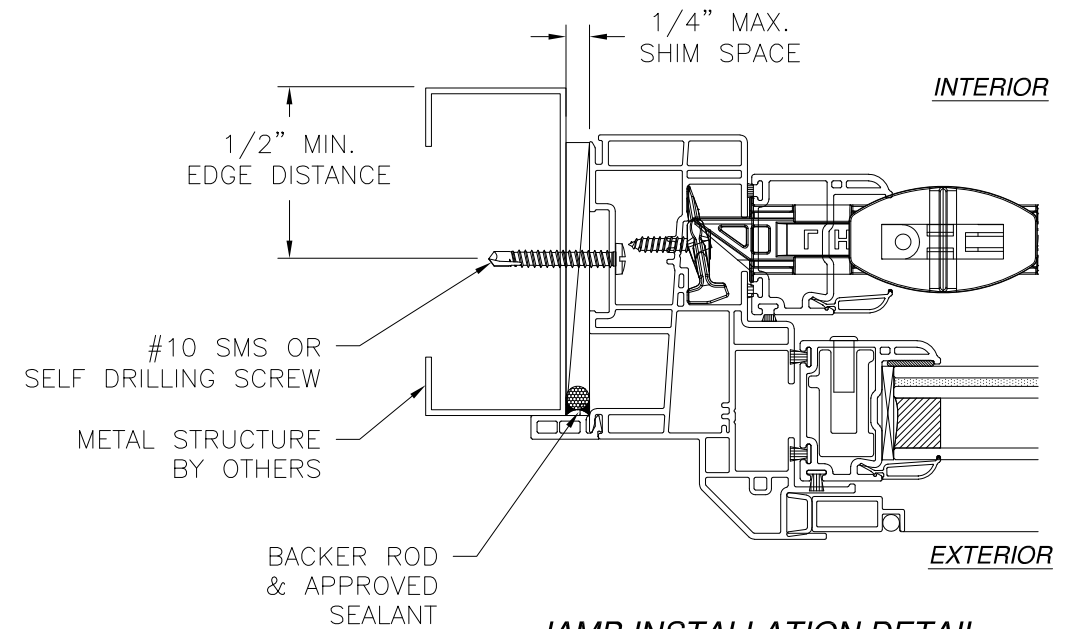


Luis R. Lomas P.E.
FL No.: 62514

REVISIONS			
REV	DESCRIPTION	DATE	APPROVED



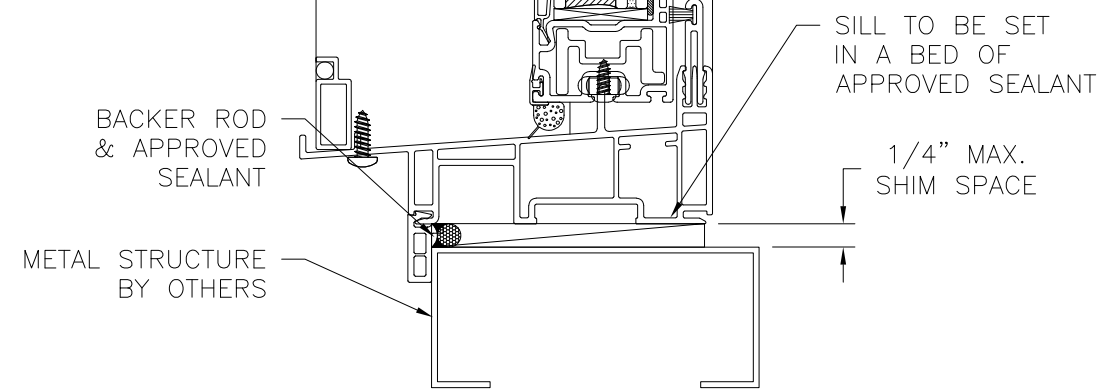
VERTICAL CROSS SECTION
METAL STRUCTURE INSTALLATION



JAMB INSTALLATION DETAIL
METAL STRUCTURE INSTALLATION

NOTES:

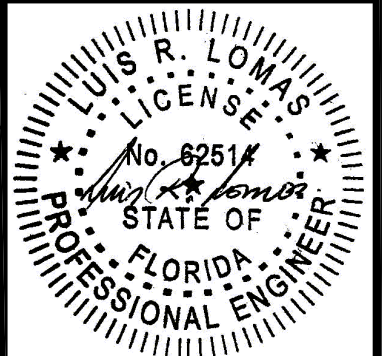
1. INTERIOR AND EXTERIOR FINISHES, BY OTHERS, NOT SHOWN FOR CLARITY.
2. PERIMETER AND JOINT SEALANT BY OTHERS TO BE DESIGNED IN ACCORDANCE WITH ASTM E2112



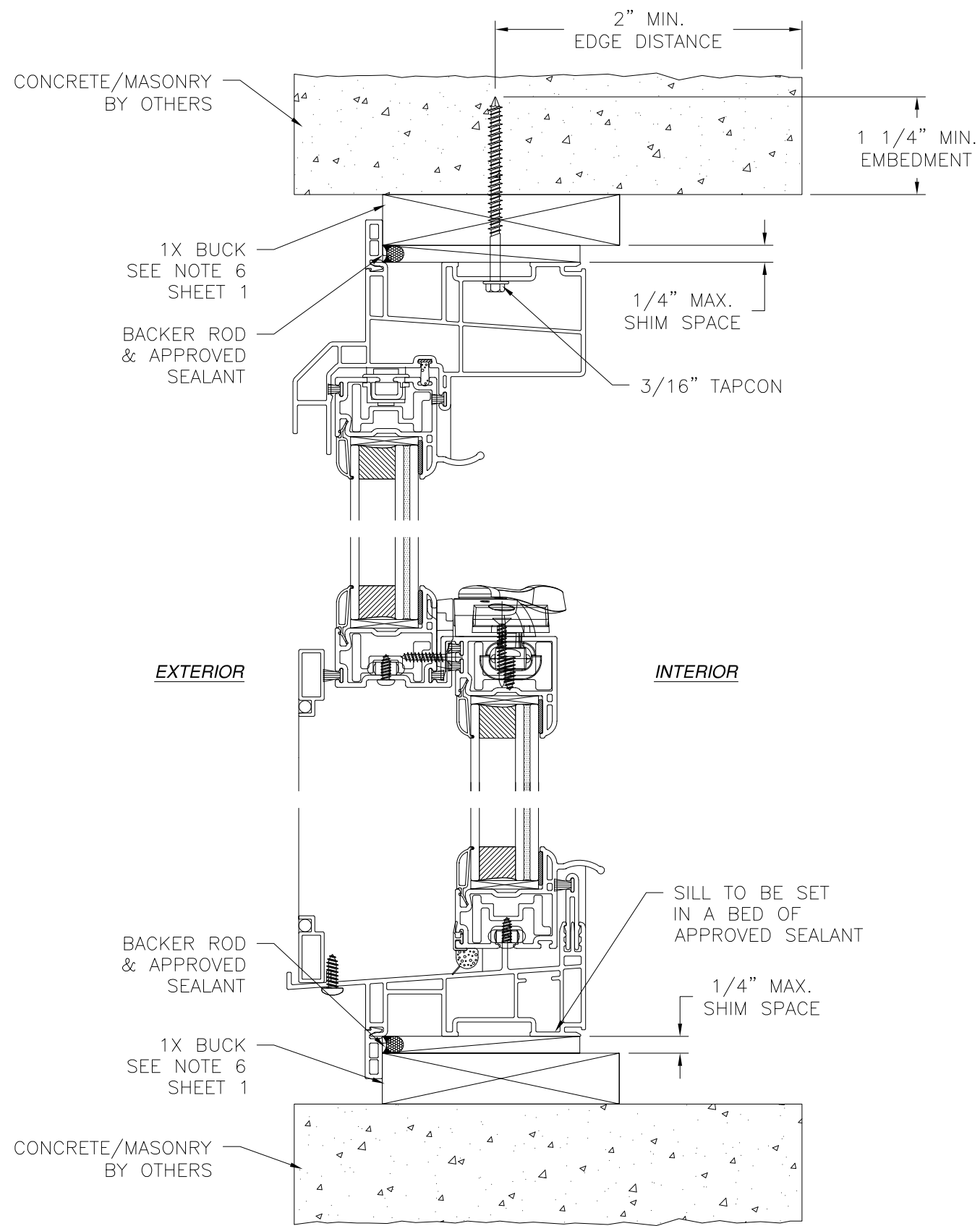
VERTICAL CROSS SECTION
METAL STRUCTURE INSTALLATION

SIGNED: 04/01/2024

		EASTERN ARCHITECTURAL SYSTEMS A DIVISION OF EASTERN METAL SUPPLY 16341 DOMESTIC AVE FORT MYERS, FL 33912 800-432-2204	
SERIES "279.043" VINYL DOUBLE HUNG WINDOW IMPACT FLANGE INSTALLATION DETAILS			
DRAWN: A.R.	DWG NO. 08-03977	REV -	
SCALE NTS	DATE 11/23/2023	SHEET 7 OF 11	
L. ROBERTO LOMAS P.E. 208 7th Ave, INDIALANTIC, FL 32903 434-688-0609 rllomas@lrlomaspe.com			

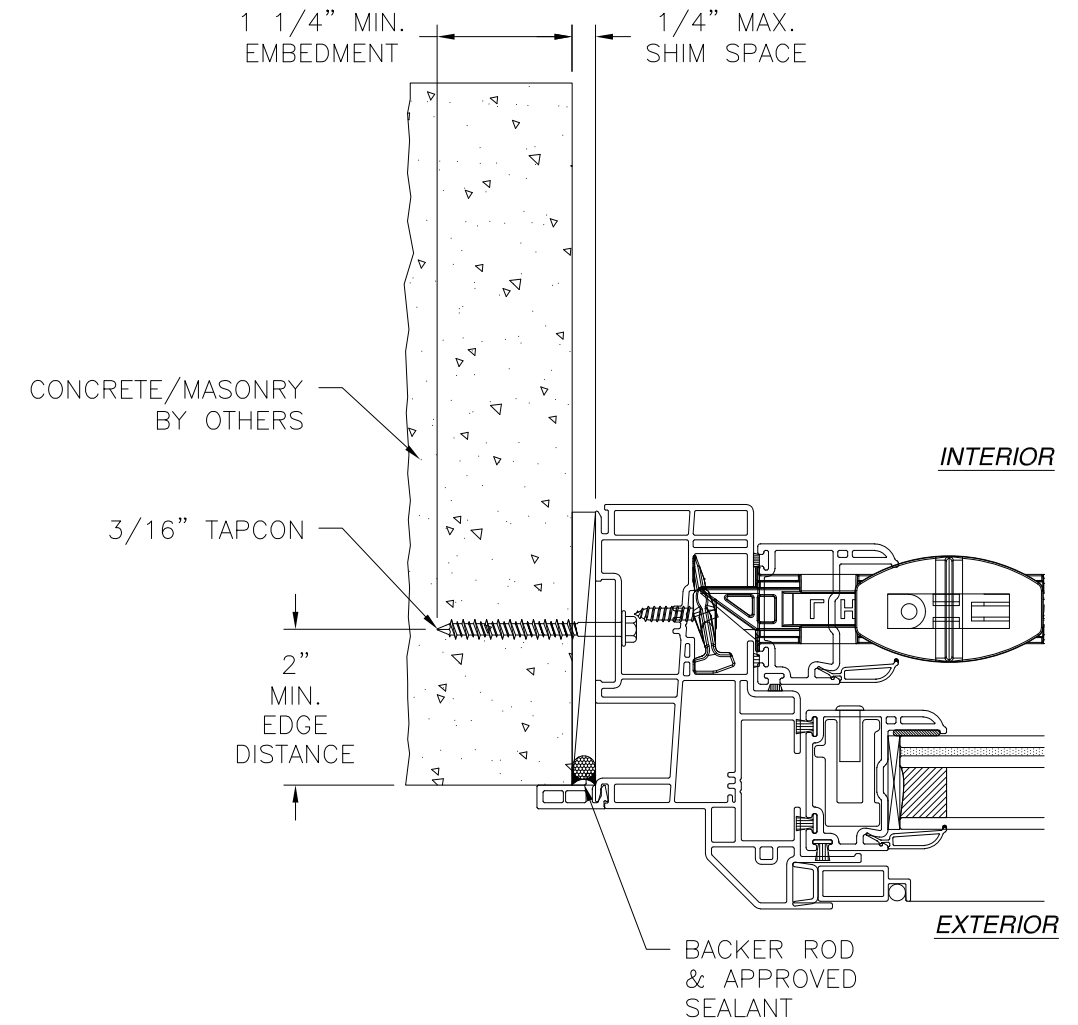


Luis R. Lomas P.E.
FL No.: 62514



VERTICAL CROSS SECTION
 CONCRETE/MASONRY WITH 1X BUCK INSTALLATION
 FOR CONCRETE/MASONRY WITHOUT 1X BUCK REFER TO
 JAMB INSTALLATION DETAIL

REVISIONS			
REV	DESCRIPTION	DATE	APPROVED

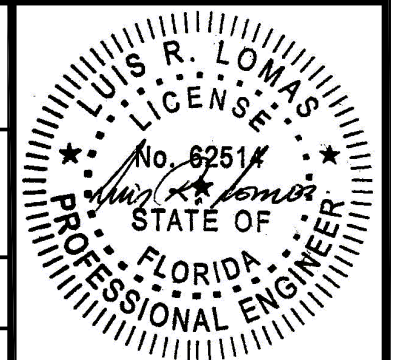


JAMB INSTALLATION DETAIL
 CONCRETE/MASONRY WITHOUT 1X BUCK INSTALLATION
 FOR CONCRETE/MASONRY INSTALLATION WITH 1X BUCK REFER TO
 HEAD AND SILL INSTALLATION DETAILS

- NOTES:**
1. INTERIOR AND EXTERIOR FINISHES, BY OTHERS, NOT SHOWN FOR CLARITY.
 2. PERIMETER AND JOINT SEALANT BY OTHERS TO BE DESIGNED IN ACCORDANCE WITH ASTM E2112

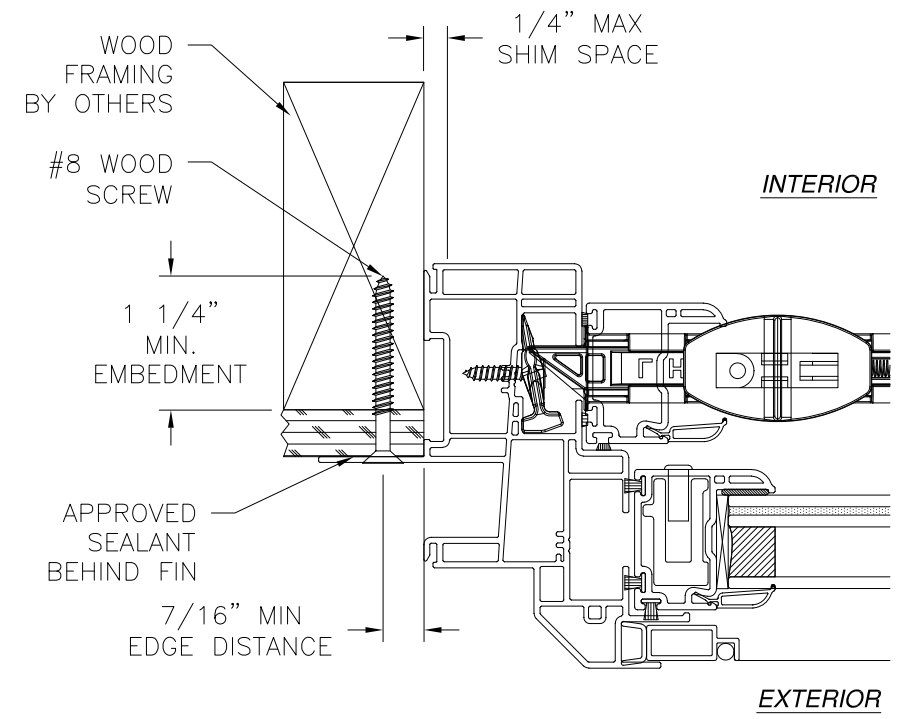
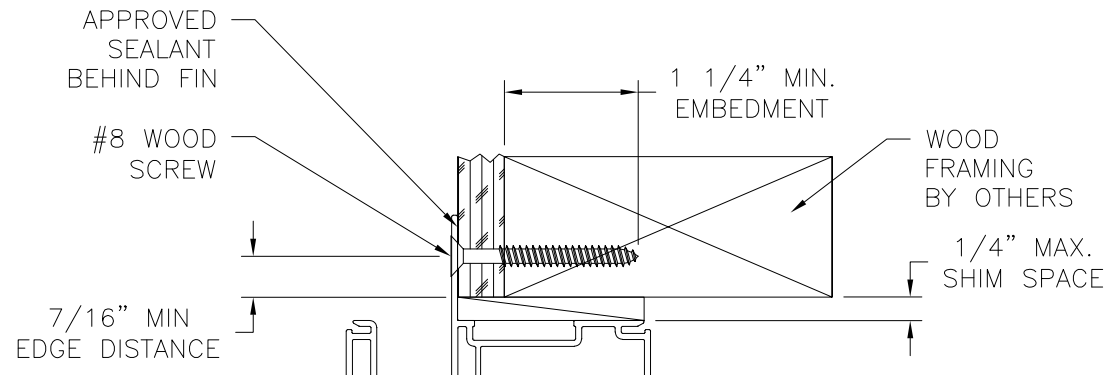
SIGNED: 04/01/2024

		EASTERN ARCHITECTURAL SYSTEMS A DIVISION OF EASTERN METAL SUPPLY 16341 DOMESTIC AVE FORT MYERS, FL 33912 800-432-2204	
SERIES "279.043" VINYL DOUBLE HUNG WINDOW IMPACT FLANGE INSTALLATION DETAILS			
DRAWN: A.R.	DWG NO. 08-03977	REV -	
SCALE NTS	DATE 11/23/2023	SHEET 8 OF 11	
L. ROBERTO LOMAS P.E. 208 7th Ave, INDIALANTIC, FL 32903 434-688-0609 rllomas@lrlomaspe.com			



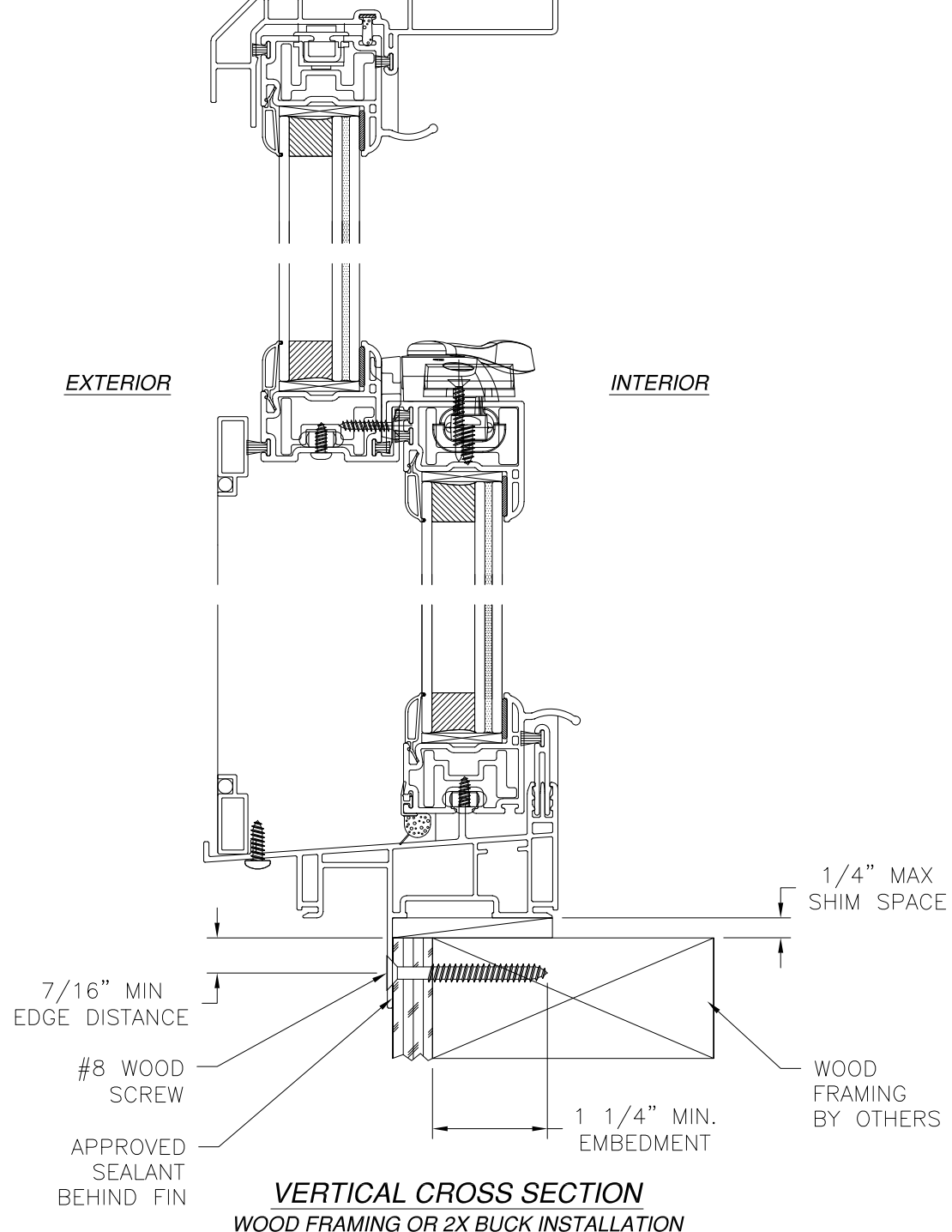
Luis R. Lomas P.E.
 FL No.: 62514

REVISIONS			
REV	DESCRIPTION	DATE	APPROVED



JAMB INSTALLATION DETAIL
WOOD FRAMING OR 2X BUCK INSTALLATION

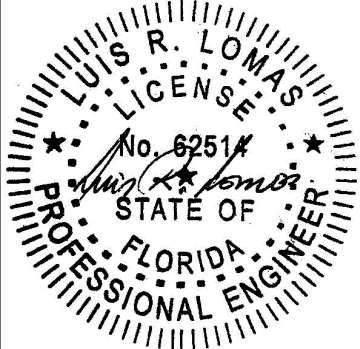
- NOTES:**
1. INTERIOR AND EXTERIOR FINISHES, BY OTHERS, NOT SHOWN FOR CLARITY.
 2. PERIMETER AND JOINT SEALANT BY OTHERS TO BE DESIGNED IN ACCORDANCE WITH ASTM E2112



VERTICAL CROSS SECTION
WOOD FRAMING OR 2X BUCK INSTALLATION

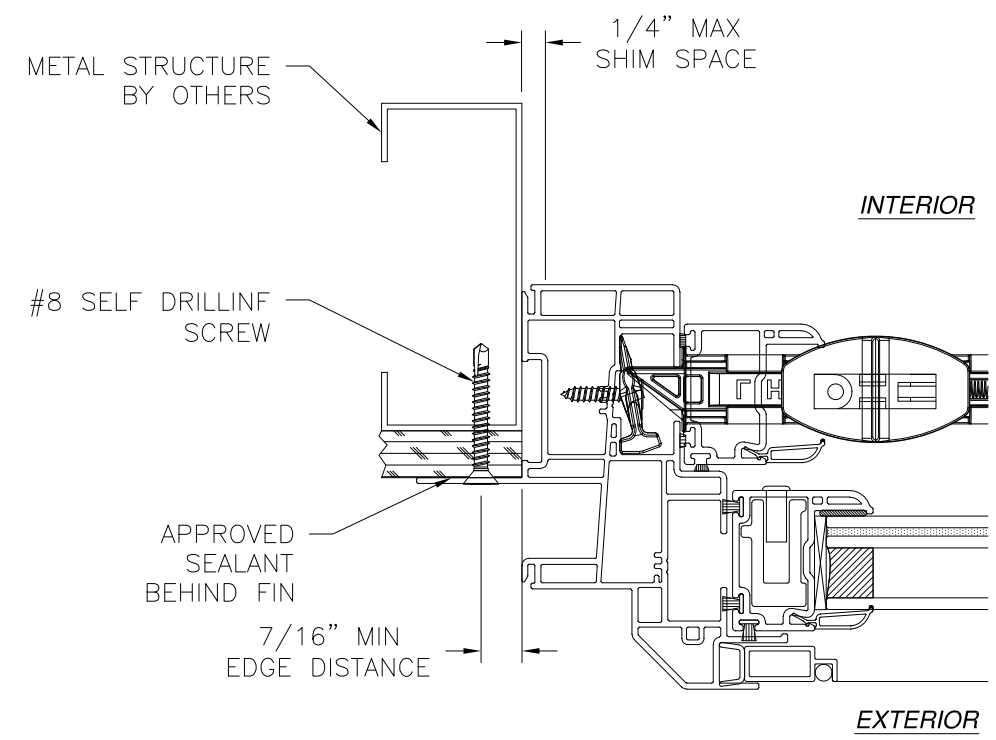
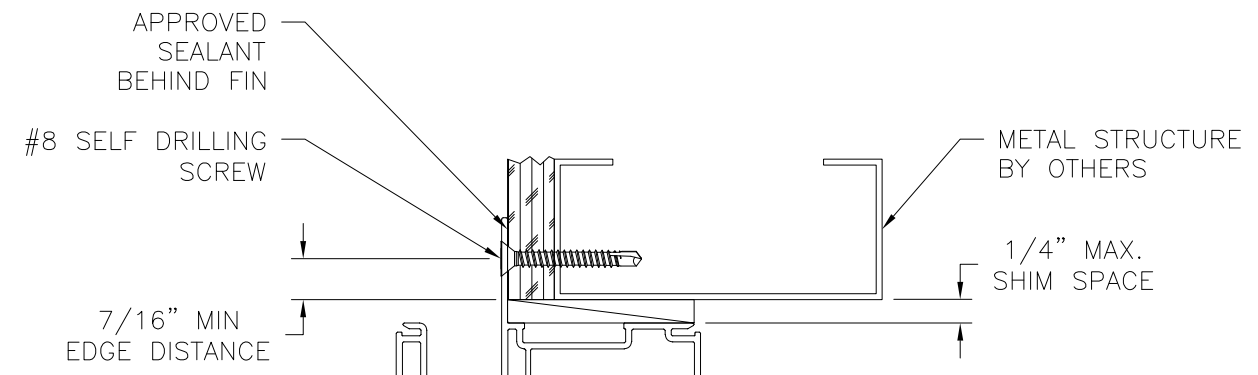
SIGNED: 04/01/2024

		EASTERN ARCHITECTURAL SYSTEMS A DIVISION OF EASTERN METAL SUPPLY 16341 DOMESTIC AVE FORT MYERS, FL 33912 800-432-2204	
SERIES "279.043" VINYL DOUBLE HUNG WINDOW IMPACT FIN INSTALLATION DETAILS			
DRAWN: A.R.	DWG. NO. 08-03977	REV -	
SCALE NTS	DATE 11/23/2023	SHEET 9 OF 11	
L. ROBERTO LOMAS P.E. 208 7th Ave, INDIALANTIC, FL 32903 434-688-0609 rllomas@rlomaspe.com			



Luis R. Lomas P.E.
FL No.: 62514

REVISIONS			
REV	DESCRIPTION	DATE	APPROVED



EXTERIOR

INTERIOR

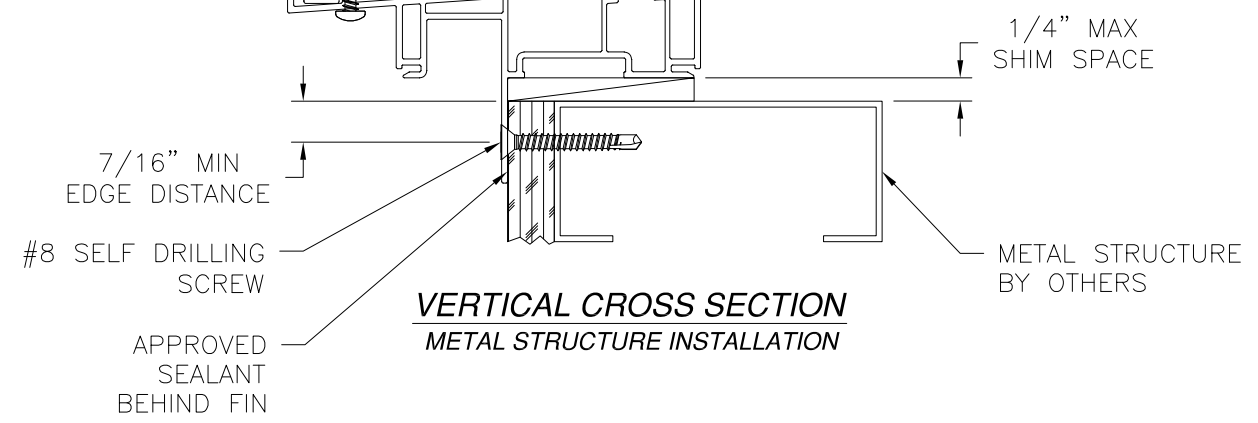
INTERIOR

EXTERIOR

JAMB INSTALLATION DETAIL
METAL STRUCTURE INSTALLATION

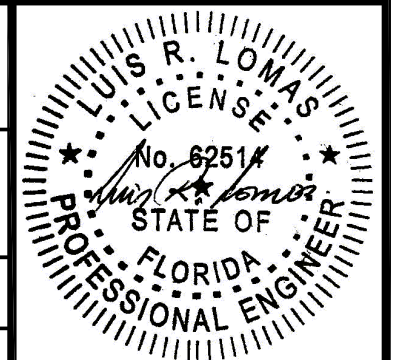
- NOTES:
1. INTERIOR AND EXTERIOR FINISHES, BY OTHERS, NOT SHOWN FOR CLARITY.
 2. PERIMETER AND JOINT SEALANT BY OTHERS TO BE DESIGNED IN ACCORDANCE WITH ASTM E2112

SIGNED: 04/01/2024



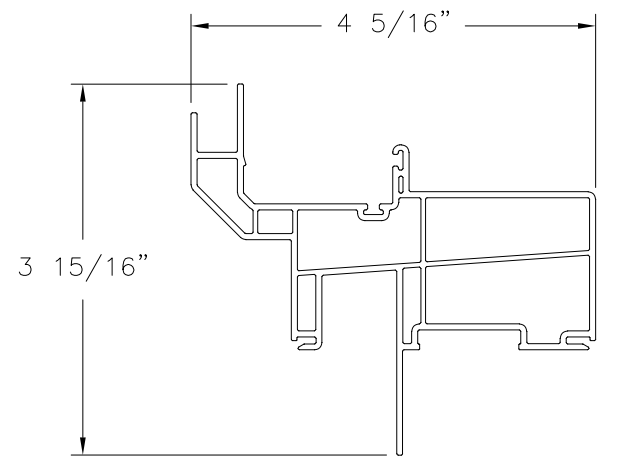
VERTICAL CROSS SECTION
METAL STRUCTURE INSTALLATION

		EASTERN ARCHITECTURAL SYSTEMS A DIVISION OF EASTERN METAL SUPPLY 16341 DOMESTIC AVE FORT MYERS, FL 33912 800-432-2204	
SERIES "279.043" VINYL DOUBLE HUNG WINDOW IMPACT FIN INSTALLATION DETAILS			
DRAWN: A.R.	DWG NO. 08-03977	REV -	
SCALE NTS	DATE 11/23/2023	SHEET 10 OF 11	
L. ROBERTO LOMAS P.E. 208 7th Ave, INDIALANTIC, FL 32903 434-688-0609 rllomas@rlomaspe.com			

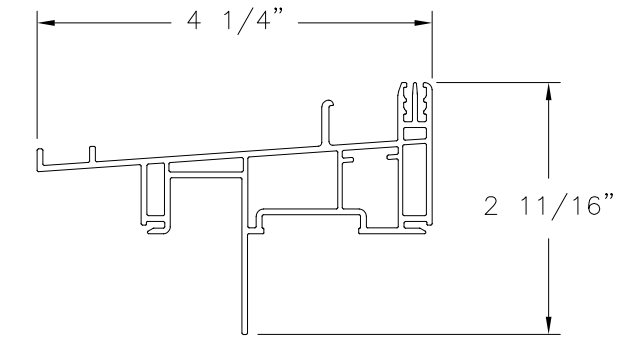


Luis R. Lomas P.E.
FL No.: 62514

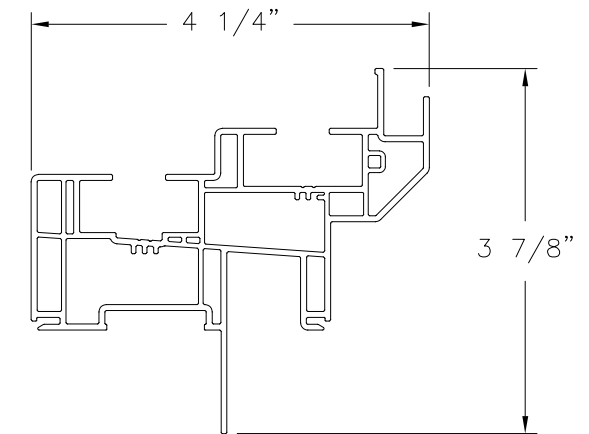
REVISIONS			
REV	DESCRIPTION	DATE	APPROVED



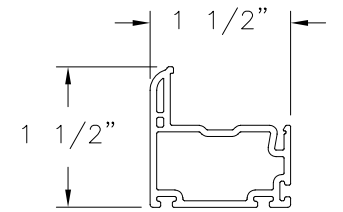
HEAD FRAME
FIN INSTALLATION (10005150)
EXTRUDED PVC



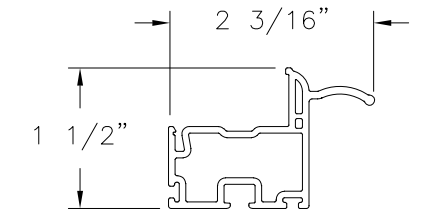
SILL FRAME
FIN INSTALLATION (10005193)
EXTRUDED PVC



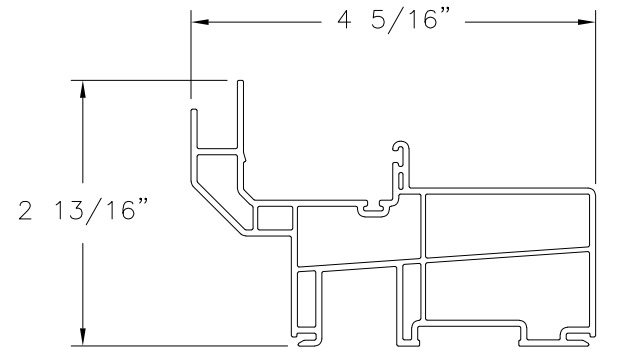
JAMB FRAME
FIN INSTALLATION (10005152)
EXTRUDED PVC



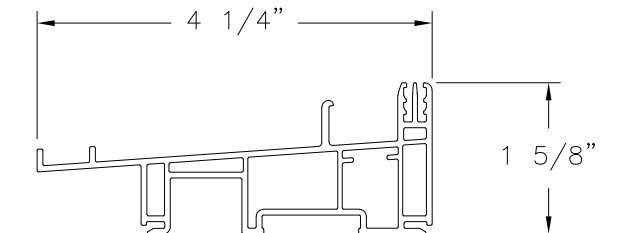
MAIN SASH (10005540)
EXTRUDED PVC



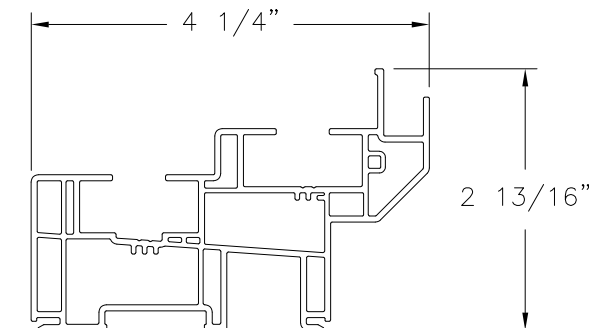
PULL/ LIFT SASH (10005541)
EXTRUDED PVC



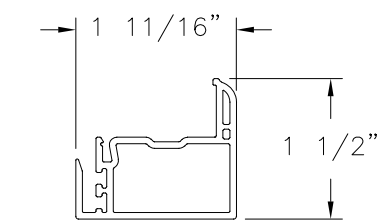
HEAD FRAME
FINLESS INSTALLATION (10005150)
EXTRUDED PVC



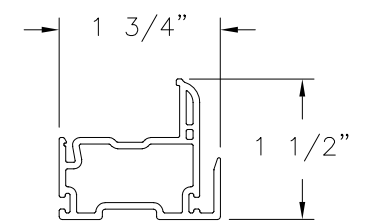
SILL FRAME
FINLESS INSTALLATION (10005193)
EXTRUDED PVC



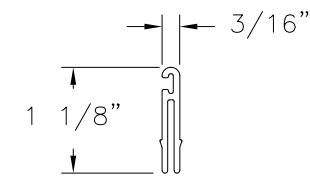
JAMB FRAME
FINLESS INSTALLATION (10005152)
EXTRUDED PVC



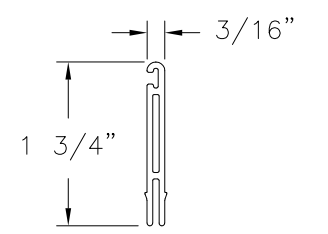
LOCK RAIL (10005542)
EXTRUDED PVC



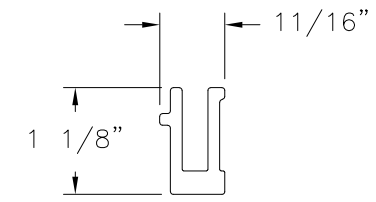
KEEPER RAIL (10005543)
EXTRUDED PVC



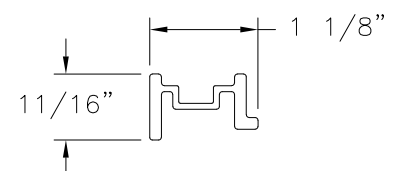
SILL EXTENSION
STANDARD (10005131)
EXTRUDED PVC



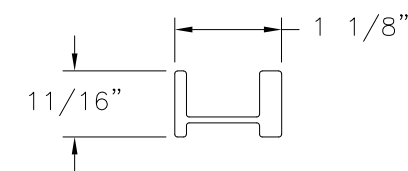
SILL EXTENSION
(10005139)
EXTRUDED PVC



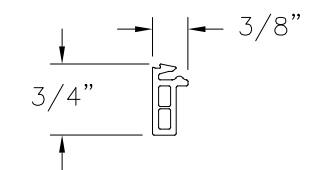
STILE
REINFORCEMENT (10300166)
6005-T5 ALUMINUM



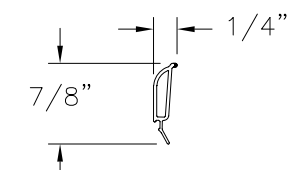
KEEPER RAIL
REINFORCEMENT (10300159)
6005-T5 ALUMINUM



LOCK RAIL
REINFORCEMENT (10300266)
6005-T5 ALUMINUM



FLANGE (10004714)
EXTRUDED PVC



GLAZING BEAD (10005464)
EXTRUDED PVC

Eastern
ARCHITECTURAL SYSTEMS
ALUMINUM AND VINYL
IMPACT WINDOWS AND DOORS

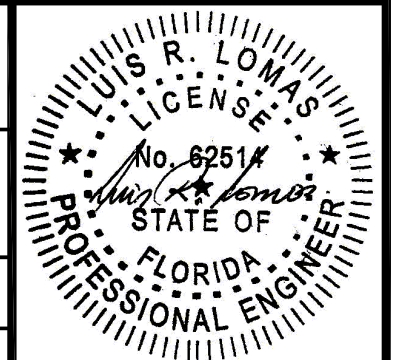
EASTERN ARCHITECTURAL SYSTEMS
A DIVISION OF
EASTERN METAL SUPPLY
16341 DOMESTIC AVE
FORT MYERS, FL 33912
800-432-2204

SERIES "279.043" VINYL DOUBLE HUNG WINDOW
IMPACT
COMPONENTS

DRAWN: A.R.	DWG NO. 08-03977	REV -
SCALE NTS	DATE 11/23/2023	SHEET 11 OF 11

L. ROBERTO LOMAS P.E.
208 7th Ave, INDIALANTIC, FL 32903
434-688-0609 rllomas@rlomaspe.com

SIGNED: 04/01/2024



Luis R. Lomas P.E.
FL No.: 62514