



MIAMI-DADE COUNTY  
 PRODUCT CONTROL SECTION  
 11805 SW 26 Street, Room 208  
 Miami, Florida 33175-2474  
 T (786) 315-2590 F (786) 315-2599  
[www.miamidade.gov/building](http://www.miamidade.gov/building)

DEPARTMENT OF REGULATORY AND ECONOMIC RESOURCES (RER)  
 BOARD AND CODE ADMINISTRATION DIVISION  
**NOTICE OF ACCEPTANCE (NOA)**

**Custom Window Systems, Inc.**  
 1900 SW 44<sup>th</sup> Avenue  
 Ocala, FL 34474

**SCOPE:**

This NOA is being issued under the applicable rules and regulations governing the use of construction materials. The documentation submitted has been reviewed and accepted by Miami-Dade County RER - Product Control Section to be used in Miami Dade County and other areas where allowed by the Authority Having Jurisdiction (AHJ).

This NOA shall not be valid after the expiration date stated below. The Miami-Dade County Product Control Section (In Miami-Dade County) and/ or the AHJ (in areas other than Miami-Dade County) reserve the right to have this product or material tested for quality assurance purposes. If this product or material fails to perform in the accepted manner, the manufacturer will incur the expense of such testing and the AHJ may immediately revoke, modify, or suspend the use of such product or material within their jurisdiction. RER reserves the right to revoke this acceptance if it is determined by Miami-Dade County Product Control Section that this product or material fails to meet the requirements of the applicable building code.

This product is approved as described herein, and has been designed to comply with the Florida Building Code, including the High Velocity Hurricane Zone.

**DESCRIPTION: Series “7200 (Flange Frame)” Aluminum Horizontal Sliding Window – L.M.I.**

**APPROVAL DOCUMENT:** Drawing No. CWS-1220, titled “7200 Aluminum Horizontal Slider Flange Frame Impact Window”, sheets 1 through 10 of 10, dated 12/18/23, prepared by manufacturer, and signed and sealed by Thomas J. Sotos, P.E., on 12/18/23 bearing the Miami-Dade County Product Control Revision stamp with the Notice of Acceptance number and the expiration date by the Miami-Dade County Product Control Section.

**MISSILE IMPACT RATING: Large and Small Missile Impact Resistant**

**LABELING:** Each unit shall bear a permanent label with the manufacturer's name or logo, city, state, series, and following statement: "Miami-Dade County Product Control Approved", unless otherwise noted herein.

**RENEWAL** of this NOA shall be considered after a renewal application has been filed and there has been no change in the applicable building code negatively affecting the performance of this product.

**TERMINATION** of this NOA will occur after the expiration date or if there has been a revision or change in the materials, use, and/ or manufacture of the product or process. Misuse of this NOA as an endorsement of any product, for sales, advertising or any other purposes shall automatically terminate this NOA. Failure to comply with any section of this NOA shall be cause for termination and removal of NOA.

**ADVERTISEMENT:** The NOA number preceded by the words Miami-Dade County, Florida, and followed by the expiration date may be displayed in advertising literature. If any portion of the NOA is displayed, then it shall be done in its entirety.

**INSPECTION:** A copy of this entire NOA shall be provided to the user by the manufacturer or its distributors and shall be available for inspection at the job site at the request of the Building Official.

This NOA revises NOA #23-1010.04 and consists of this page 1 and evidence pages E-1, E-2, E-3, E-4, E-5, E-6 and E-7, as well as approval document mentioned above.

The submitted documentation was reviewed by **Helmy A. Makar, P.E., M.S.**



*Helmy A. Makar*  
 02/01/2024

NOA No. 24-0116.07  
 Expiration Date: 04/11/2027  
 Approval Date: 02/01/2024  
 Page 1

NOTICE OF ACCEPTANCE: EVIDENCE SUBMITTED

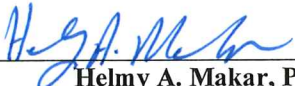
**1. EVIDENCE SUBMITTED UNDER PREVIOUS NOA's**

**A. DRAWINGS**

1. Manufacturer's die drawings and sections.  
*(Submitted under NOA No. 02-0227.05)*
2. Drawing No. **L8700-0901**, titled "HS-8700 Horizontal Rolling Flange Impact Window", sheets 1 through 10 of 10, dated 05/30/09, with revision **H** dated 06/24/22, prepared by manufacturer, signed and sealed by Thomas J. Sotos, P.E.  
*(Submitted under NOA No. 22-0719.02)*

**B. TESTS**

1. Test reports on: 1) Uniform Static Air Pressure Test, Loading per FBC TAS 202-94  
2) Large Missile Impact Test per FBC, TAS 201-94  
3) Cyclic Wind Pressure Loading per FBC, TAS 203-94  
along with marked-up drawings and installation diagram of 3 specimens of a series 8700 impact horizontal rollers, XO configuration, prepared by QAI Laboratories, Test Report No. **QAI-13097**, dated 06/20/22, signed and sealed by Idalmis Ortega, P.E.  
*(Submitted under NOA No. 22-0719.02)*
2. Test reports on: 1) Air Infiltration Test, per FBC, TAS 202-94  
2) Uniform Static Air Pressure Test, Loading per FBC TAS 202-94  
3) Water Resistance Test, per FBC TAS 202-94  
4) Large Missile Impact Test per FBC, TAS 201-94  
5) Cyclic Wind Pressure Loading per FBC, TAS 203-94  
6) Forced Entry Test, per FBC 2411 3.2.1, TAS 202-94  
along with marked-up drawings and installation diagram of 3 specimens of an aluminum horizontal sliding window, XO configuration, prepared by National Certified Testing Laboratories, Test Report No. **NCTL-210-4148-01**, dated 06/04/21, signed and sealed by Douglas J. McDougall, P.E.  
*(Submitted under NOA No. 22-0118.01)*
3. Test reports on: 1) Air Infiltration Test, per FBC, TAS 202-94  
2) Uniform Static Air Pressure Test, Loading per FBC TAS 202-94  
3) Water Resistance Test, per FBC TAS 202-94  
4) Large Missile Impact Test per FBC, TAS 201-94  
5) Cyclic Wind Pressure Loading per FBC, TAS 203-94  
6) Forced Entry Test, per FBC 2411 3.2.1, TAS 202-94  
along with marked-up drawings and installation diagram of a series HS-8700 flange frame aluminum horizontal sliding window, XO and XOX configurations, prepared by Fenestration Testing Laboratory, Inc., Test Report No. **FTL-10715**, dated 05/08/19, signed and sealed by Idalmis Ortega, P.E.  
*(Submitted under NOA No. 19-0708.09)*

  
\_\_\_\_\_  
Helmy A. Makar, P.E., M.S.  
Product Control Section Supervisor  
NOA No. 24-0116.07  
Expiration Date: 04/11/2027  
Approval Date: 02/01/2024



NOTICE OF ACCEPTANCE: EVIDENCE SUBMITTED

**1. EVIDENCE SUBMITTED UNDER PREVIOUS NOA's (CONTINUED)**

**B. TESTS (CONTINUED)**

4. Test reports on: 1) Air Infiltration Test, per FBC, TAS 202-94  
2) Uniform Static Air Pressure Test, Loading per FBC, TAS 202-94  
3) Water Resistance Test, per FBC, TAS 202-94  
4) Forced Entry Test, per FBC 2411.3.2.1, and TAS 202-94  
along with marked-up drawings and installation diagram of an aluminum horizontal sliding window, XOX (1/4-1/2-1/4 and 1/3-1/3-1/3) configuration, prepared by Hurricane Engineering & Testing, Inc., Test Reports No. **HETI-10-3049** and **HETI-10-3051**, dated 03/23/11, signed and sealed by Candido F. Font, P.E.  
*(Submitted under NOA No. 11-0705.10)*
5. Test reports on: 1) Uniform Static Air Pressure Test, Loading per FBC TAS 202-94  
along with marked-up drawings and installation diagram of 8 specimens of an aluminum horizontal sliding window, XOX (1/4-1/2-1/4 and 1/3-1/3-1/3) configuration, prepared by Hurricane Engineering & Testing, Inc., Test Reports No. **HETI-10-3047**, **HETI-10-3053**, **HETI-10-3057**, **HETI-10-3130**, **HETI-10-3223** and **HET-10-3225**, all dated 03/23/11, and signed and sealed by Candido F. Font, P.E.  
*(Submitted under NOA No. 11-0705.10)*
6. Test reports on: 1) Large Missile Impact Test per FBC, TAS 201-94  
2) Cyclic Wind Pressure Loading per FBC, TAS 203-94  
along with marked-up drawings and installation diagram of an aluminum horizontal sliding window, XOX (1/4-1/2-1/4 and 1/3-1/3-1/3) configuration, prepared by Hurricane Engineering & Testing, Inc., Test Reports No. **HETI-10-3048**, **HETI-10-3049I**, dated 11/09/10, **HETI-10-3050**, **HETI-10-3052B**, **HETI-10-3056**, **HETI-10-3131**, **HETI-10-3224** and **HETI-10-3226**, all dated 03/23/11, and signed and sealed by Candido F. Font, P.E.  
*(Submitted under NOA No. 11-0705.10)*
7. Test reports on: 1) Large Missile Impact Test per FBC, TAS 201-94  
2) Cyclic Wind Pressure Loading per FBC, TAS 203-94  
along with marked-up drawings and installation diagram of an aluminum horizontal sliding window, XOX configuration, prepared by Hurricane Engineering & Testing, Inc., Test Report No. **HETI-10-3251**, dated 04/25/11, signed and sealed by Rafael E. Droz-Seda, P.E.  
*(Submitted under NOA No. 11-0705.10)*



Helmy A. Makar, P.E., M.S.  
Product Control Section Supervisor  
NOA No. 24-0116.07  
Expiration Date: 04/11/2027  
Approval Date: 02/01/2024

NOTICE OF ACCEPTANCE: EVIDENCE SUBMITTED

**1. EVIDENCE SUBMITTED UNDER PREVIOUS NOA's (CONTINUED)**

**B. TESTS (CONTINUED)**

- 8.** Test reports on: 1) Air Infiltration Test, per FBC, TAS 202-94  
2) Uniform Static Air Pressure Test, Loading per FBC TAS 202-94  
3) Water Resistance Test, per FBC TAS 202-94  
4) Large Missile Impact Test per FBC, TAS 201-94  
5) Cyclic Wind Pressure Loading per FBC, TAS 203-94  
6) Forced Entry Test, per FBC 2411 3.2.1, TAS 202-94

along with marked-up drawings and installation diagram of 8 specimens of an aluminum horizontal sliding window, XO configuration, prepared by Hurricane Engineering & Testing, Inc., Test Reports No. **HETI-08-2033, HETI-08-2034, HETI-08-2035, HETI-08-2036, HETI-08-2037, HETI-08-2038, HETI-08-2116A** and **HETI-08-2116B**, all dated 02/28/08, and signed and sealed by Candido F. Font, P.E.

*(Submitted under NOA No. 09-0706.05)*

- 9.** Test reports on: 1) Air Infiltration Test, per FBC, TAS 202-94  
2) Uniform Static Air Pressure Test, Loading per FBC TAS 202-94  
3) Water Resistance Test, per FBC TAS 202-94  
4) Large Missile Impact Test per FBC, TAS 201-94  
5) Cyclic Wind Pressure Loading per FBC, TAS 203-94  
6) Forced Entry Test, per FBC 2411 3.2.1, TAS 202-94

along with marked-up drawings and installation diagram of 8 specimens of an aluminum horizontal sliding window, XO configuration, prepared by Fenestration Testing Laboratory, Inc., Test Reports No. **FTL-3097, FTL-3098** and **FTL-3364**, dated 12/06/01, 12/11/01 and 01/28/02, respectively, all signed and sealed by Luis Antonio Figueredo, P.E.

*(Submitted under NOA No. 02-0227.05)*

**C. CALCULATIONS**

- 1.** Anchor verification calculations and structural analysis, complying with FBC 7<sup>th</sup> Edition (2020), dated 05/28/09, revised on 07/10, 01/25/12 and 01/12/22 and updated on 07/13/22, prepared by manufacturer, signed and sealed by Thomas J. Sotos, P.E.  
*(Submitted under NOA No. 22-0719.02)*
- 2.** Glazing complies with **ASTM E1300-09**

**D. QUALITY ASSURANCE**

- 1.** Miami-Dade Department of Regulatory and Economic Resources (RER).



Helmy A. Makar, P.E., M.S.  
Product Control Section Supervisor  
NOA No. 24-0116.07  
Expiration Date: 04/11/2027  
Approval Date: 02/01/2024



NOTICE OF ACCEPTANCE: EVIDENCE SUBMITTED

**1. EVIDENCE SUBMITTED UNDER PREVIOUS NOA's (CONTINUED)**

**E. MATERIAL CERTIFICATIONS**

1. Notice of Acceptance No. **20-0915.22** issued to **Kuraray America, Inc.** for their "Trosifol® Ultraclear, Clear and Color PVB Glass Interlayers" dated 11/19/20, expiring on 07/08/24.
2. Notice of Acceptance No. **21-0216.01** issued to **Eastman Chemical Company (MA)** for their "Saflex PVB Interlayers - Clear and Colored for Glass" dated 04/29/21, expiring on 05/21/26.
3. Notice of Acceptance No. **20-0622.03** issued to **Eastman Chemical Company (MA)** for their "Saflex Storm - Saflex and Saflex HP Composite Glass Interlayers with PET Core" dated 08/06/20, expiring on 12/11/23.

**F. STATEMENTS**

1. Statement letter of conformance, complying with **FBC 7<sup>th</sup> Edition (2020)**, dated July 12, 2022, issued by the manufacturer, signed and sealed by Thomas J. Sotos, P.E. *(Submitted under NOA No. 22-0719.02)*
2. Statement letter of no financial interest, dated July 12, 2022, issued by the manufacturer, signed and sealed by Thomas J. Sotos, P.E. *(Submitted under NOA No. 22-0719.02)*
3. Proposal No. **22-0505** issued by the Product Control Section, dated May 12, 2022, signed by Manuel Perez, P.E. *(Submitted under NOA No. 22-0719.02)*
4. Proposal No. **19-1433** issued by the Product Control Section, dated January 15, 2020, signed by Manuel Perez, P.E. *(Submitted under NOA No. 22-0118.01)*
5. Proposal No. **18-1697** issued by the Product Control Section, dated January 04, 2019, signed by Manuel Perez, P.E. *(Submitted under NOA No. 19-0708.09)*
6. Laboratory compliance letter for Test Reports No. **HETI-10-3047, HETI-10-3048, HETI-10-3049, HETI-10-3049I, HETI-10-3050, HETI-10-3051, HETI-10-3052B, HETI-10-3053, HETI-10-3056, HETI-10-3057, HETI-10-3130, HETI-10-3131, HETI-10-3223, HETI-10-3224, HETI-10-3225** and **HETI-10-3226**, all issued by Hurricane Engineering & Testing, Inc., dated 11/09/10, 03/23/11 and 04/25/11, signed and sealed by Candido F. Font, P.E. *(Submitted under NOA No. 11-0705.10)*



Helmy A. Makar, P.E., M.S.  
Product Control Section Supervisor  
NOA No. 24-0116.07  
Expiration Date: 04/11/2027  
Approval Date: 02/01/2024

NOTICE OF ACCEPTANCE: EVIDENCE SUBMITTED

**1. EVIDENCE SUBMITTED UNDER PREVIOUS NOA's (CONTINUED)**

**F. STATEMENTS (CONTINUED)**

7. Laboratory compliance letter for Test Report No. **HETI-10-3251**, issued by Hurricane Engineering & Testing, Inc., dated 04/25/11, signed and sealed by Rafael E. Droz-Seda, P.E.  
*(Submitted under NOA No. 11-0705.10)*
8. Laboratory compliance letter for Test Reports No. **HETI-08-2033, HETI-08-2034, HETI-08-2035, HETI-08-2036, HETI-08-2037, HETI-08-2038, HETI-08-2116A** and **HETI-08-2116B**, all issued by Hurricane Engineering & Testing, Inc., dated 01/15/08 through 02/28/08, and signed and sealed by Candido F. Font, P.E.  
*(Submitted under NOA No. 09-0706.05)*
9. Laboratory compliance letter for Test Reports No. **FTL-3097, FTL-3098** and **FTL-3364**, all issued by Fenestration Testing Laboratory, Inc., dated 12/06/01, 12/11/01 and 01/28/02, and signed and sealed by Luis Antonio Figueredo, P.E.  
*(Submitted under NOA No. 02-0227.05)*

**G. OTHERS**

1. Notice of Acceptance No. **22-0118.01**, issued to Lawson Industries, Inc. for their Series "HS-8700 (Flange Frame)" Aluminum Horizontal Sliding Window – L.M.I., approved on 02/24/22 and expiring on 04/11/27.

**2. NEW EVIDENCE SUBMITTED**

**A. DRAWINGS**

1. Drawing No. **L8700-0901**, titled "HS-8700 Horizontal Rolling Flange Impact Window", sheets 1 through 10 of 10, dated 05/30/09, with revision **I** dated 09/25/23, prepared by manufacturer, signed and sealed by Thomas J. Sotos, P.E.

**B. TESTS**

1. Test reports on: 1) Uniform Static Air Pressure Test, Loading per FBC, TAS 202-94  
2) Large Missile Impact Test per FBC, TAS 201-94  
3) Cyclic Wind Pressure Loading per FBC, TAS 203-94  
along with marked-up drawings and installation diagram of a series SH-7700 aluminum single hung window, prepared by Hurricane Engineering & Testing, Inc., Test Report No. **HETI-23-8049**, dated 07/24/23, signed and sealed by Ram N. Tewari, P.E.

**C. CALCULATIONS**

1. None.



Helmy A. Makar, P.E., M.S.  
Product Control Section Supervisor  
NOA No. 24-0116.07  
Expiration Date: 04/11/2027  
Approval Date: 02/01/2024



**Custom Window Systems, Inc.**

**NOTICE OF ACCEPTANCE: EVIDENCE SUBMITTED**

**2. NEW EVIDENCE SUBMITTED (CONTINUED)**

**D. QUALITY ASSURANCE**

1. Miami-Dade Department of Regulatory and Economic Resources (RER)

**E. MATERIAL CERTIFICATIONS**

1. Notice of Acceptance No. **20-0915.22** issued to **Kuraray America, Inc.** for their “**Trosifol® Ultraclear, Clear and Color PVB Glass Interlayers**” dated 11/19/20, expiring on 07/08/24.
2. Notice of Acceptance No. **21-0216.01** issued to **Eastman Chemical Company (MA)** for their “**Saflex PVB Interlayers - Clear and Colored for Glass**” dated 04/29/21, expiring on 05/21/26.
3. Notice of Acceptance No. **22-1130.05** issued to **Eastman Chemical Company (MA)** for their “**Saflex Storm - Saflex and Saflex HP Composite Glass Interlayers with PET Core**” dated 01/26/23, expiring on 12/11/28.

**F. STATEMENTS**

1. Statement letter of conformance, complying with **FBC 8<sup>th</sup> Edition (2023)**, dated October 4, 2023, issued by the manufacturer, signed and sealed by Thomas J. Sotos, P.E.
2. Statement letter of no financial interest, dated October 4, 2023, issued by the manufacturer, signed and sealed by Thomas J. Sotos, P.E.
3. Proposal No. **23-0461R** issued by the Product Control Section, dated June 13, 2023 and revised on June 16, 2023, signed by Manuel Perez, P.E.

**G. OTHERS**

1. Notice of Acceptance No. **22-0719.02**, issued to Lawson Industries, Inc. for their Series “**HS-8700 (Flange Frame)**” Aluminum Horizontal Sliding Window – L.M.I., approved on 08/11/22 and expiring on 04/11/27.



Helmy A. Makar, P.E., M.S.  
Product Control Section Supervisor  
NOA No. 24-0116.07  
Expiration Date: 04/11/2027  
Approval Date: 02/01/2024

**Custom Window Systems, Inc.**

**NOTICE OF ACCEPTANCE: EVIDENCE SUBMITTED**

**3. NEW EVIDENCE SUBMITTED**

**A. DRAWINGS**

1. Drawing No. **CWS-1220**, titled “7200 Aluminum Horizontal Slider Flange Frame Impact Window”, sheets 1 through 10 of 10, dated 12/18/23, prepared by manufacturer, and signed and sealed by Thomas J. Sotos, P.E., on 12/18/23.

**B. TESTS**

1. None.

**C. CALCULATIONS**

1. None.

**D. QUALITY ASSURANCE**

1. Miami-Dade Department of Regulatory and Economic Resources (RER)

**E. MATERIAL CERTIFICATIONS**


1. None.

**F. STATEMENTS**

1. Statement letter of conformance, complying with **FBC 8<sup>th</sup> Edition (2023)**, dated 12/18, 2023, issued by the manufacturer, signed and sealed by Thomas J. Sotos, P.E.
2. Statement letter of no financial interest, dated December 18, 2023, issued by the manufacturer, signed and sealed by Thomas J. Sotos, P.E.
3. Private Labeling Agreement document in conformance to Product Control guidelines dated 01/11/24, signed by Kevin E. Pine, Vice President.

**G. OTHERS**

1. Notice of Acceptance No. **23-1010.04**, issued to Lawson Industries, Inc. for their Series “HS-8700 (Flange Frame)” Aluminum Horizontal Sliding Window – L.M.I., approved on 11/02/23 and expiring on 04/11/27.

  
\_\_\_\_\_  
Helmy A. Makar, P.E., M.S.  
Product Control Section Supervisor  
NOA No. 24-0116.07  
Expiration Date: 04/11/2027  
Approval Date: 02/01/2024





1900 SW 44TH AVE.  
OCALA, FLORIDA 34474  
WWW.CWS.CC

### 7200 ALUMINUM HORIZONTAL SLIDER - IMPACT FLANGE FRAME

NO.	DESCRIPTION	BY	DATE

DATE: **DEC 18 2023**

THOMAS J. SOTOS, P.E.  
FL P.E. LIC. # 55225

SHEET DESCRIPTION:  
APPROVED ELEVATIONS,  
CONFIGURATIONS AND  
GENERAL NOTES

DRAWN BY: N. Erazo      DATE: 12/18/2023

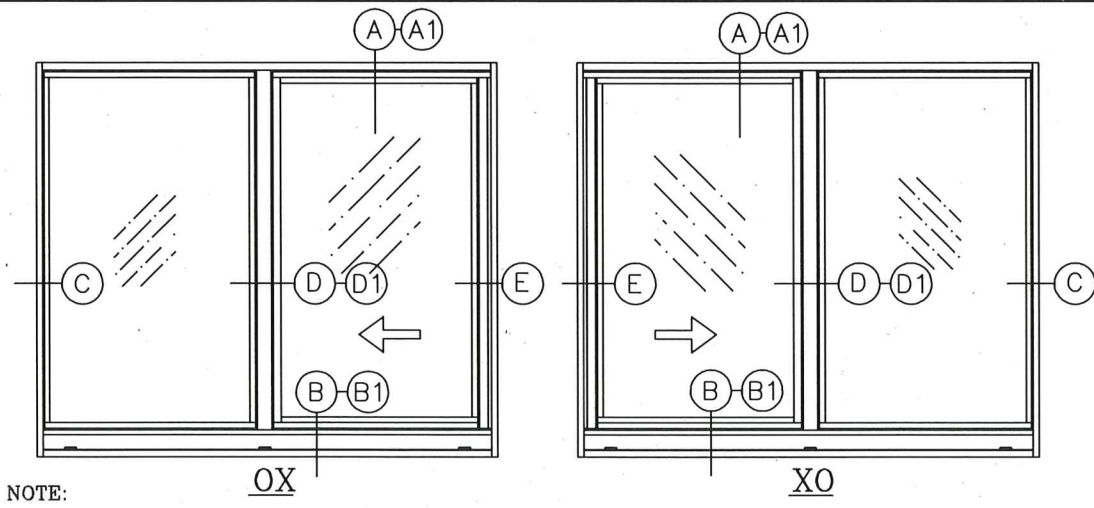
REV. BY: ---      DATE: ---

DWG #: CWS-1220      REV #:

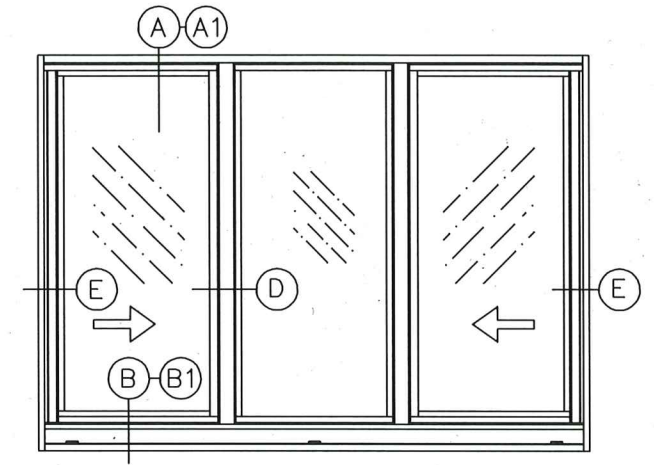
SCALE: ---      SHEET 1 OF 10

### General Notes:

- THIS WINDOW SYSTEM IS DESIGNED AND TESTED TO COMPLY WITH THE REQUIREMENTS OF THE FLORIDA BUILDING CODE (2020-7th Edition & 2023-8th Edition, INCLUDING HIGH VELOCITY HURRICANE ZONE (HVHZ) AND ASTM 1300-09. THIS PRODUCT IS IMPACT RESISTANT. (SHUTTERS NOT REQUIRED)
- WOOD BUCKS SHALL BE INSTALLED AND ANCHORED SO THAT THE BUILDING RESISTS THE SUPERIMPOSED LOADS IN ACCORDANCE WITH THE REQUIREMENTS OF THE FLORIDA BUILDING CODE & TO BE REVIEWED BY BUILDING OFFICIAL.
- ANCHORS SHOWN ON SHEET 2 OF 10 ARE AS PER TEST UNITS. ANCHORS ON ALL WINDOW SIZES ARE NOT TO EXCEED THESE MAXIMUM SPACINGS ON CENTER (O.C.), AND AS TABULATED ON SHEETS 6, 7, or 8.
- ANCHOR CONDITIONS NOT DESCRIBED IN THESE DRAWING'S ARE TO BE ENGINEERED ON A SITE SPECIFIC BASIS, UNDER SEPARATE APPROVAL AND TO BE REVIEWED BY BUILDING OFFICIAL.
- WINDOWS ARE QUALIFIED FOR USE WITH SINGLE GLAZE LAMINATED GLASS TYPES TABULATED HEREIN (SEE SHEETS #6, 7, or 8), AND FOR USE WITH DOUBLE GLAZE LAMINATED INSULATED GLASS TYPES TABULATED HEREIN (SEE SHEETS #6, 7 or 8).
- WINDOWS WITH GLASS TYPES "A, C, OR G" INSTALLED ABOVE 30FT. IN THE HVHZ, THE I.G. EXTERIOR LITE SHALL BE TEMPERED.
- SEE SHEET 4 FOR LOCK DETAILS & OPTIONS.
- SEE SHEET 9 FOR GLASS TYPES.
- SEE SHEET 6 FOR DESIGN PRESSURES ON "XO or OX" WINDOWS.
- SEE SHEET 7 FOR DESIGN PRESSURES ON EQUAL-LITE "XOX" WINDOWS.
- SEE SHEET 8 FOR DESIGN PRESSURES ON UN-EQUAL LITE "XOX" WINDOWS.
- FOR OPTIONAL FRAME INSTALLATION DETAILS SEE SHEETS 3, 4, or 9.
- EXT. & INT. FALSE COLONIAL MUNTINS ARE OPTIONAL & AND ARE APPLIED W/ SILICONE
- WOOD BUCKS IN CONTACT WITH CONCRETE MUST BE PRESSURE TREATED AND ANCHORED (BY OTHERS), PRIOR TO WINDOW INSTALLATION. (SEE SHEET #3, 4 & 5 FOR DETAILS & NOTES) WOOD BUCKS TO BE ANCHORED IN COMPLIANCE WITH THE FBC CHAPTER 24 SECTION 11.3.3.3.
- APPROVAL APPLIES TO SINGLE UNITS OR SIDE BY SIDE MULLED UNITS.
- SEE SHEET # 5 FOR MULLION/METAL ATTACHMENT DETAILS, NOTES & OPTIONS.
- MULLING HORIZONTAL SLIDING WINDOWS WITH OTHER TYPES OF MIAMI-DADE COUNTY APPROVED WINDOWS USING A MIAMI-DADE COUNTY APPROVED MULLION IN BETWEEN ARE ACCEPTABLE BUT THE LOWER DESIGN PRESSURE FROM THE WINDOWS OR MULLION APPROVAL WILL APPLY TO THE ENTIRE MULLED SYSTEM.

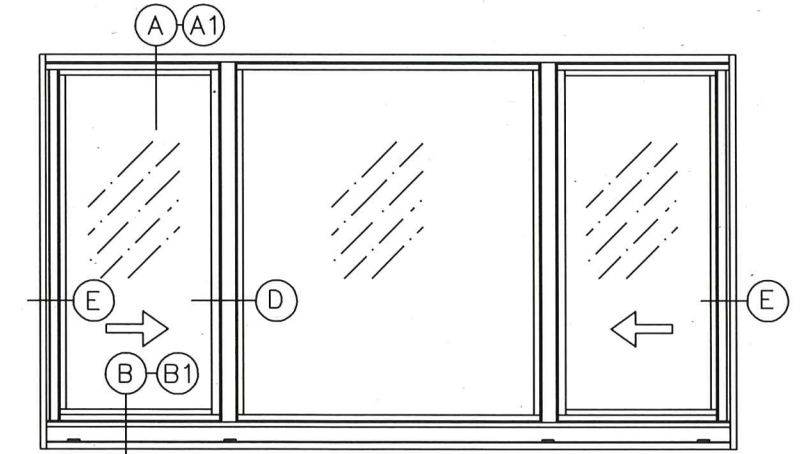


- NOTE:
- REFER TO SHEET 2 OF 10 FOR INSTALLATION ANCHOR DETAILS AND NOTES.
  - FOR VERTICAL CROSS-SECTION DETAILS "A, A1, B, & B1" REFER TO SHEET #3
  - FOR HORIZONTAL CROSS-SECTION DETAILS "C, D, D1, & E" REFER TO SHEET #4
  - REFER TO SHEET 6 OF 10 FOR DESIGN LOAD CHARTS AND NOTES.



XOX - Equal Lite (1/3-1/3-1/3)

- NOTES:
- REFER TO SHEET 2 OF 10 FOR INSTALLATION ANCHOR DETAILS AND NOTES.
  - FOR VERTICAL CROSS-SECTION DETAILS "A, A1, B, & B1" REFER TO SHEET #3
  - FOR HORIZONTAL CROSS-SECTION DETAILS "D, & E" REFER TO SHEET #5
  - REFER TO SHEET 8 OF 10 FOR DESIGN LOAD CHARTS AND NOTES.



XOX - Un-Equal Lite (1/4-1/2-1/4)

- NOTES:
- REFER TO SHEET 2 OF 10 FOR INSTALLATION ANCHOR DETAILS AND NOTES.
  - FOR VERTICAL CROSS-SECTION DETAILS "A, A1, B, & B1" REFER TO SHEET #3
  - FOR HORIZONTAL CROSS-SECTION DETAILS "D, & E" REFER TO SHEET #5
  - REFER TO SHEET 7 OF 10 FOR DESIGN LOAD CHARTS AND NOTES.

## HORIZONTAL SLIDER WINDOW - IMPACT FLANGE FRAME APPROVED ELEVATIONS

PRODUCT REVISED  
as complying with the Florida  
Building Code  
Acceptance No 24-0116.07  
Expiration Date 04/11/2027  
By *Heidi H. Miller*  
Miami Dade Product Control





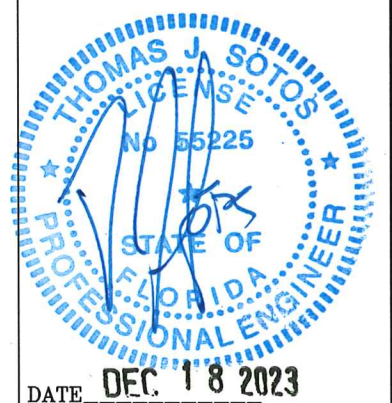




1900 SW 44TH AVE.  
OCALA, FLORIDA 34474  
WWW.CWS.CC

**7200 ALUMINUM  
HORIZONTAL SLIDER -  
IMPACT FLANGE FRAME**

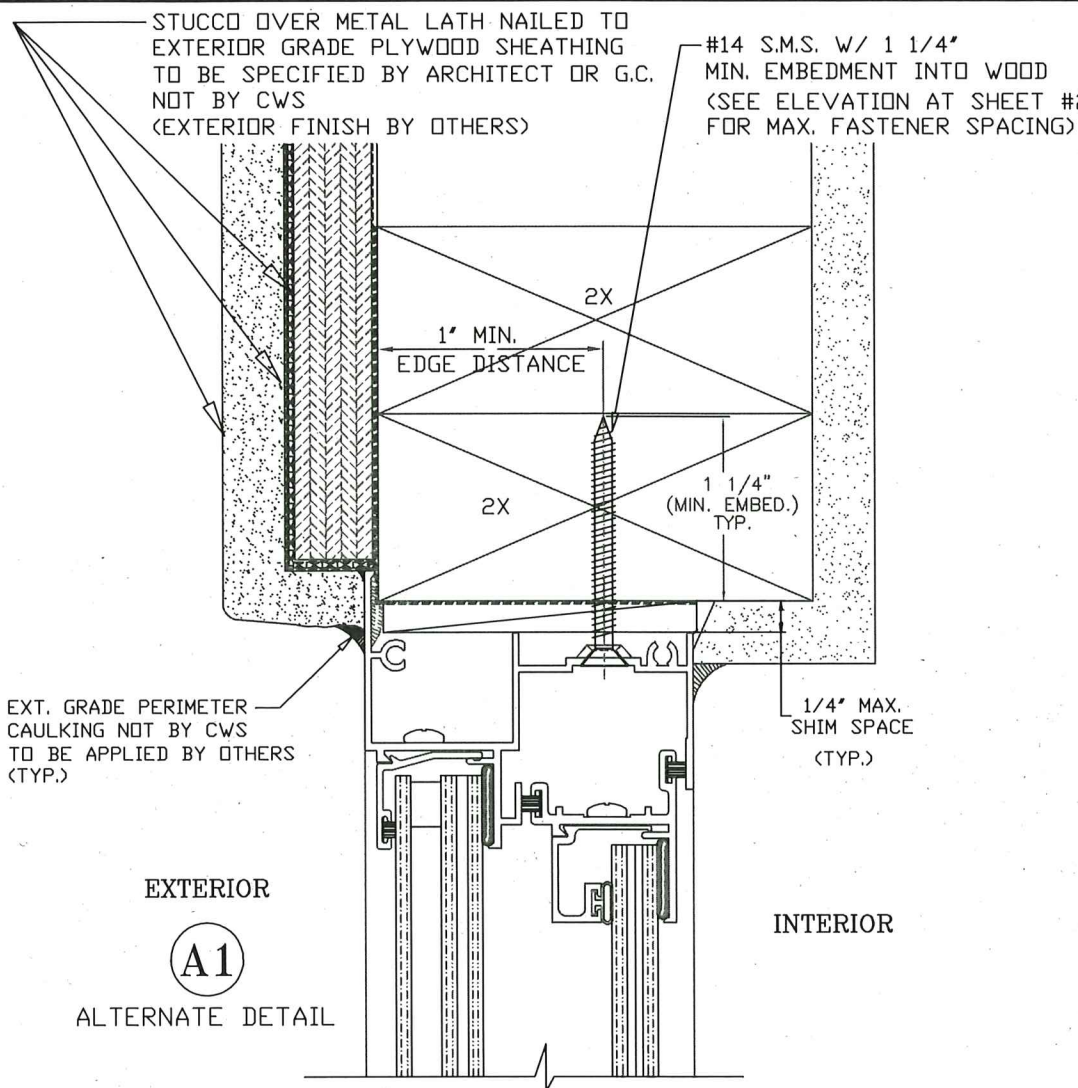
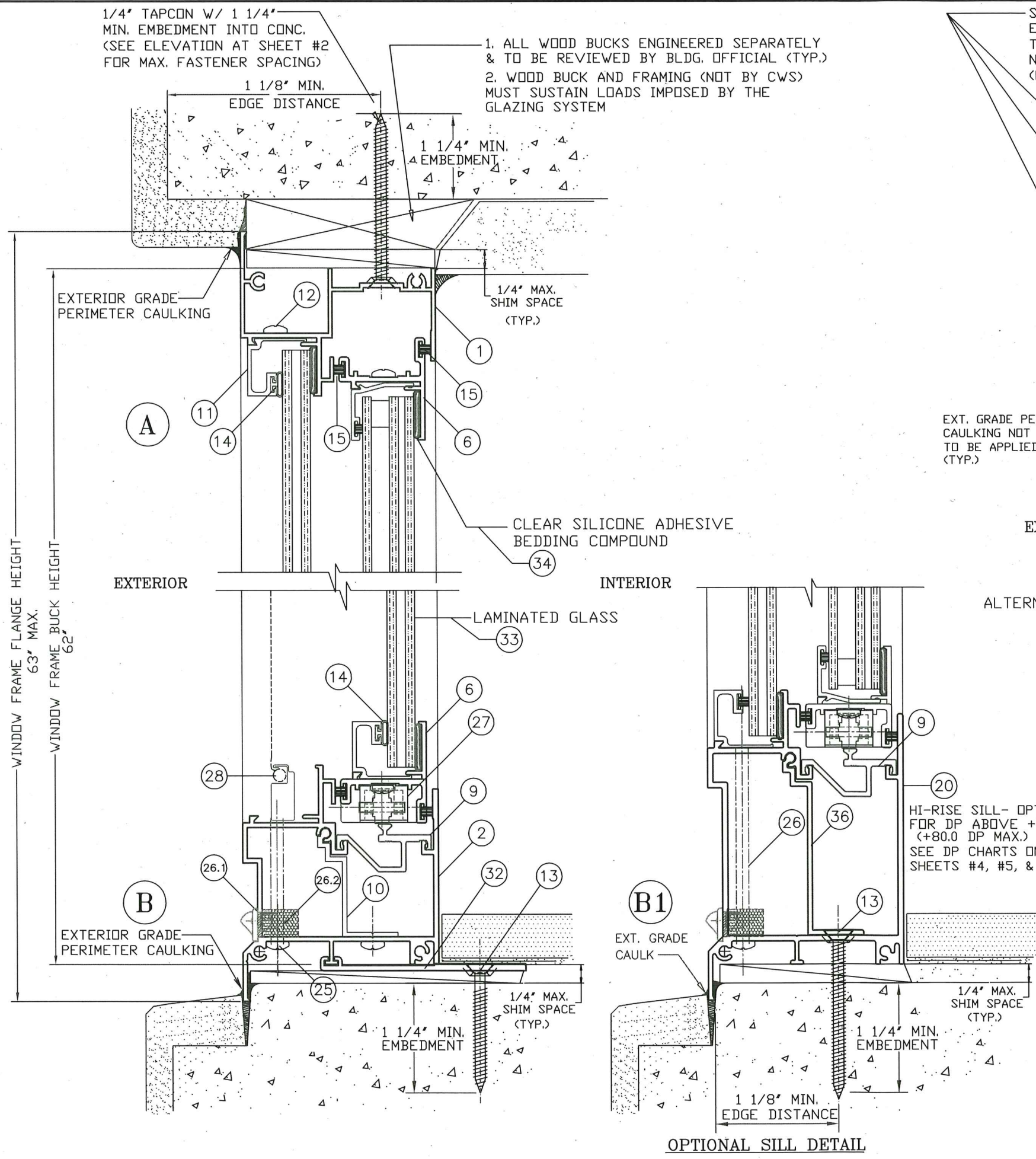
NO.	DESCRIPTION	BY	DATE



DATE **DEC. 18 2023**  
THOMAS J. SOTOS, P.E.  
FL P.E. LIC. # 55225

SHEET DESCRIPTION:  
VERTICAL CROSS SECTION,  
NOTES AND FRAME  
INSTALLATION DETAILS

DRAWN BY: N. Erazo	DATE: 12/18/2023
REV. BY: ---	DATE: ---
DWG #: CWS-1220	REV #: ---
SCALE: ---	SHEET 3 OF 10



- WINDOW INSTALLATION NOTES:**
1. THE WINDOW FRAME FLANGE TO BE BACK-BEDDED W/ AN EXT. GRADE CAULK THROUGHOUT THE ENTIRE PERIMETER OF FLANGE BY WINDOW INSTALLER (TYP.)
  2. THE EXPOSED EXT. PERIMETER OF THE WINDOW FRAME TO BE SEALED W/ AN APPROVED EXTERIOR GRADE CAULK BY OTHERS (TYP.)
- \* WHEN THE GAP BETWEEN THE WINDOW FRAME AND THE BUCK OR MASONRY IS LESS THAN 1/8", SHIMS ARE NOT REQUIRED.

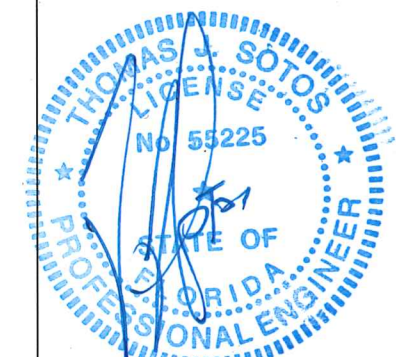
**ANCHORS NOTE:**  
ANCHORS TO BE #12 SMS OR WD. SCREWS INTO WOOD, OR 1/4" TAPCONS or APPROVED CONC. FASTENERS INTO CONC., WITH A MINIMUM OF 1 1/4" PENETRATION INTO WOOD OR CONC. (REFER TO LOAD TABLES FOR QUANTITIES REQUIRED)

PRODUCT REVISED  
as complying with the Florida  
Building Code  
Acceptance No. 24-0116.07  
Expiration Date 04/11/2027  
By *Helga M...*  
Miami Dade Product Control



**7200 ALUMINUM  
HORIZONTAL SLIDER -  
IMPACT FLANGE FRAME**

NO.	DESCRIPTION	BY	DATE



DATE **DEC 18 2023**

THOMAS J. SOTOS, P.E.  
FL P.E. LIC. # 55225

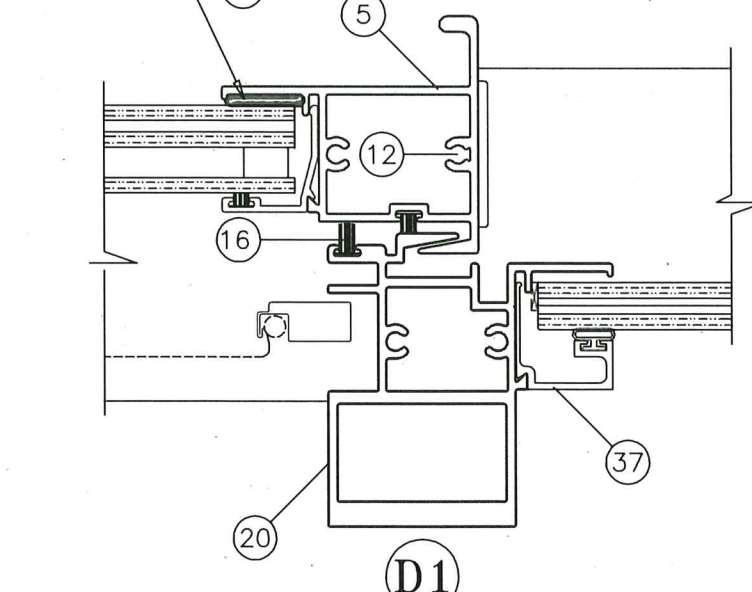
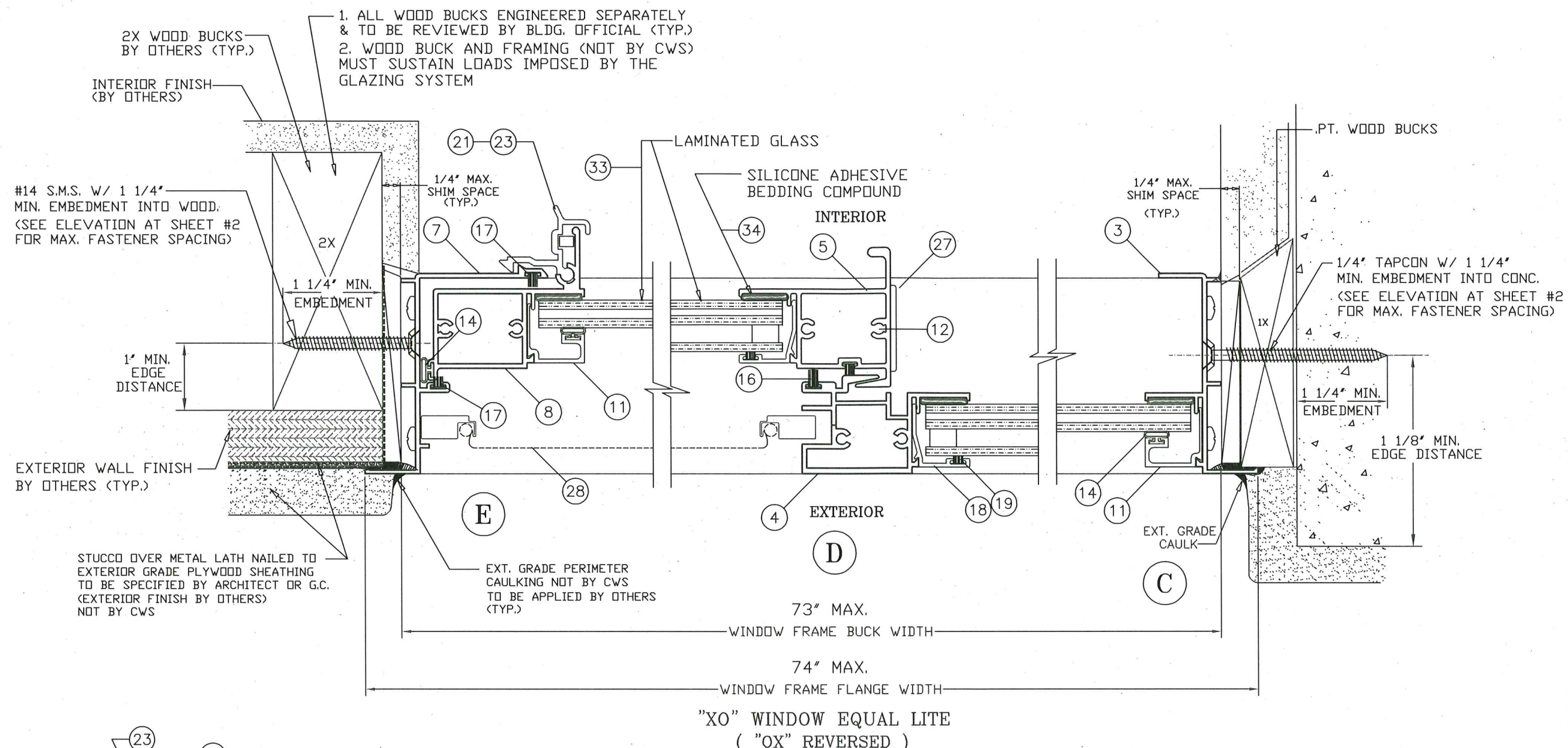
SHEET DESCRIPTION:  
CROSS SECTION DETAILS,  
FIXED INTERLOCK OPTION AND  
FRAME INSTALLATION NOTES

DRAWN BY: N. Erazo	DATE: 12/18/2023
-----------------------	---------------------

REV. BY: ---	DATE: ---
-----------------	--------------

DWG #: CWS-1220	REV #:
--------------------	--------

SCALE: ---	SHEET 4 OF 10
---------------	------------------



**NOTE:**  
H.D. MEETING RAIL FOR 'XD' or 'DX' WINDOWS  
WITH GLASS TYPE '1' (+80.0 DP and -92.0 DP)  
- SEE SHEET 6 OF 10

1. ALL WOOD BUCKS ENGINEERED SEPARATELY & TO BE REVIEWED BY BLDG. OFFICIAL (TYP.)
2. WOOD BUCK AND FRAMING (NOT BY CWS) MUST SUSTAIN LOADS IMPOSED BY THE GLAZING SYSTEM

**WINDOW INSTALLATION NOTES:**

1. THE WINDOW FRAME FLANGE TO BE BACK-BEDDED W/ AN EXT. GRADE CAULK THROUGHOUT THE ENTIRE PERIMETER OF FLANGE BY WINDOW INSTALLER (TYP.)
2. THE EXPOSED EXT. PERIMETER OF THE WINDOW FRAME TO BE SEALED W/ AN APPROVED EXTERIOR GRADE CAULK BY OTHERS (TYP.)

\* WHEN THE GAP BETWEEN THE WINDOW FRAME AND THE BUCK OR MASONRY IS LESS THAN 1/8", SHIMS ARE NOT REQUIRED.

**ANCHORS NOTE:**

ANCHORS TO BE #12 SMS OR WD. SCREWS INTO WOOD, OR 1/4" TAPCONS OR APPROVED CONC. FASTENERS INTO CONC., WITH A MINIMUM OF 1 1/4" PENETRATION INTO WOOD OR CONC. (REFER TO LOAD TABLES FOR QUANTITIES REQUIRED)

PRODUCT REVISED  
as complying with the Florida  
Building Code  
Acceptance No. 24-0116.07  
Expiration Date 04/11/2027  
By *Hely A. M...*  
Miami Date Product Control

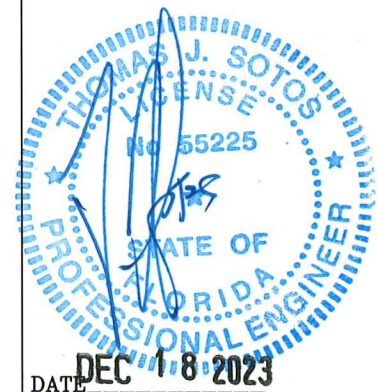




1900 SW 44TH AVE.  
OCALA, FLORIDA 34474  
WWW.CWS.CC

**7200 ALUMINUM  
HORIZONTAL SLIDER -  
IMPACT FLANGE FRAME**

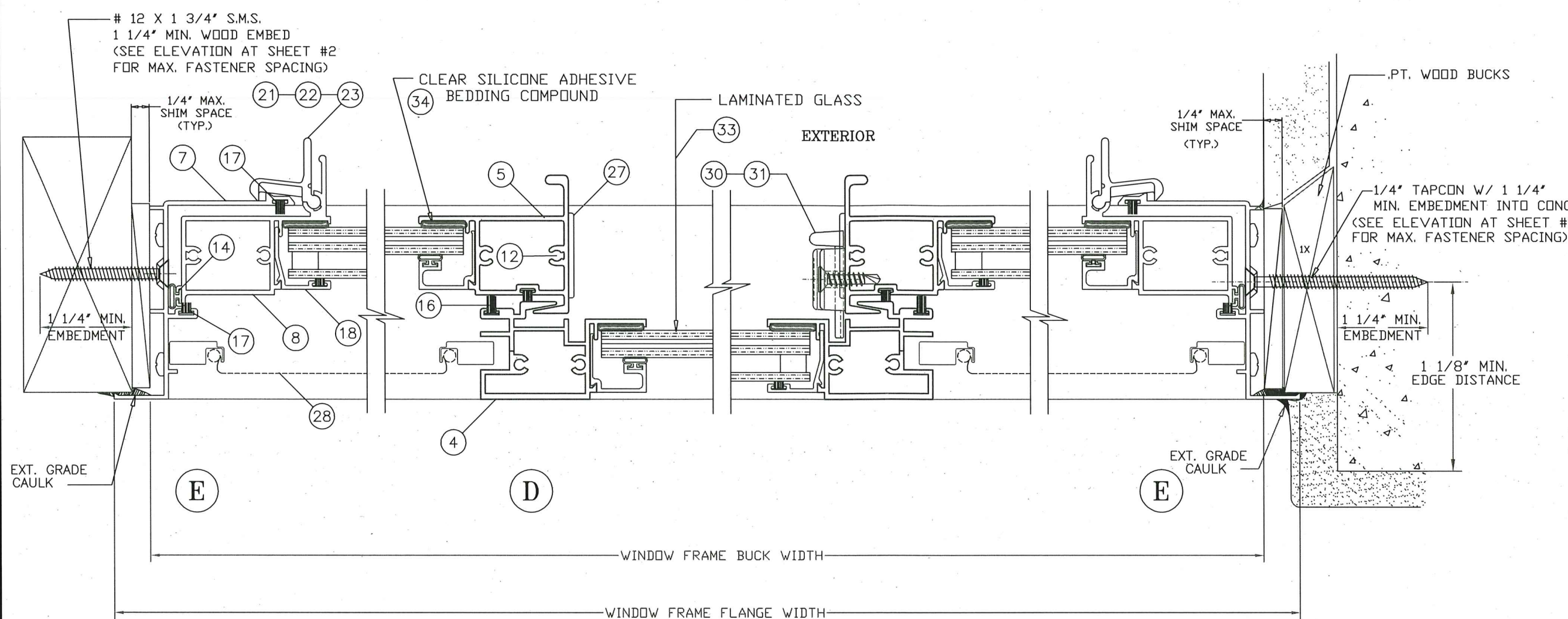
NO.	DESCRIPTION	BY	DATE



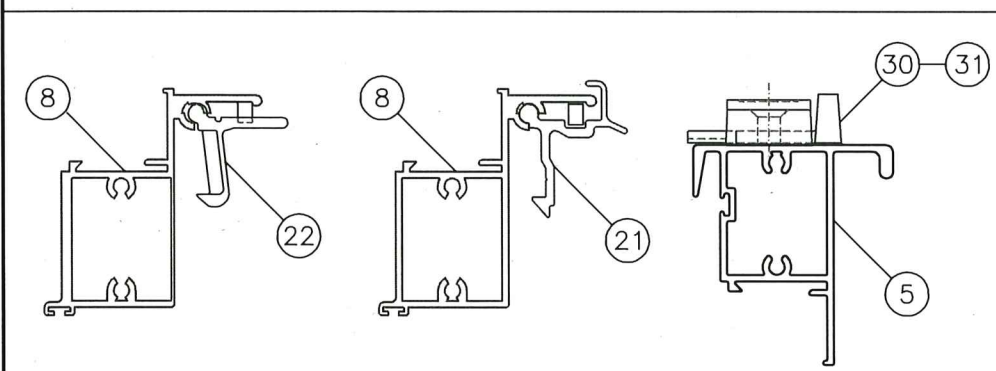
THOMAS J. SOTOS, P.E.  
FL P.E. LIC. # 55225

SHEET DESCRIPTION:  
CROSS SECTION DETAILS,  
LOCK OPTIONS AND  
FRAME INSTALLATION NOTES

DRAWN BY: N. Erazo	DATE: 12/18/2023
REV. BY: ---	DATE: ---
DWG #: CWS-1220	REV #:
SCALE: ---	SHEET 5 OF 10



"XOX" WINDOW EQUAL AND UN-EQUAL LITE



**LOCK (LATCH AND SWEEP) OPTIONS**

1. BOTH EXTRUDED ALUMINUM AND PLASTIC LIFT HANDLE LOCKS ARE QUALIFIED FOR USE ON ALL WINDOWS.
2. BOTH DIE CAST AND NYLON CAM LOCKS ARE QUALIFIED FOR USE ON ALL WINDOWS.
3. TWO (2) LOCKS ARE REQUIRED PER EACH VENT.

**WINDOW INSTALLATION NOTES:**

1. THE WINDOW FRAME FLANGE TO BE BACK-BEDDED W/ AN EXT. GRADE CAULK THROUGHOUT THE ENTIRE PERIMETER OF FLANGE BY WINDOW INSTALLER (TYP.)
2. THE EXPOSED EXT. PERIMETER OF THE WINDOW FRAME TO BE SEALED W/ AN APPROVED EXTERIOR GRADE CAULK BY OTHERS (TYP.)

\* WHEN THE GAP BETWEEN THE WINDOW FRAME AND THE BUCK OR MASONRY IS LESS THAN 1/8", SHIMS ARE NOT REQUIRED.

**ANCHORS NOTE:**

ANCHORS TO BE #12 SMS OR WD. SCREWS INTO WOOD, OR 1/4" TAPCONS OR APPROVED CONC. FASTENERS INTO CONC., WITH A MINIMUM OF 1 1/4" PENETRATION INTO WOOD OR CONC. (REFER TO LOAD TABLES FOR QUANTITIES REQUIRED)

PRODUCT REVISED  
as complying with the Florida  
Building Code  
Acceptance No. 24-0116.07  
Expiration Date 04/11/2027  
By *Hely A. N...*  
Miami Data Product Control

















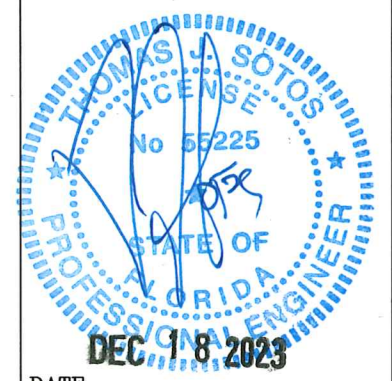




1900 SW 44TH AVE.  
OCALA, FLORIDA 34474  
WWW.CWS.CC

**7200 ALUMINUM  
HORIZONTAL SLIDER -  
IMPACT FLANGE FRAME**

NO.	DESCRIPTION	BY	DATE



DATE: \_\_\_\_\_  
THOMAS J. SOTOS, P.E.  
FL P.E. LIC. # 55225

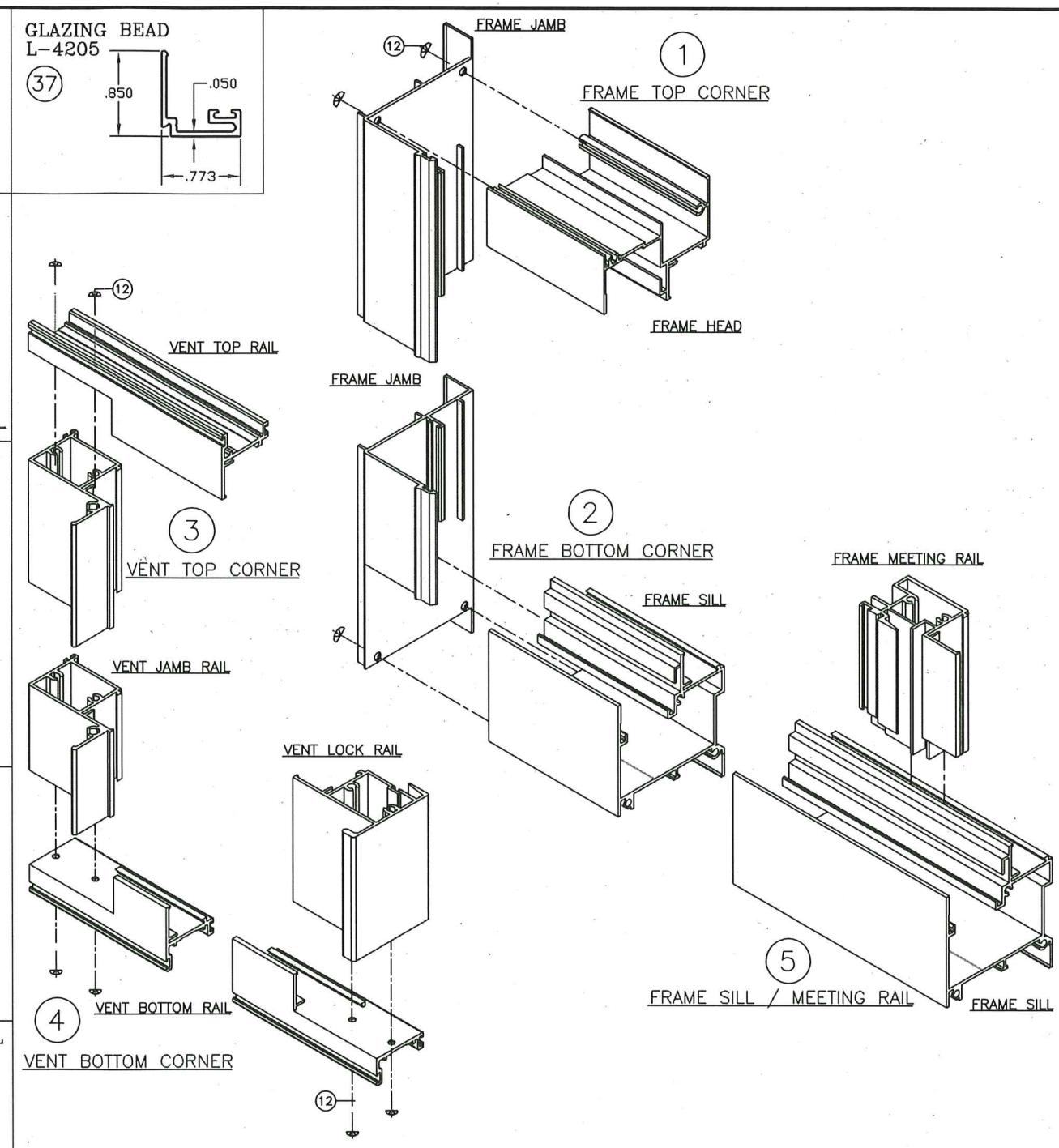
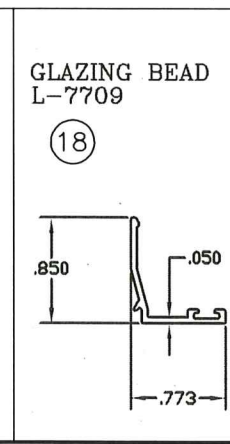
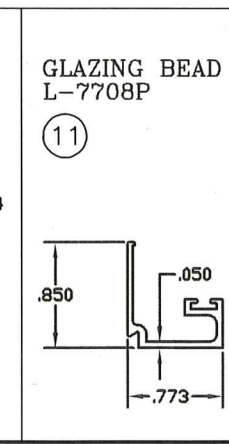
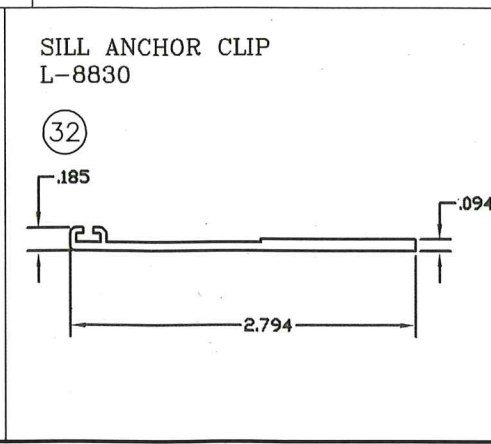
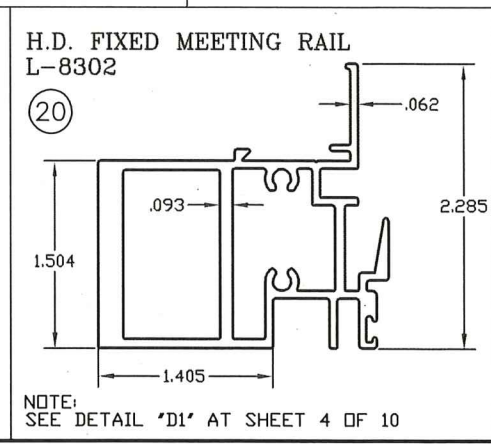
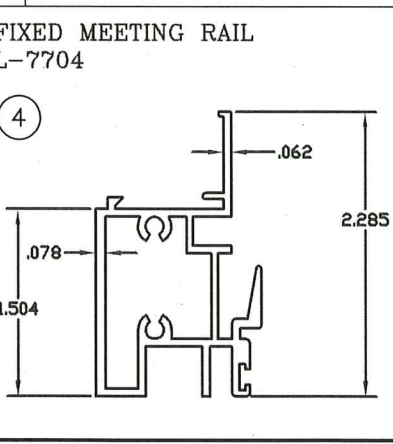
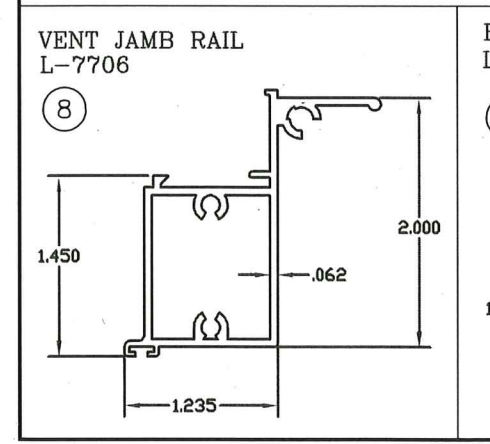
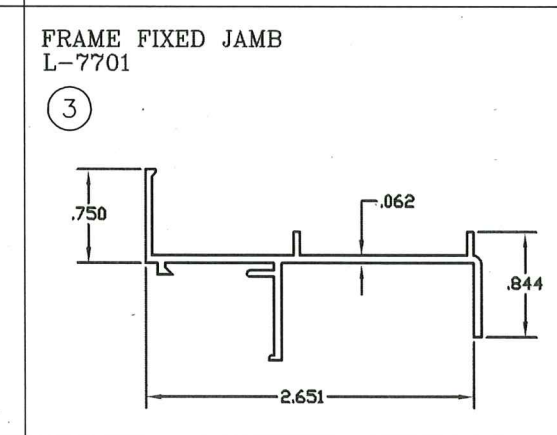
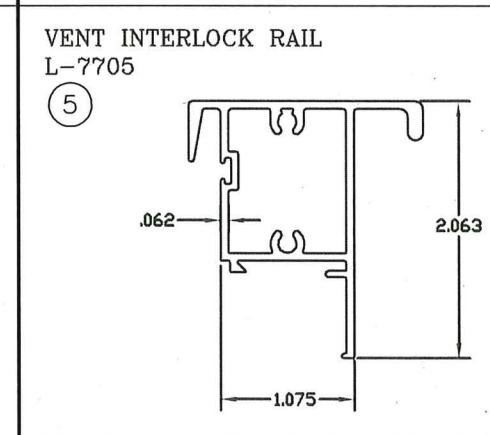
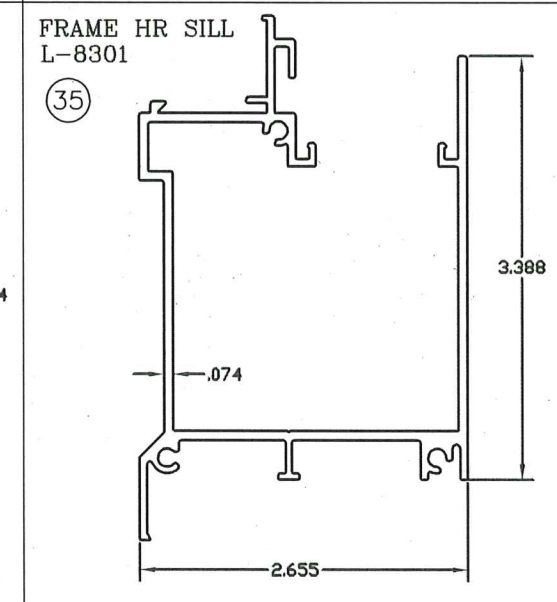
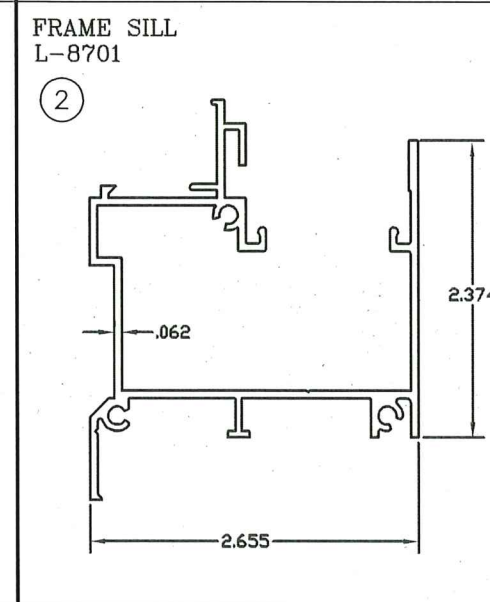
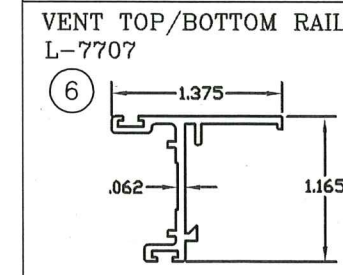
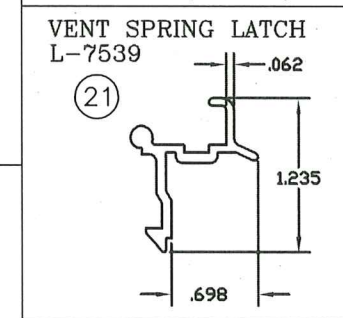
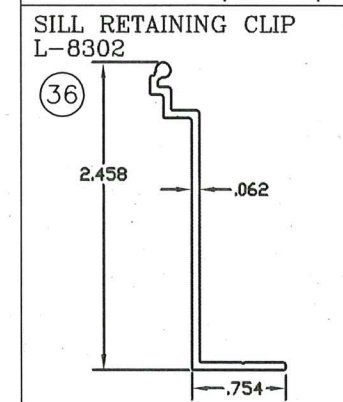
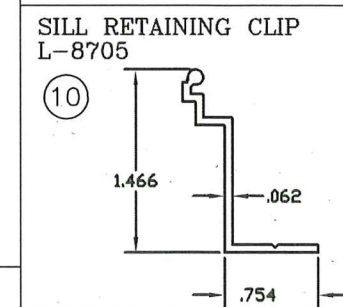
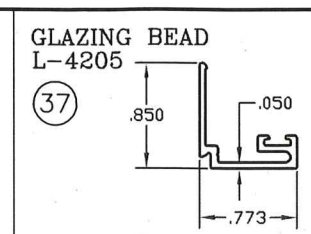
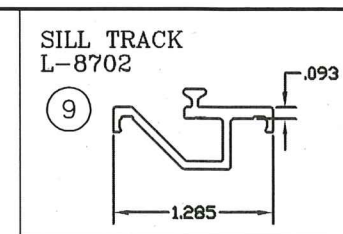
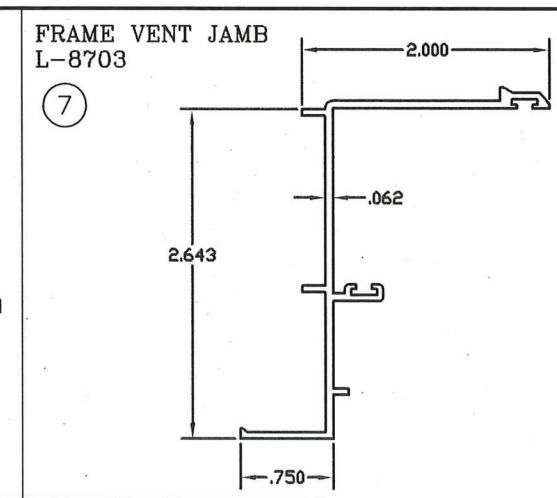
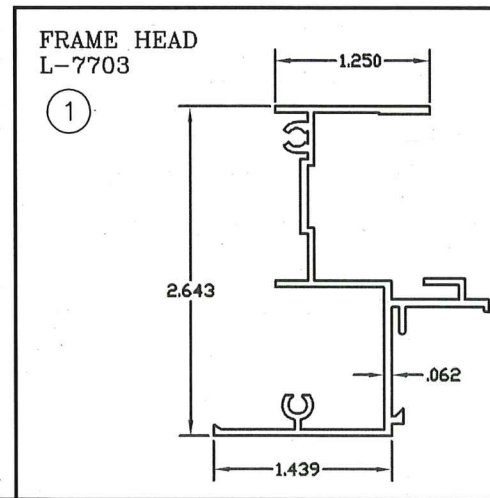
SHEET DESCRIPTION:  
EXTRUSION DETAILS AND  
CORNER ASSEMBLY DETAILS

DRAWN BY: N. Erazo  
DATE: 12/18/2023

REV. BY: ---  
DATE: ---

DWG #: CWS-1220  
REV #: ---

SCALE: ---  
SHEET 10 OF 10



**FRAME & SASH CORNER ASSEMBLY DETAILS**

PRODUCT REVISED  
as complying with the Florida  
Building Code  
Acceptance No. 24-0116.07  
Expiration Date 07/11/2027  
By *Helga Miller*  
Miami Door Product Control