



DEPARTMENT OF REGULATORY AND ECONOMIC RESOURCES (RER)
BOARD AND CODE ADMINISTRATION DIVISION

NOTICE OF ACCEPTANCE (NOA)

MIAMI-DADE COUNTY
PRODUCT CONTROL SECTION
11805 SW 26 Street, Room 208
Miami, Florida 33175-2474
T (786) 315-2590 F (786) 315-2599
www.miamidade.gov/building

Custom Window Systems, Inc.
1900 SW 44th Avenue
Ocala, FL 34474

SCOPE:

This NOA is being issued under the applicable rules and regulations governing the use of construction materials. The documentation submitted has been reviewed and accepted by Miami-Dade County RER - Product Control Section to be used in Miami Dade County and other areas where allowed by the Authority Having Jurisdiction (AHJ).

This NOA shall not be valid after the expiration date stated below. The Miami-Dade County Product Control Section (In Miami-Dade County) and/ or the AHJ (in areas other than Miami-Dade County) reserve the right to have this product or material tested for quality assurance purposes. If this product or material fails to perform in the accepted manner, the manufacturer will incur the expense of such testing and the AHJ may immediately revoke, modify, or suspend the use of such product or material within their jurisdiction. RER reserves the right to revoke this acceptance if it is determined by Miami-Dade County Product Control Section that this product or material fails to meet the requirements of the applicable building code.

This product is approved as described herein, and has been designed to comply with the Florida Building Code, including the High Velocity Hurricane Zone.

DESCRIPTION: Series "7200 (Fin Frame)" Aluminum Horizontal Sliding Window – L.M.I.

APPROVAL DOCUMENT: Drawing No. CWS-1212, titled "7200 Aluminum Horizontal Slider-Fin frame Impact Window", sheets 1 through 5 of 5, dated 12/18/23, prepared by manufacturer and signed and sealed by Thomas J. Sotos, P.E., on 12/18/23, bearing Product Control Revision stamp with the Notice of Acceptance number and the expiration date by the Miami-Dade County Product Control Section.

MISSILE IMPACT RATING: Large and Small Missile Impact Resistant

LABELING: Each unit shall bear a permanent label with the manufacturer's name or logo, city, state, series, and following statement: "Miami-Dade County Product Control Approved", unless otherwise noted herein.

RENEWAL of this NOA shall be considered after a renewal application has been filed and there has been no change in the applicable building code negatively affecting the performance of this product.

TERMINATION of this NOA will occur after the expiration date or if there has been a revision or change in the materials, use, and/ or manufacture of the product or process. Misuse of this NOA as an endorsement of any product, for sales, advertising or any other purposes shall automatically terminate this NOA. Failure to comply with any section of this NOA shall be cause for termination and removal of NOA.

ADVERTISEMENT: The NOA number preceded by the words Miami-Dade County, Florida, and followed by the expiration date may be displayed in advertising literature. If any portion of the NOA is displayed, then it shall be done in its entirety.

INSPECTION: A copy of this entire NOA shall be provided to the user by the manufacturer or its distributors and shall be available for inspection at the job site at the request of the Building Official.

This NOA revises NOA #23-0907.03 and consists of this page 1 and evidence pages E-1, E-2, E-3, E-4 and E-5, as well as approval document mentioned above.

The submitted documentation was reviewed by **Helmy A. Makar, P.E., M.S.**



Helmy A. Makar
02/01/2024

NOA No. 24-0116.08
Expiration Date: 10/09/2028
Approval Date: 02/01/2024

NOTICE OF ACCEPTANCE: EVIDENCE SUBMITTED

1. EVIDENCE SUBMITTED UNDER PREVIOUS NOA's

A. DRAWINGS

1. Manufacturer's die drawings and sections.
(Submitted under NOA No. 08-0701.03)
2. Drawing No **L8800-0801**, titled "HS-8800 Horizontal Rolling Fin Impact Window", sheets 1 through 5 of 5, dated 04/08/08, with revision "D" dated 11/01/17, prepared by manufacturer, and signed and sealed by Thomas J. Sotos, P.E.
(Submitted under NOA No. 17-1212.14)

B. TESTS

1. Test reports on: 1) Air Infiltration Test, per FBC, TAS 202-94
2) Uniform Static Air Pressure Test, Loading per FBC, TAS 202-94
3) Water Resistance Test, per FBC, TAS 202-94
4) Forced Entry Test, per FBC 2411.3.2.1, and TAS 202-94
along with marked-up drawings and installation diagram of an aluminum horizontal sliding window, prepared by Hurricane Engineering & Testing, Inc., Test Report No. **HETI-07-4391**, dated 02/28/08, signed and sealed by Candido F. Font, P.E.
(Submitted under NOA No.08-0701.03)
2. Test reports on: 1) Large Missile Impact Test per FBC, TAS 201-94
2) Cyclic Wind Pressure Loading per FBC, TAS 203-94
along with marked-up drawings and installation diagram of aluminum horizontal sliding windows, all prepared by Hurricane Engineering & Testing, Inc., Test Reports No.'s: **HETI-07-4392**, dated 01/15/08; **HETI-07-4393**, dated 01/15/08; **HETI-07-4395**, dated 01/15/08; **HETI-07-4394**, dated 02/28/08 and **HETI-08-2039**, dated 01/30/08; all signed and sealed by Candido F. Font, P.E.
(Submitted under NOA No.08-0701.03)

C. CALCULATIONS

1. Anchor verification calculations and structural analysis, complying with FBC, dated 06/20/08, prepared by manufacturer, signed and sealed by Thomas J. Sotos, P.E.
(Submitted under NOA No.08-0701.03)
2. Glazing complies with **ASTM E1300-04/09**

D. QUALITY ASSURANCE

1. Miami-Dade Department of Regulatory and Economic Resources (RER).



Helmy A. Makar, P.E., M.S.
Product Control Section Supervisor
NOA No. 24-0116.08
Expiration Date: 10/09/2028
Approval Date: 02/01/2024

NOTICE OF ACCEPTANCE: EVIDENCE SUBMITTED

1. EVIDENCE SUBMITTED UNDER PREVIOUS NOA's (CONTINUED)

E. MATERIAL CERTIFICATIONS


1. Notice of Acceptance No. **17-1114.14** issued to **Kuraray America, Inc.** for their "Trosifol® Ultraclear, Clear and Color PVB Glass Interlayers" dated 01/18/18, expiring on 07/08/19.
2. Notice of Acceptance No. **17-0712.05** issued to **Eastman Chemical Company (MA)** for their "Saflex Clear and Color Glass Interlayers" dated 09/07/17, expiring on 05/21/21.

F. STATEMENTS

1. Statement letter of conformance, complying with **FBC 6th Edition (2017)**, and of "No financial interest" dated November 17, 2017, issued by the manufacturer, signed and sealed by Thomas J. Sotos, P.E.
(Submitted under previous NOA No. 17-1212.14)
2. Statement letter dated 01/22/18 of the editorial drawing changes issued by Lawson Inc., signed by Nelson Erazo, Senior Design Engineer.
(Submitted under previous NOA No. 17-1212.14)
3. Department of State Certification of **LAWSON INDUSTRIES, INC.** as a for profit corporation, active and organized under the laws of the State of Florida, dated 04/11/14 and filed at the Secretary of State.
(Submitted under NOA No. 14-0908.13)
4. Laboratory compliance letter for Test Reports No. **HETI-07-4391, HETI-07-4392, HETI-07-4393, HETI-07-4394, HETI-07-4395** and **HETI-08-2039**, issued by Hurricane Engineering & Testing, Inc., dated 01/15/08 through 02/28/08, all signed and sealed by Candido F. Font, P.E.
(Submitted under NOA No. 08-0701.03)

G. OTHERS

1. Notice of Acceptance No. **17-1212.14**, issued to Lawson Industries, Inc. for their Series "HS-8800 Fin Frame" Aluminum Horizontal Sliding Window – L.M.I., approved on 02/01/18 and expiring on 10/09/18.



Helmy A. Makar, P.E., M.S.
Product Control Section Supervisor
NOA No. 24-0116.08
Expiration Date: 10/09/2028
Approval Date: 02/01/2024

NOTICE OF ACCEPTANCE: EVIDENCE SUBMITTED

2. **EVIDENCE SUBMITTED under previous approval**

A. **DRAWINGS**

1. Drawing No **L8800-0801**, titled “HS-8800 Horizontal Rolling Fin Impact Window”, sheets 1 through 5 of 5, dated 04/08/08, with revision “E” dated 07/31/20, prepared by manufacturer, and signed and sealed by Thomas J. Sotos, P.E..

B. **TESTS**

1. None

C. **CALCULATIONS**

1. None.

D. **QUALITY ASSURANCE**

1. Miami-Dade Department of Regulatory and Economic Resources (RER)

E. **MATERIAL CERTIFICATIONS**

1. Notice of Acceptance No. **19-0305.02** issued to **Kuraray America, Inc.** for their “Trosifol® Ultraclear, Clear and Color PVB Glass Interlayers” dated 05/09/19, expiring on 07/08/24.
2. Notice of Acceptance No. **20-0622.01** issued to **Eastman Chemical Company (MA)** for their “Saflex PVB Clear and Color Glass Interlayers” dated 08/06/20, expiring on 05/21/21.

F. **STATEMENTS**

1. Statement letter of conformance, complying with **FBC 7th Edition (2020)**, dated August 03, 2020, issued by the manufacturer, signed and sealed by Thomas J. Sotos, P.E.

G. **OTHERS**

1. Notice of Acceptance No. **18-0808.06**, issued to Lawson Industries, Inc. for their Series “HS-8800 Fin Frame” Aluminum Horizontal Sliding Window – L.M.I., approved on 09/20/18 and expiring on 10/09/23.



Helmy A. Makar, P.E., M.S.
Product Control Section Supervisor
NOA No. 24-0116.08
Expiration Date: 10/09/2028
Approval Date: 02/01/2024

NOTICE OF ACCEPTANCE: EVIDENCE SUBMITTED

4. EVIDENCE SUBMITTED UNDER PREVIOUS APPROVAL NOA 323-0907.03

A. DRAWINGS

1. Drawing No. **L8800-0801 Rev F** titled "HS-8800 Horizontal Rolling Fin Impact Window", sheets 1 through 5 of 5, dated 04/08/08 and last revised on SEP 06, 2023, prepared by manufacturer and signed and sealed by Thomas J. Sotos, P.E.

Note: The revision consists of addition of addition of Quanex: Super/ Duraseal spacers.

B. TESTS

1. Test reports on: 1) Air Infiltration Test, per FBC, TAS 202-94
2) Uniform Static Air Pressure Test, Loading per FBC, TAS 202-94
3) Water Resistance Test, per FBC, TAS 202-94
4) Large Missile Impact Test per FBC, TAS 201-94
5) Cyclic Wind Pressure Loading per FBC, TAS 203-94
along with marked-up drawings and installation diagram of an aluminum horizontal sliding window, prepared by Hurricane Engineering & Testing, Inc., Test Report No. **HETI-23-0849**, dated 07/24/23, signed and sealed by Ram N. Tewari, P.E.

C. CALCULATIONS

1. None.

D. QUALITY ASSURANCE

1. Miami-Dade Department of Regulatory and Economic Resources (RER)

E. MATERIAL CERTIFICATIONS


1. Notice of Acceptance No. **19-0305.02** issued to **Kuraray America, Inc.** for their "**Trosifol® Ultraclear, Clear and Color PVB Glass Interlayers**" dated 05/09/19, expiring on 07/08/24.
2. Notice of Acceptance No. **23-0713.18** issued to **Eastman Chemical Company (MA)** for their "**Saflex PVB Clear and Color Glass Interlayers**", expiring on 05/21/26.

F. STATEMENTS

1. Statement letter of conformance, complying with **FBC 8th Edition (2023)**, dated 09/26/23, issued by the manufacturer, signed and sealed by Thomas J. Sotos, P.E.

G. OTHERS

1. This NOA **revises & renews NOA No. 20-0813.05**, updates to FBC 2023, expiring 10/09/28.
2. RER Test proposal **#23-0461R** dated 06/16/23, signed by Manny Perez, P.E.



Helmy A. Makar, P.E., M.S.
Product Control Section Supervisor
NOA No. 24-0116.08
Expiration Date: 10/09/2028
Approval Date: 02/01/2024

NOTICE OF ACCEPTANCE: EVIDENCE SUBMITTED

5. NEW EVIDENCE SUBMITTED

A. DRAWINGS

1. Drawing No. **CWS-1212**, titled “7200 Aluminum Horizontal Slider-Fin frame Impact Window”, sheets 1 through 5 of 5, dated 12/18/23, prepared by manufacturer and signed and sealed by Thomas J. Sotos, P.E., on 12/18/23.

B. TESTS

1. None.

C. CALCULATIONS

1. None.

D. QUALITY ASSURANCE

1. Miami-Dade Department of Regulatory and Economic Resources (RER)

E. MATERIAL CERTIFICATIONS

1. None.

F. STATEMENTS

1. Statement letter of conformance, complying with **FBC 8th Edition (2023)**, dated 12/18, 2023, issued by the manufacturer, signed and sealed by Thomas J. Sotos, P.E.
2. Statement letter of no financial interest, dated December 18, 2023, issued by the manufacturer, signed and sealed by Thomas J. Sotos, P.E.
3. Private Labeling Agreement document in conformance to Product Control guidelines dated 01/11/24, signed by Kevin E. Pine, Vice President.

G. OTHERS

1. Notice of Acceptance No. **23-0907.03**, issued to Lawson Industries, Inc. for their Series “hS-8800 (Fin Frame)” Aluminum Horizontal Sliding Window – L.M.I., approved on 10/05/23 and expiring on 10/09/28.

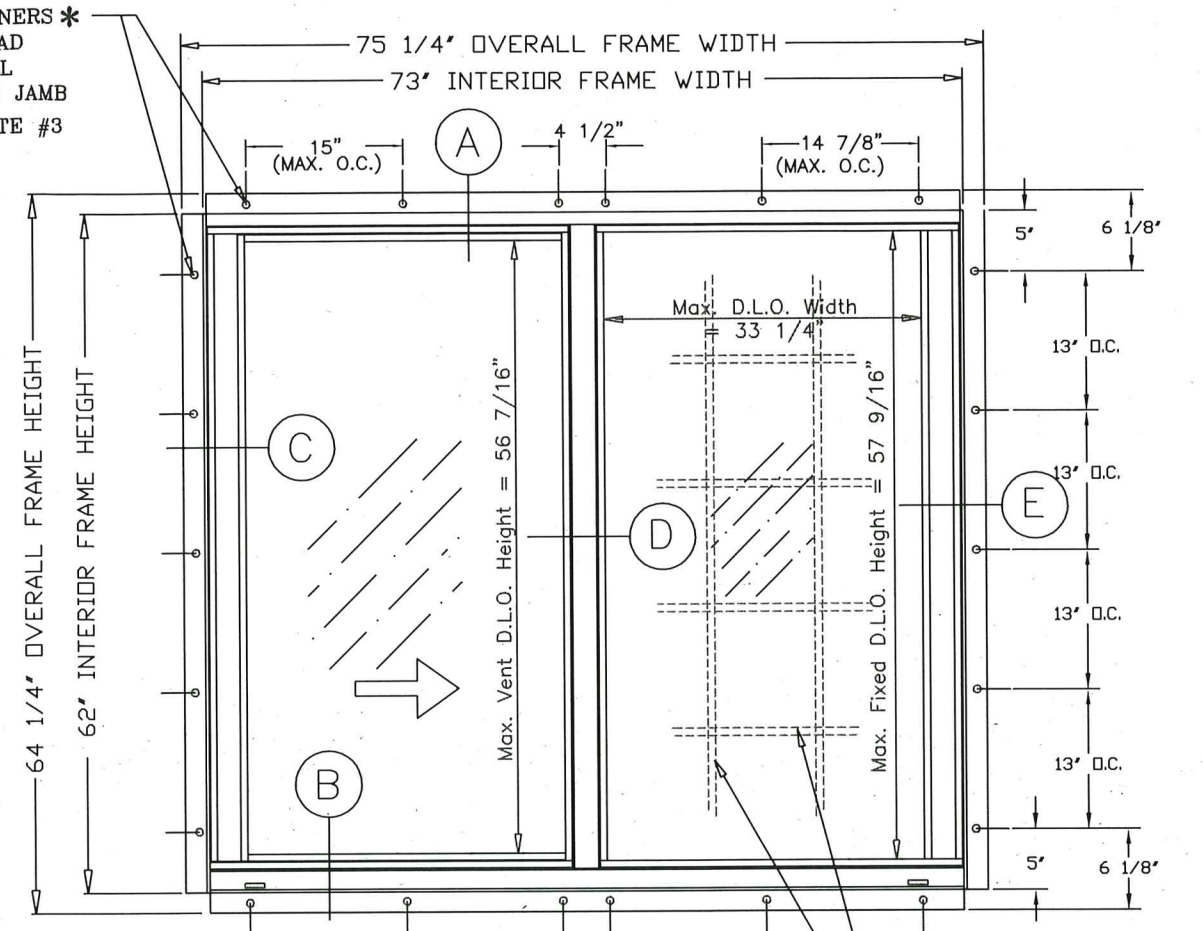


Helmy A. Makar, P.E., M.S.
Product Control Section Supervisor
NOA No. 24-0116.08
Expiration Date: 10/09/2028
Approval Date: 02/01/2024

General Notes:

- 1.) THIS WINDOW SYSTEM IS DESIGNED AND TESTED TO COMPLY WITH THE REQUIREMENTS OF THE FLORIDA BUILDING CODE (2020-7th Edition & 2023-8th Edition) INCLUDING HIGH VELOCITY HURRICANE ZONE (HVHZ) AND ASTM 1300-09. THIS PRODUCT IS IMPACT RESISTANT AND DOES NOT REQUIRE SHUTTERS.
- 2.) 2 X WOOD BUCKS SHALL BE INSTALLED AND ANCHORED SO THAT THE BUILDING RESISTS THE SUPERIMPOSED LOADS IN ACCORDANCE WITH THE REQUIREMENTS OF FLORIDA BUILDING CODE & TO BE REVIEWED BY BUILDING OFFICIAL.
- 3.) ANCHORS SHOWN ABOVE ARE AS PER TEST UNITS. ON CENTER (O.C.) ANCHOR SPACINGS WILL VARY WITH UNIT DIMENSIONS, AND THE NUMBER OF ANCHORS REQUIRED, AS SPECIFIED ON THE LOAD TABLES.
- 4.) ANCHOR CONDITIONS NOT DESCRIBED IN THESE DRAWING'S ARE TO BE ENGINEERED ON A SITE SPECIFIC BASIS, UNDER SEPARATE APPROVAL AND TO BE REVIEWED BY BUILDING OFFICIAL.
- 5.) XO or OX WINDOWS ARE QUALIFIED FOR USE WITH SINGLE GLAZE LAMINATED GLASS TYPES TABULATED HEREIN (SEE SHEET #4).
- 6.) XO or OX WINDOWS ARE QUALIFIED FOR USE WITH DOUBLE GLAZE LAMINATED INSULATED GLASS TYPES TABULATED HEREIN (SEE SHEET #4).
- 7.) SEE SHEET #3 FOR LOCK DETAILS & OPTIONS.
- 8.) SEE SHEET #1 FOR GLAZING DETAILS & OPTIONS. (REFER TO SHEETS #4, FOR MAX. DESIGN PRESSURES.
- 9.) WOOD OPENINGS SHALL BE PROTECTED WITH AN APPROVED MOISTURE RESISTANT WEATHERBARRIER (BY OTHERS), PRIOR TO WINDOW INSTALLATION. (SEE SHEET #3 FOR INSTALLATION DETAIL)
- 10.) MATERIALS INCLUDING BUT NOT LIMITED TO STEEL SCREWS, THAT COME INTO CONTACT WITH OTHER DISSIMILAR MATERIALS SHALL MEET THE REQUIREMENTS OF FLORIDA BUILDING CODE SECTION 2003.8.4

INSTALLATION FASTENERS *
 (A) 6 AT FRAME HEAD
 (B) 6 AT FRAME SILL
 (C) 5 AT EA. FRAME JAMB
 *SEE GENERAL NOTE #3



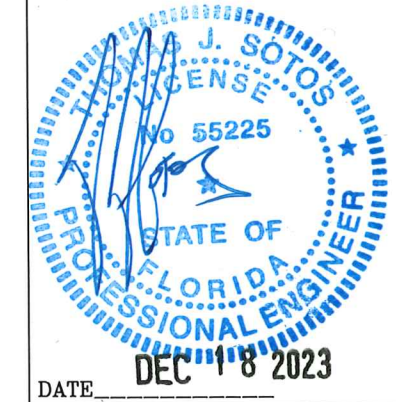
NOTE: SAME ANCHOR SPACING AT HEAD & SILL
 EXT. & INT. FALSE COLONIAL MUNTINS ARE APPLIED W/ W/ SILICONE AND ARE AVAILABLE AS OPTIONAL.

"XO" WINDOW ELEVATION
 ("OX" REVERSED)
HORIZONTAL SLIDER WINDOW - IMPACT FIN FRAME



7200 ALUMINUM HORIZONTAL SLIDER - IMPACT FIN FRAME

NO.	DESCRIPTION	BY	DATE



THOMAS J. SOTOS, P.E.
 FL P.E. LIC. # 55225

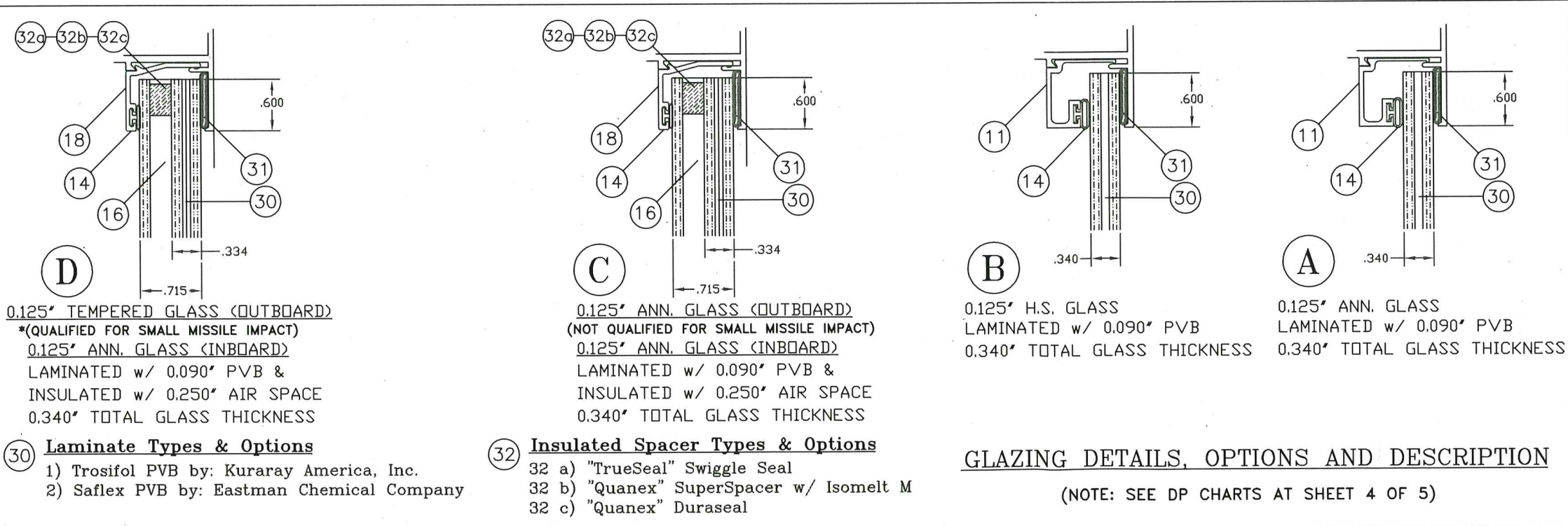
SHEET DESCRIPTION:
 APPROVED ELEVATION,
 GLAZING DETAILS AND
 GENERAL NOTES

DRAWN BY: N. Erazo
 DATE: 12/18/2023

REV. BY: ---
 DATE: ---

DWG #: CWS-1212
 REV #: ---

SCALE: ---
 SHEET 1 OF 5



D
 0.125" TEMPERED GLASS (OUTBOARD)
 *(QUALIFIED FOR SMALL MISSILE IMPACT)
 0.125" ANN. GLASS (INBOARD)
 LAMINATED w/ 0.090" PVB &
 INSULATED w/ 0.250" AIR SPACE
 0.340" TOTAL GLASS THICKNESS

C
 0.125" ANN. GLASS (OUTBOARD)
 (NOT QUALIFIED FOR SMALL MISSILE IMPACT)
 0.125" ANN. GLASS (INBOARD)
 LAMINATED w/ 0.090" PVB &
 INSULATED w/ 0.250" AIR SPACE
 0.340" TOTAL GLASS THICKNESS

B
 0.125" H.S. GLASS
 LAMINATED w/ 0.090" PVB
 0.340" TOTAL GLASS THICKNESS

A
 0.125" ANN. GLASS
 LAMINATED w/ 0.090" PVB
 0.340" TOTAL GLASS THICKNESS

30 **Laminate Types & Options**
 1) Trosifol PVB by: Kuraray America, Inc.
 2) Saflex PVB by: Eastman Chemical Company

32 **Insulated Spacer Types & Options**
 32 a) "TrueSeal" Swiggle Seal
 32 b) "Quanex" SuperSpacer w/ Isomelt M
 32 c) "Quanex" Duraseal

GLAZING DETAILS, OPTIONS AND DESCRIPTION
 (NOTE: SEE DP CHARTS AT SHEET 4 OF 5)

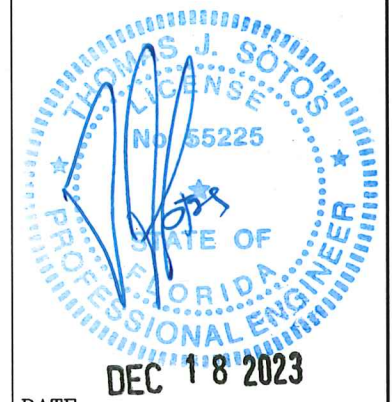
PRODUCT REVISED
 as complying with the Florida
 Building Code
 Acceptance No. 24-0116.08
 Expiration Date 10/09/2028
 By: *[Signature]*
 Miami Product Control



1900 SW 44TH AVE.
OCALA, FLORIDA 34474
WWW.CWS.CC

**7200 ALUMINUM
HORIZONTAL SLIDER -
IMPACT FIN FRAME**

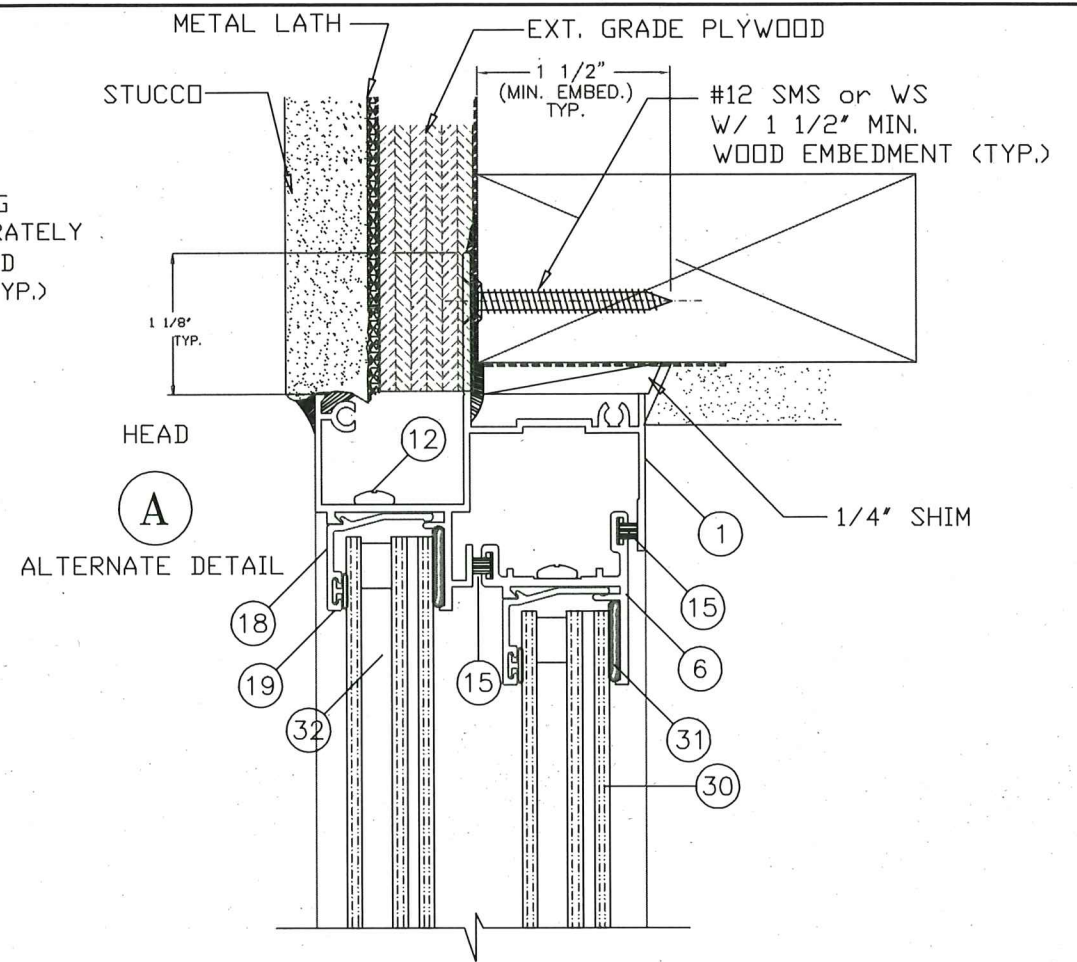
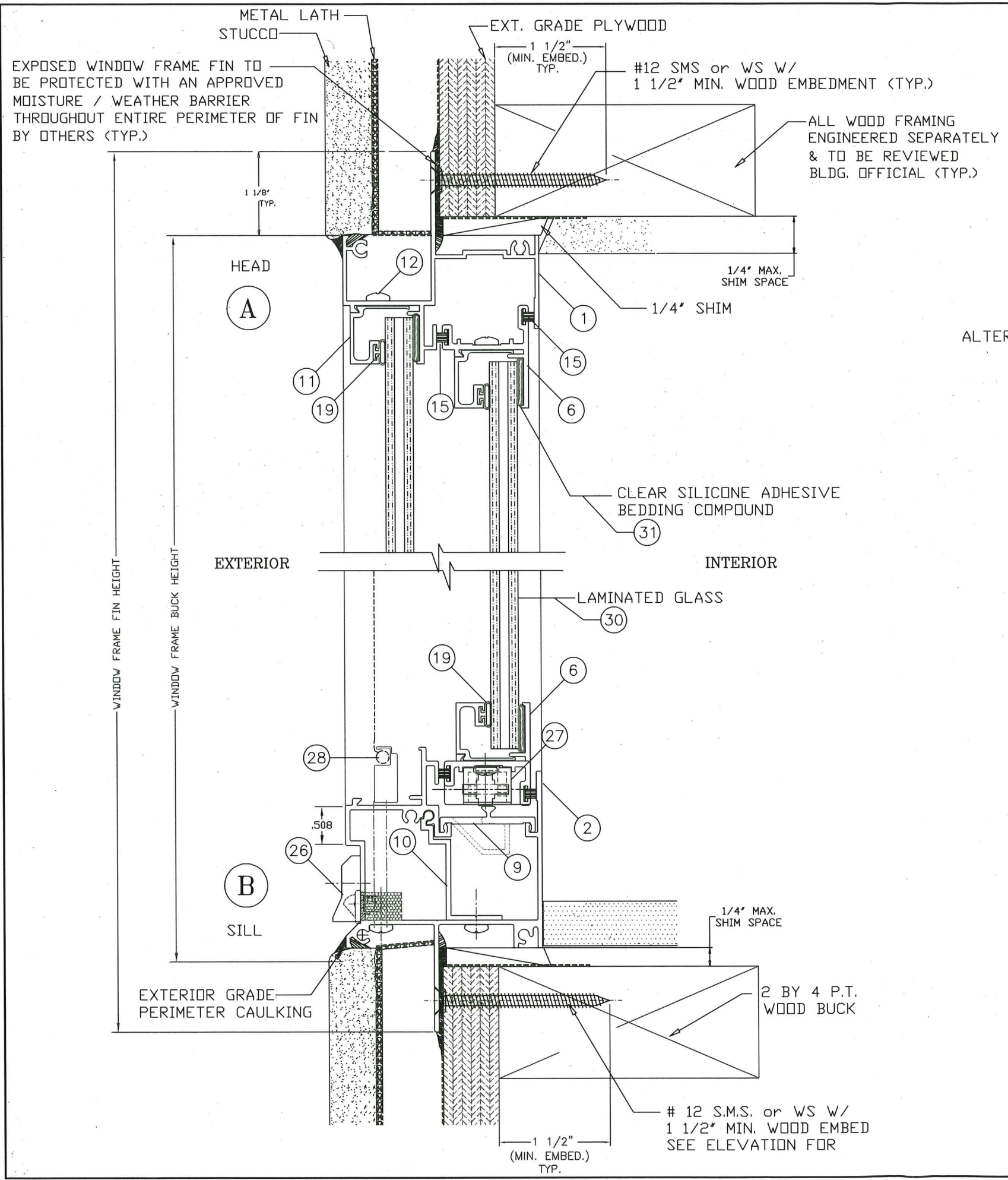
NO.	DESCRIPTION	BY	DATE



DATE: **DEC 18 2023**
THOMAS J. SOTOS, P.E.
FL P.E. LIC. # 55225

SHEET DESCRIPTION:
VERTICAL CROSS SECTION,
NOTES AND FRAME
INSTALLATION DETAILS

DRAWN BY: N. Erazo	DATE: 12/18/2023
REV. BY: ---	DATE: ---
DWG #: CWS-1212	REV #: ---
SCALE: ---	SHEET 2 OF 5



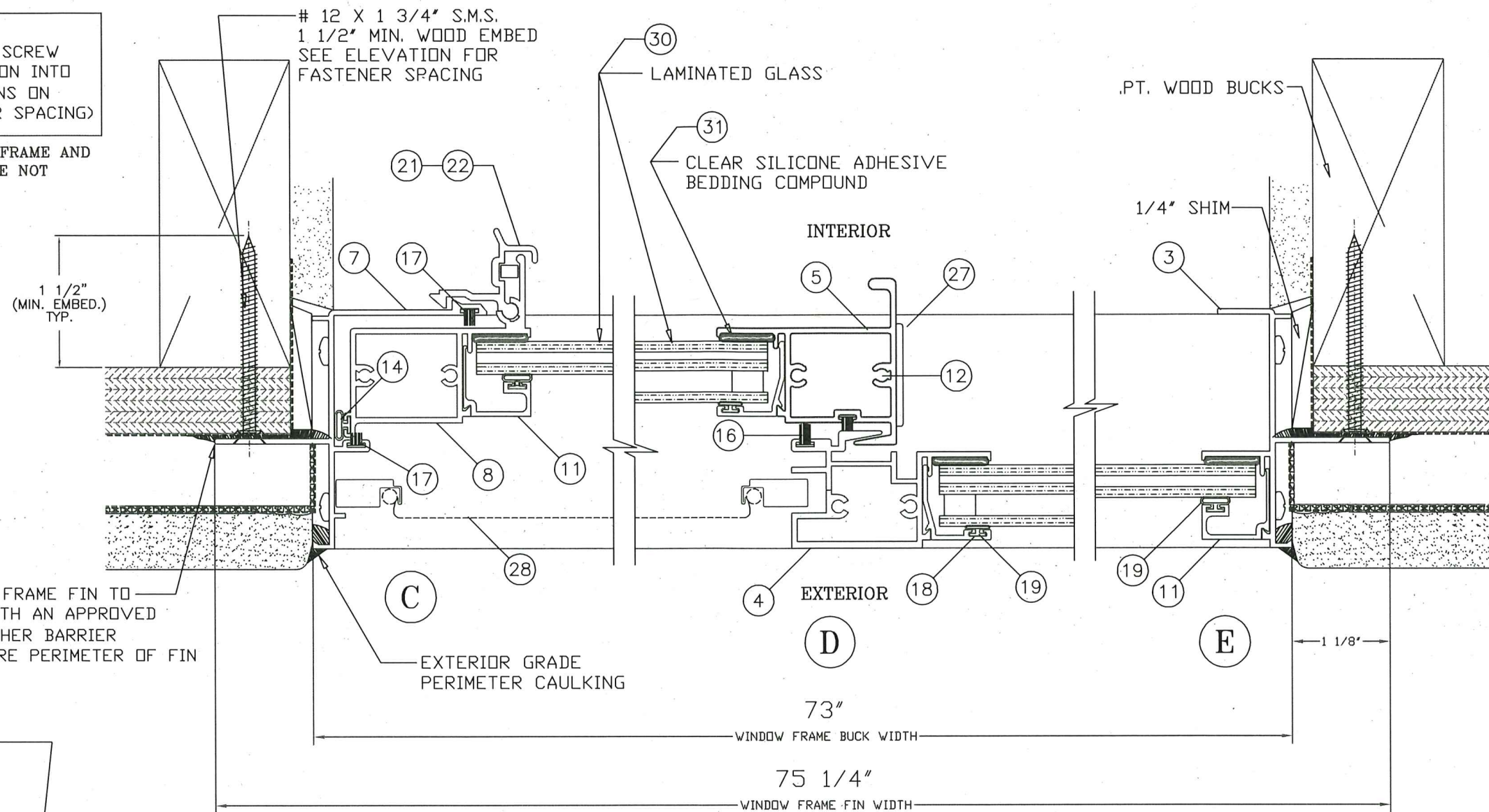
NOTE:
ALL ANCHORS TO BE #12 SMS OR WD. SCREW WITH A MINIMUM OF 1 1/2\"/>

* WHEN THE GAP BETWEEN THE WINDOW FRAME AND THE BUCK IS LESS THAN 1/8\", SHIMS ARE NOT REQUIRED.

PRODUCT REVISED
as complying with the Florida
Building Code
Acceptance No. **24-0116.08**
Expiration Date **10/09/2028**
By **Heidi A. Miller**
Miami Data Product Control

NOTE:
ALL ANCHORS TO BE #12 SMS OR WD. SCREW WITH A MINIMUM OF 1 1/2" PENETRATION INTO WOOD. (REFER TO WINDOW ELEVATIONS ON SHEET 1 FOR MAX. ALLOWABLE ANCHOR SPACING)

* WHEN THE GAP BETWEEN THE WINDOW FRAME AND THE BUCK IS LESS THAN 1/8", SHIMS ARE NOT REQUIRED.



EXPOSED WINDOW FRAME FIN TO BE PROTECTED WITH AN APPROVED MOISTURE / WEATHER BARRIER THROUGHOUT ENTIRE PERIMETER OF FIN BY OTHERS (TYP.)

EXT. GRADE BACK BEDDING TO BE APPLIED BEHIND WINDOW FRAME FIN BY INSTALLER (TYP.)

WEATHERPROOF BARRIER BY OTHERS (TYP.)

WINDOW INSTALLATION NOTES:

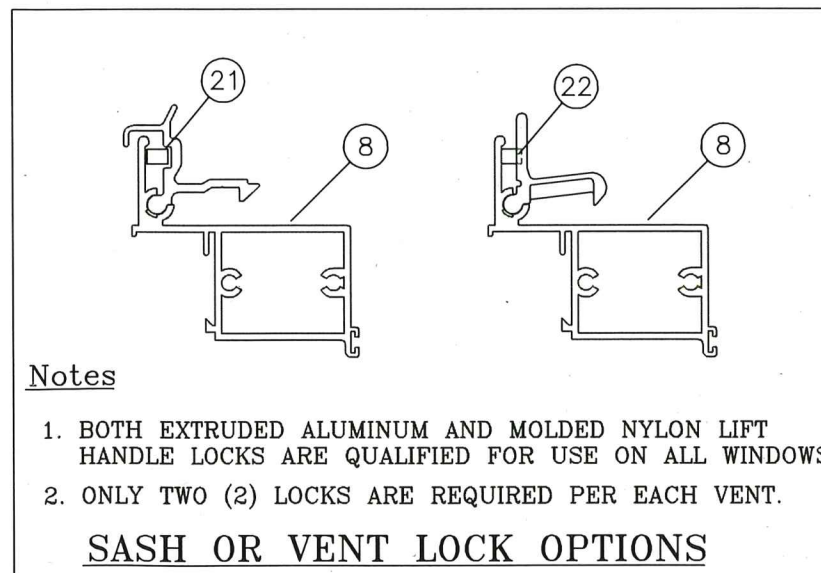
1. THE WINDOW OPENING MUST BE PROTECTED WITH A CODE APPROVED FELT OR MOISTURE/WEATHER BARRIER, APPROX. 12" WIDE THROUGHOUT ENTIRE PERIMETER OF THE WINDOW MOUNTING FIN. (NOT BY CWS)
2. THE WINDOW FRAME FIN TO BE BACK-BEDDED W/ AN EXT. GRADE CAULK THROUGHOUT THE ENTIRE PERIMETER OF FIN BY WINDOW INSTALLER (TYP.)
3. THE EXPOSED EXT. PERIMETER OF THE WINDOW FRAME TO BE SEALED W/ AN APPROVED EXTERIOR GRADE CAULK BY OTHERS (TYP.)

WINDOW FRAME FIN

EXT. GRADE PERIMETER CAULKING NOT BY CWS TO BE APPLIED BY OTHERS (TYP.)

STUCCO OR EXTERIOR FINISH BY OTHERS (TYP.)

WINDOW INSTALLATION DETAIL



Notes

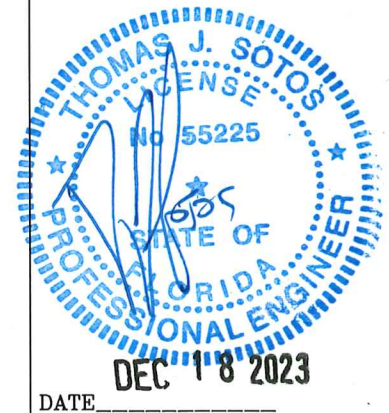
1. BOTH EXTRUDED ALUMINUM AND MOLDED NYLON LIFT HANDLE LOCKS ARE QUALIFIED FOR USE ON ALL WINDOWS.
2. ONLY TWO (2) LOCKS ARE REQUIRED PER EACH VENT.

SASH OR VENT LOCK OPTIONS

PRODUCT REVISED as complying with the Florida Building Code
Acceptance No 24-0116.08
Expiration Date 10/09/2028
By *[Signature]*
Miami Dade Product Control

7200 ALUMINUM HORIZONTAL SLIDER - IMPACT FIN FRAME

NO.	DESCRIPTION	BY	DATE



THOMAS J. SOTOS, P.E.
FL P.E. LIC. # 55225

SHEET DESCRIPTION:
CROSS SECTION DETAILS, VENT LOCK OPTIONS, NOTES AND FRAME INSTALLATION DETAILS

DRAWN BY:	DATE:
N. Erazo	12/18/2023
REV. BY:	DATE:
---	---
DWG #:	REV #:
CWS-1212	
SCALE:	SHEET
---	3 OF 5

**7200 ALUMINUM
HORIZONTAL SLIDER -
IMPACT FIN FRAME**

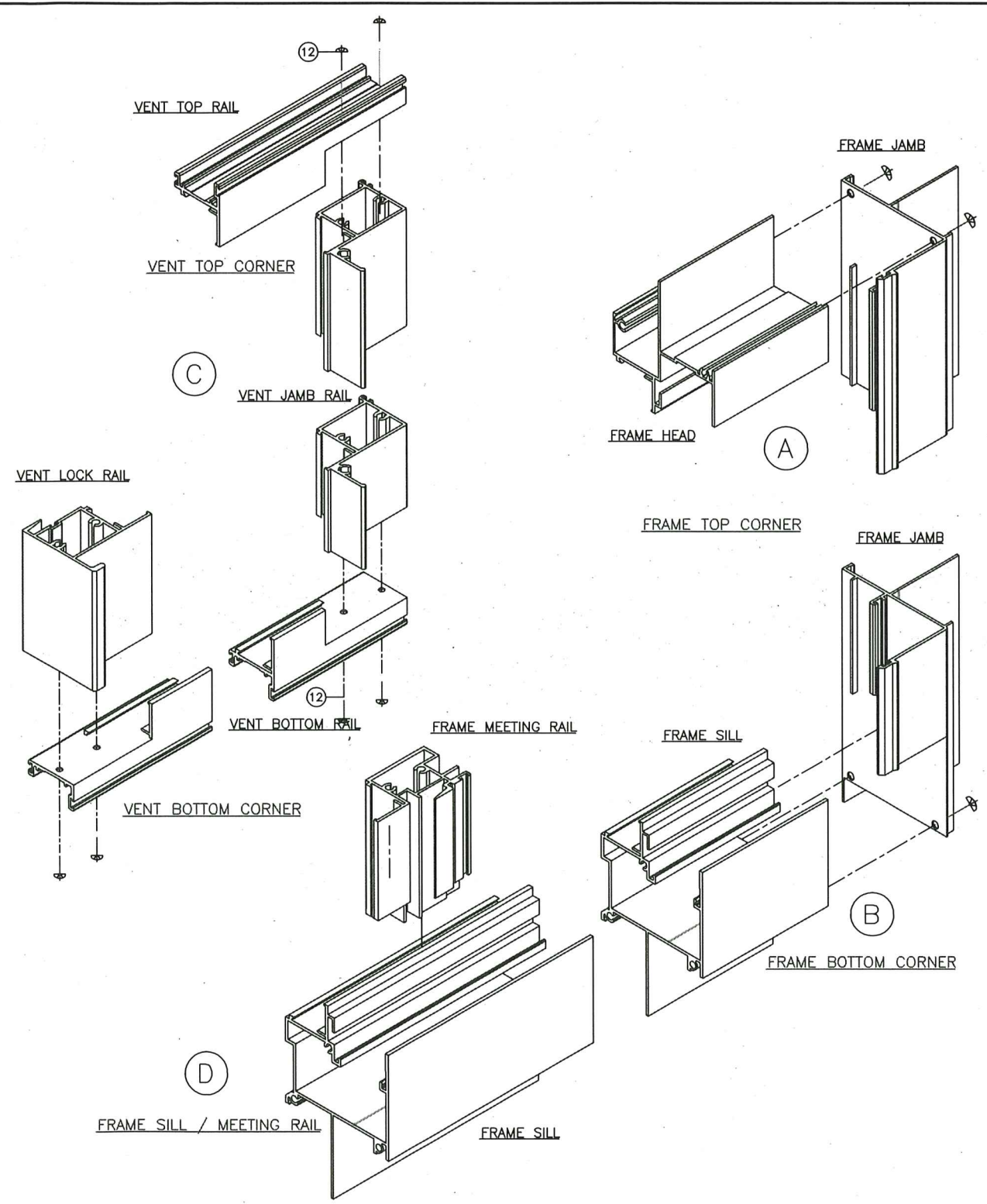
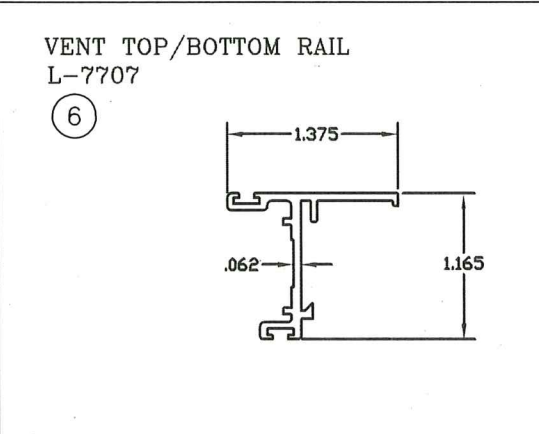
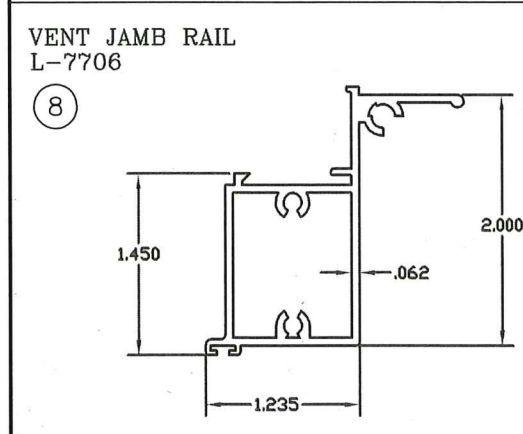
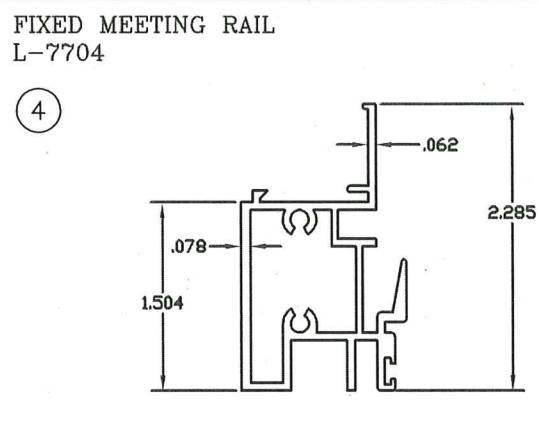
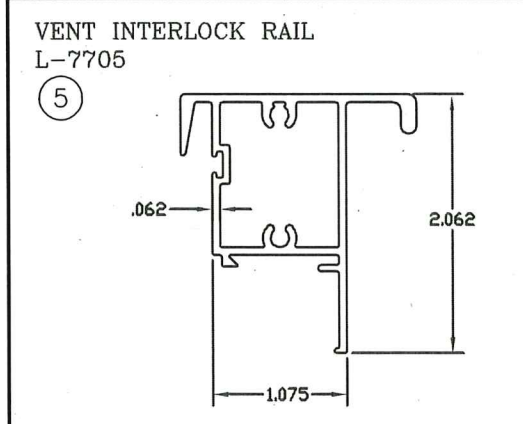
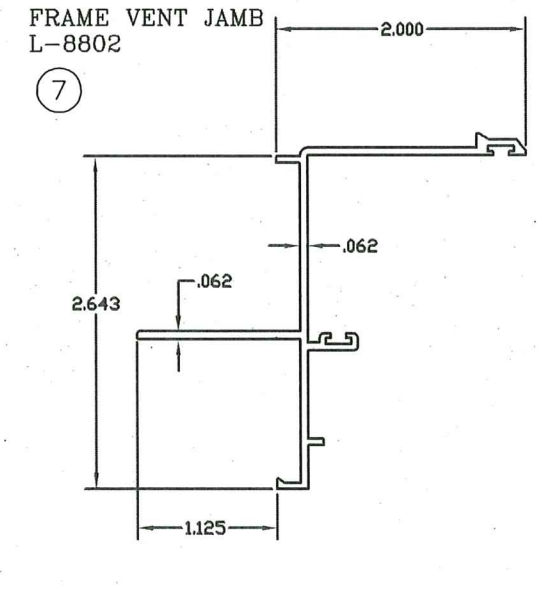
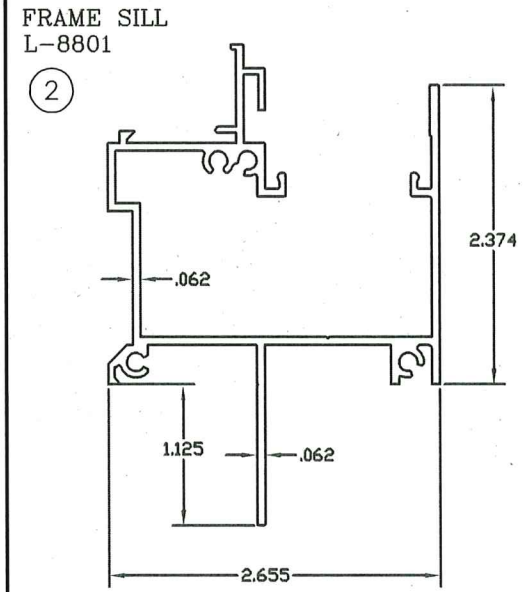
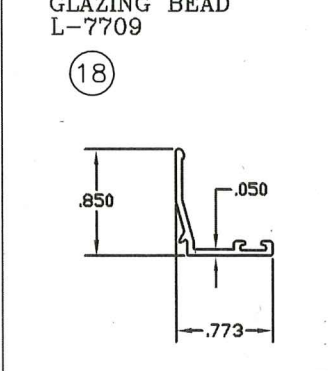
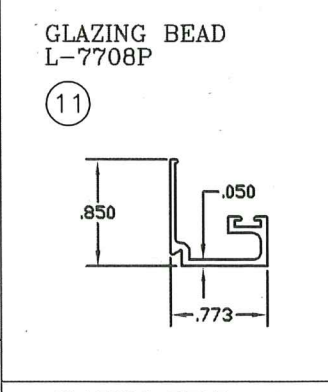
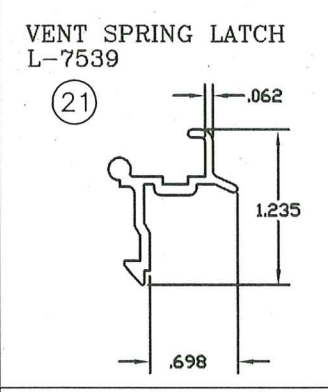
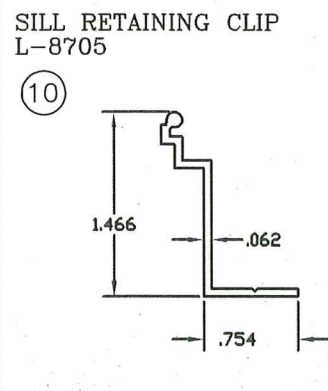
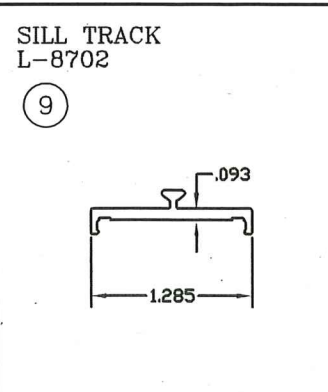
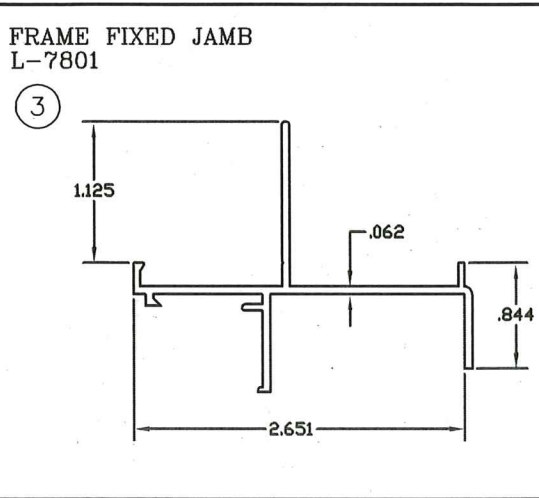
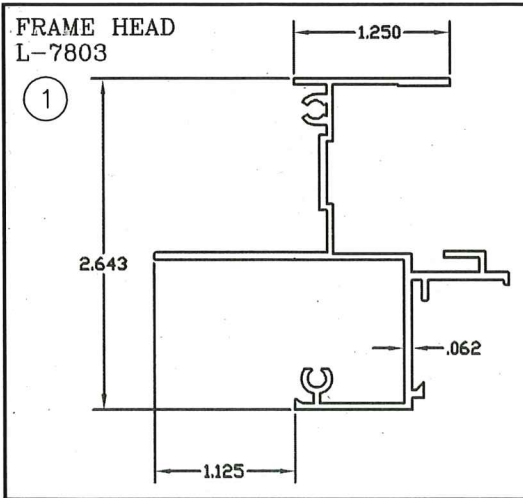
NO.	DESCRIPTION	BY	DATE



DATE: **DEC 18 2023**
THOMAS J. SOTOS, P.E.
 FL P.E. LIC. # 55225

SHEET DESCRIPTION:
 EXTRUSION DETAILS AND
 CORNER ASSEMBLY DETAILS

DRAWN BY: N. Erazo	DATE: 12/18/2023
REV. BY: ---	DATE: ---
DWG #: CWS-1212	REV #: ---
SCALE: ---	SHEET 5 OF 5



FRAME & SASH CORNER ASSEMBLY DETAILS

PRODUCT REVISED
 as complying with the Florida
 Building Code
 Acceptance No. **24-0116-08**
 Expiration Date **10/09/2028**
 By *Helya*
 Miami Dade Product Control