



DEPARTMENT OF REGULATORY AND ECONOMIC RESOURCES (RER)  
 BOARD AND CODE ADMINISTRATION DIVISION  
**NOTICE OF ACCEPTANCE (NOA)**

**Custom Window System, Inc.**  
 1900 SW 44<sup>th</sup> Ave.,  
 Ocala, FL 34474

**SCOPE:**

This NOA is being issued under the applicable rules and regulations governing the use of construction materials. The documentation submitted has been reviewed and accepted by Miami-Dade County RER Product Control Section to be used in Miami Dade County and other areas where allowed by the Authority Having Jurisdiction (AHJ).

This NOA shall not be valid after the expiration date stated below. The Miami-Dade County Product Control Section (In Miami Dade County) and/or the AHJ (in areas other than Miami Dade County) reserve the right to have this product or material tested for quality assurance purposes. If this product or material fails to perform in the accepted manner, the manufacturer will incur the expense of such testing and the AHJ may immediately revoke, modify, or suspend the use of such product or material within their jurisdiction. RER reserves the right to revoke this acceptance, if it is determined by Miami-Dade County Product Control Section that this product or material fails to meet the requirements of the applicable building code.

This product is approved as described herein and has been designed to comply with the Florida Building Code, including the High Velocity Hurricane Zone.

**DESCRIPTION: Series “CWS-380” Aluminum Sliding Glass Door (Dry glazed) w/ Steel Reinforcement - N.I.**

**APPROVAL DOCUMENT:** Drawing No. CWS-1214, titled ““CWS-380” Non-Impact Aluminum Sliding Door w/Standard Steel Reinforcement”, sheets 1 through 8 of 8, dated DEC 18, 2023, prepared by manufacturer, signed and sealed by Thomas J. Sotos, P.E., bearing the Miami-Dade County Product Control Revision stamp with the Notice of Acceptance number and expiration date by the Miami-Dade County Product Control Section.

**MISSILE IMPACT RATING: Non-Impact. HVHZ Hurricane Protection Devices required.**

**Limitations:**

1. See design pressure chart VS door sizes, glass types and sill height, in sheets **2**.
2. The alternate frame area must not exceed the tested SGD panel and over all frame area.
3. Applicable door egress requirement to be reviewed by Building Official.
4. See pocket installation in sheet **5**. Pocket wall is not part of this approval and to be reviewed by AHJ.

**LABELING:** Each unit shall bear a permanent label with the manufacturer's name or logo, city, state and series and following statement: "Miami-Dade County Product Control Approved", unless otherwise noted herein.

**RENEWAL** of this NOA shall be considered after a renewal application has been filed and there has been no change in the applicable building code negatively affecting the performance of this product.

**TERMINATION** of this NOA will occur after the expiration date or if there has been a revision or change in the materials, use, and/or manufacture of the product or process. Misuse of this NOA as an endorsement of any product, for sales, advertising or any other purposes shall automatically terminate this NOA. Failure to comply with any section of this NOA shall be cause for termination and removal of NOA.

**ADVERTISEMENT:** The NOA number preceded by the words Miami-Dade County, Florida, and followed by the expiration date may be displayed in advertising literature. If any portion of the NOA is displayed, then it shall be done in its entirety.

**INSPECTION:** A copy of this entire NOA shall be provided to the user by the manufacturer or its distributors and shall be available for inspection at the job site at the request of the Building Official.

This NOA **revises** NOA # **23-0926.06** (PVT Lawson Industries, Inc.), consists of this page 1 and evidence pages E-1, E-2, E-3, E-4 & E-5, as well as approval document mentioned above.

The submitted documentation was reviewed by **Ishaq I. Chanda, P.E.** 



**NOTICE OF ACCEPTANCE: EVIDENCE SUBMITTED**

**1. EVIDENCE SUBMITTED UNDER PREVIOUS NOA's**

**A. DRAWINGS**

1. Manufacturer's die drawings and sections.  
*(Submitted under NOA's No. 's 99-0517.04 and 09-0706.06)*
2. Drawing No. **L9000-0902**, titled "Series SGD-9000 Aluminum Sliding Glass Door (N.I.) Standard Steel Reinforcement", sheets 1 through 8 of 8, with revision **D** dated 08/17/20, prepared by manufacturer, signed and sealed by Thomas J. Sotos, P.E.  
*(Submitted under NOA No. 22-0613.04)*

**B. TESTS**

1. Test reports on: 1) Uniform Static Air Pressure Test, Loading per FBC TAS 202-94 along with marked-up drawings and installation diagram of an aluminum sliding glass door, prepared by Hurricane Engineering & Testing, Inc., Test Reports No. **HETI-09-2534**, dated 05/05/09 and **HETI-09-2511**, dated 05/21/09, both signed and sealed by Candido F. Font, P.E.  
*(Submitted under NOA No. 09-0706.07)*
2. Test reports on: 1) Uniform Static Air Pressure Test, Loading per FBC TAS 202-94  
2) Large Missile Impact Test per FBC, TAS 201-94  
3) Cyclic Wind Pressure Loading per FBC, TAS 203-94  
4) Forced Entry Test, Type "C" sliding door, Grade 10, per FBC 2411.3.2.1, TAS 202-94 and per ASTM F 842-04  
along with marked-up drawings and installation diagram of an aluminum sliding glass door, prepared by Fenestration Testing Laboratory, Inc., Test Reports No. **FTL-2019, FTL-2021, FTL-2023, FTL-2024, FTL-2025, FTL-2026, FTL-2028, FTL-2029** and **FTL-2030**, dated 01/04/99, all signed and sealed by Gilbert Diamond, P.E.  
*(Submitted under NOA No. 99-0517.04)*

**C. CALCULATIONS**

1. Anchor verification calculations and structural analysis, complying with **FBC**, dated 04/28/15, prepared by manufacturer, signed and sealed by Thomas J. Sotos, P.E.  
*(Submitted under NOA No. 14-0908.04)*
2. Glazing complies with **ASTM E 1300-04/09**.

**D. QUALITY ASSURANCE**

1. Miami-Dade Department of Regulatory and Economic Resources (RER).



---

**Ishaq I. Chanda, P.E.**  
**Product Control Unit Supervisor**  
**NOA No. 23-0116.19**  
**Expiration Date: August 26, 2028**  
**Approval Date: February 01, 2024**

**NOTICE OF ACCEPTANCE: EVIDENCE SUBMITTED**

**1. EVIDENCE SUBMITTED UNDER PREVIOUS NOA's (CONTINUED)**

**E. MATERIAL CERTIFICATIONS**

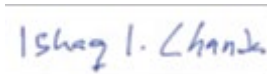
1. Technical data sheet of flexible vinyl compound FPVC 7267-75 (White) & FPVC 7200-75 (Black), published by Team Plastics. Inc./ Bayshore Vinyl Compounds, Inc. a division of Mexichem SAB de CV, LLC, expiring on 07/08/24.

**F. STATEMENTS**

1. Statement letter of conformance to and complying with **FBC 7<sup>th</sup> Edition (2020)** and of no financial interest, dated 06/08/22, issued by manufacturer, signed and sealed by Thomas J. Sotos, P.E.  
*(Submitted under NOA No. 22-0613.04)*
2. Statement letter from QAI testing lab for upcoming scheduled test for Lawson Industries, Inc., dated 07/01/22, signed by Ms. Lusinda Delgado.  
*(Submitted under NOA No. 22-0613.04)*
3. RER email test proposal dated 06/28/22.  
*(Submitted under NOA No. 22-0613.04)*
4. Laboratory compliance letter for Test Reports No. **HETI-09-2534** and **HETI-08-2176**, dated 05/05/09, issued by Hurricane Engineering & Testing, Inc., signed and sealed by Candido F. Font, P.E.  
*(Submitted under NOA No. 09-0706.06)*
5. Proposal No. **08-0591**, issued by Product Control, dated 07/15/08, signed by Renzo Narciso.  
*(Submitted under NOA No. 09-0706.06)*
6. Laboratory compliance letter for Test Reports No. **FTL-2019, FTL-2021, FTL-2023, FTL-2024, FTL-2025, FTL-2028, FTL-2029** and **FTL-2030**, dated 01/04/99, issued by Fenestration Testing Laboratory, Inc., all signed and sealed by Gilbert Diamond, P.E.  
*(Submitted under NOA No. 99-0517.04)*
7. Proposal issued by Product Control, dated 04/14/98, signed by Jaime D. Gascon, P.E.  
*(Submitted under NOA No. 99-0517.04)*

**G. OTHERS**

1. Notice of Acceptance No. **20-0901.08**, issued to Lawson Industries, Inc., for their Series "SGD-9000 Dry Glazed" 8'0" Aluminum Sliding Glass Door w/Reinforcement – N.I., approved on 12/17/20 and expiring on 08/26/22.



---

Ishaq I. Chanda, P.E.  
Product Control Unit Supervisor  
NOA No. 24-0116.19  
Expiration Date: August 26, 2028  
Approval Date: February 01, 2024

**NOTICE OF ACCEPTANCE: EVIDENCE SUBMITTED**

**2. EVIDENCE SUBMITTED**

**A. DRAWINGS**

1. Drawing No. **L9000-0902**, titled “Series SGD-9000 Aluminum Sliding Glass Door (N.I.) Standard Steel Reinforcement”, sheets 1 through 8 of 8, with revision **E** dated 09/07/23, prepared by manufacturer, signed and sealed by Thomas J. Sotos, P.E.

**B. TESTS**

1. Test reports on: 1) Uniform Static Air Pressure Test, Loading per FBC TAS 202-94 along with marked-up drawings and installation diagram of a series 9000 aluminum sliding glass door, prepared by QAI Laboratories, Test Reports No. **QAI-13822**, dated 09/12/23 and **QAI-13850**, dated 08/07/23, signed and sealed by Idalmis Ortega, P.E.

**C. CALCULATIONS**

1. None

**D. QUALITY ASSURANCE**

1. Miami-Dade Department of Regulatory and Economic Resources (RER)

**E. MATERIAL CERTIFICATIONS**

1. None.

**F. STATEMENTS**

1. Statement letter of conformance, complying with **FBC 8<sup>th</sup> Edition (2023)** dated September 18, 2023, issued by manufacturer, signed and sealed by Thomas J. Sotos P.E.
2. Statement letter of no financial interest dated September 18, 2023, issued by manufacturer, signed and sealed by Thomas J. Sotos, P.E.

**G. OTHERS**

1. Notice of Acceptance No. **22-0613.04**, issued to Lawson Industries, Inc., for their Series “SGD-9000 Dry Glazed” 8’0” Aluminum Sliding Glass Door w/Reinforcement – N.I., approved on 07/14/22 and expiring on 08/26/23, **HETI-11-3329** dated 01/16/12, **HETI-11-3330** dated 01/16/12, **HETI-12-4040** dated 10/12/12, **HETI-12-4041** dated 10/12/12, **HETI-12-4051** dated 06/13/12, **HETI-12-4052** dated 07/10/12, **HETI-12-4053** dated 09/24/12, **HETI-12-4054** dated 09/24/12, **HETI-12-4064** dated 09/24/12, and **HETI-12-4065** dated 09/24/12, issued by Hurricane Engineering & Testing, Inc., all signed and sealed by Rafael E. Droz-Seda, P.E. *(Submitted under NOA No. 14-0908.02)*

Ishaq I. Chanda

---

Ishaq I. Chanda, P.E.  
Product Control Unit Supervisor  
NOA No. 24-0116.19  
Expiration Date: August 26, 2028  
Approval Date: February 01, 2024

NOTICE OF ACCEPTANCE: EVIDENCE SUBMITTED

**1. EVIDENCE SUBMITTED UNDER PREVIOUS NOA's (CONTINUED)**  
**F. STATEMENTS (CONTINUED)**

4. Laboratory addendum letter for Test Reports No. **HETI-11-3269, HETI-11-3270, HETI-11-3271, HETI-11-3272, HETI-11-3274, HETI-11-3275, HETI-11-3291, HETI-11-3292, HETI-11-3307, HETI-11-3313, HETI-11-3314, HETI-11-3329, HETI-11-3330, HETI-12-4040, HETI-12-4041, HETI-12-4051, HETI-12-4052, HETI-12-4053, HETI-12-4054, HETI-12-4064 and HETI-12-4065**, dated 01/15/13, issued by Hurricane Engineering & Testing, Inc., signed and sealed by Rafael E. Droz-Seda, P.E.  
*(Submitted under NOA No. 12-1204.12)*
5. Proposal issued by Product Control, dated 03/30/12, signed by Jaime D. Gascon, P.E.  
*(Submitted under NOA No. 12-1204.12)*
6. Proposal issued by Product Control, dated 03/13/08, signed by Ishaq Chanda, P.E.  
*(Submitted under NOA No. 11-0518.03)*
7. Laboratory compliance letters issued by Fenestration Testing Laboratory, Inc., for Test Report No. **FTL-3078** dated 01/10/02, signed and sealed by Luis Figueredo, P.E.  
*(Submitted under NOA No. 02-1126.04)*
8. Laboratory compliance letters issued by Fenestration Testing Laboratory, Inc., for Test Reports No. **FTL-3525** and **FTL-3572** dated 09/09/02, both signed and sealed by Joseph C. Chan, P.E.  
*(Submitted under NOA No. 02-1126.04)*
9. Laboratory compliance letters issued by Fenestration Testing Laboratory, Inc., for Test Reports No. **FTL-3424** dated 04/18/02, **FTL-3425** dated 04/29/02, **FTL-3426** dated 04/26/02, **FTL-3492** dated 06/20/02, **FTL-3493** dated 06/24/02 and **FTL-3516** dated 07/12/02, all signed and sealed by James G. Worth, P.E.  
*(Submitted under NOA No. 02-1126.04)*

**G. OTHERS**

1. Notice of Acceptance No. **20-0901.06**, issued to Lawson Industries, Inc. for their Series **"SGD-9200 Aluminum Sliding Glass Door (Steel reinforced) – L.M.I."**, approved on 12/03/20 and expiring on 02/13/18.

Ishaq I. Chanda

---

**Ishaq I. Chanda, P.E.**  
**Product Control Unit Supervisor**  
**NOA No. 24-0116.13**  
**Expiration Date: August 26, 2028**  
**Approval Date: February 01, 2024**

**NOTICE OF ACCEPTANCE: EVIDENCE SUBMITTED**

**3. New Evidence submitted.**

**A. DRAWINGS**

1. Drawing No. **CWS-1214**, titled “CWS-380” Non-Impact Aluminum Sliding Door w/Standard Steel Reinforcement”, sheets 1 through 8 of 8, dated DEC 18, 2023, prepared by manufacturer, signed and sealed by Thomas J. Sotos, P.E.

**B. TESTS** (submitted under NOA# 23-0926.06)

1. None.

**C. CALCULATIONS** (submitted under NOA# 23-0926.06)

1. None.

**D. QUALITY ASSURANCE**

1. Miami Dade Department of Regulatory and Economic Resources (RER).

**E. MATERIAL CERTIFICATIONS**

1. Technical data sheet of flexible vinyl compound FPVC 7267-75 (White) & FPVC 7200-75 (Black), published by Team Plastics. Inc./ Bayshore Vinyl Compounds, Inc. a division of Mexichem SAB de CV, LLC, expiring on 07/08/24.

**F. STATEMENTS**

1. Statement letter of conformance, complying with **FBC 8<sup>th</sup> Edition (2023)** dated December 18, 2023, issued by manufacturer, signed and sealed by Thomas J. Sotos P.E.

**G. OTHER**

1. This NOA **revises** NOA # **23-0926.06** (PVT Lawson Industries, Inc.), expiring 08/26/28.
2. Private Label agreement dated January 11, 2024 between Lawson Industries Inc. and Custom Window System Inc., signed respectively by Kevin E. Pine, VP Lawson Industries, Inc. and Kevin E. Pine, VP Custom Window System, Inc.

Ishaq I. Chanda

---

**Ishaq I. Chanda, P.E.**  
**Product Control Unit Supervisor**  
**NOA No. 24-0116.13**  
**Expiration Date: August 26, 2028**  
**Approval Date: February 01, 2024**



1900 SW 44TH AVE.  
OCALA, FLORIDA 34474  
WWW.CWS.CC

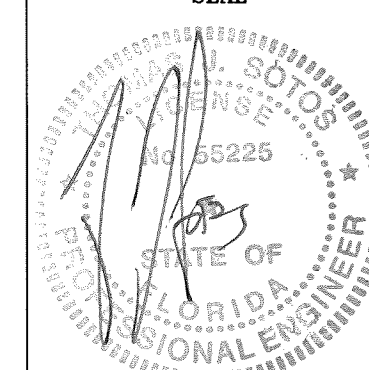
**CWS 380 NON-IMPACT ALUMINUM  
SLIDING GLASS DOOR  
STANDARD STEEL  
REINFORCEMENT**

NO.:	DESCRIPTION:	BY:	DATE:
A			

REVISIONS

**THOMAS J. SOTOS  
PROFESSIONAL ENGINEER  
FL LIC. # 55225**

SEAL



DATE: **DEC. 18 2023**

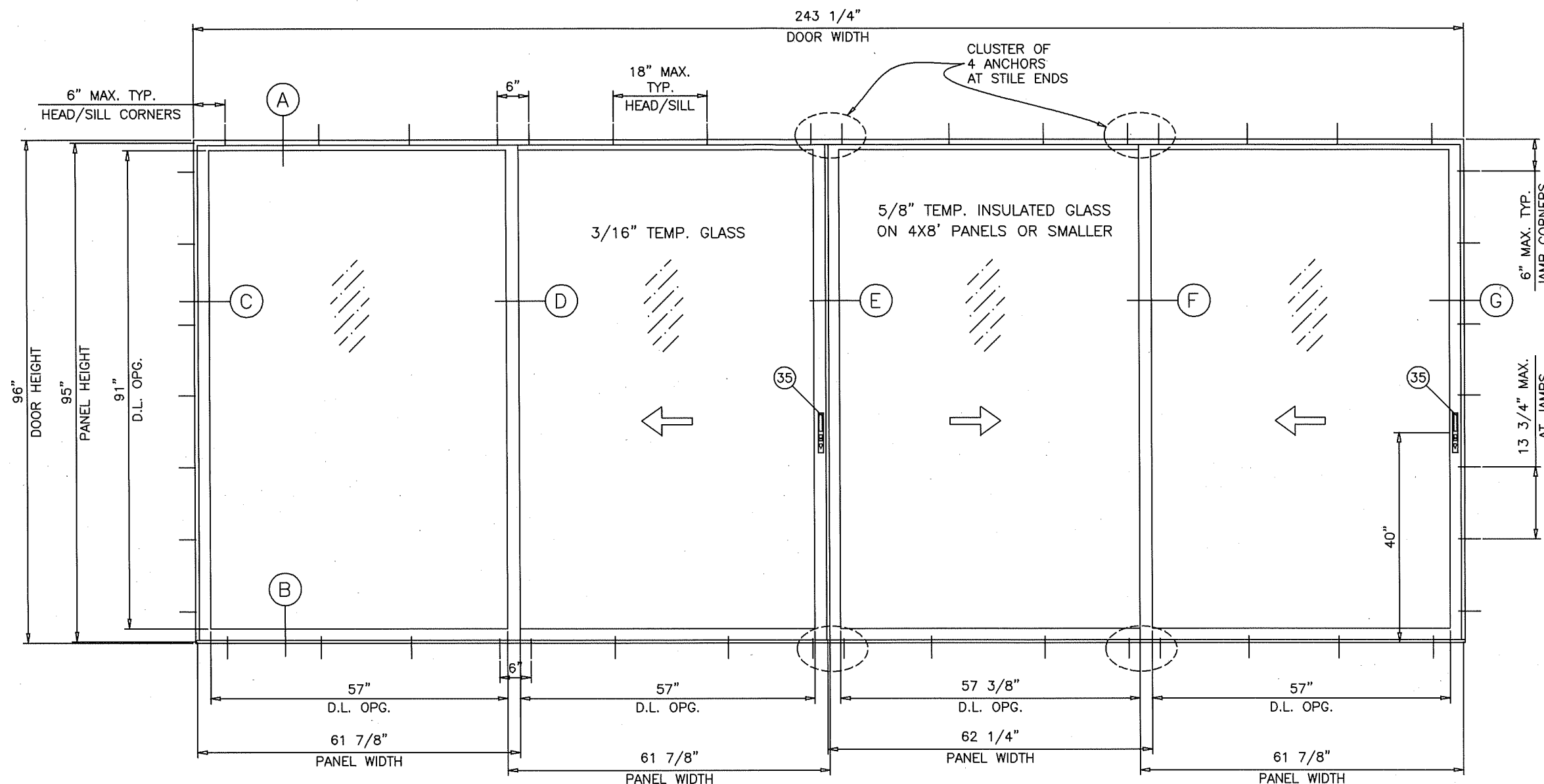
SHEET DESCRIPTION:  
GENERAL NOTES AND TEST  
DOOR CONFIGURATION

DRAWN BY: NELSON ERAZO DATE: 11/17/2023

REV. BY: DATE:

DWG #: CWS-1214 REV #:

SCALE: AS NOTED SHEET 1 OF 8



TYPICAL ELEVATION  
TESTED UNIT (OXXX)

**CWS 380 NON-IMPACT ALUMINUM SLIDING GLASS DOOR**

**NOTES:**

SEE SHEET 2 FOR DESIGN LOAD CAPACITY OF DESIRED PANEL SIZE.

THIS PRODUCT HAS BEEN DESIGNED AND TESTED TO COMPLY WITH THE REQUIREMENTS OF THE FLORIDA BUILDING CODE (2020-7th EDITION & 2023-8th Edition).

WOOD BUCKS BY OTHERS, MUST BE ANCHORED PROPERLY TO TRANSFER LOADS TO THE STRUCTURE.

ANCHORS SHALL BE AS LISTED, SPACED AS SHOWN ON DETAILS, ANCHORS EMBEDMENT TO BASE MATERIAL SHALL BE BEYOND WALL DRESSING OR STUCCO.

ANCHORING OR LOADING CONDITIONS NOT SHOWN IN THESE DETAILS ARE NOT PART OF THIS APPROVAL.

**NON-IMPACT  
STANDARD REINFORCING**

DOORS NOT RATED FOR IMPACT.  
INSTALLATION OF THIS PRODUCT REQUIRES THE USE OF APPROVED SHUTTERS OR EXTERNAL PROTECTION DEVICES COMPLYING WITH HVHZ REQUIREMENTS.

**PRODUCT REVISED**  
as complying with the Florida Building Code

NOA-No. 24-0116.19

Expiration Date 08/26/2028

By *Ishag I. Zhand*  
Miami-Dade Product Control

ITEM #	PART #	QUANTITY	DESCRIPTION	MATERIAL	MANUF./SUPPLIER/REMARKS
1	L-9001	1	FRAME HEAD (2 TRACK)	6063-T6 ALUM.	PROFILE
2	L-9002	1	FRAME SILL (2 TRACK)	6063-T6 ALUM.	PROFILE
3	L-9003	2	FRAME JAMB (2 TRACK)	6063-T5 ALUM.	PROFILE
4	L-9004	1/ PANEL	PANEL TOP RAIL	6063-T5 ALUM.	PROFILE
5	L-9005	1/ PANEL	PANEL BOTTOM RAIL	6063-T5 ALUM.	PROFILE
6	L-9006	AS REQD.	LOCK STILE / FIXED STILE	6063-T5 ALUM.	PROFILE
7	L-9007	AS REQD.	SINGLE INTERLOCK STILE	6063-T5 ALUM.	PROFILE
8	L-9008	AS REQD.	ASTRAGAL STILE	6063-T6 ALUM.	PROFILE
9	L-9043	AS REQD.	3/16" GLAZING CHANNEL	TEAM PLASTICS Inc.	See Material Composition @ Sheet 8
10	FS-011	4/ PANEL	PANEL ASS'Y SCREW @ TOP RAIL	-	#10 x 5/8" P.H. - PHILLIPS
11	FS-034	2/ PANEL	PANEL ASS'Y SCREW @ BOTTOM RAIL	-	#10-24 X 1" P.H.-PHIL./ "T"
12	FS-028	8	FRAME ASSEMBLY SCREW	-	#8 X 7/16" P.H.-PHIL. / SMS
13	7519-6001-7	AS REQD.	PILE WTS'P. @ JAMB/ASTRAGAL	-	(0.187"w. x 0.200"h.)-Schlegel
14	7524-6001-6	AS REQD.	PILE WTS'P. @ TOP RAILS	-	(0.187"w. x 0.250"h.)-Schlegel
15	7529-6001-7	AS REQD.	PILE WTS'P. @ BOTTOM RAILS	-	(0.187"w. x 0.300"h.)-Schlegel
16	7520-5001-7	AS REQD.	PILE WTS'P. @ INTERLOCKS	-	(0.187"w. x 0.210"h.)-Schlegel
17		AS REQD.	SILL RISER	6063-T5 ALUM.	SILICONED IN PLACE
18	L-9018	3 OR 4 *	FIXED PANEL JAMB CLIP	6063-T5 ALUM.	GW-27153
19	FS-029	1/ CLIP	FIXED PANEL CLIP SCREW	-	#8 X 5/8" PH.-PHI / SDS
20	AR-001	1	FIXED INTERLOCK ANGLE	6063-T5 ALUM.	3"x 1 1/2"x 1 9/16"x 1/8"
21	AR-002	1	MOVING INTERLOCK ANGLE/CLIP	6063-T5 ALUM.	1 1/2" X 3/4" X 2" X 1/8"
22	L-9022	1	ASTRAGAL RETAINER CLIP	6063-T6 ALUM.	AF-10798
23	AR-020	AS REQD.	REINF. @ SINGLE INTERLOCK	A36 C.R. STEEL	1/2" X 1 1/4" BAR (36 KSI)
24	AR-021	AS REQD.	REINF. @ DOUBLE INTERLOCK\ASTRAGAL	A36 C.R. STEEL	1/2" X 1 1/2" BAR (36 KSI)
27	*	OPTIONAL	SCREEN JAMB ADAPTER	6063-T6 ALUM.	-
28	L-9028	1	FRAME HEAD (3 TRACK)	6063-T6 ALUM.	-
29	L-9029	1	FRAME SILL (3 TRACK)	6063-T6 ALUM.	-
30	L-9030	2	FRAME JAMB (3 TRACK)	6063-T5 ALUM.	-
31	L-9031	AS REQD.	DOUBLE INTERLOCK STILE	6063-T6 ALUM.	OPTIONAL
32	1071a	2/ PANEL	PANEL TOP GUIDE	ST801 Nylon 6-6	Molded Nylon- Rockwell M scale: 79
33	1072a	2/ PANEL	PANEL BOTTOM GUIDE	ST801 Nylon 6-6	Molded Nylon- Rockwell M scale: 79
34	HW4-WHL	2/ PANEL	PANEL SINGLE ROLLER		6 COMPONENT - ASS'Y 150
35	HC-038	AS REQ'D.	DOOR LOCK ASSEMBLY	-	INT. & EXT. PULLS, CAM, KEEPER
36	LII-109A	1/ PANEL	5/8" INSULATED PANEL TOP RAIL	6063-T6 ALUM.	PROFILE
37	LII-110A	1/ PANEL	5/8" INSULATED PANEL BOTTOM RAIL	6063-T5 ALUM.	PROFILE
38	LII-108	1/ PANEL	5/8" INSULATED PANEL LOCK STILE	6063-T6 ALUM.	PROFILE
39	LII-082	1/ PANEL	5/8" INSULATED PANEL INTERLOCK	6063-T6 ALUM.	PROFILE
40	LII-163	1/ PANEL	5/8' INSULATED PANEL ASTRAGAL	6063-T6 ALUM.	PROFILE
41	AF-10403	AS REQ'D.	POCKET DOOR JAMB HOOK	6063-T6 ALUM.	PROFILE
42	L-9045	AS REQ'D.	5/8 INSULATED GLAZING CHANNEL	TEAM PLASTICS Inc.	See Material Composition @ Sheet 8
43 a	812-25H-357	AS REQ'D.	"TruSeal" Dura Seal Swiggle Spacer	*	Black - 1/4" Air Space
43 b	Quanex	AS REQ'D.	"Quanex" Super Spacer w/ Isomelt M	*	Black - 1/4" Air Space

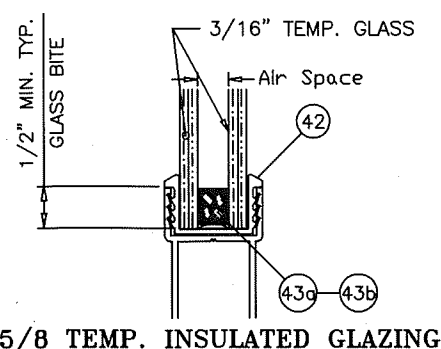
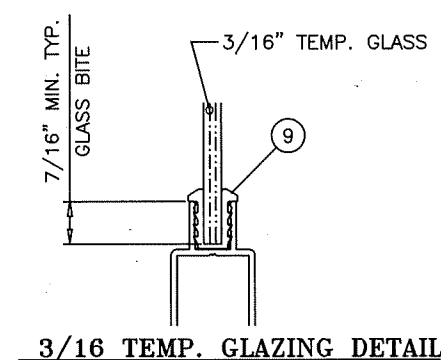
\* 4 ON 9/0 HIGH DOORS ONLY

DESIGN LOAD CAPACITY - PSF									
PANEL WIDTH NOMINAL FT./IN.	DOOR HEIGHT FT./IN.	3/16" TEMP. GLASS							
		1-3/4" SILL		2-1/4" SILL		2-1/2" SILL		3" SILL	
		EXT. (+)	INT. (-)	EXT. (+)	INT. (-)	EXT. (+)	INT. (-)	EXT. (+)	INT. (-)
2/6	6/8	40.7	99.0	56.7	99.0	63.3	99.0	77.8	99.0
3/0		40.7	87.2	56.7	87.2	63.3	87.2	77.8	87.2
4/0		40.7	73.1	56.7	73.1	63.3	73.1	73.1	73.1
5/0		40.7	65.9	56.7	65.9	63.3	65.9	65.9	65.9
2/6	8/0	40.7	79.3	56.7	79.3	63.3	79.3	77.8	79.3
3/0		40.7	69.1	56.7	69.1	63.3	69.1	69.1	69.1
4/0		40.7	56.7	56.7	56.7	56.7	56.7	56.7	56.7
5/0		40.7	49.7	49.7	49.7	49.7	49.7	49.7	49.7
2/6	9/0	40.7	59.6	56.7	59.6	59.6	59.6	59.6	59.6
3/0		40.7	50.7	50.7	50.7	50.7	50.7	50.7	50.7
4/0		39.8	39.8	39.8	39.8	39.8	39.8	39.8	39.8

5/8" TEMP. INSULATED GLASS MAY BE USED IN 4X8' PANELS OR SMALLER.

GLASS CAPACITIES ON THIS CHART ARE BASED ON ASTM E1300-98 (60 SEC. WIND)

THIS APPROVES DOORS USING TWO (2) OR THREE (3) TRACK FRAMES WITH ANY NUMBER OF PANELS THAT CONTAIN THE STILE CONFIGURATIONS SHOWN ON SHEETS 4 AND 6, I.E. XX, OX, XO, XXX, OXO, OXXO, AND THE FOLLOWING POCKET DOOR CONFIGURATIONS: XXp, pXX, XXXp, pXXX, XXXXp, pXXXX, pXXXXp, OXXXp, pXXXO



43 Insulated Spacer Types & Options  
 43 a) "TrueSeal" Swiggle Seal  
 43 b) "Quanex" SuperSpacer w/ Isomelt M

**PRODUCT REVISED**  
 as complying with the Florida Building Code  
 NOA-No. 24-0116.19  
 Expiration Date 08/26/2028  
 By *Ishag I. Chande*  
 Miami-Dade Product Control

1900 SW 44TH AVE.  
 OCALA, FLORIDA 34474  
 WWW.CWS.CC

**CWS 380 NON-IMPACT ALUMINUM SLIDING GLASS DOOR STANDARD STEEL REINFORCEMENT**

NO.	DESCRIPTION:	BY:	DATE:
A			

THOMAS J. SOTOS  
 PROFESSIONAL ENGINEER  
 FL LIC. # 55225

SEAL

DATE: \_\_\_\_\_  
 SHEET DESCRIPTION:  
 BILL OF MATERIALS,  
 GLAZING DETAILS & DP  
 LOAD CHARTS

DRAWN BY: NELSON ERAZO	DATE: 11/17/2023
REV. BY:	DATE:
DWG #: CWS-1214	REV #:
SCALE: AS NOTED	SHEET 2 OF 8





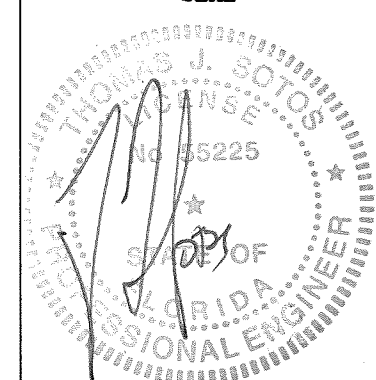
1900 SW 44TH AVE.  
OCALA, FLORIDA 34474  
WWW.CWS.CC

**CWS 380 NON-IMPACT ALUMINUM  
SLIDING GLASS DOOR  
STANDARD STEEL  
REINFORCEMENT**

NO.	DESCRIPTION	BY	DATE
A			

**THOMAS J. SOTOS**  
PROFESSIONAL ENGINEER  
FL LIC. # 55225

SEAL



DATE **DEC 18 2023**

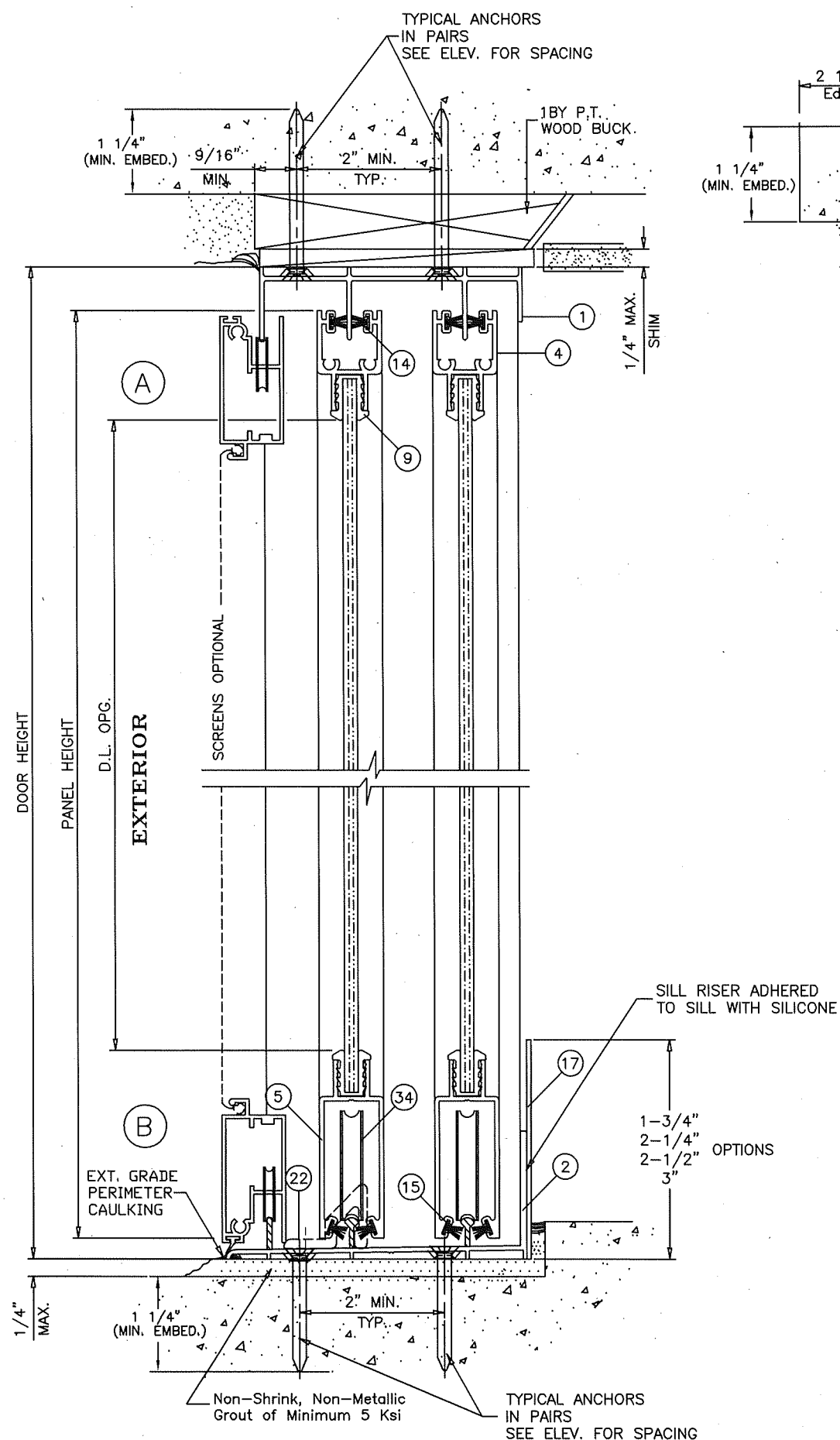
SHEET DESCRIPTION:  
2 TRACK VERTICAL  
SECTIONS, ANCHOR  
DETAILS & NOTES

DRAWN BY: NELSON ERAZO DATE: 11/17/2023

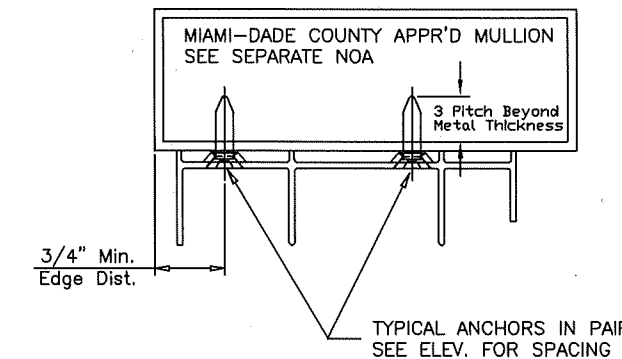
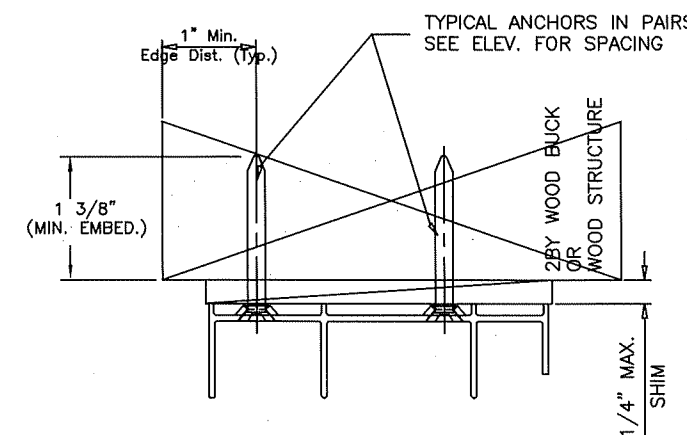
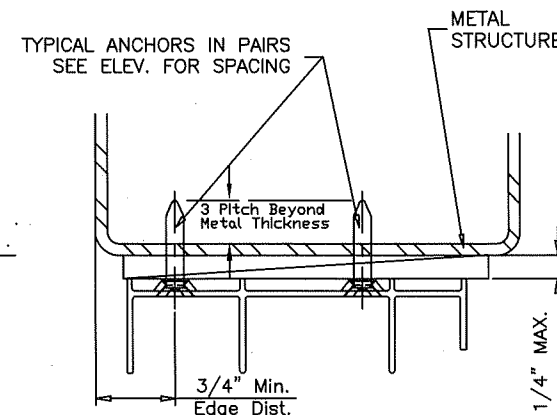
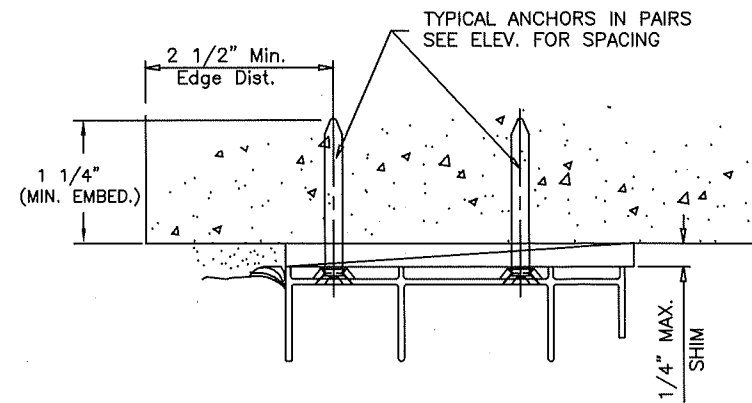
REV. BY: DATE:

DWG #: CWS-1214 REV #:

SCALE: AS NOTED SHEET 3 OF 8



**TWO (2) TRACK SECTION**



WOOD BUCKS AND METAL STRUCTURES NOT BY CWS MUST SUPPORT LOADS IMPOSED BY GLAZING SYSTEM AND TRANSFER THEM TO THE BUILDING STRUCTURE.

**TYPICAL ANCHORS:** ( SEE ELEV. FOR SPACING )  
1/4" DIA TAPCONS by ITW BUILDEX (Fy= 100 Ksi, Fu= 125Ksi)  
INTO 2BY WOOD BUCKS OR WOOD STRUCTURE  
1-3/8" MIN. PENETRATION INTO WOOD  
THRU 1BY WOOD BUCKS INTO MASONRY OR CONC.  
1-1/4" MIN. EMBED INTO MASONRY OR CONC.  
DIRECTLY INTO CONCRETE OR MASONRY  
1-1/4" MIN. EMBED INTO CONCRETE OR MASONRY

**#14 SMS OR SELF DRILLING SCREWS - GRADE 5**  
INTO METAL STRUCTURES  
STEEL : 12 GA. MIN. THICK - 0.105" (Fy = 36 KSI MIN.)  
ALUMINUM : 1/8" THK. MIN. (6063-T5 MIN.)

**#10 SMS - GRADE 2**  
INTO MIAMI-DADE COUNTY APPROVED MULLIONS (MIN. THK. = 1/8")  
(NO SHIM SPACE)

**TYPICAL EDGE DISTANCES**  
INTO CONCRETE AND MASONRY = 2-1/2" MIN.  
INTO WOOD STRUCTURE = 1" MIN. (OR AS SHOWN)  
INTO METAL STRUCTURE = 3/4" MIN.

**SUBSTRATES:**  
WOOD BUCK (P.T.) AT HEAD OR JAMBS SG = 0.55 MIN.  
CONCRETE AT HEAD, SILL OR JAMBS F'c = 3000 PSI MIN.  
C-90 GROUT / FILLED BLOCK AT JAMBS F'm = 2000 PSI MIN.

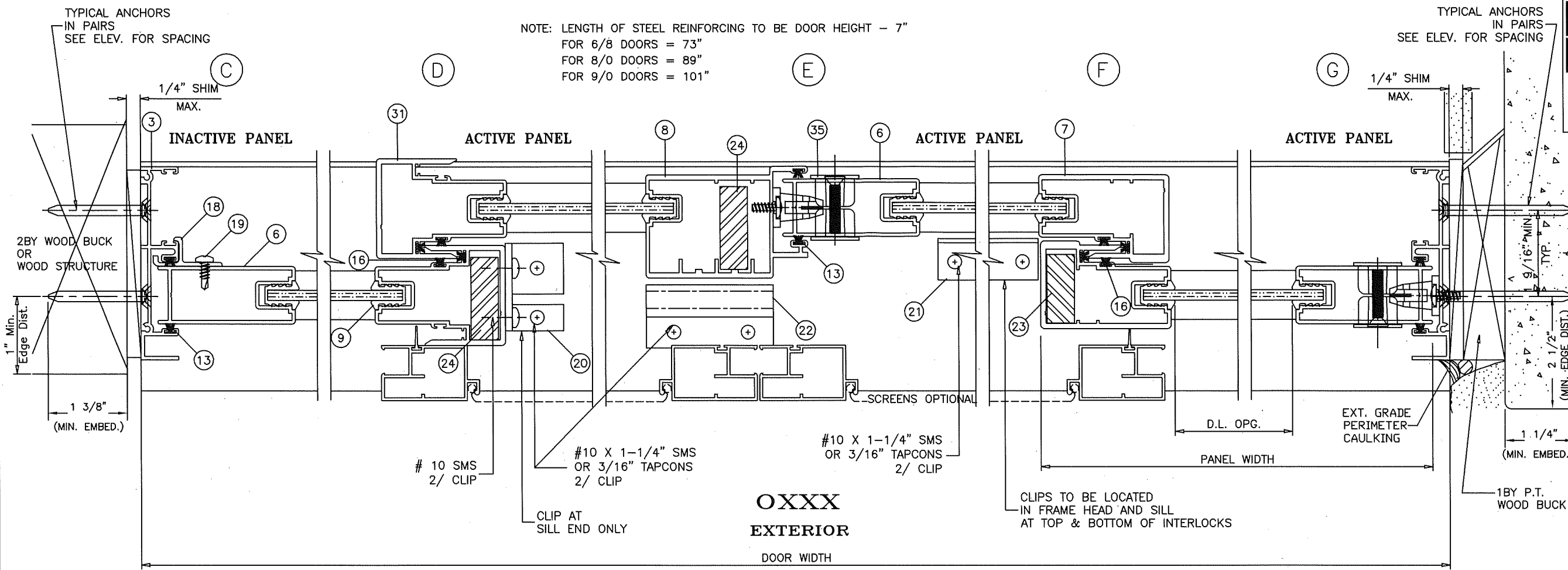
**SEALANTS:**  
ALL FRAME AND PANEL JOINT, INSTALLATION SCREWS AND HEADS OF ANCHOR SCREWS AT SILL TO BE SEALED WITH SEALANT.

**PRODUCT REVISED**  
as complying with the Florida Building Code  
NOA-No. 24-0116.19  
Expiration Date 08/26/2028  
By *Ishag I. Chande*  
Miami-Dade Product Control



1900 SW 44TH AVE.  
OCALA, FLORIDA 34474  
WWW.CWS.CC

NOTE: LENGTH OF STEEL REINFORCING TO BE DOOR HEIGHT - 7"  
FOR 6/8 DOORS = 73"  
FOR 8/0 DOORS = 89"  
FOR 9/0 DOORS = 101"

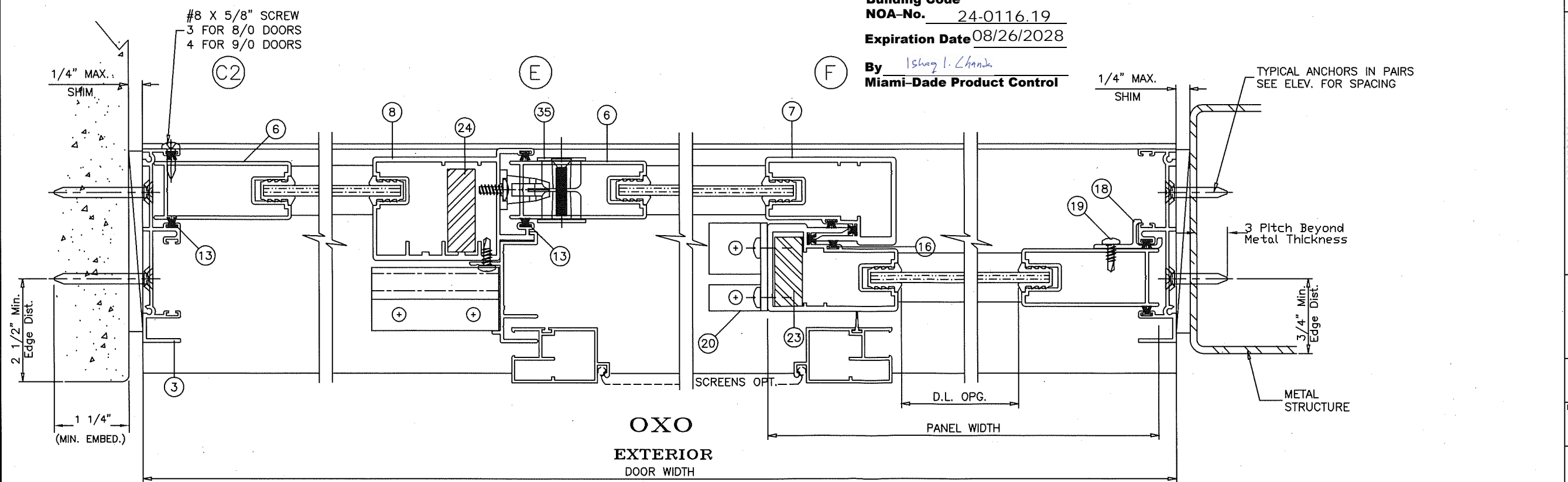


**CWS 380 NON-IMPACT ALUM  
SLIDING GLASS DOOR  
STANDARD STEEL  
REINFORCEMENT**

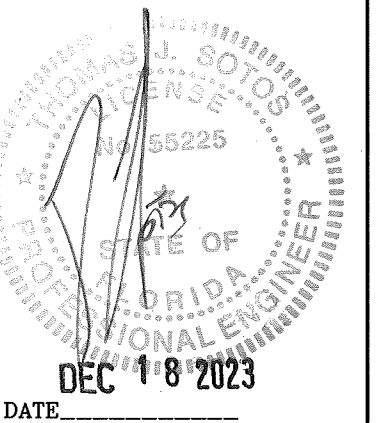
NO.	DESCRIPTION	BY	DATE
A			

**PRODUCT REVISED**  
as complying with the Florida  
Building Code  
NOA-No. 24-0116.19  
Expiration Date 08/26/2028

By Ishag I. Chank  
Miami-Dade Product Control



THOMAS J. SOTOS  
PROFESSIONAL ENGINEER  
FL LIC. # 55225



DATE: \_\_\_\_\_  
SHEET DESCRIPTION:  
2 TRACK HORIZONTAL  
CROSS SECTIONS

DRAWN BY: NELSON ERAZO DATE: 11/17/2023

REV. BY: \_\_\_\_\_ DATE: \_\_\_\_\_

DWG #: CWS-1214 REV #: \_\_\_\_\_

SCALE: AS NOTED SHEET 4 OF 8

**TWO (2) TRACK SECTION**

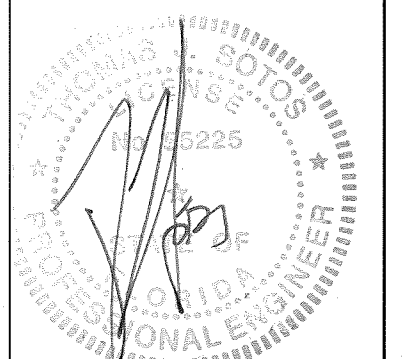


1900 SW 44TH AVE.  
OCALA, FLORIDA 34474  
WWW.CWS.CC

**CWS 380 NON-IMPACT ALUMINUM  
SLIDING GLASS DOOR  
STANDARD STEEL  
REINFORCEMENT**

NO.	DESCRIPTION	BY	DATE
A	REVISIONS		

**THOMAS J. SOTOS**  
PROFESSIONAL ENGINEER  
FL LIC. # 55225



DATE **DEC 18 2023**

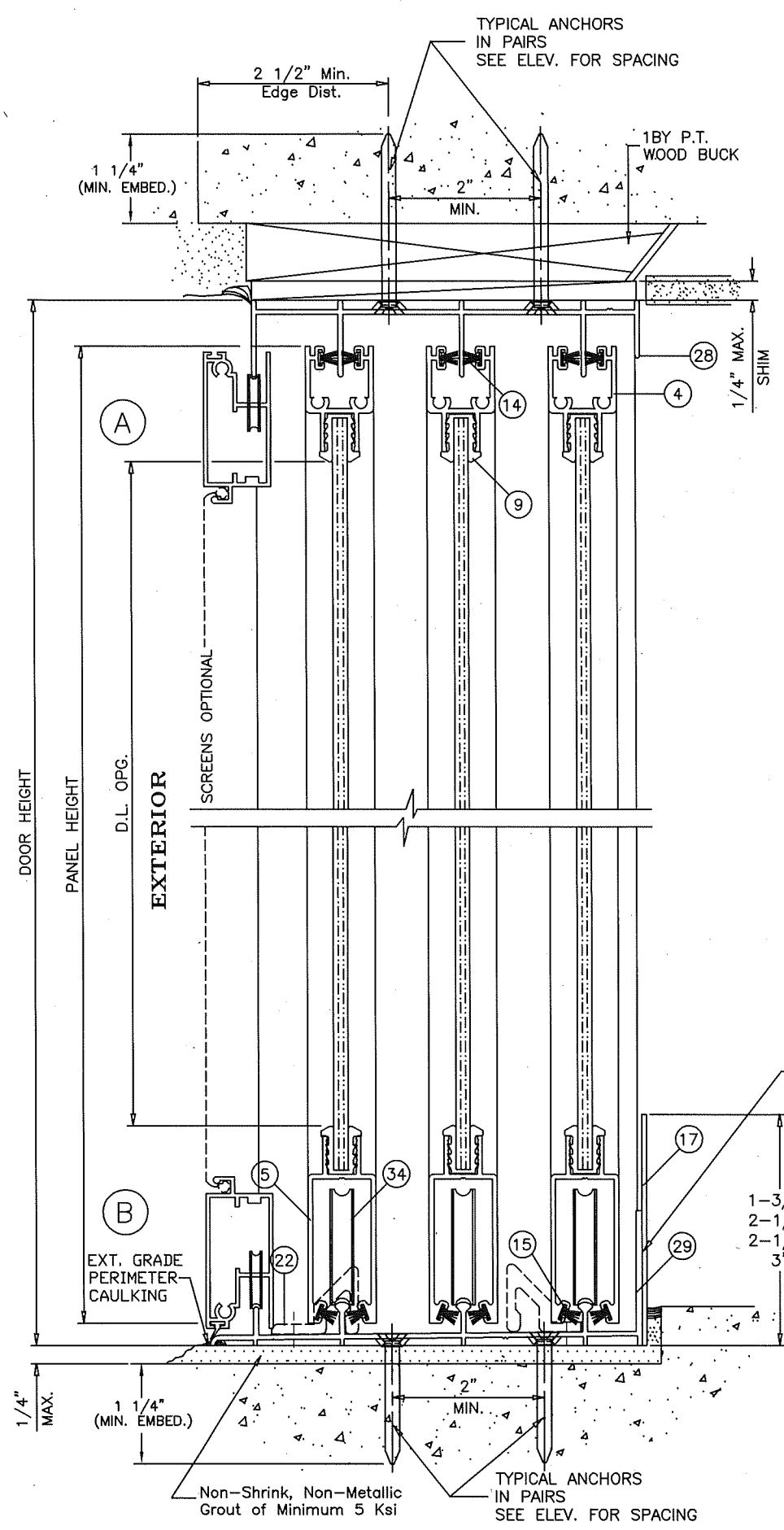
SHEET DESCRIPTION:  
**3 TRACK VERTICAL CROSS  
SECTIONS, ANCHOR  
DETAILS & NOTES**

DRAWN BY: NELSON ERAZO DATE: 11/17/2023

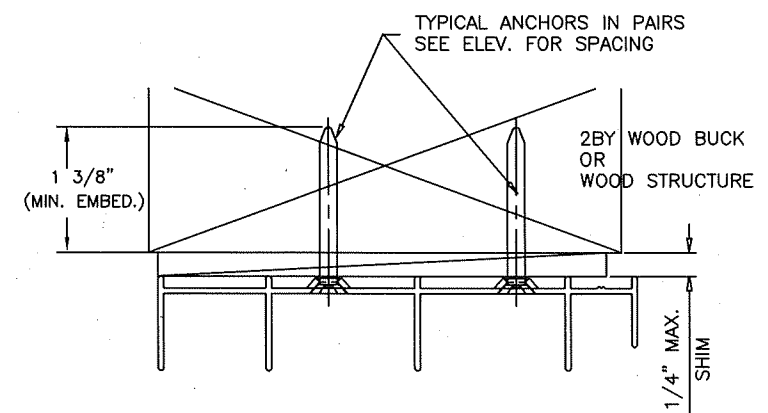
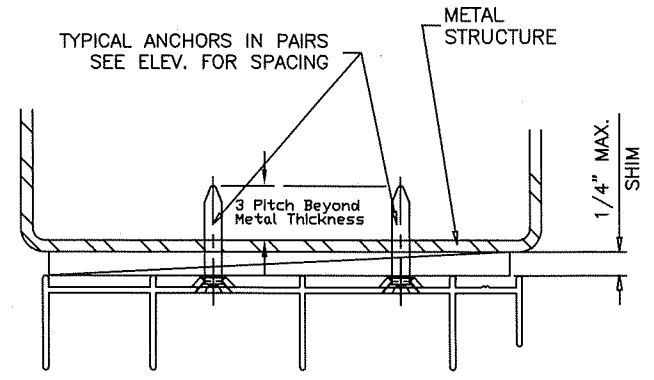
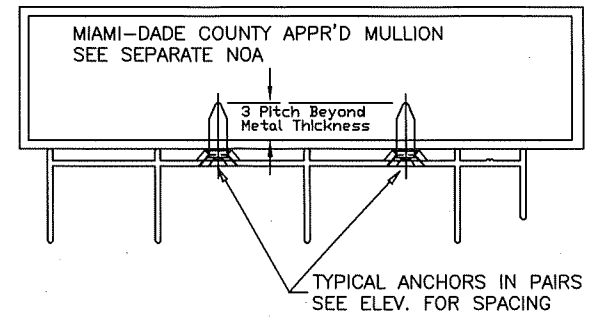
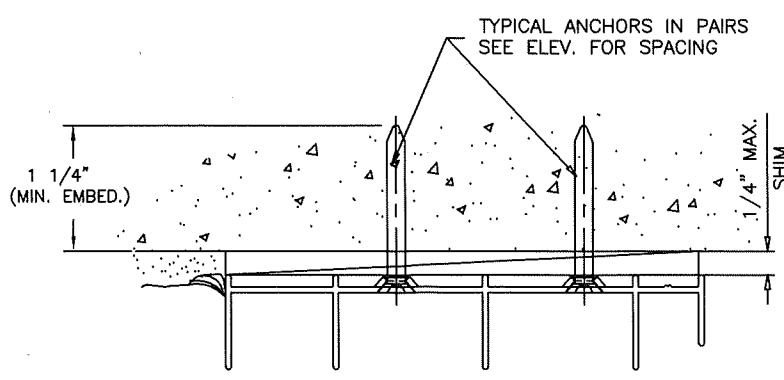
REV. BY: DATE:

DWG #: CWS-1214 REV #:

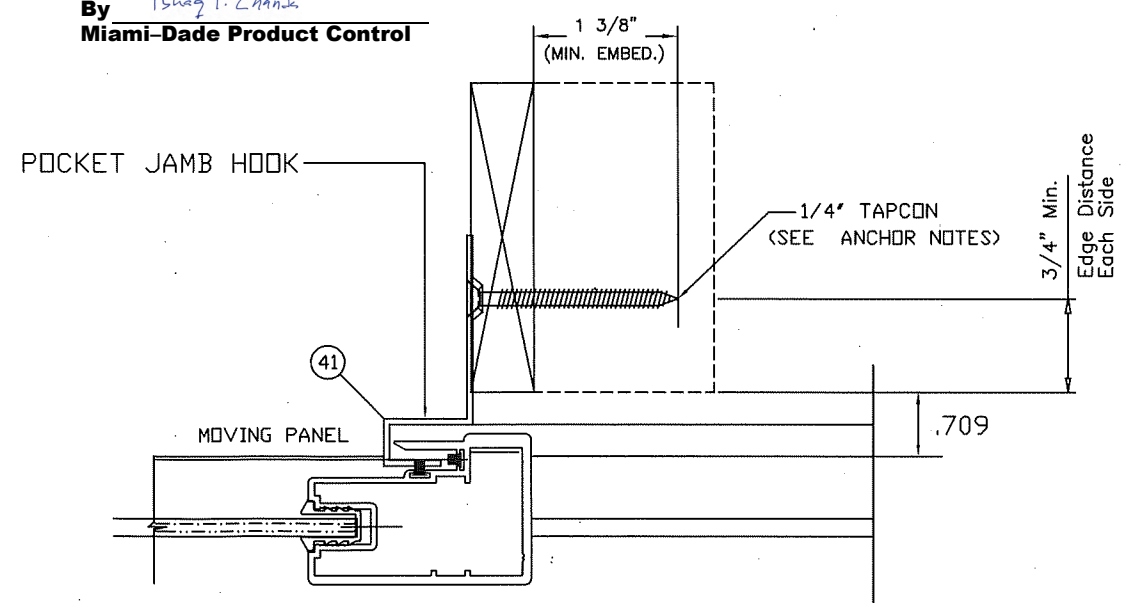
SCALE: AS NOTED SHEET 5 OF 8



**THREE (3) TRACK SECTION**



**PRODUCT REVISED**  
as complying with the Florida  
Building Code  
NOA-No. 24-0116.19  
Expiration Date 08/26/2028  
By *Ishag I. Chank*  
Miami-Dade Product Control



**POCKET DOOR JAMB ANCHOR DETAIL**

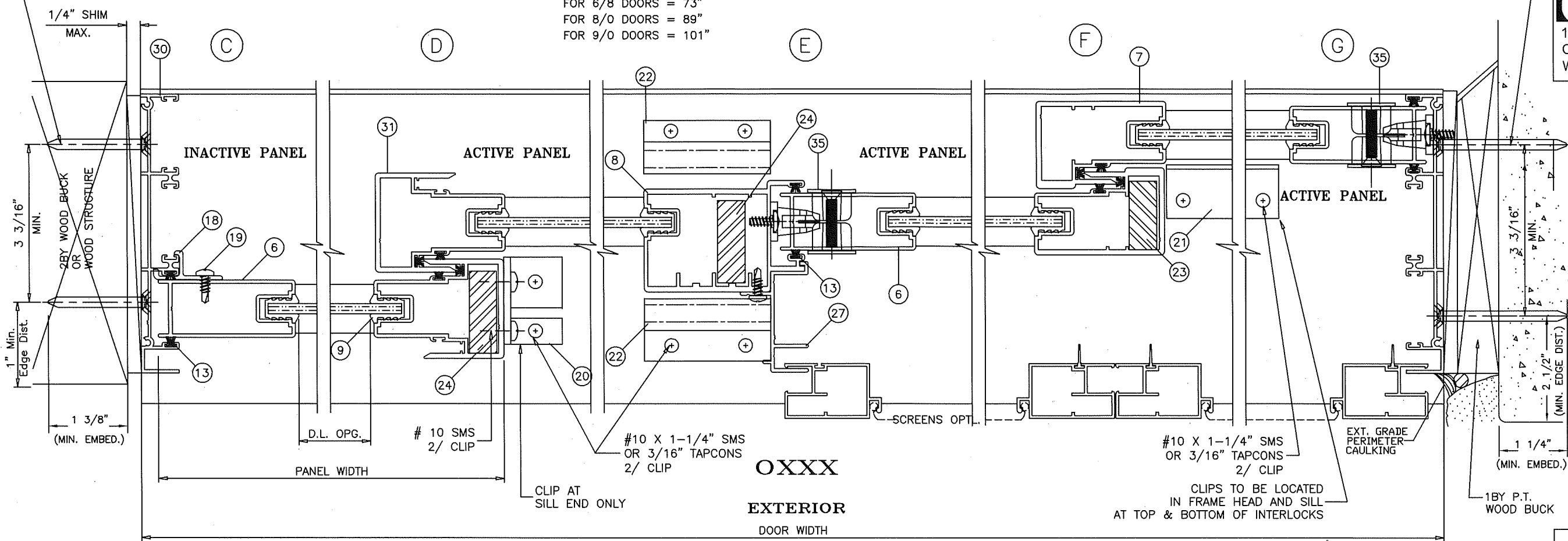
TYPICAL ANCHORS  
IN PAIRS  
SEE ELEV. FOR SPACING

NOTE: LENGTH OF STEEL REINFORCING TO BE DOOR HEIGHT - 7"  
FOR 6/8 DOORS = 73"  
FOR 8/0 DOORS = 89"  
FOR 9/0 DOORS = 101"

TYPICAL ANCHORS  
IN PAIRS  
SEE ELEV. FOR SPACING

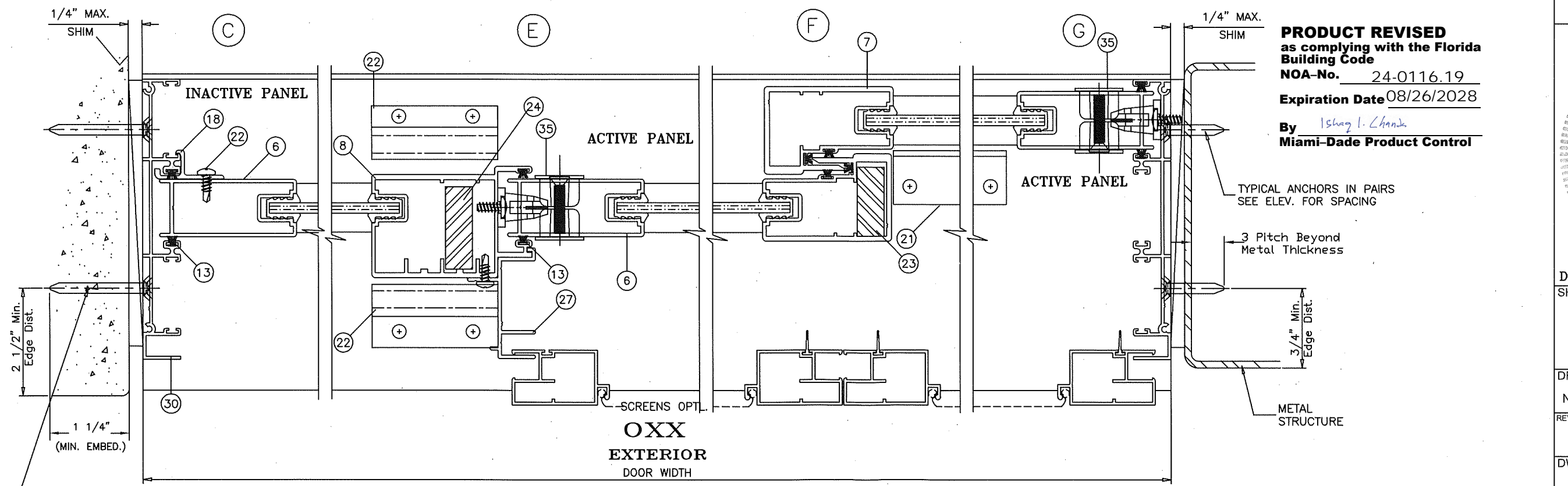


1900 SW 44TH AVE.  
OCALA, FLORIDA 34474  
WWW.CWS.CC



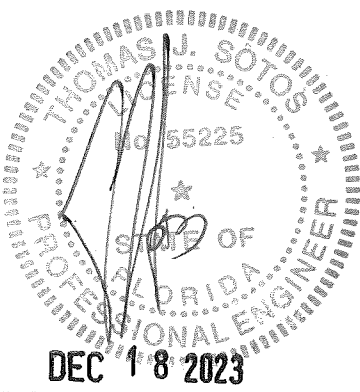
**CWS 380 NON-IMPACT ALUM  
SLIDING GLASS DOOR  
STANDARD STEEL  
REINFORCEMENT**

NO.	DESCRIPTION	BY	DATE
A			



**PRODUCT REVISED**  
as complying with the Florida  
Building Code  
NOA-No. 24-0116.19  
Expiration Date 08/26/2028  
By *Ishag I. Chande*  
Miami-Dade Product Control

THOMAS J. SOTOS  
PROFESSIONAL ENGINEER  
FL LIC. # 55225



DATE  
SHEET DESCRIPTION:  
3 TRACK HORIZONTAL  
CROSS SECTIONS

DRAWN BY: NELSON ERAZO DATE: 11/17/2023

REV. BY: DATE:

DWG #: CWS-1214 REV #:

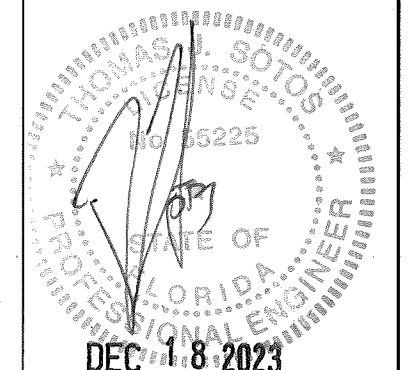
SCALE: AS NOTED SHEET 6 OF 8

**THREE (3) TRACK SECTION**

**CWS 380 NON-IMPACT ALUMINUM  
 SLIDING GLASS DOOR  
 STANDARD STEEL  
 REINFORCEMENT**

NO.	DESCRIPTION	BY	DATE
A			

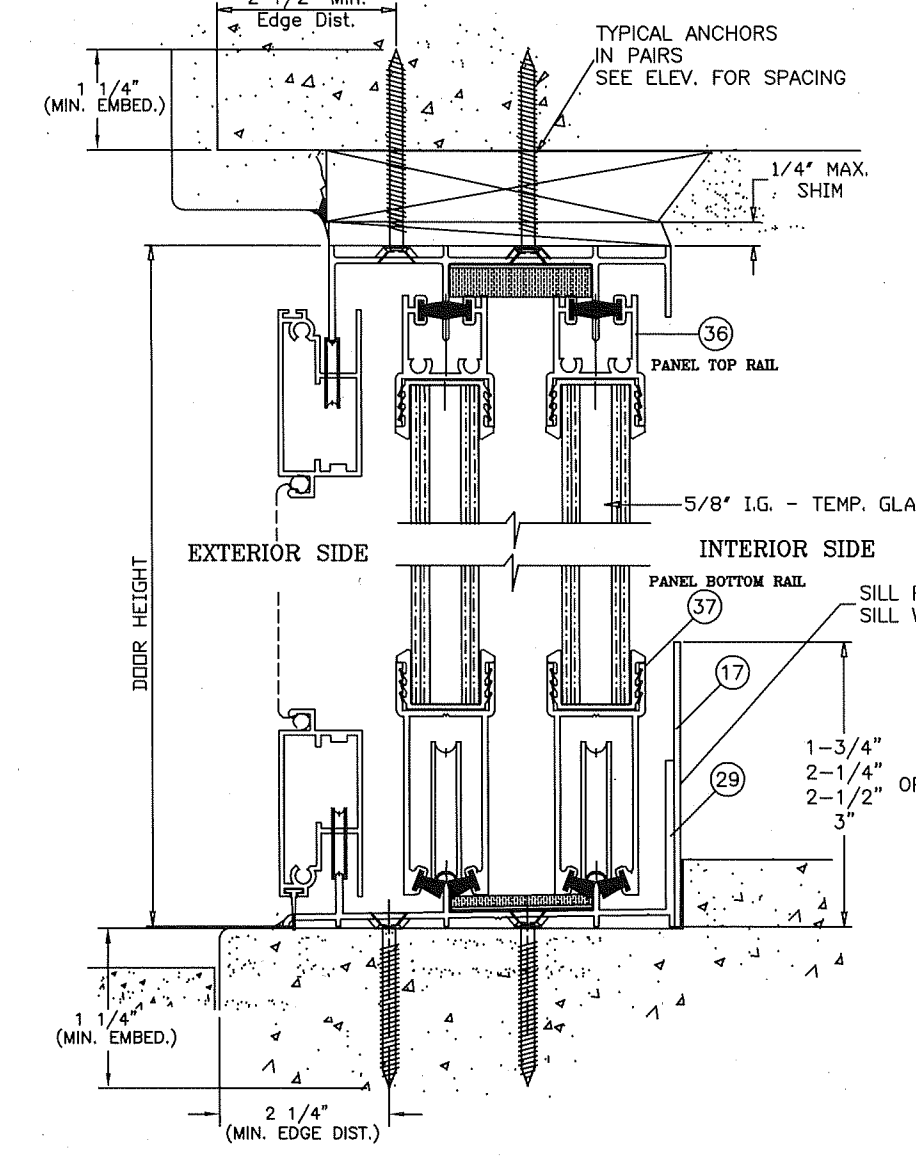
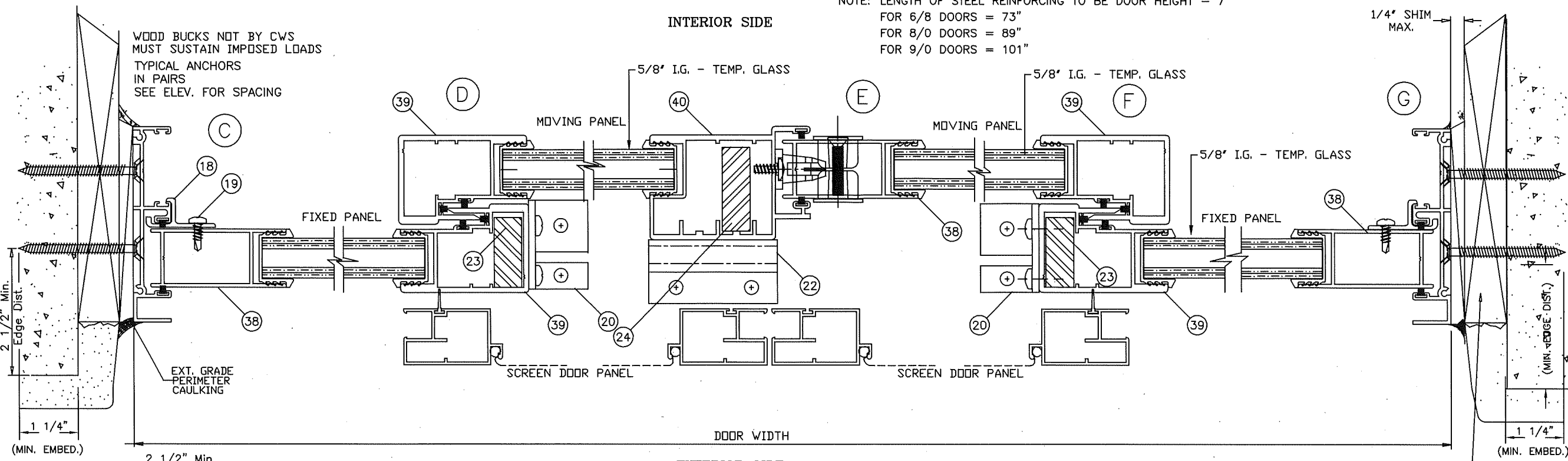
**THOMAS J. SOTOS**  
 PROFESSIONAL ENGINEER  
 FL LIC. # 55225  
 SEAL



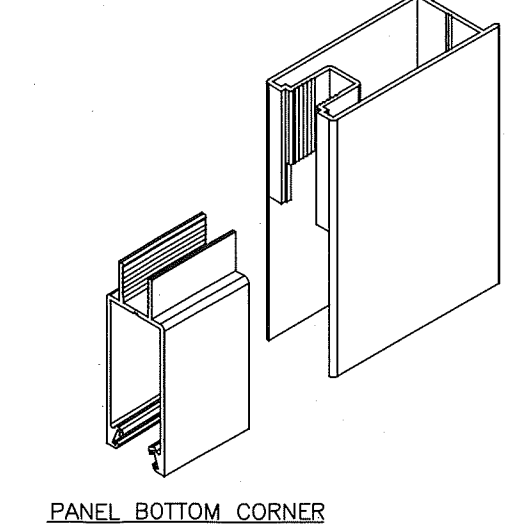
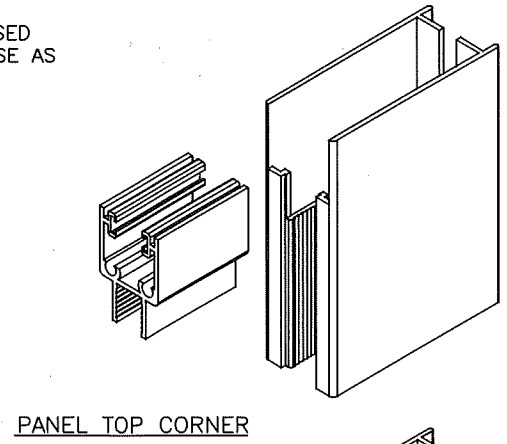
DATE  
 SHEET DESCRIPTION:  
**INSULATED DOOR PANEL  
 SECTIONS & PANEL TYPE  
 DETAILS**

DRAWN BY: NELSON ERAZO	DATE: 11/17/2023
REV. BY:	DATE:
DWG #: CWS-1214	REV #:
SCALE: AS NOTED	SHEET 7 OF 8

NOTE: LENGTH OF STEEL REINFORCING TO BE DOOR HEIGHT - 7"  
 FOR 6/8 DOORS = 73"  
 FOR 8/0 DOORS = 89"  
 FOR 9/0 DOORS = 101"



Note:  
 INSULATED PANELS APPROVED TO BE USED  
 IN ANY CONFIGURATION SIMILAR TO THOSE AS  
 SHOWN ON SHEETS 4, 5, & 6.



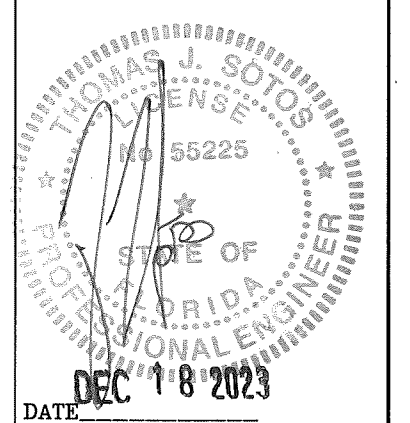


1900 SW 44TH AVE.  
OCALA, FLORIDA 34474  
WWW.CWS.CC

**CWS 380 NON-IMPACT ALUMINUM  
SLIDING GLASS DOOR  
STANDARD STEEL  
REINFORCEMENT**

NO.	DESCRIPTION:	BY:	DATE:
A			

**THOMAS J. SOTOS  
PROFESSIONAL ENGINEER  
FL LIC. # 55225  
SEAL**



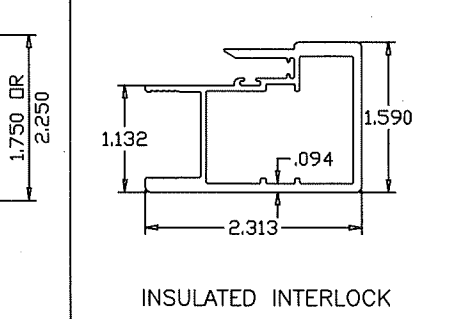
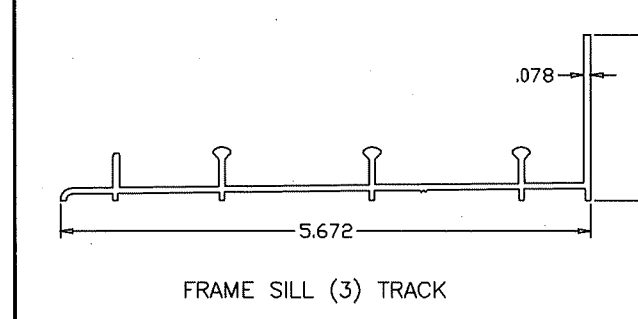
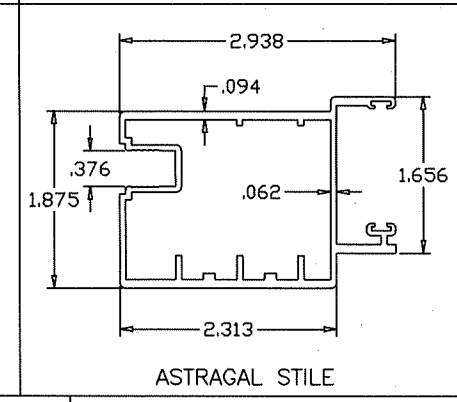
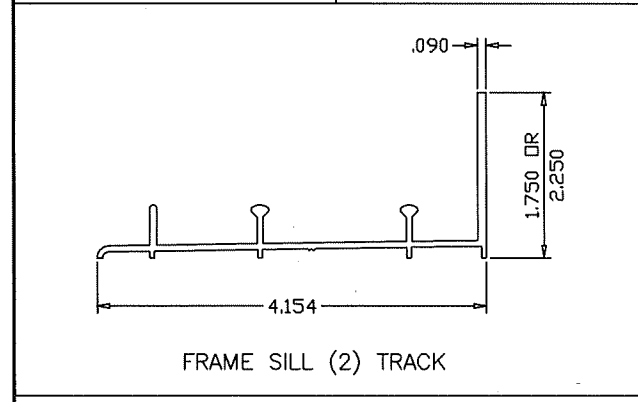
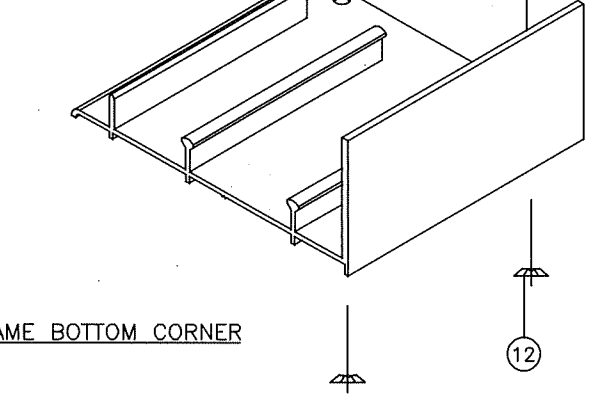
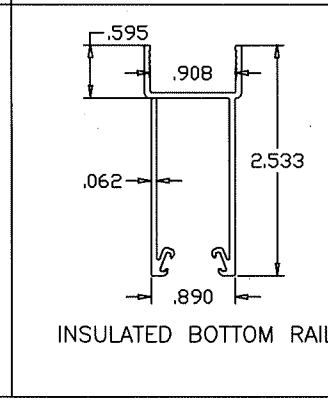
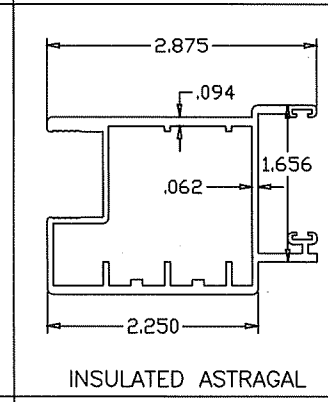
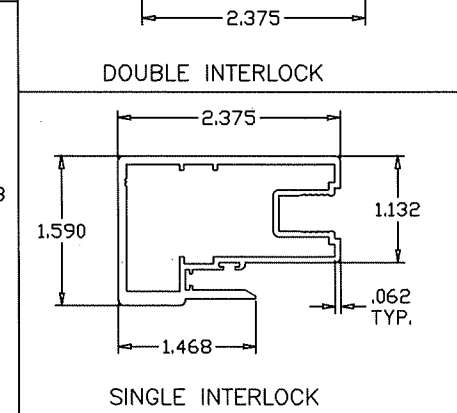
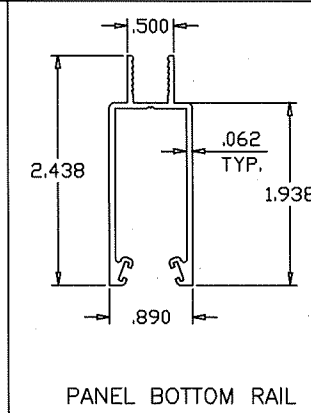
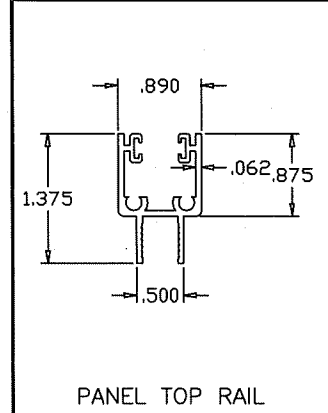
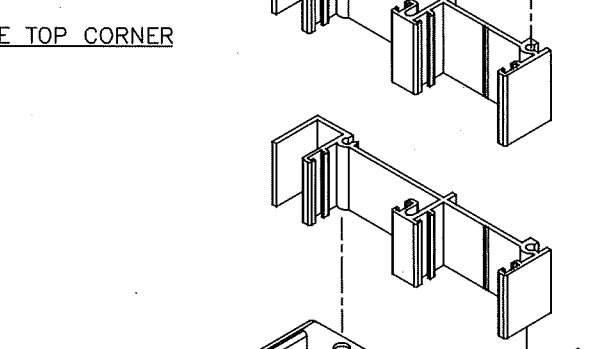
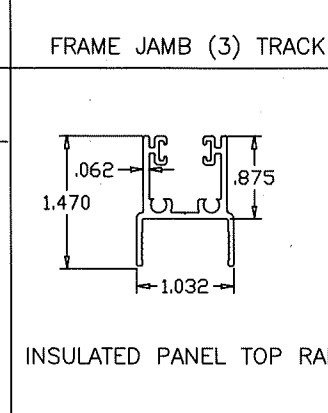
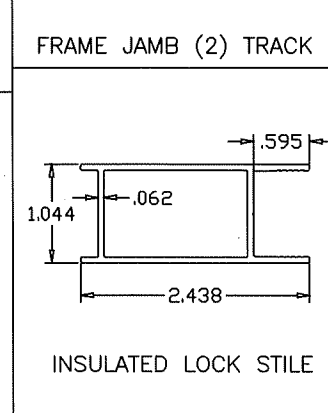
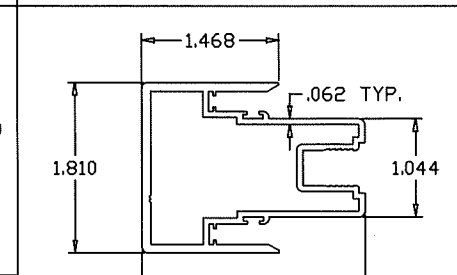
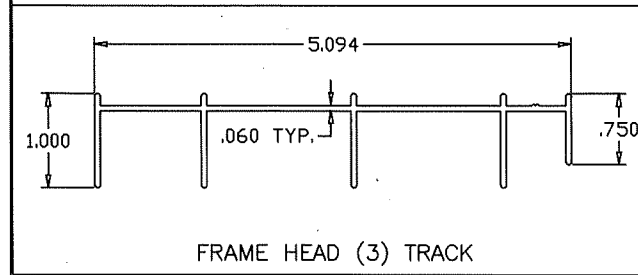
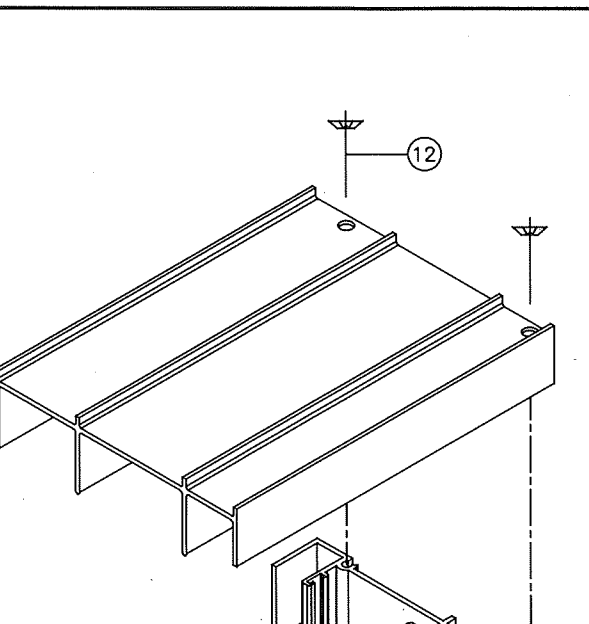
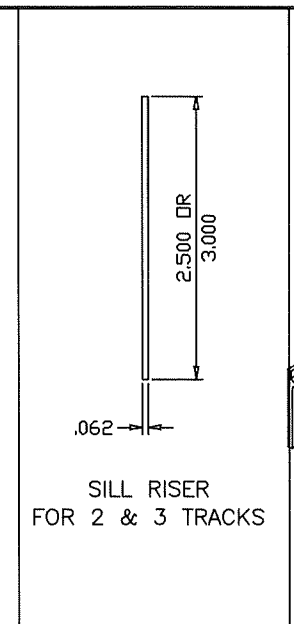
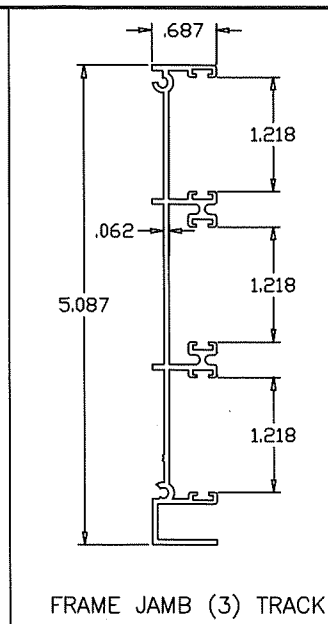
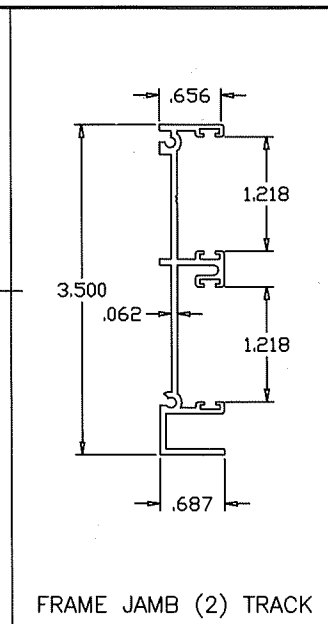
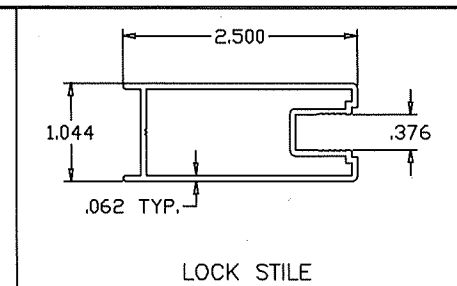
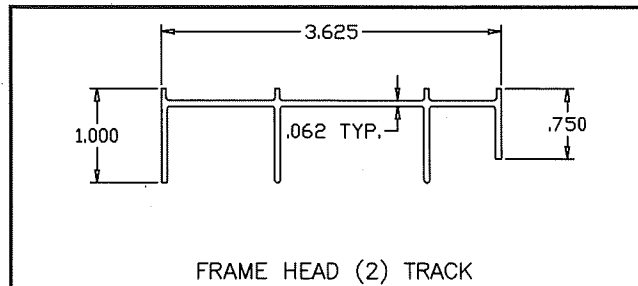
DATE: **DEC 18 2023**  
SHEET DESCRIPTION:  
**EXTRUSION SECTION  
DRAWINGS & FRAME  
ASSEMBLY DETAIL**

DRAWN BY: NELSON ERAZO DATE: 11/17/2023

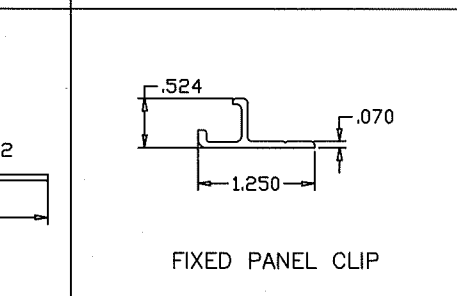
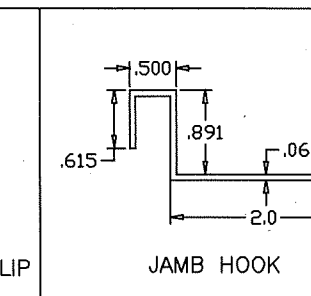
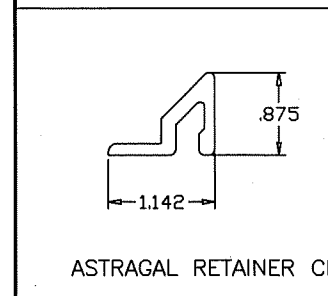
REV. BY: DATE:

DWG #: CWS-1214 REV. #:

SCALE: AS NOTED SHEET 8 OF 8



Flexible Vinyl (FPVC) Composition - Team Plastics, Inc.		
<b>*1. FPVC Black: Compound No. 7200-75</b>		
<b>PHYSICAL</b>		<b>ASTM NO.</b>
Durometer Hardness "A", 10 sec	75	D-2240
Specific Gravity	1.45	D-792
Tensile Strength, PSI	1640	D-638
Ultimate Elongation, %	340.0	D-638
Modulus @ 100% Elongation, PSI	765.0	D-638
Impact Brittleness,	-31.0	D-746
<b>*2. FPVC White: Compound No. 7267-75</b>		
<b>PHYSICAL</b>		<b>ASTM NO.</b>
Durometer Hardness "A", 10 sec	75	D-2240
Specific Gravity	1.45	D-792
Tensile Strength, PSI	1640	D-638
Ultimate Elongation, %	325.0	D-638
Modulus @ 100% Elongation, PSI	765.0	D-638
Impact Brittleness,	-30.0	D-746



**PRODUCT REVISED**  
as complying with the Florida  
Building Code  
NOA-No. 24-0116.19  
Expiration Date 08/26/2028  
By *Ishag I. Chande*  
Miami-Dade Product Control