



MIAMI-DADE COUNTY
PRODUCT CONTROL SECTION
 11805 SW 26 Street, Room 208
 Miami, Florida 33175-2474
 T (786) 315-2590 F (786) 315-2599
www.miamidade.gov/building

DEPARTMENT OF REGULATORY AND ECONOMIC RESOURCES (RER)
 BOARD AND CODE ADMINISTRATION DIVISION
NOTICE OF ACCEPTANCE (NOA)

Custom Window Systems, Inc.
1900 SW 44th Avenue
Ocala, FL 34474

SCOPE:

This NOA is being issued under the applicable rules and regulations governing the use of construction materials. The documentation submitted has been reviewed and accepted by Miami-Dade County RER - Product Control Section to be used in Miami Dade County and other areas where allowed by the Authority Having Jurisdiction (AHJ).

This NOA shall not be valid after the expiration date stated below. The Miami-Dade County Product Control Section (In Miami-Dade County) and/ or the AHJ (in areas other than Miami-Dade County) reserve the right to have this product or material tested for quality assurance purposes. If this product or material fails to perform in the accepted manner, the manufacturer will incur the expense of such testing and the AHJ may immediately revoke, modify, or suspend the use of such product or material within their jurisdiction. RER reserves the right to revoke this acceptance if it is determined by Miami-Dade County Product Control Section that this product or material fails to meet the requirements of the applicable building code.

This product is approved as described herein and has been designed to comply with the Florida Building Code, including the High Velocity Hurricane Zone.

DESCRIPTION: Series "7400 Flange Frame" Outswing Aluminum Casement Window – L.M.I.

APPROVAL DOCUMENT: Drawing No. CWS-1221, titled "Series: 7400 Aluminum Casement Window-Impact Flange Frame", sheets 1 through 7 of 7, dated 12/18/23, prepared by manufacturer, signed and sealed by Thomas J. Sotos, P.E., on 12/18/23 bearing the Miami-Dade County Product Control Revision stamp with the Notice of Acceptance number and expiration date by the Miami-Dade County Product Control Section.

MISSILE IMPACT RATING: Large and Small Missile Impact Resistant

LABELING: Each unit shall bear a permanent label with the manufacturer's name or logo, city, state, series, and following statement: "Miami-Dade County Product Control Approved", unless otherwise noted herein.

RENEWAL of this NOA shall be considered after a renewal application has been filed and there has been no change in the applicable building code negatively affecting the performance of this product.

TERMINATION of this NOA will occur after the expiration date or if there has been a revision or change in the materials, use, and/ or manufacture of the product or process. Misuse of this NOA as an endorsement of any product, for sales, advertising or any other purposes shall automatically terminate this NOA. Failure to comply with any section of this NOA shall be cause for termination and removal of NOA.

ADVERTISEMENT: The NOA number preceded by the words Miami-Dade County, Florida, and followed by the expiration date may be displayed in advertising literature. If any portion of the NOA is displayed, then it shall be done in its entirety.

INSPECTION: A copy of this entire NOA shall be provided to the user by the manufacturer or its distributors and shall be available for inspection at the job site at the request of the Building Official.

This NOA revises NOA #24-0116.04 and consists of this page 1 and evidence pages E-1, E-2, E-3 and E-4, as well as approval document mentioned above.

The submitted documentation was reviewed by **Helmy a. Makar, P.E., M.S.**

Helmy A. Makar
 02/01/2024



NOA No. 24-0116.11
 Expiration Date: 03/04/2029
 Approval Date: 02/01/2024
 Page 1

NOTICE OF ACCEPTANCE: EVIDENCE SUBMITTED

1. EVIDENCE SUBMITTED UNDER PREVIOUS NOA's

A. DRAWINGS

1. Manufacturer's die drawings and sections.
(Submitted under NOA No. 08-1020.08)
2. Drawing No. **L3200-0801**, titled "Series: 3200 Outswing Impact Casement Window", sheets 1 through 7 of 7, dated 07/27/08, with revision **F** dated 08/10/20, prepared by manufacturer, signed and sealed by Thomas J. Sotos, P.E.
(Submitted under NOA No. 20-0814.07)

B. TESTS

1. Test reports on: 1) Air Infiltration Test, per FBC, TAS 202-94
2) Uniform Static Air Pressure Test, Loading per FBC TAS 202-94
3) Water Resistance Test, per FBC, TAS 202-94
4) Large Missile Impact Test per FBC, TAS 201-94
5) Cyclic Wind Pressure Loading per FBC, TAS 203-94
6) Forced Entry Test, per FBC 2411.3.2.1, and TAS 202-94
along with marked-up drawings and installation diagram of a series 3200 outswing aluminum casement window, prepared by Fenestration Testing Laboratory, Inc., Test Report No. **FTL-10570**, dated 02/08/19, signed and sealed by Idalmis Ortega, P.E.
(Submitted under NOA No.19-0227.06)
2. Test reports on: 1) Air Infiltration Test, per FBC, TAS 202-94
2) Uniform Static Air Pressure Test, Loading per FBC, TAS 202-94
3) Water Resistance Test, per FBC, TAS 202-94
4) Forced Entry Test, per FBC 2411.3.2.1, and TAS 202-94
along with marked-up drawings and installation diagram of a series 3200 outswing aluminum casement window, X configuration, w/5/16" ann. lami glass w/PVB laminate by DuPont, Test Reports No. **HETI-08-2099A, HETI-08-2102A, HETI-08-2097A, HETI-08-2103A** and **HETI-08-2131A**, all dated 07/10/08, signed and sealed by Candido F. Font, P.E.
(Submitted under NOA No. 08-1020.08)
3. Test reports on: 1) Large Missile Impact Test per FBC, TAS 201-94
2) Cyclic Wind Pressure Loading per FBC, TAS 203-94
along with marked-up drawings and installation diagram of a series 3200 outswing aluminum casement window, X configuration, w/5/16" ann. lami glass w/PVB laminate by DuPont, Test Reports No. **HETI-08-2099B, HETI-08-2100, HETI-08-2101, HETI-08-2102B, HETI-08-2097B, HETI-08-2103B, HETI-08-2104, HETI-08-2105, HETI-08-2106, HETI-08-2125, and HETI-08-2131B**, all dated 07/10/08, signed and sealed by Candido F. Font, P.E.
(Submitted under NOA No. 08-1020.08)



Helmy A. Makar, P.E., M.S.
Product Control Section Supervisor
NOA No. 24-0116.11
Expiration Date: 03/04/2029
Approval Date: 02/01/2024

NOTICE OF ACCEPTANCE: EVIDENCE SUBMITTED

1. EVIDENCE SUBMITTED UNDER PREVIOUS NOA's (CONTINUED)

C. CALCULATIONS

1. Anchor verification calculations and structural analysis, complying with FBC 6th Edition (2017), dated 03/01/19, prepared by manufacturer, signed and sealed by Thomas J. Sotos, P.E.
(Submitted under NOA No.19-0227.06)

D. QUALITY ASSURANCE

1. Miami-Dade Department of Regulatory and Economic Resources (RER)

E. MATERIAL CERTIFICATIONS


1. Notice of Acceptance No. **18-0725.11** issued to **Kuraray America, Inc.** for their "**Kuraray SentryGlas® Xtra™ (SGX™) Clear Glass Interlayer**" dated 05/23/19, expiring on 05/23/24.
2. Notice of Acceptance No. **19-0305.02** issued to **Kuraray America, Inc.** for their "**Trosifol® Ultraclear, Clear and Color PVB Glass Interlayers**" dated 05/09/19, expiring on 07/08/24.
3. Notice of Acceptance No. **20-0622.01** issued to **Eastman Chemical Company (MA)** for their "**Saflex PVB Clear and Color Glass Interlayers**" dated 08/06/20, expiring on 05/21/21.

F. STATEMENTS

1. Statement letter of conformance to **FBC 7th Edition (2020)**, dated August 3, 2020, issued by the manufacturer, signed and sealed by Thomas J. Sotos, P.E.
(Submitted under NOA No.20-0814.07)
2. Testing Proposal issued by the Product Control Section, dated December 12, 2018, signed by Manuel Perez, P.E.
(Submitted under NOA No.19-0227.06)
3. Laboratory compliance letter for Test Reports No.'s **HETI-08-2099A, HETI-08-2102A, HETI-08-2097A, HETI-08-2103A, HETI-08-2131A, HETI-08-2099B, HETI-08-2100, HETI-08-2101, HETI-08-2102A, HETI-08-2102B, HETI-08-2097B, HETI-08-2103B, HETI-08-2104, HETI-08-2105, HETI-08-2106, HETI-08-2125 and HETI-08-2131B**, all dated 07/10/08, all issued by Hurricane Engineering & Testing, Inc., signed and sealed by Candido F. Font, P.E.
(Submitted under NOA No. 08-1020.08)

G. OTHERS

1. Notice of Acceptance No. **19-0227.06** issued to Lawson Industries, Inc. for their Series "3200" Outswing Aluminum Casement Window – L.M.I., approved on 04/04/19 and expiring on 03/04/24.



Helmy A. Makar, P.E., M.S.
Product Control Section Supervisor
NOA No. 24-0116.11
Expiration Date: 03/04/2029
Approval Date: 02/01/2024

Custom Window Systems, Inc.

NOTICE OF ACCEPTANCE: EVIDENCE SUBMITTED

2. EVIDENCE SUBMITTED UNDER PREVIOUS NOA #23-1010.05

A. DRAWINGS

1. Drawing No. **L3200-0801**, titled "Series: 3200 Outswing Impact Casement Window", sheets 1 through 7 of 7, dated 07/27/08, with revision **G** dated 09/29/23, prepared by manufacturer, signed and sealed by Thomas J. Sotos, P.E.

B. TESTS

1. None

C. CALCULATIONS

1. None.

D. QUALITY ASSURANCE

1. Miami-Dade Department of Regulatory and Economic Resources (RER)

E. MATERIAL CERTIFICATIONS


1. Notice of Acceptance No. **22-1116.01** issued to **Kuraray America, Inc.** for their "**SentryGlas® (Clear and White) Glass Interlayers**" dated 12/15/22, expiring on 07/04/28.
2. Notice of Acceptance No. **20-0915.22** issued to **Kuraray America, Inc.** for their "**Trosifol® Ultraclear, Clear and Color PVB Glass Interlayers**" dated 11/19/20, expiring on 07/08/24.
3. Notice of Acceptance No. **21-0216.01** issued to **Eastman Chemical Company (MA)** for their "**Saflex PVB Interlayers - Clear and Colored for Glass**" dated 04/29/21, expiring on 05/21/26.

F. STATEMENTS

1. Statement letter of conformance, complying with **FBC 8th Edition (2023)**, dated October 4, 2023, issued by the manufacturer, signed and sealed by Thomas J. Sotos, P.E.
2. Statement letter of no financial interest, dated October 4, 2023, issued by the manufacturer, signed and sealed by Thomas J. Sotos, P.E.
3. Proposal No. **23-0461R** issued by Product Control Section, dated 06/13/23 and revised on 06/16/23, signed by Manuel Perez, P.E.

G. OTHERS

1. Notice of Acceptance No. **20-0814.067** issued to Lawson Industries, Inc. for their Series "3200" Outswing Aluminum Casement Window – L.M.I., approved on 10/15/20 and expiring on 03/04/24.



Helmy A. Makar, P.E., M.S.
Product Control Section Supervisor
NOA No. 24-0116.11
Expiration Date: 03/04/2029
Approval Date: 02/01/2024

NOTICE OF ACCEPTANCE: EVIDENCE SUBMITTED

3. NEW EVIDENCE SUBMITTED

A. DRAWINGS

1. Drawing No. **CWS-1221**, titled “Series: 7400 Aluminum Casement Window- Impact Flange Frame”, sheets 1 through 7 of 7, dated 12/18/23, prepared by manufacturer, signed and sealed by Thomas J. Sotos, P.E., on 12/18/23.

B. TESTS

1. None

C. CALCULATIONS

1. None.

D. QUALITY ASSURANCE

1. Miami-Dade Department of Regulatory and Economic Resources (RER)

E. MATERIAL CERTIFICATIONS


1. None.

F. STATEMENTS

1. Statement letter of conformance, complying with **FBC 8th Edition (2023)**, dated 12/18/2023, issued by the manufacturer, signed and sealed by Thomas J. Sotos, P.E.
2. Statement letter of no financial interest, dated December 18, 2023, issued by the manufacturer, signed and sealed by Thomas J. Sotos, P.E.
3. Private Labeling Agreement document in conformance to Product Control guidelines dated 01/11/24, signed by Kevin E. Pine, Vice President.

G. OTHERS

1. Notice of Acceptance No. **24-0116.04** issued to Lawson Industries, Inc. for their Series “3200” Outswing Aluminum Casement Window – L.M.I., approved on 02/01/24 and expiring on 03/04/29.

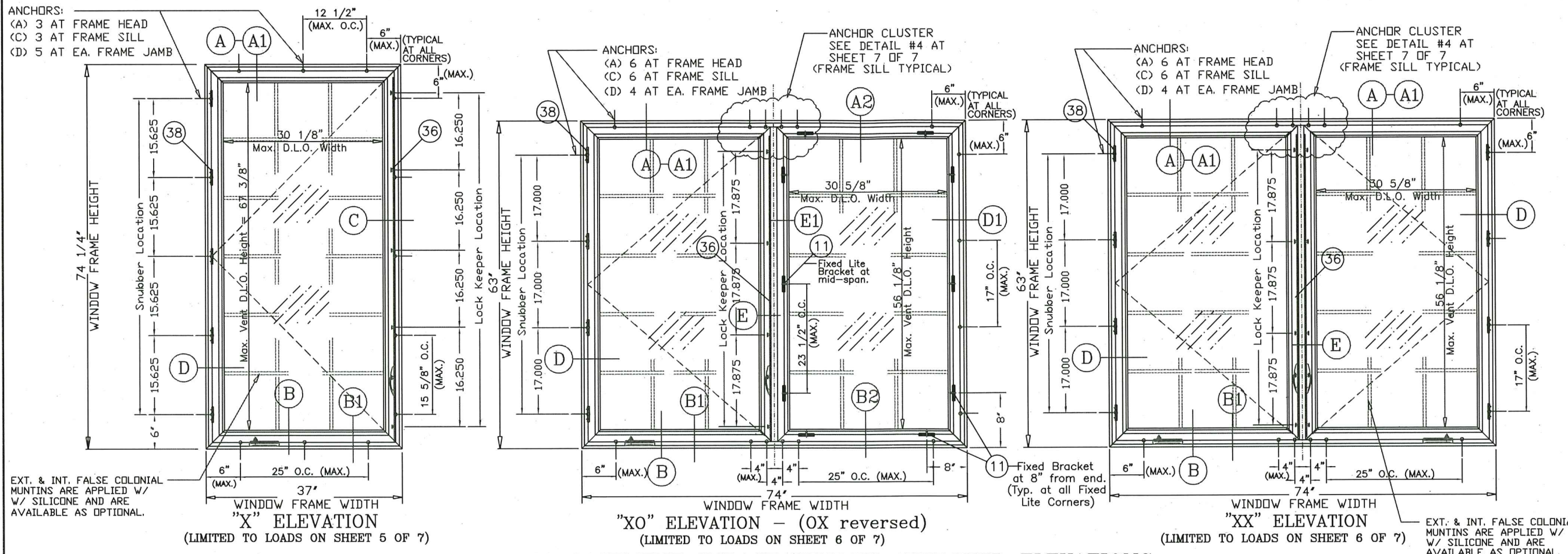


Helmy A. Makar, P.E., M.S.
Product Control Section Supervisor
NOA No. 24-0116.11
Expiration Date: 03/04/2029
Approval Date: 02/01/2024



1900 SW 44TH AVE.
OCALA, FLORIDA 34474
WWW.CWS.CO

**7400 ALUMINUM
CASEMENT WINDOW -
IMPACT FLANGE FRAME**



OUTSWING CASEMENT IMPACT WINDOW APPROVED ELEVATIONS

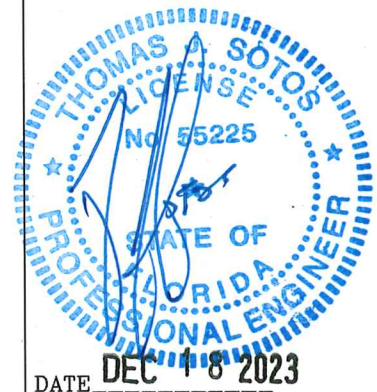
General Notes:

- 1.) THIS WINDOW SYSTEM IS DESIGNED AND TESTED TO COMPLY WITH THE REQUIREMENTS OF THE FLORIDA BUILDING CODE (2020-7th Edition & 2023-8th Edition) INCLUDING HIGH VELOCITY HURRICANE ZONE (HVHZ) AND ASTM 1300-09. THIS PRODUCT IS IMPACT RESISTANT AND DOES NOT REQUIRED SHUTTERS.
- 2.) 1X or 2 X WOOD BUCKS SHALL BE INSTALLED AND ANCHORED SO THAT THE BUILDING RESISTS THE SUPERIMPOSED LOADS IN ACCORDANCE WITH REQUIREMENTS OF F.B.C. & TO BE REVIEWED BY BUILDING OFFICIAL.
- 3.) ANCHORS SHOWN ABOVE ARE AS PER TEST UNITS. ON CENTER (O.C.) ANCHOR SPACINGS WILL VARY WITH UNIT DIMENSIONS, AND THE NUMBER OF ANCHORS REQUIRED, AS SPECIFIED ON THE LOAD TABLES AT SHEETS 5 & 6.
- 4.) ANCHOR CONDITIONS NOT DESCRIBED IN THESE DRAWING'S ARE TO BE ENGINEERED ON A SITE SPECIFIC BASIS, UNDER SEPARATE APPROVAL AND TO BE REVIEWED BY BUILDING OFFICIAL.
- 5.) SEE SHEET #4 OF 7 FOR BILL OF MATERIALS AND DETAILS.
- 6.) SEE SHEET #5 & 6 OF 7 FOR GLAZING DETAILS & OPTIONS AND CHARTS FOR MAX. DESIGN PRESSURES.
- 7.) WOOD BUCKS IN CONTACT WITH CONCRETE MUST BE PRESSURE TREATED AND ANCHORED PRIOR TO WINDOW INSTALLATION (BY OTHERS). (SEE SHEETS #2 & 3 FOR DETAIL & NOTES)
- 8.) MATERIALS INCLUDING BUT NOT LIMITED TO STEEL SCREWS, THAT COME INTO CONTACT WITH OTHER DISSIMILAR MATERIALS SHALL MEET THE REQUIREMENTS OF FLORIDA BUILDING CODE.
- 9.) EXT. & INT. FALSE COLONIAL MUNTINS ARE OPTIONAL & AND ARE APPLIED W/ SILICONE
- 10.) FRAME SILL ANCHOR CLIPS TO BE MEASURED FROM THE INSIDE EDGE OF THE WINDOW FRAME AND TO BE LOCATED WITHIN A +/- 1/2" TOLERANCE. TOTAL OF ANCHORS REQUIRED AT SILL TO BE THE SAME AS FRAME HEAD.
- 11.) SEE SHEET # 4 OF 10 FOR FLANGE PERIMETER CAULK/ INSTALLATION DETAIL.
- 12.) EXT. & INT. FALSE COLONIAL MUNTINS ARE OPTIONAL & AND ARE APPLIED W/ SILICONE

GENERAL ANCHORS NOTE:
SEE SHEETS 2 & 3 OF 7 FOR ANCHOR TYPES, DESCRIPTIONS AND ANCHOR LOAD CAPACITIES.
ALL ANCHORS WITH A MINIMUM OF 1 1/4" EMBEDMENT INTO MASONRY, WOOD OR CONCRETE.

WOOD BUCKS AND METAL STRUCTURES NOT BY CWS MUST SUPPORT LOADS IMPOSED BY GLAZING SYSTEM AND TRANSFER THEM TO THE BUILDING STRUCTURE.

PRODUCT REVISED
as complying with the Florida Building Code
Acceptance No **24-0116.11**
Expiration Date **03/04/2029**
By *Hely A. White*
Miami Dade Product Control



THOMAS J. SOTOS, P.E.
FL. P.E. LIC. # 55225
SHEET DESCRIPTION:
GENERAL NOTES,
APPROVED ELEVATIONS
(X, XX, XO, or OX)

DRAWN BY: N. Erazo	DATE: 12/18/2023
REV. BY: ---	DATE: ---
DWG #: CWS-1221	REV #:
SCALE: ---	SHEET 1 OF 7

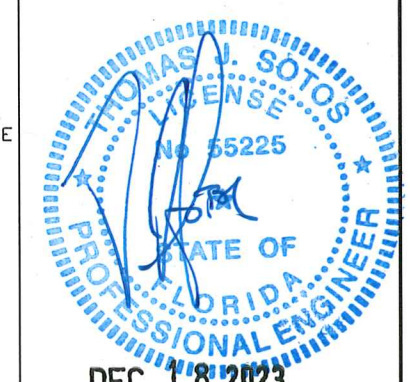
NO.	DESCRIPTION	BY	DATE



1900 SW 44TH AVE.
OCALA, FLORIDA 34474
WWW.CWS.CC

**7400 ALUMINUM
CASEMENT WINDOW -
IMPACT FLANGE FRAME**

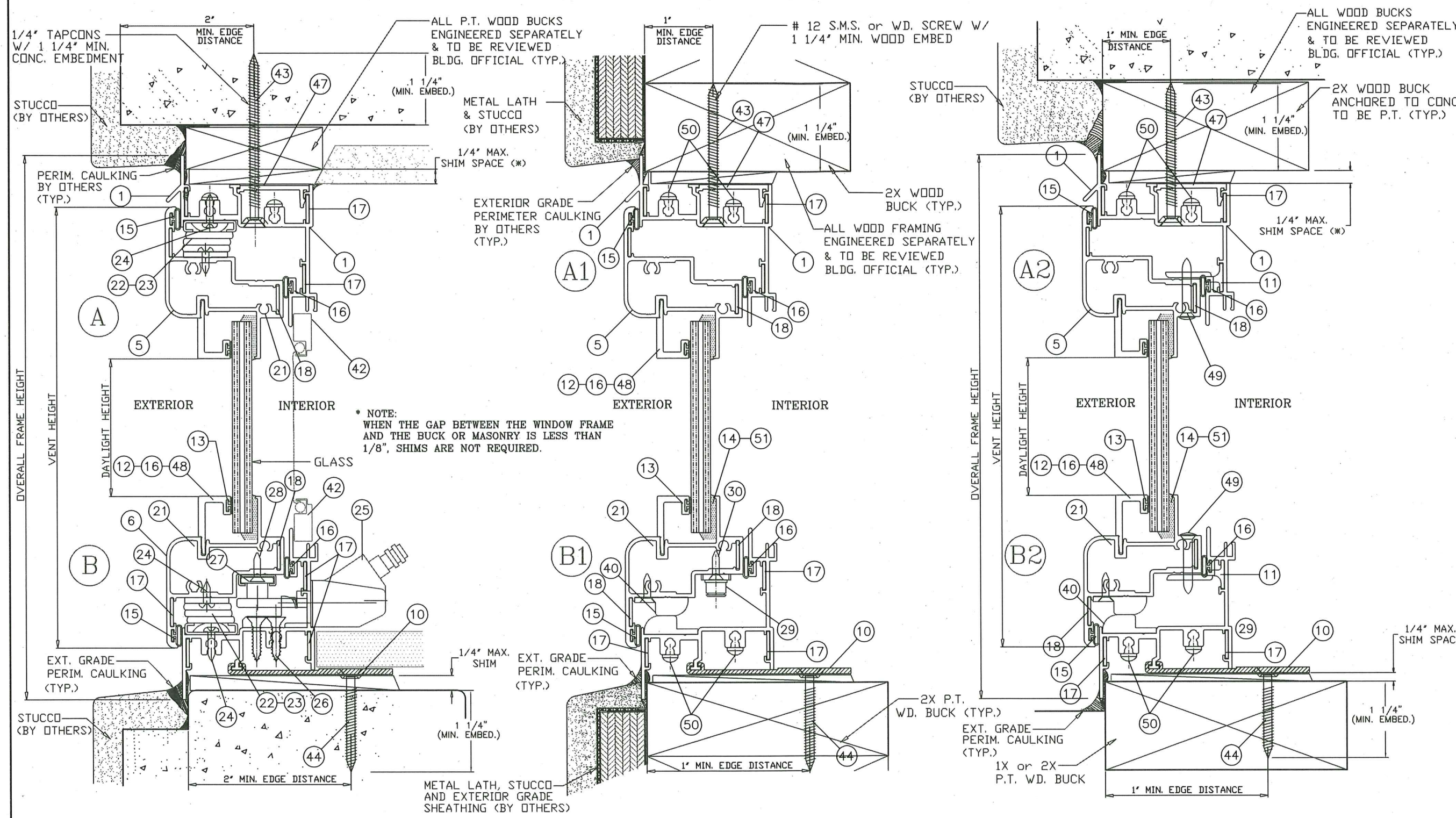
NO.	DESCRIPTION	BY	DATE



DATE **DEC 18 2023**
THOMAS J. SOTOS, P.E.
 FL. P.E. LIC. # 55225

SHEET DESCRIPTION:
**VERTICAL CROSS SECTIONS,
 INSTALLATION DETAILS AND
 NOTES**

DRAWN BY: N. Erazo	DATE: 12/18/2023
REV. BY: ---	DATE: ---
DWG #: CWS-1221	REV #:
SCALE: ---	SHEET 2 OF 7



TYPICAL ANCHORS: (SEE ELEV. AT SHEET 1 OF 7 FOR SPACING)

ANCHOR TYPE CHART IN CONC. or MASONRY (min.)					BLOCK
ANCHOR OPTIONS	SIZE	Embedment	Edge Dist.	Concrete	Edge Dist.
ELCO ULTRACON	1/4"	1 1/4"	1"	2.85 Ksi	2 1/2"
BUILDEX	1/4"	1 1/4"	1 1/2"	2.0 Ksi	2"

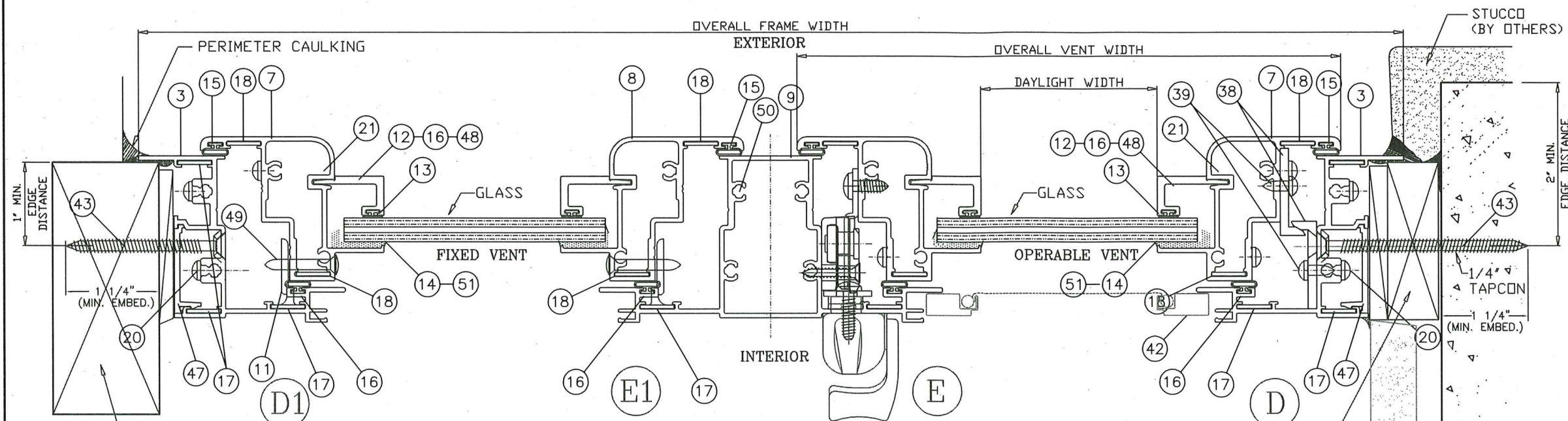
ANCHOR TYPE CHART IN 2X WOOD BUCK (min.)					
ANCHOR OPTIONS	HEAD-SILL	JAMB	Embedment	Edge Dist.	2x Wood
ELCO ULTRACON	1/4"	1/4"	1 1/4"	1"	.55 SG
BUILDEX	1/4"	1/4"	1 1/4"	1"	.55 SG
S.M.S. (Into 2X)	#12	#12	1 1/4"	1"	.55 SG

PRODUCT REVISED
 as complying with the Florida
 Building Code
 Acceptance No. **24-0116-11**
 Expiration Date **03/04/2029**
 By *[Signature]*
 Miami Date Product Control



1900 SW 44TH AVE.
OCALA, FLORIDA 34474
WWW.CWS.CC

**7400 ALUMINUM
CASEMENT WINDOW -
IMPACT FLANGE FRAME**

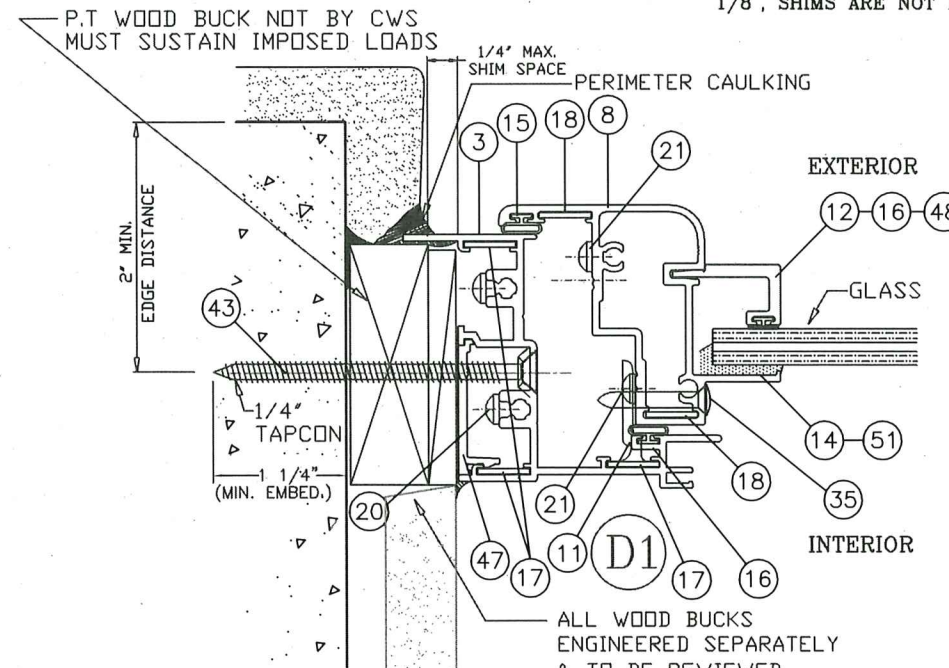
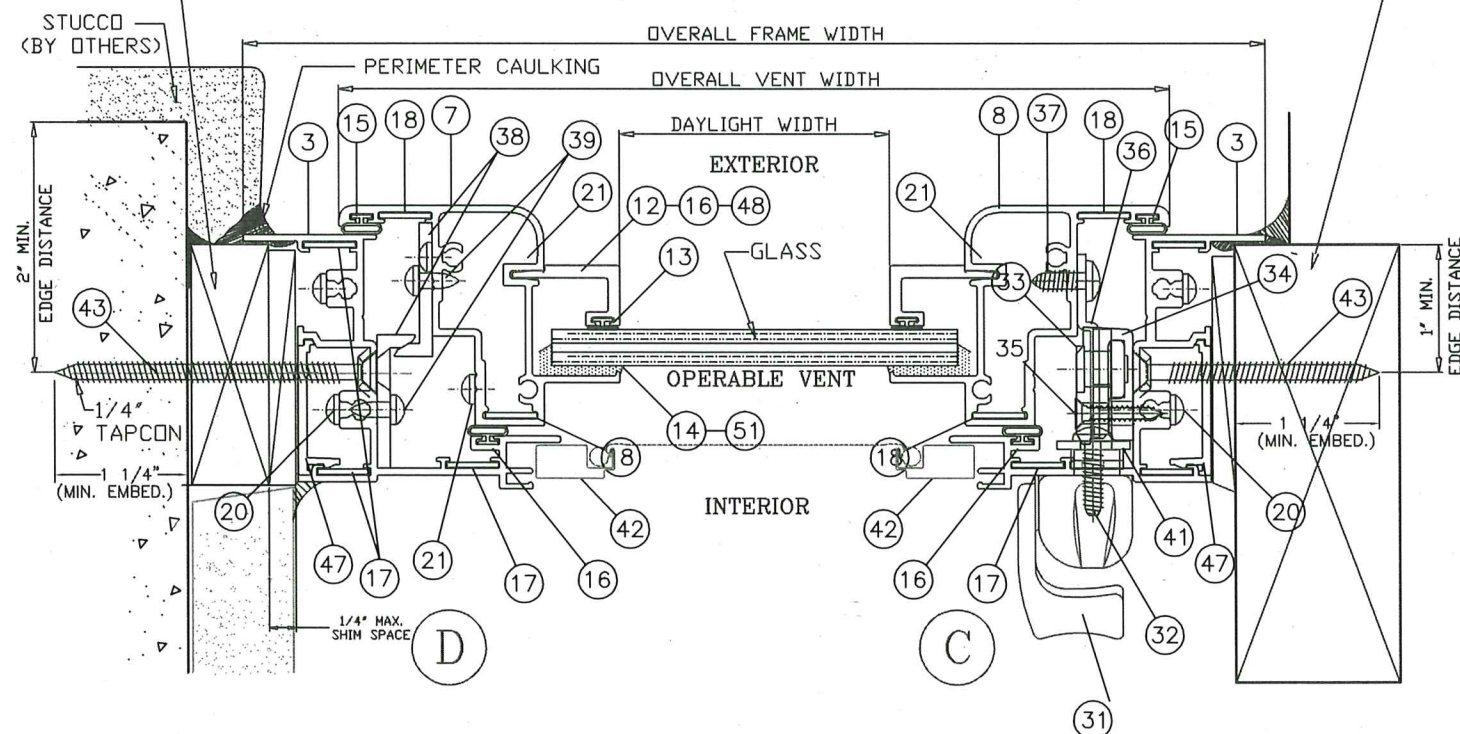


ALL WOOD BUCKS
ENGINEERED SEPARATELY
& TO BE REVIEWED
BLDG. OFFICIAL (TYP.)

* WHEN THE GAP BETWEEN THE WINDOW FRAME
AND THE BUCK OR MASONRY IS LESS THAN 1/8",
SHIMS ARE NOT REQUIRED.

ALL WOOD BUCKS ENGINEERED SEPARATELY
& TO BE REVIEWED BY BLDG. OFFICIAL (TYP.)

* NOTE:
WHEN THE GAP BETWEEN THE WINDOW FRAME
AND THE BUCK OR MASONRY IS LESS THAN
1/8", SHIMS ARE NOT REQUIRED.

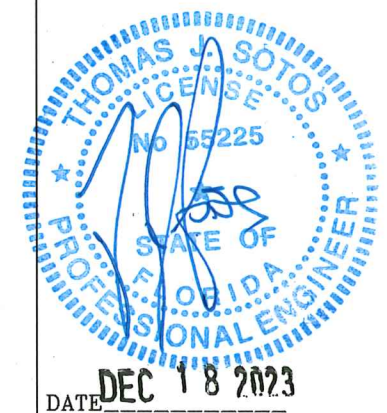


ALL WOOD BUCKS
ENGINEERED SEPARATELY
& TO BE REVIEWED
BLDG. OFFICIAL (TYP.)

TYPICAL ANCHORS:(SEE ELEV. AT SHEET 1 OF 7 FOR SPACING)

ANCHOR TYPE CHART IN CONC. or MASONRY (min.)						BLOCK
ANCHOR OPTIONS	SIZE	Embedment	Edge Dist.	Concrete	Edge Dist.	
ELCO ULTRACON	1/4"	1 1/4"	1"	2.85 Ksi	2 1/2"	
BUILDEX	1/4"	1 1/4"	1 1/2"	2.0 Ksi	2"	
ANCHOR TYPE CHART IN 2X WOOD BUCK (min.)						
ANCHOR OPTIONS	HEAD-SILL	JAMB	Embedment	Edge Dist.	2x Wood	
ELCO ULTRACON	1/4"	1/4"	1 1/4"	1"	.55 SG	
BUILDEX	1/4"	1/4"	1 1/4"	1"	.55 SG	
S.M.S. (Into 2X)	#12	#12	1 1/4"	1"	.55 SG	

PRODUCT REVISED
as complying with the Florida
Building Code
Acceptance No. 24-0116.11
Expiration Date 03/09/2029
By: *Hedy A. Nelson*
Miami Dash Product Control



THOMAS J. SOTOS, P.E.
FL. P.E. LIC. # 55225

SHEET DESCRIPTION:
HORIZONTAL CROSS SECTIONS,
INSTALLATION DETAILS AND
NOTES

DRAWN BY: N. Erazo DATE: 12/18/2023

REV. BY: --- DATE: ---

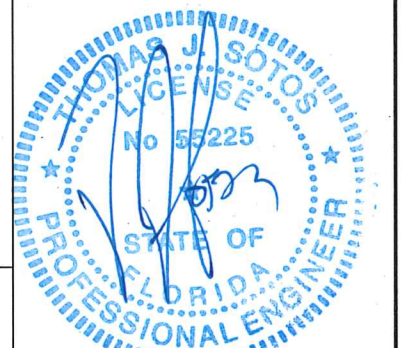
DWG #: CWS-1221 REV. #:

SCALE: --- SHEET 3 OF 7

NO.	DESCRIPTION	BY	DATE

**7400 ALUMINUM
CASEMENT WINDOW -
IMPACT FLANGE FRAME**

NO.	DESCRIPTION	BY	DATE



DATE **DEC 18 2023**

THOMAS J. SOTOS, P.E.
FL. P.E. LIC. # 55225

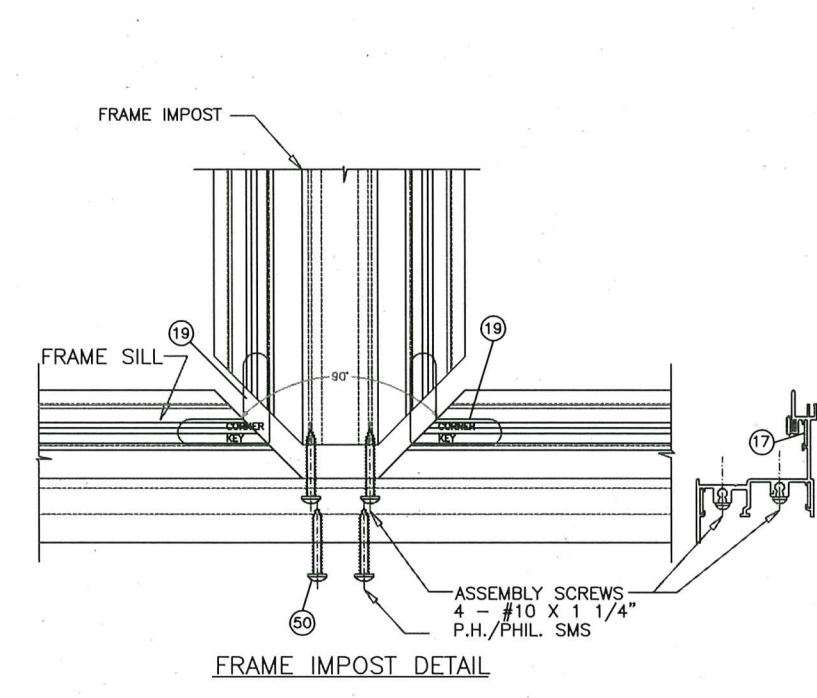
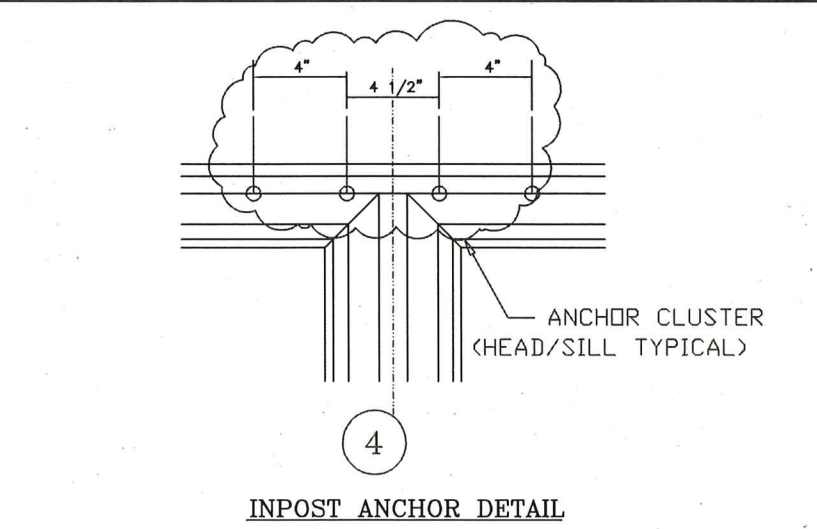
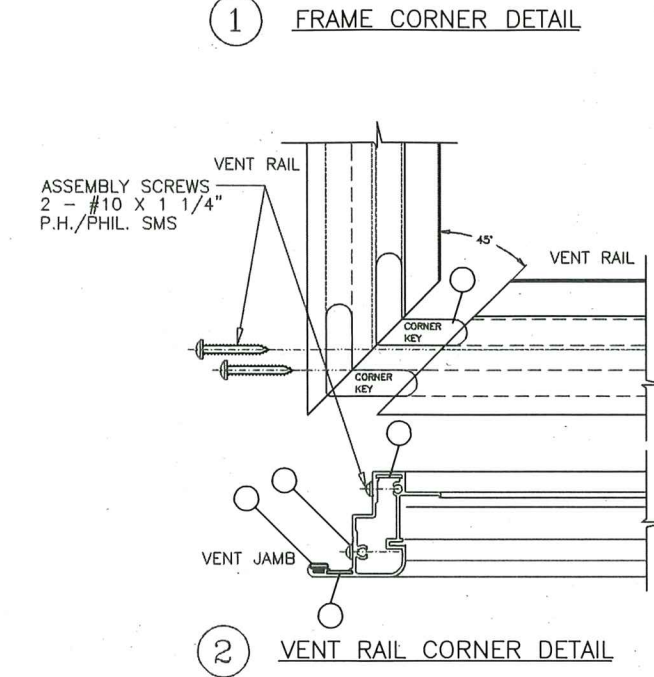
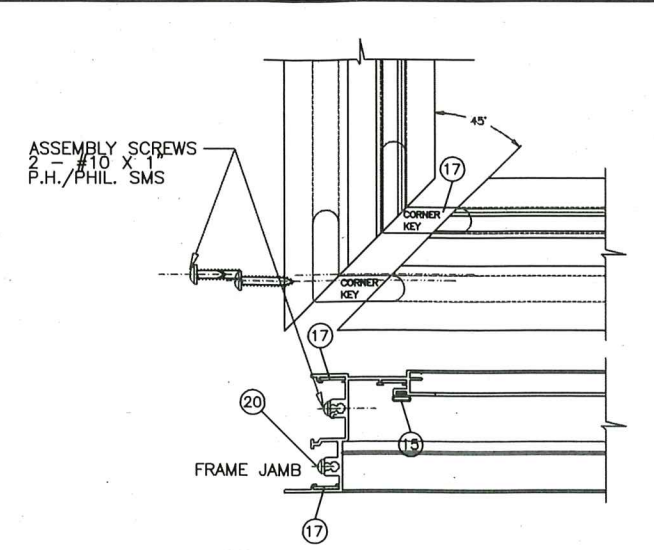
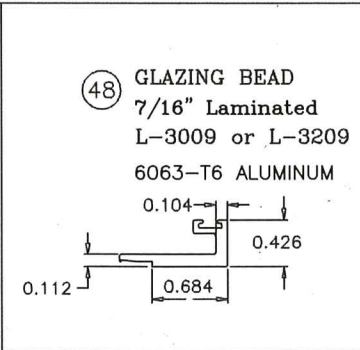
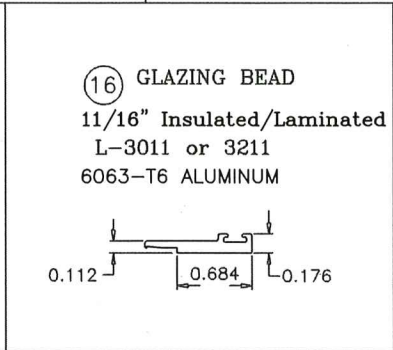
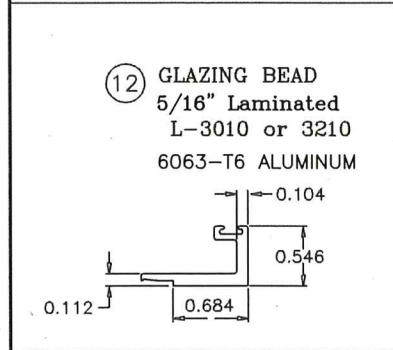
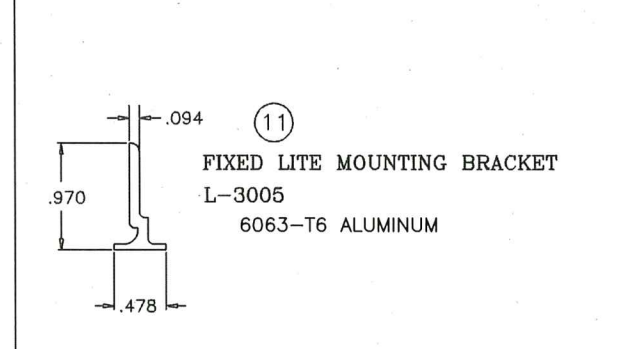
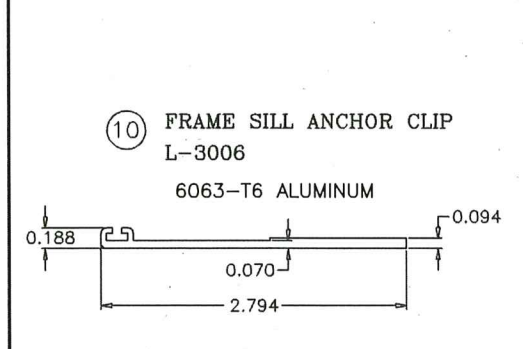
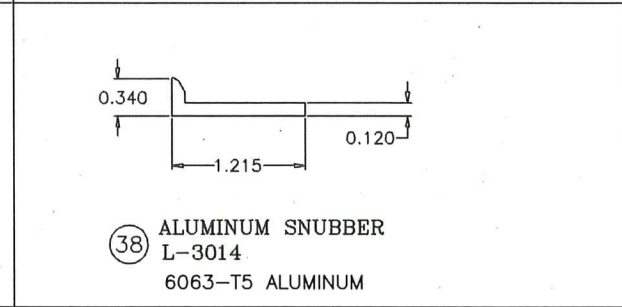
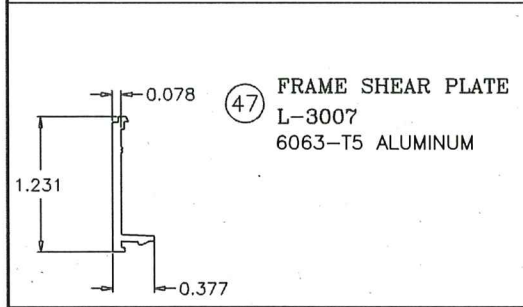
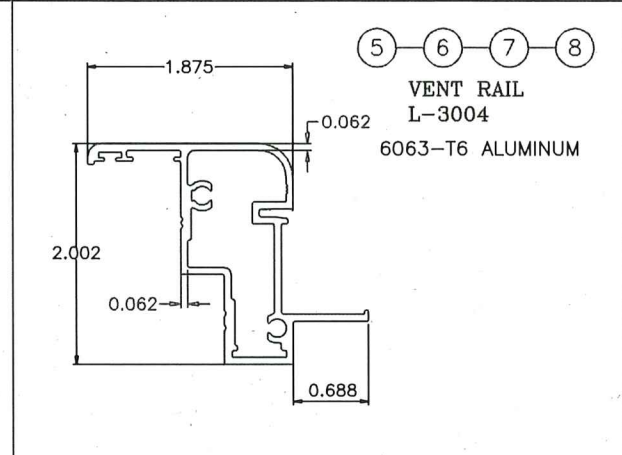
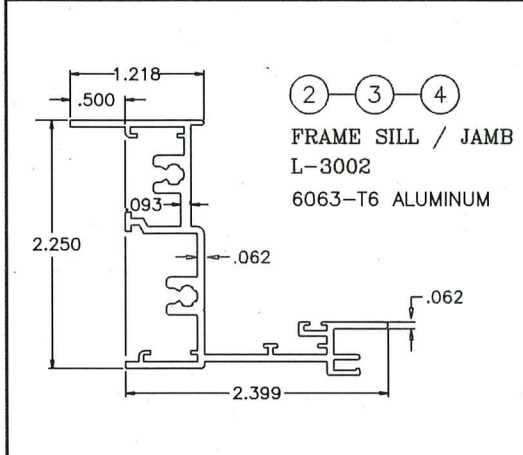
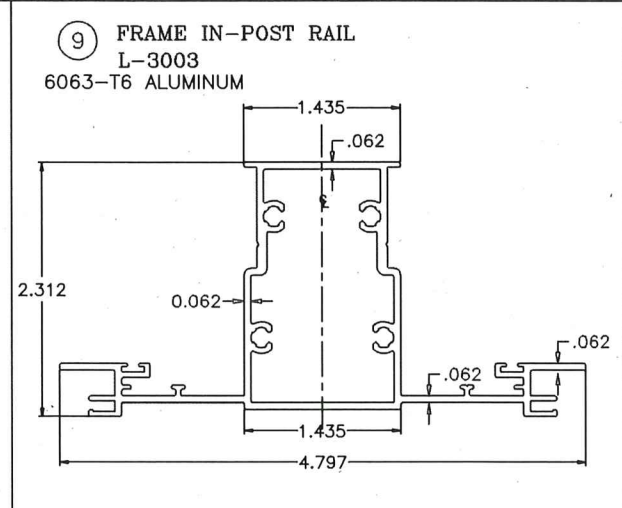
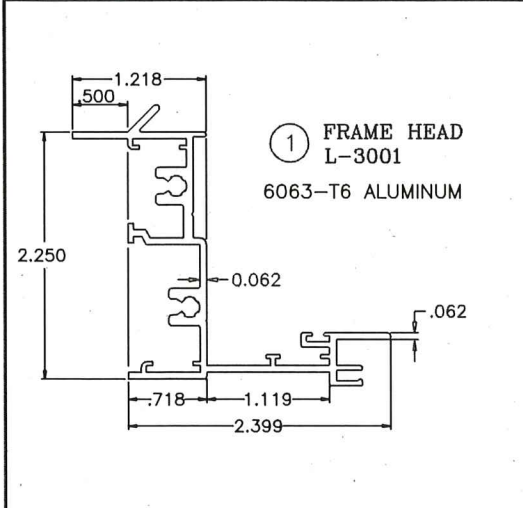
SHEET DESCRIPTION:
EXTRUSION DETAILS, VENT AND
FRAME CORNER ASSEMBLY
DETAILS, ATTACHMENT DETAIL

DRAWN BY: N. Erazo DATE: 12/18/2023

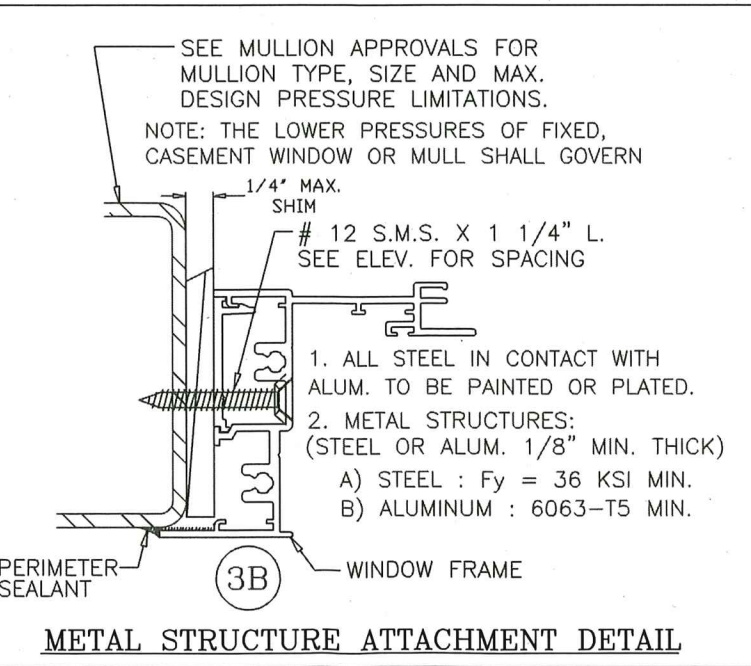
REV. BY: --- DATE: ---

DWG #: CWS-1221 REV #:

SCALE: --- SHEET 7 OF 7



FRAME & VENT CORNER ASSEMBLY DETAILS



PRODUCT REVISED
as complying with the Florida
Building Code
Acceptance No 24-0116.11
Expiration Date 03/09/2029
By *Hely A. Malin*
Miami Dade Product Control