

REVISIONS			
REV	DESCRIPTION	DATE	APPROVED

NOTES:

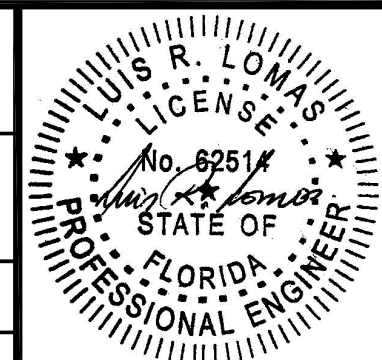
1. THE PRODUCT SHOWN HEREIN IS DESIGNED AND MANUFACTURED TO COMPLY WITH REQUIREMENTS OF THE FLORIDA BUILDING CODE INCLUDING THE HVHZ.
2. WOOD FRAMING AND MASONRY OPENING TO BE DESIGNED AND ANCHORED TO PROPERLY TRANSFER ALL LOADS TO STRUCTURE. FRAMING AND MASONRY OPENING IS THE RESPONSIBILITY OF THE ARCHITECT OR ENGINEER OF RECORD.
3. WHERE SHIM OR BUCK THICKNESS IS LESS THAN 1-1/2" WINDOW UNITS MUST BE ANCHORED THROUGH THE FRAME IN ACCORDANCE WITH MANUFACTURER'S PUBLISHED INSTALLATION INSTRUCTIONS. ANCHORS SHALL BE SECURELY FASTENED DIRECTLY INTO MASONRY, CONCRETE OR OTHER STRUCTURAL SUBSTRATE MATERIAL.
4. WHERE WOOD BUCK THICKNESS IS 1-1/2" OR GREATER, BUCK SHALL BE SECURELY FASTENED TO MASONRY, CONCRETE OR OTHER STRUCTURAL SUBSTRATE. WINDOW UNITS MAY BE ANCHORED THROUGH FRAME TO SECURED WOOD BUCK IN ACCORDANCE WITH MANUFACTURER'S PUBLISHED INSTALLATION INSTRUCTIONS.
5. WHERE 1X BUCK IS NOT USED DISSIMILAR MATERIALS MUST BE SEPARATED WITH APPROVED COATING OR MEMBRANE. SELECTION OF COATING OR MEMBRANE IS THE RESPONSIBILITY OF THE ARCHITECT OR ENGINEER OF RECORD.
6. BUCKS SHALL EXTEND BEYOND WINDOW INTERIOR FACE SO THAT FULL FRAME SUPPORT IS PROVIDED.
7. SHIM AS REQUIRED EACH ANCHOR LOCATION AT WITH LOAD BEARING SHIM. SHIM WHERE SPACE OF 1/16" OR GREATER OCCURS. MAXIMUM ALLOWABLE SHIM STACK TO BE 1/4".
8. SHIMS SHALL BE LOCATED, APPLIED AND MADE FROM MATERIALS CAPABLE OF SUSTAINING APPLICABLE LOADS.
9. WIND LOAD DURATION FACTOR Cd=1.6 WAS USED FOR WOOD ANCHOR CALCULATIONS.
10. FRAME MATERIAL: EXTRUDED RIGID PVC.
11. UNITS MUST BE GLAZED PER ASTM E1300, SEE SHEET 2 FOR GLASS DETAILS.
12. APPROVED IMPACT PROTECTIVE SYSTEM IS NOT REQUIRED FOR THIS PRODUCT IN WIND BORNE DEBRIS REGIONS.

13. FOR ANCHORING THROUGH FRAME INTO WOOD FRAMING OR 2X BUCK USE #10 WOOD SCREWS WITH SUFFICIENT LENGTH TO ACHIEVE A 1 1/4" MINIMUM EMBEDMENT INTO SUBSTRATE. LOCATE ANCHORS AS SHOWN IN ELEVATIONS AND INSTALLATION DETAILS.
14. FOR ANCHORING THROUGH FRAME INTO MASONRY/CONCRETE USE 3/16" OR 1/4" TAPCONS WITH SUFFICIENT LENGTH TO ACHIEVE A 1 1/4" MINIMUM EMBEDMENT INTO SUBSTRATE WITH 2" MINIMUM EDGE DISTANCE. LOCATE ANCHORS AS SHOWN IN ELEVATIONS AND INSTALLATION DETAILS.
15. FOR ANCHORING THROUGH FRAME INTO METAL STRUCTURE USE #10 SMS OR SELF DRILLING SCREWS WITH SUFFICIENT LENGTH TO ACHIEVE 3 THREADS MINIMUM BEYOND STRUCTURE INTERIOR WALL. LOCATE ANCHORS AS SHOWN IN ELEVATIONS AND INSTALLATION DETAILS.
16. ALL FASTENERS TO BE CORROSION RESISTANT.
17. INSTALLATION ANCHORS SHALL BE INSTALLED IN ACCORDANCE WITH ANCHOR MANUFACTURER'S INSTALLATION INSTRUCTIONS AND ANCHORS SHALL NOT BE USED IN SUBSTRATES WITH STRENGTHS LESS THAN THE MINIMUM STRENGTH SPECIFIED BELOW:
 - 17.1. WOOD - MINIMUM SPECIFIC GRAVITY OF G=0.42
 - 17.2. CONCRETE - MINIMUM COMPRESSIVE STRENGTH OF 3,192 PSI.
 - 17.3. MASONRY - STRENGTH CONFORMANCE TO ASTM C-90, GRADE N, TYPE 1 (OR GREATER).
 - 17.4. METAL STRUCTURE: STEEL 16GA, 33KSI OR ALUMINUM 6063-T5 1/8" THICK MINIMUM
18. GEOMETRIC SHAPES ARE ALSO APPROVED. APPROVED GEOMETRIC SHAPES DIMENSIONS SHALL NOT EXCEED INSCRIBED DIMENSIONS OF APPROVED RECTANGULAR ASSEMBLY SHOWN IN SHEET 2.

SIGNED: 04/04/2024

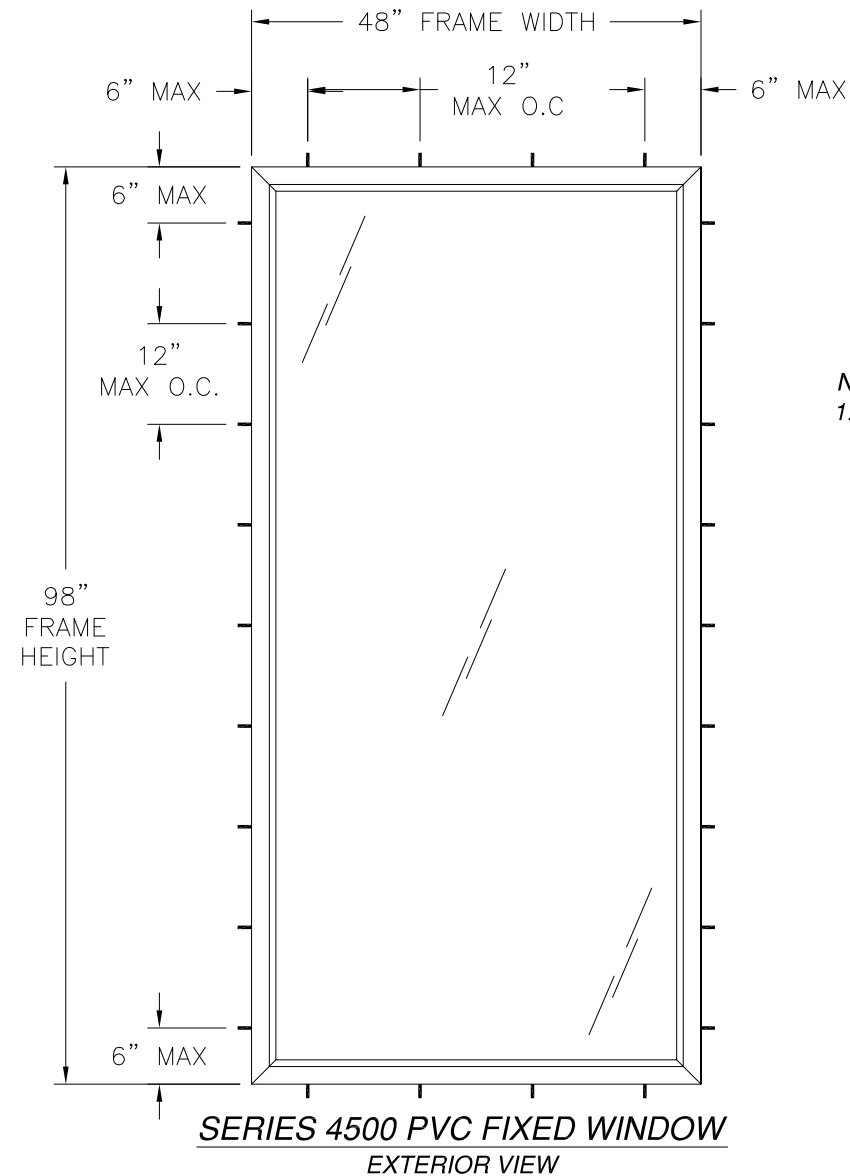
TABLE OF CONTENTS	
SHEET NO.	DESCRIPTION
1	NOTES
2	ELEVATIONS
3 - 8	INSTALLATION DETAILS
9	COMPONENTS

STERGIS WINDOWS AND DOORS 79 WALTON STREET ATTLEBORO, MA 02703		
SERIES 4500 PVC FIXED WINDOW IMPACT HVHZ NOTES		
DRAWN: A.R.	DWG NO. 08-03993	REV -
SCALE NTS	DATE 01/15/2024	SHEET 1 OF 9
L. ROBERTO LOMAS P.E. 208 7th Ave, INDIALANTIC, FL 32903 434-688-0609 rllomas@rlomaspe.com		

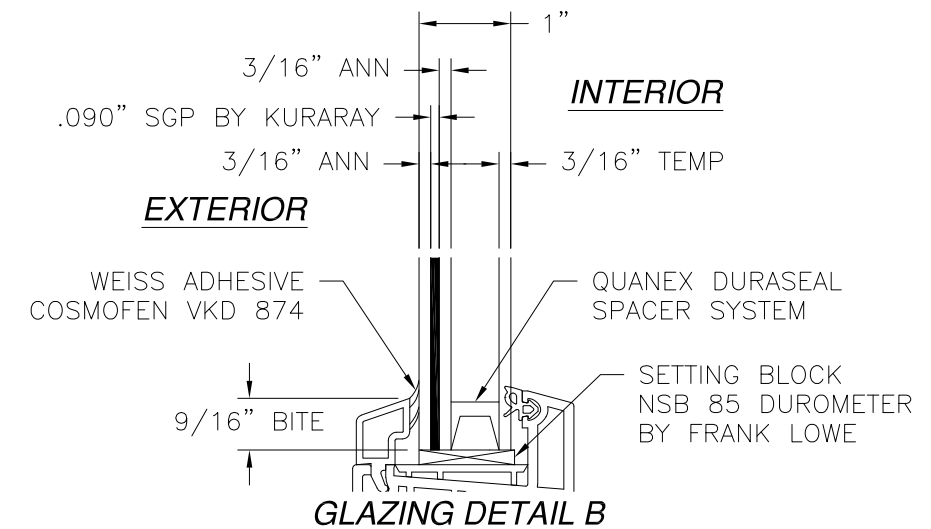
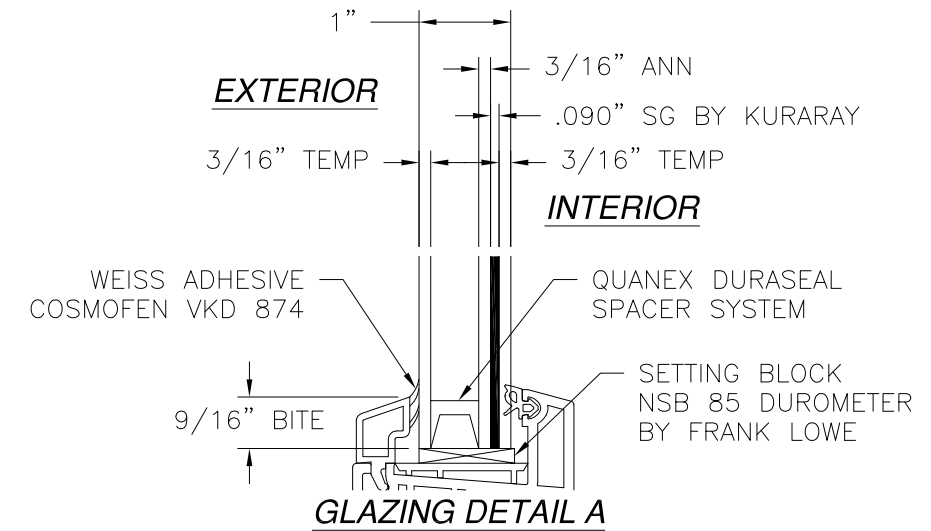


Luis R. Lomas P.E.
FL No.: 62514

REVISIONS			
REV	DESCRIPTION	DATE	APPROVED



NOTES:
1. D.L.O. SIZE: 42 1/2" X 93"



REINFORCED

DESIGN PRESSURE RATING	IMPACT RATING
±65.0PSF	LARGE AND SMALL MISSILE IMPACT

MISSILE LEVEL D, WIND ZONE 4 AND HVHZ
48" X 98" UNIT SHOWN. OTHER SIZES APPROVED AS LONG AS
FRAME AREA DOES NOT EXCEED 32.66 FT²

HARDWARE SCHEDULE

A. U-SHAPED STEEL REINFORCEMENT BAR (244506) AT FRAME MEMBERS

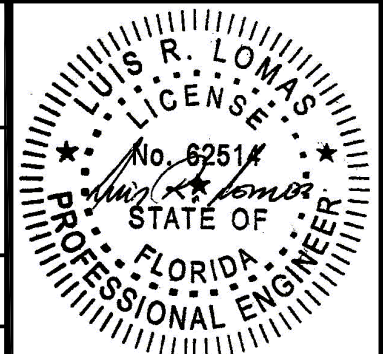
SIGNED: 04/04/2024

STERGIS WINDOWS AND DOORS
79 WALTON STREET
ATTLEBORO, MA 02703

SERIES 4500 PVC FIXED WINDOW
IMPACT HVHZ
ELEVATION AND GLAZING DETAILS

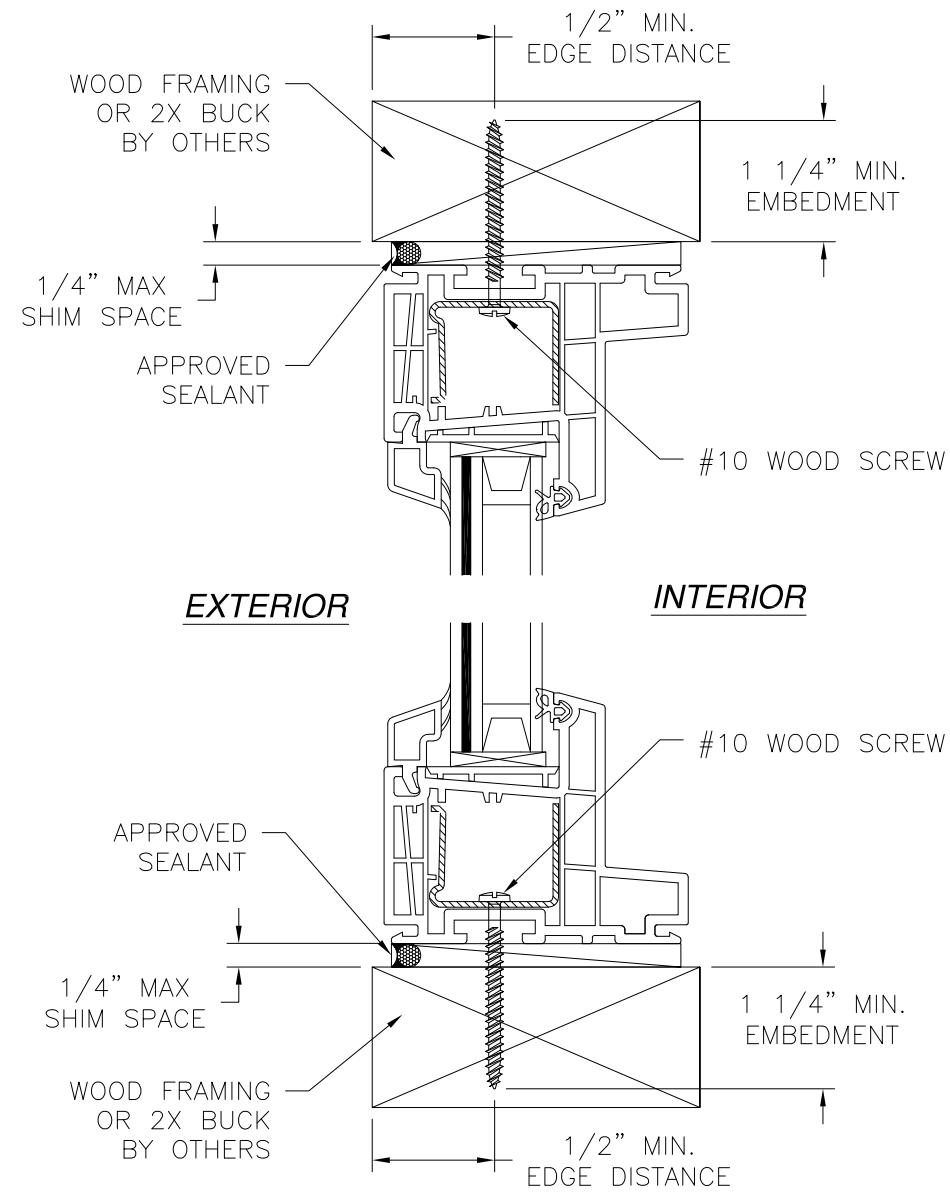
DRAWN: A.R.	DWG NO. 08-03993	REV -
SCALE NTS	DATE 01/15/2024	SHEET 2 OF 9

L. ROBERTO LOMAS P.E.
208 7th Ave, INDIALANTIC, FL 32903
434-688-0609 rllomas@rlomaspe.com

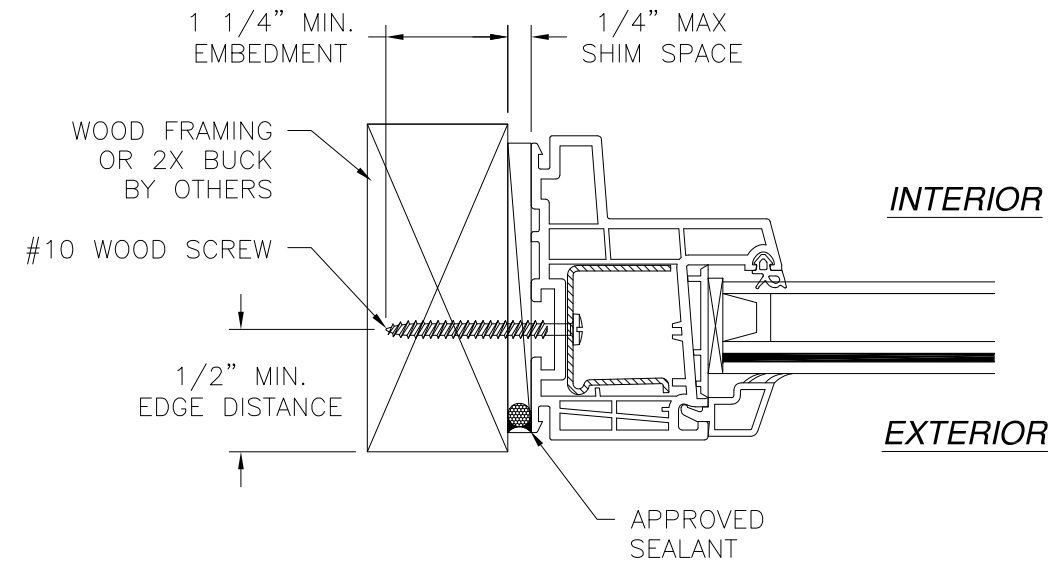


Luis R. Lomas P.E.
FL No.: 62514

REVISIONS			
REV	DESCRIPTION	DATE	APPROVED



VERTICAL CROSS SECTION
WOOD FRAMING OR 2X BUCK INSTALLATION

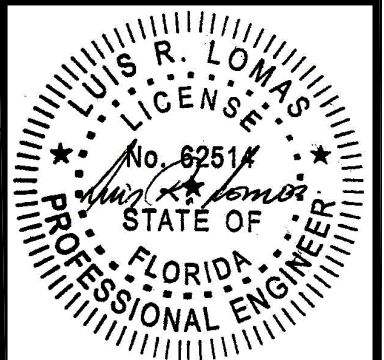


JAMB INSTALLATION DETAIL
WOOD FRAMING OR 2X BUCK INSTALLATION

NOTES:
1. INTERIOR AND EXTERIOR FINISHES, BY OTHERS, NOT SHOWN FOR CLARITY.
2. PERIMETER AND JOINT SEALANT BY OTHERS TO BE DESIGNED IN ACCORDANCE WITH ASTM E2112

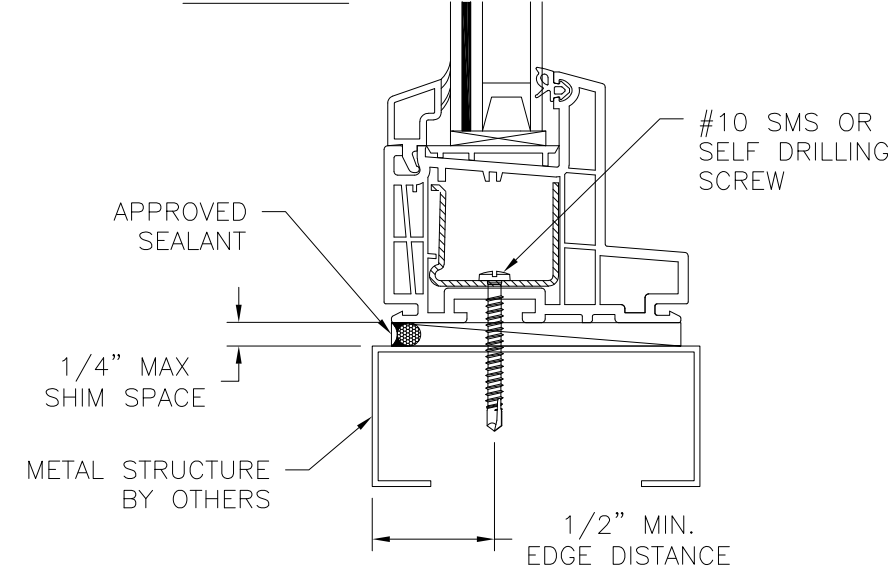
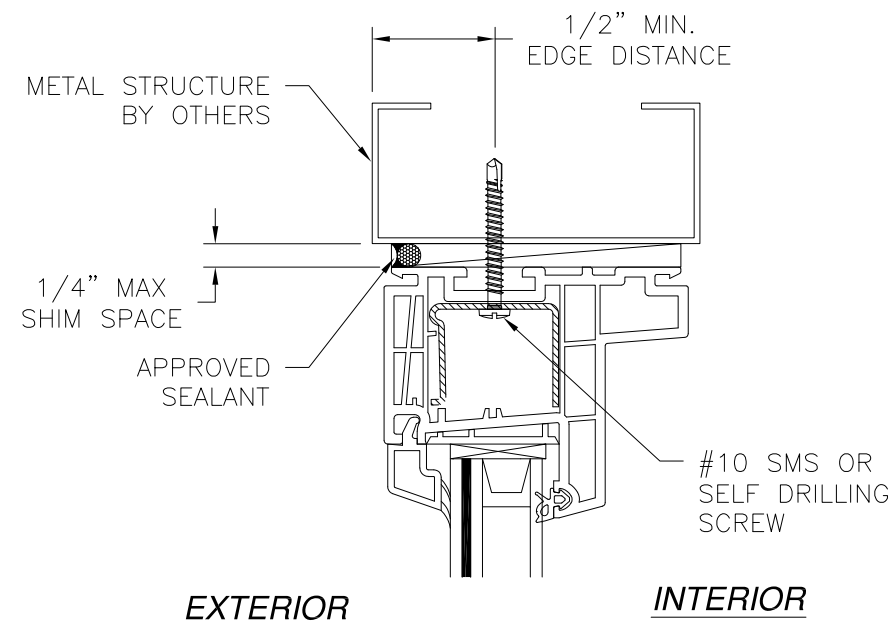
SIGNED: 04/04/2024

STERGIS WINDOWS AND DOORS 79 WALTON STREET ATTLEBORO, MA 02703		
SERIES 4500 PVC FIXED WINDOW IMPACT HVHZ INSTALLATION DETAILS		
DRAWN: A.R.	DWG NO. 08-03993	REV -
SCALE NTS	DATE 01/15/2024	SHEET 3 OF 9
L. ROBERTO LOMAS P.E. 208 7th Ave, INDIALANTIC, FL 32903 434-688-0609 rllomas@lrlomaspe.com		

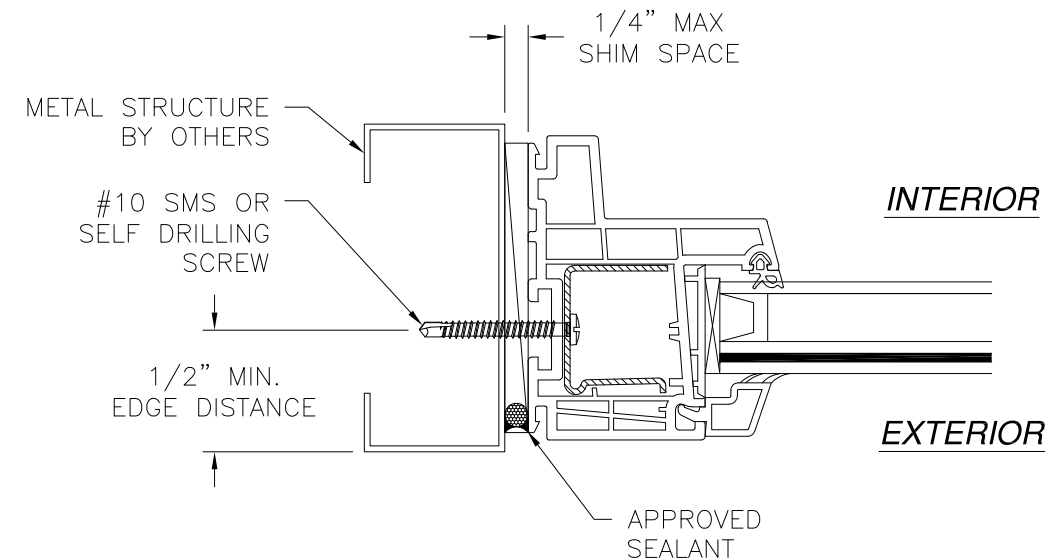


Luis R. Lomas P.E.
FL No.: 62514

REVISIONS			
REV	DESCRIPTION	DATE	APPROVED



VERTICAL CROSS SECTION
METAL STRUCTURE INSTALLATION



JAMB INSTALLATION DETAIL
METAL STRUCTURE INSTALLATION

NOTES:
 1. INTERIOR AND EXTERIOR FINISHES, BY OTHERS, NOT SHOWN FOR CLARITY.
 2. PERIMETER AND JOINT SEALANT BY OTHERS TO BE DESIGNED IN ACCORDANCE WITH ASTM E2112

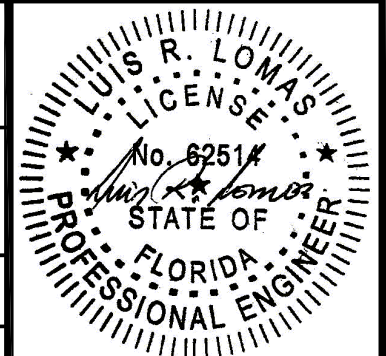
SIGNED: 04/04/2024

STERGIS WINDOWS AND DOORS
 79 WALTON STREET
 ATTLEBORO, MA 02703

SERIES 4500 PVC FIXED WINDOW
 IMPACT HVHZ
 INSTALLATION DETAILS

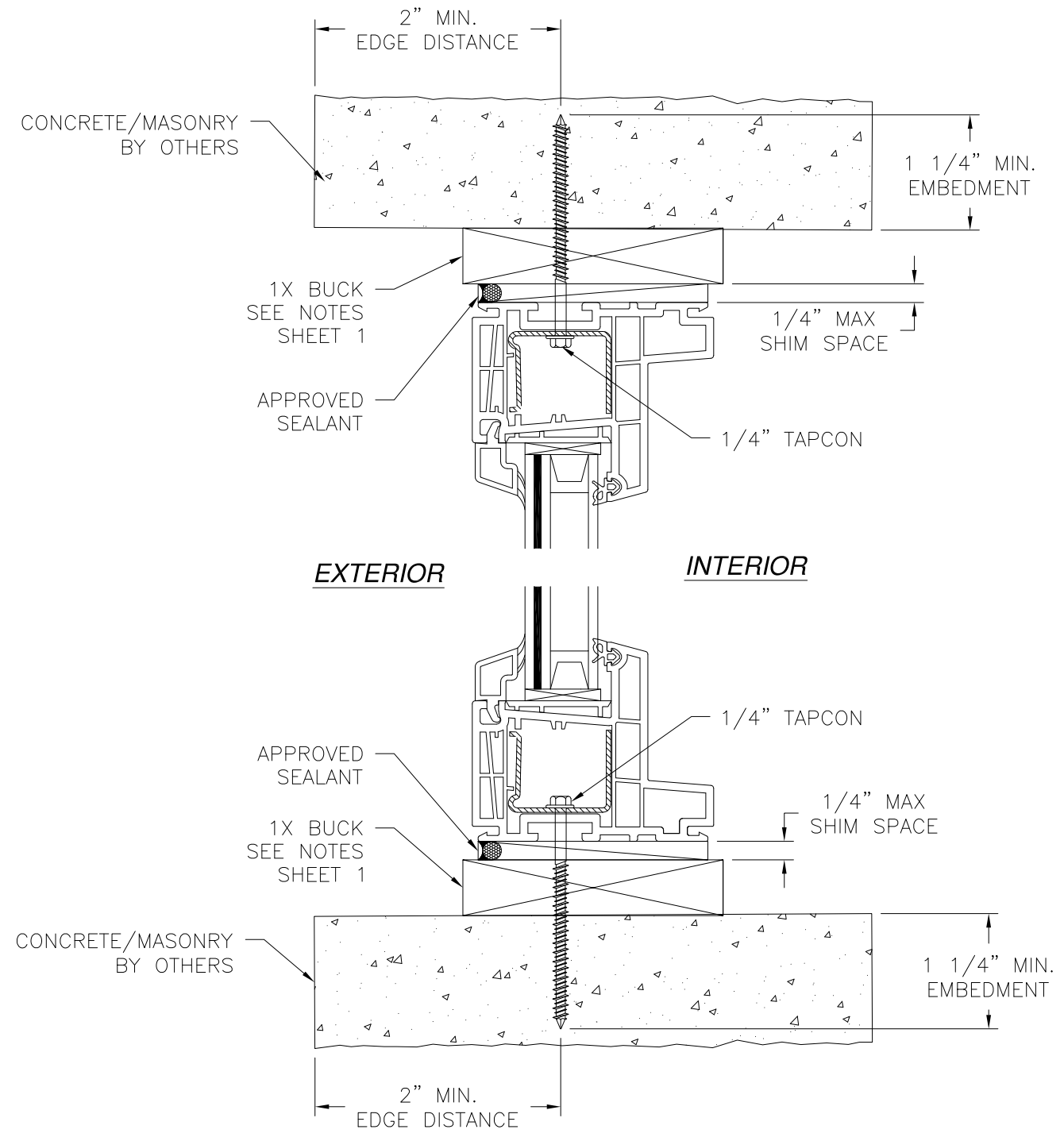
DRAWN: A.R.	DWG NO. 08-03993	REV -
SCALE NTS	DATE 01/15/2024	SHEET 4 OF 9

L. ROBERTO LOMAS P.E.
 208 7th Ave, INDIALANTIC, FL 32903
 434-688-0609 rllomas@lrlomaspe.com

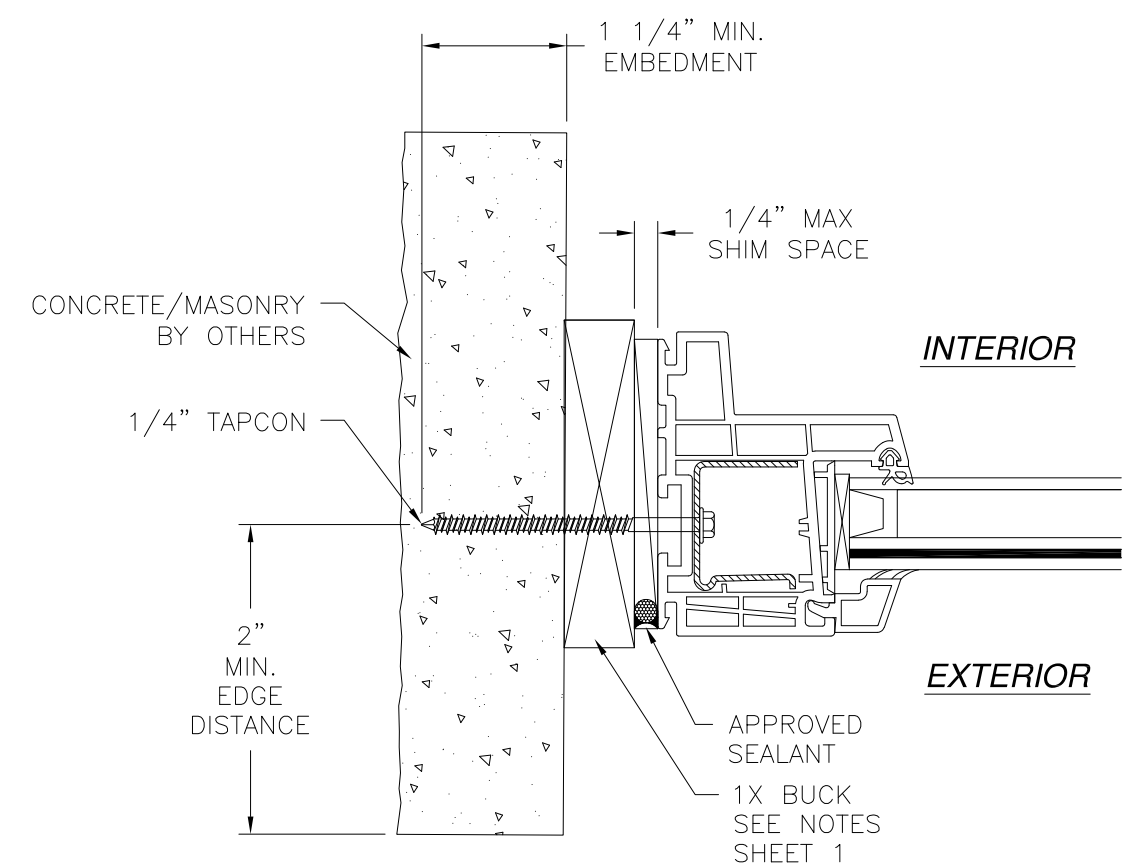


Luis R. Lomas P.E.
 FL No.: 62514

REVISIONS			
REV	DESCRIPTION	DATE	APPROVED



VERTICAL CROSS SECTION
CONCRETE/MASONRY W/1X BUCK INSTALLATION



JAMB CROSS SECTION
CONCRETE/MASONRY W/1X BUCK INSTALLATION

NOTES:
 1. INTERIOR AND EXTERIOR FINISHES, BY OTHERS, NOT SHOWN FOR CLARITY.
 2. PERIMETER AND JOINT SEALANT BY OTHERS TO BE DESIGNED IN ACCORDANCE WITH ASTM E2112

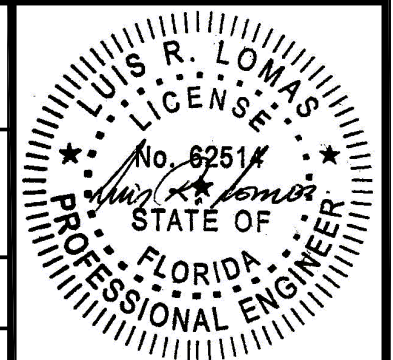
SIGNED: 04/04/2024

STERGIS WINDOWS AND DOORS
 79 WALTON STREET
 ATTLEBORO, MA 02703

SERIES 4500 PVC FIXED WINDOW
 IMPACT HVHZ
 INSTALLATION DETAILS

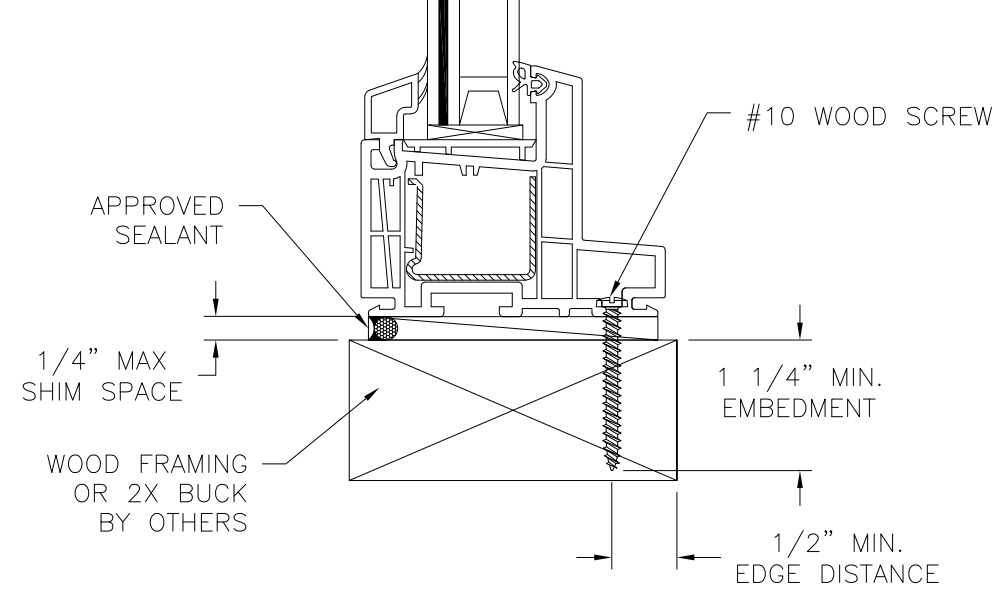
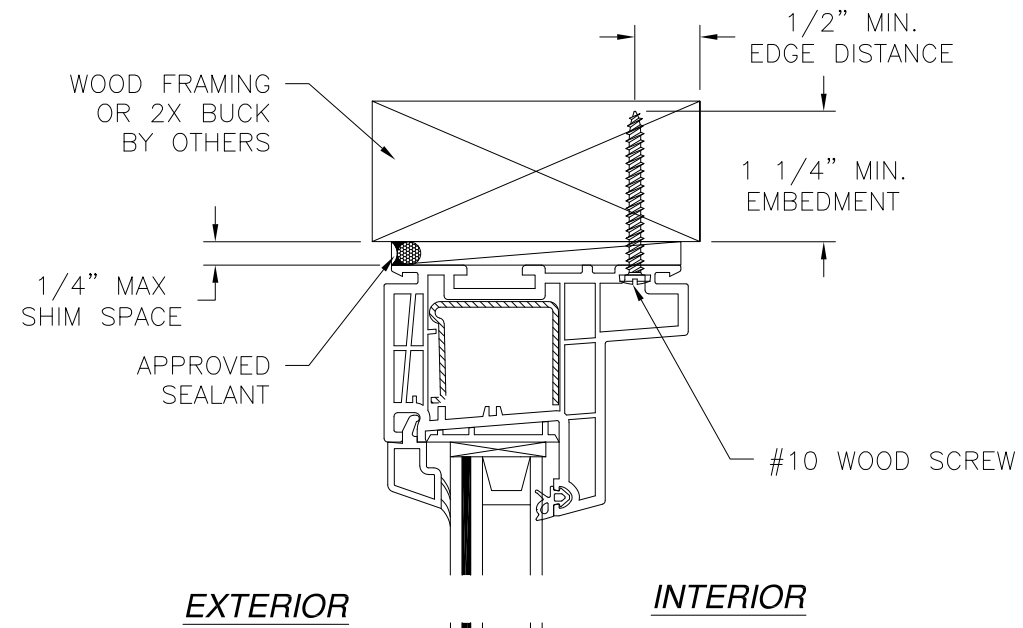
DRAWN: A.R.	DWG NO. 08-03993	REV -
SCALE NTS	DATE 01/15/2024	SHEET 5 OF 9

L. ROBERTO LOMAS P.E.
 208 7th Ave, INDIALANTIC, FL 32903
 434-688-0609 rllomas@rlomaspe.com

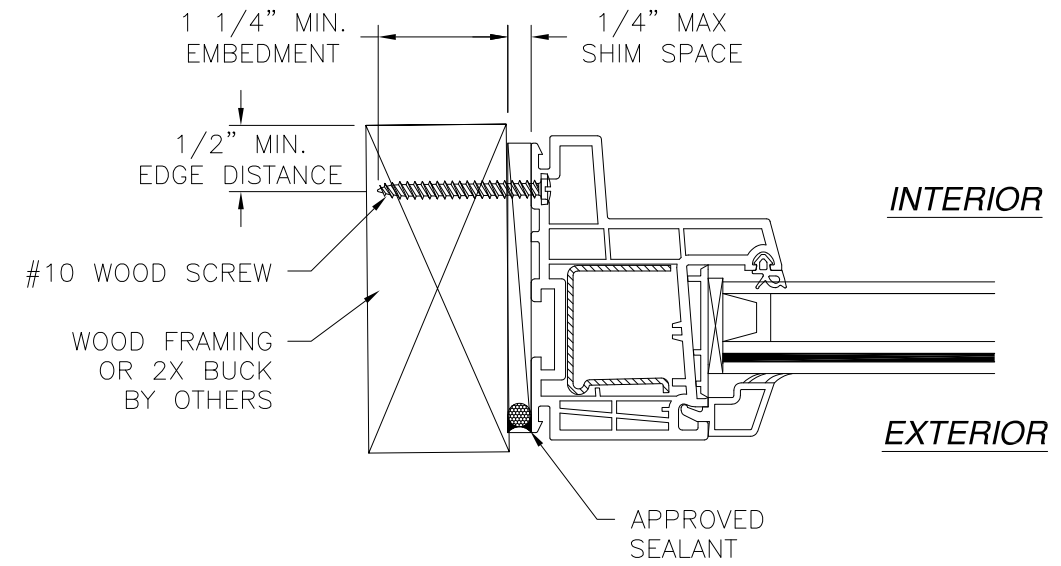


Luis R. Lomas P.E.
 FL No.: 62514

REVISIONS			
REV	DESCRIPTION	DATE	APPROVED



VERTICAL CROSS SECTION
WOOD FRAMING OR 2X BUCK INSTALLATION



JAMB INSTALLATION DETAIL
WOOD FRAMING OR 2X BUCK INSTALLATION

- NOTES:**
1. INTERIOR AND EXTERIOR FINISHES, BY OTHERS, NOT SHOWN FOR CLARITY.
 2. PERIMETER AND JOINT SEALANT BY OTHERS TO BE DESIGNED IN ACCORDANCE WITH ASTM E2112

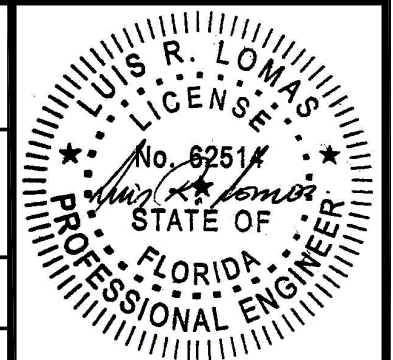
SIGNED: 04/04/2024

STERGIS WINDOWS AND DOORS
79 WALTON STREET
ATTLEBORO, MA 02703

SERIES 4500 PVC FIXED WINDOW
IMPACT HVHZ
INSTALLATION DETAILS

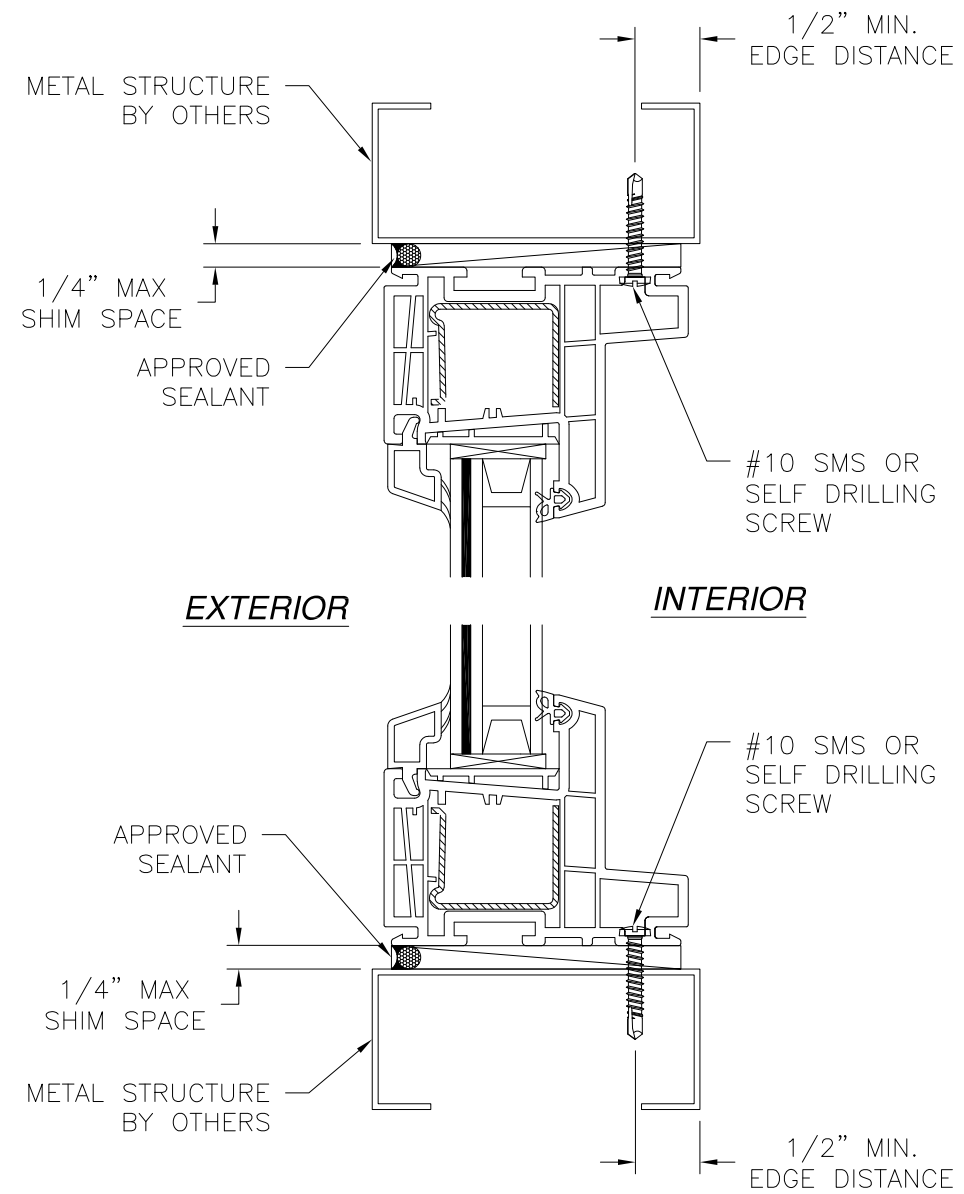
DRAWN: A.R.	DWG NO. 08-03993	REV -
SCALE NTS	DATE 01/15/2024	SHEET 7 OF 9

L. ROBERTO LOMAS P.E.
208 7th Ave, INDIALANTIC, FL 32903
434-688-0609 rllomas@lrlomaspe.com

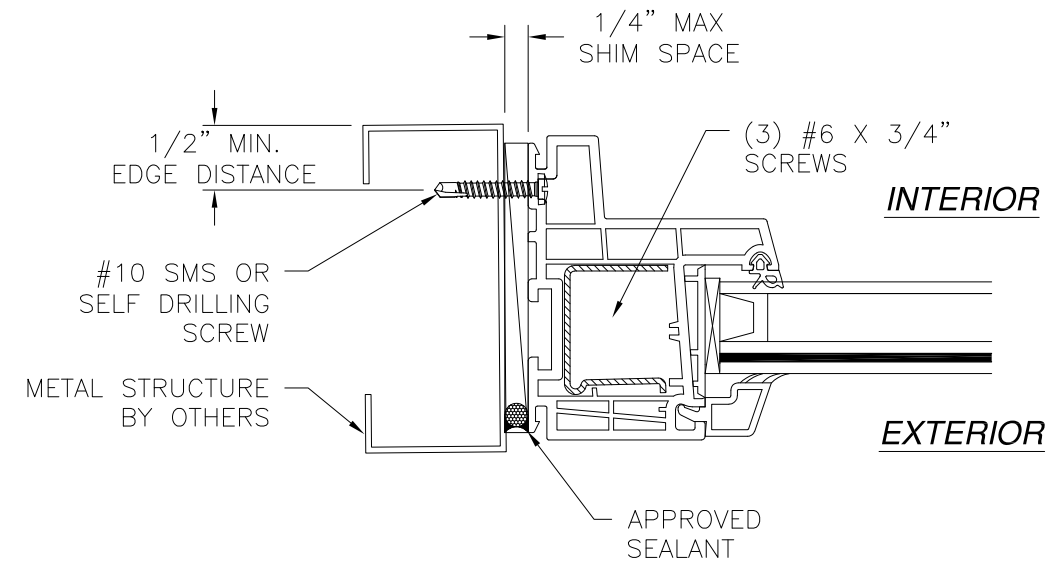


Luis R. Lomas P.E.
FL No.: 62514

REVISIONS			
REV	DESCRIPTION	DATE	APPROVED



VERTICAL CROSS SECTION
METAL STRUCTURE INSTALLATION



JAMB INSTALLATION DETAIL
METAL STRUCTURE INSTALLATION

NOTES:
 1. INTERIOR AND EXTERIOR FINISHES, BY OTHERS, NOT SHOWN FOR CLARITY.
 2. PERIMETER AND JOINT SEALANT BY OTHERS TO BE DESIGNED IN ACCORDANCE WITH ASTM E2112

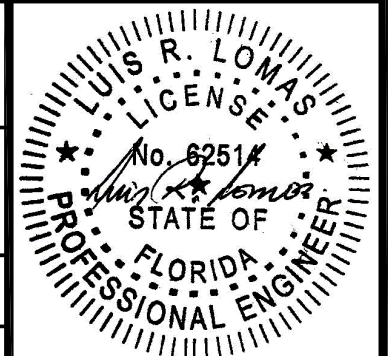
SIGNED: 04/04/2024

STERGIS WINDOWS AND DOORS
 79 WALTON STREET
 ATTLEBORO, MA 02703

SERIES 4500 PVC FIXED WINDOW
 IMPACT HVHZ
 INSTALLATION DETAILS

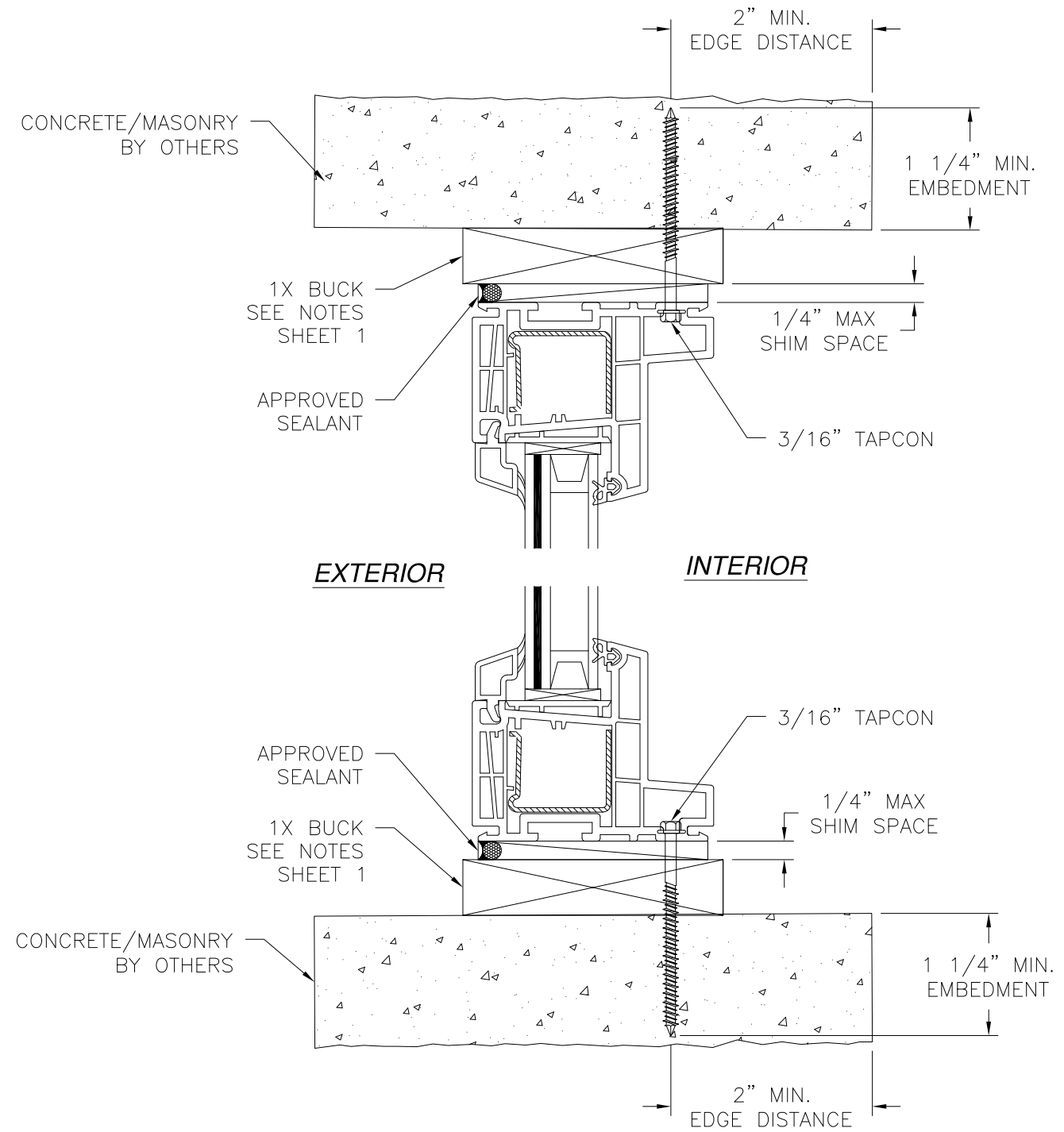
DRAWN: A.R.	DWG NO. 08-03993	REV -
SCALE NTS	DATE 01/15/2024	SHEET 8 OF 9

L. ROBERTO LOMAS P.E.
 208 7th Ave, INDIALANTIC, FL 32903
 434-688-0609 rllomas@lrlomaspe.com

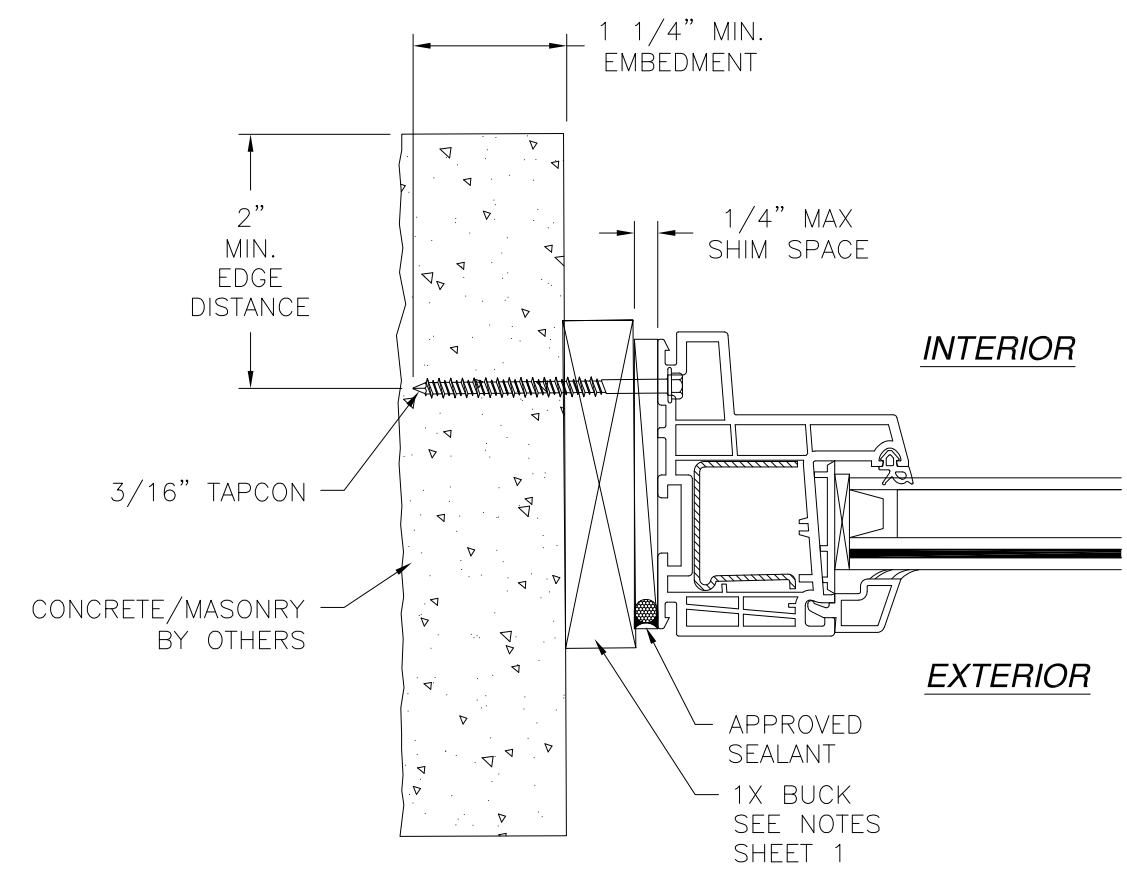


Luis R. Lomas P.E.
 FL No.: 62514

REVISIONS			
REV	DESCRIPTION	DATE	APPROVED



VERTICAL CROSS SECTION
CONCRETE/MASONRY W/1X BUCK INSTALLATION



JAMB INSTALLATION DETAIL
CONCRETE/MASONRY W/1X BUCK INSTALLATION

- NOTES:**
1. INTERIOR AND EXTERIOR FINISHES, BY OTHERS, NOT SHOWN FOR CLARITY.
 2. PERIMETER AND JOINT SEALANT BY OTHERS TO BE DESIGNED IN ACCORDANCE WITH ASTM E2112

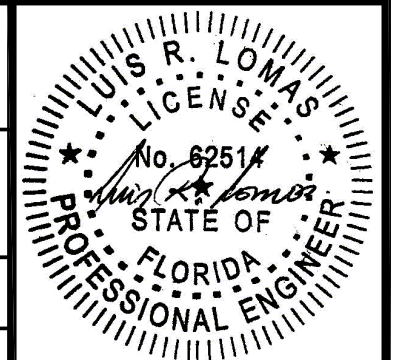
SIGNED: 04/04/2024

STERGIS WINDOWS AND DOORS
79 WALTON STREET
ATTLEBORO, MA 02703

SERIES 4500 PVC FIXED WINDOW
IMPACT HVHZ
INSTALLATION DETAILS

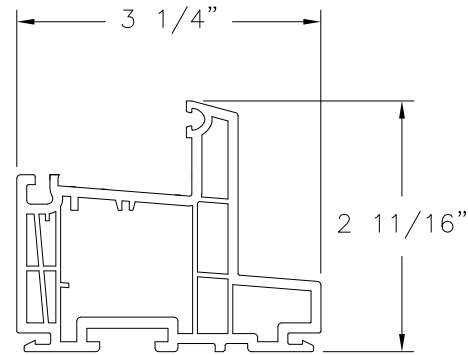
DRAWN: A.R.	DWG NO. 08-03993	REV -
SCALE NTS	DATE 01/15/2024	SHEET 9 OF 9

L. ROBERTO LOMAS P.E.
208 7th Ave, INDIALANTIC, FL 32903
434-688-0609 rllomas@rlomaspe.com

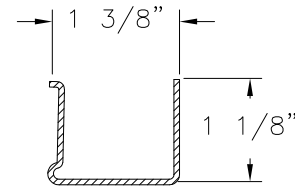


Luis R. Lomas P.E.
FL No.: 62514

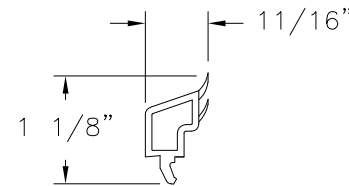
REVISIONS			
REV	DESCRIPTION	DATE	APPROVED



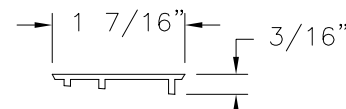
FRAME (601205)
RIGID PVC



REINFORCEMENT (244506)
STEEL .080" THICK



GLAZING STOP (560600)
RIGID PVC



SLOPED GLAZING (541220)
RIGID PVC

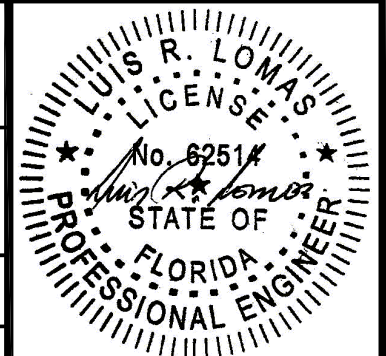
SIGNED: 04/04/2024

STERGIS WINDOWS AND DOORS
79 WALTON STREET
ATTLEBORO, MA 02703

SERIES 4500 PVC FIXED WINDOW
IMPACT HVHZ
COMPONENTS

DRAWN: A.R.	DWG NO. 08-03993	REV -
SCALE NTS	DATE 01/15/2024	SHEET 11 OF 9

L. ROBERTO LOMAS P.E.
208 7th Ave, INDIALANTIC, FL 32903
434-688-0609 rllomas@lrlomaspe.com



Luis R. Lomas P.E.
FL No.: 62514