

**SERIES 640 NON-IMPACT RESISTANT,
FIXED CASEMENT WINDOW WITH
FLANGE OR NAILING FIN FRAME**

FLORIDA PRODUCT APPROVAL #5012

1) THIS PRODUCT HAS BEEN DESIGNED & TESTED TO COMPLY WITH THE REQUIREMENTS OF THE CURRENT FLORIDA BUILDING CODE.

2) SHUTTERS ARE REQUIRED WHEN USED IN WIND-BORNE DEBRIS REGIONS.

3) MASONRY ANCHORS MAY BE USED INTO WOOD AS PER TABLES 2 & 3. ALL WOOD BUCKS LESS THAN 1-1/2" THICK ARE TO BE CONSIDERED 1X INSTALLATIONS. 1X WOOD BUCKS ARE OPTIONAL IF UNIT IS INSTALLED DIRECTLY TO SUBSTRATE. WOOD BUCKS DEPICTED AS 2X ARE 1-1/2" THICK OR GREATER. 1X AND 2X BUCKS (WHEN USED) SHALL BE DESIGNED TO PROPERLY TRANSFER LOADS TO THE STRUCTURE. WOOD BUCK DESIGN AND INSTALLATION IS THE RESPONSIBILITY OF THE ENGINEER OR ARCHITECT OF RECORD.

4) ANCHOR EMBEDMENT TO BASE MATERIAL SHALL BE BEYOND WALL DRESSING OR STUCCO. USE ANCHORS OF SUFFICIENT LENGTH. ANCHORS AND FRAME CORNERS SHOULD BE SEALED. OVERALL SEALING/FLASHING STRATEGY FOR WATER RESISTANCE OF INSTALLATION SHALL BE DONE BY OTHERS AND IS BEYOND THE SCOPE OF THESE INSTRUCTIONS.

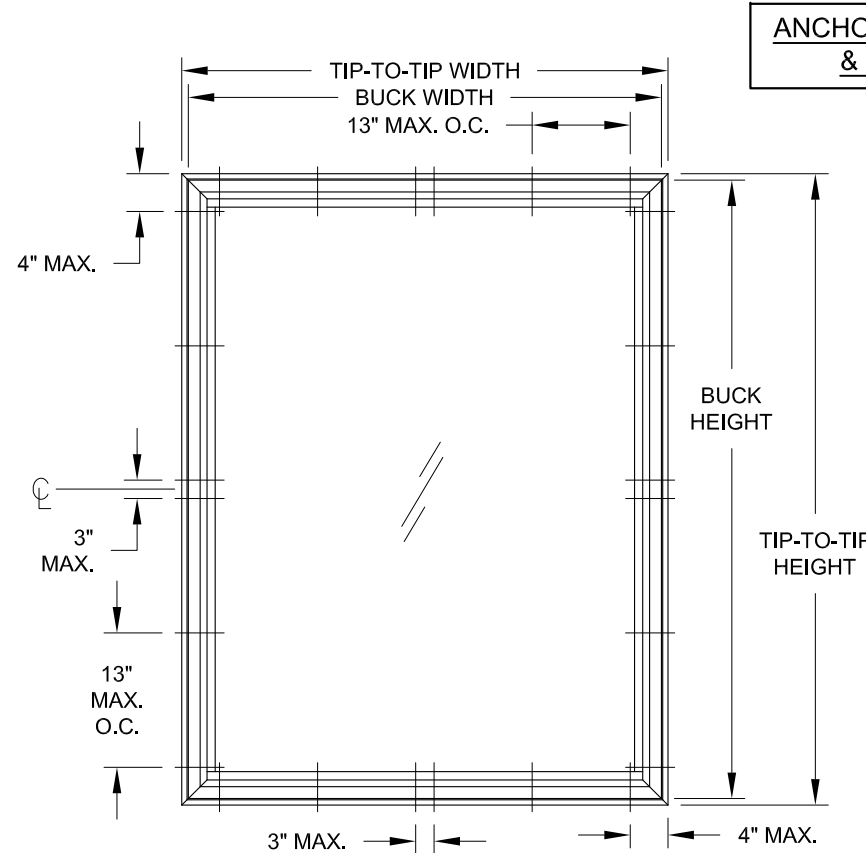
5) SHIMS ARE REQUIRED AT EACH ANCHOR LOCATION WHERE THE PRODUCT IS NOT FLUSH TO THE SUBSTRATE. USE SHIMS CAPABLE OF TRANSFERRING APPLIED LOADS. WOOD BUCKS, BY OTHERS, MUST BE SUFFICIENTLY ANCHORED TO RESIST LOADS IMPOSED ON THEM BY THE WINDOW.

6) THE ANCHORAGE METHODS SHOWN HAVE BEEN DESIGNED TO RESIST THE WIND LOADS CORRESPONDING TO THE REQUIRED DESIGN PRESSURE. THE 33-1/3% STRESS INCREASE HAS NOT BEEN USED IN THE DESIGN OF THIS PRODUCT. THE 1.6 LOAD DURATION FACTOR WAS USED FOR THE EVALUATION OF ANCHORS INTO WOOD. ANCHORS THAT COME INTO CONTACT WITH OTHER DISSIMILAR MATERIALS SHALL MEET THE REQUIREMENTS OF THE FLORIDA BUILDING CODE FOR CORROSION RESISTANCE.

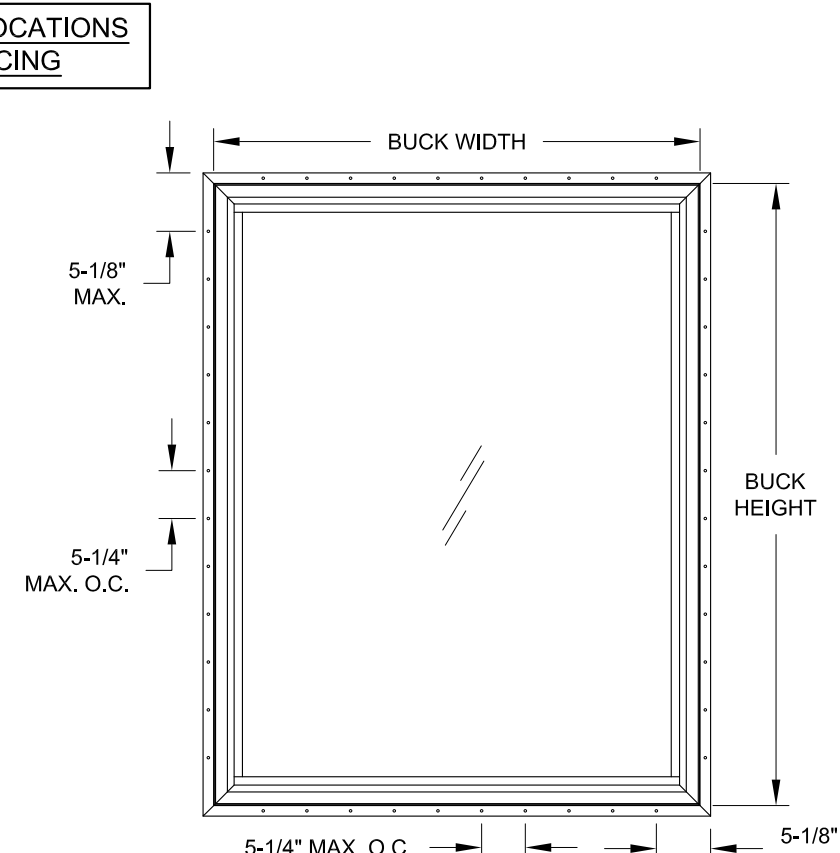
TABLE 1: DESIGN PRESSURE

Window Buck Size		Design Pressure		Product Rating
Width	Height	(+) psf	(-) psf	
75"	62"	60	60	FW-R60

NOT ALL GLASS OPTIONS ARE AVAILABLE AT THE MAXIMUM WINDOW SIZE.



FLANGE/EQUEL-LEG FRAME



FLANGE FRAME WITH ADD-ON FIN

TABLE 2: ANCHORS FOR FLANGE WINDOWS

Anchor	Substrate	Min. Edge Distance	Min. Embedment
#12 Steel Screw (G5)	P.T. Southern Pine (SG = .55)	9/16"	1-3/8"
	Aluminum, 6063-T5 min.	3/8"	0.0713" (14 Ga.)
	Steel Stud, Gr. 33 min.	3/8"	0.0346" (20 Ga.)
	A36 Steel	3/8"	1/16"
1/4" 410 SS CreteFlex	P.T. Southern Pine (SG = .55)	1"	1-3/8"
	Concrete (min. 3.35 ksi)	1"	1-3/4"
	UngROUTED CMU, (ASTM C-90)	2-1/2"	1-1/4"
1/4" Steel Ultracon or Ultracon+	P.T. Southern Pine (SG = .55)	1"	1-3/8"
	Concrete (min. 2.7 ksi)	1"	1-3/4"
	UngROUTED CMU, (ASTM C-90)	2-1/2"	1-1/4"

- 1) ANCHOR MUST EXTEND A MINIMUM OF 3 THREADS BEYOND ANY METAL SUBSTRATE.
- 2) "UNGROUTED CMU" VALUES MAY BE USED FOR GROUTED CMU APPLICATIONS.
- 3) ALL ANCHOR HEAD TYPES ARE APPLICABLE.

TABLE 3: ANCHORS FOR FIN WINDOWS

Anchor	Substrate	Min. Edge Distance	Min. Embedment
2-1/2" x .113" Box Nail	P.T. Southern Pine (SG = .55)	5/16"	2-7/16"
2-1/2" x .131" Common Nail	P.T. Southern Pine (SG = .55)	3/8"	2-7/16"
2-1/2" x .145" Roofing Nail	P.T. Southern Pine (SG = .55)	3/8"	2-7/16"
#10 Steel SMS	P.T. Southern Pine (SG = .55)	1/2"	1-3/8"
	Aluminum, 6063-T5 min.	3/8"	1/8"
	Steel Stud, Gr. 33 min.	3/8"	0.036"
	A36 Steel	3/8"	1/8"

- 1) ANCHOR MUST EXTEND A MINIMUM OF 3 THREADS BEYOND ANY METAL SUBSTRATE.
- 2) ALL ANCHOR HEAD TYPES ARE APPLICABLE.

DESIGN PRESSURE RATING
SEE TABLE 1

IMPACT RATING
NOT RATED FOR IMPACT RESISTANCE

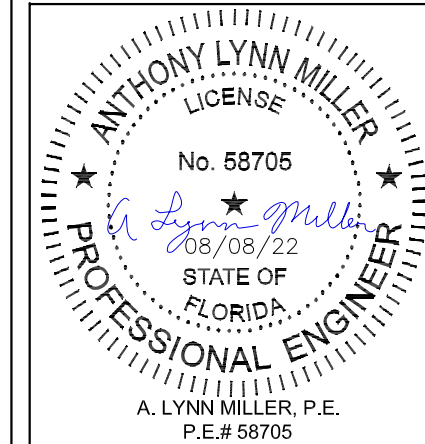
Rev. # 08/01/22
Date
Method
UPDATED CERT. METHOD

PREPARED BY A. LYNN MILLER
1070 TECHNOLOGY DRIVE
N. VENICE, FL 34275
(941) 480-1600

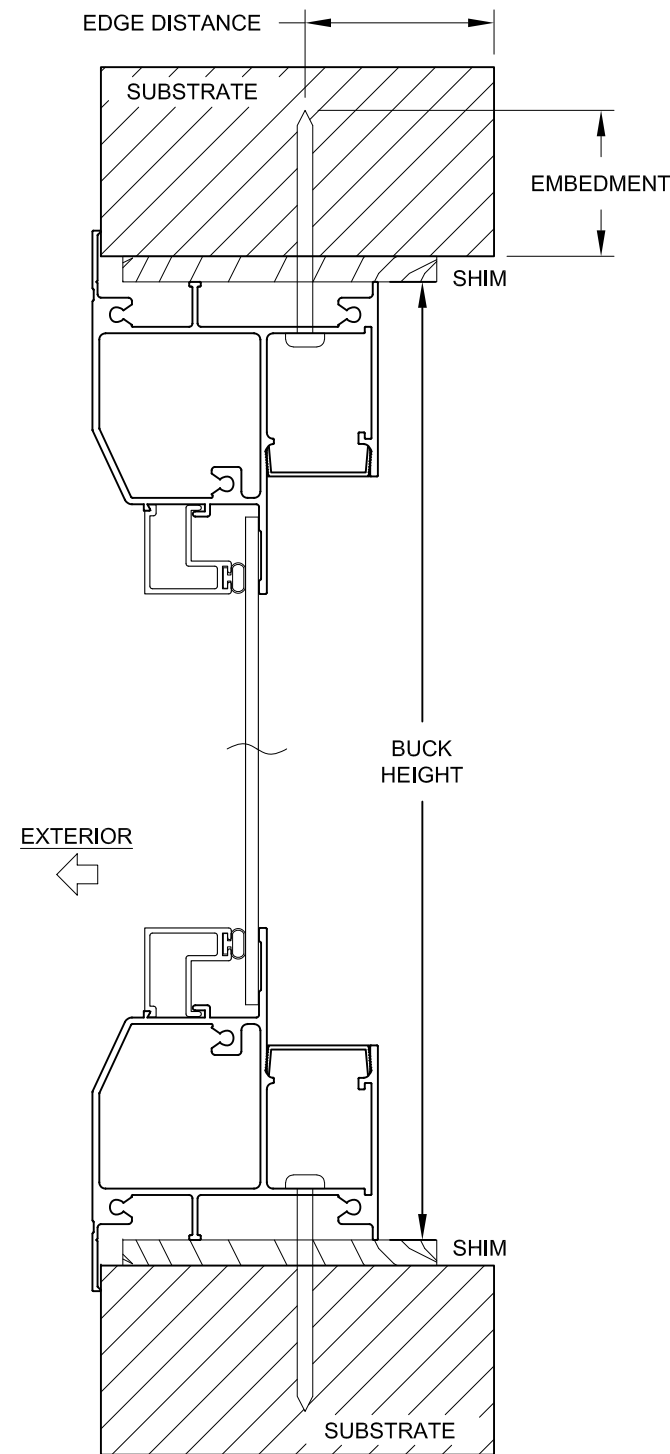
REGISTRATION #29296
COPYRIGHT © 2022 PGT, INC., LIMITED LICENSE
TO MAKE COPIES FOR PERMITTING.

1070 TECHNOLOGY DRIVE
N. VENICE, FL 34275
(941) 480-1600

ALUMINUM FIXED CASEMENT WINDOW (NI)
Date: 06/12/11
By: JENS ROSOWSKI
Desc: ELEVATION & GENERAL NOTES
Sheet: 1 OF 3
DWG No.: FCA640FPA-NI
Series: FCA640A

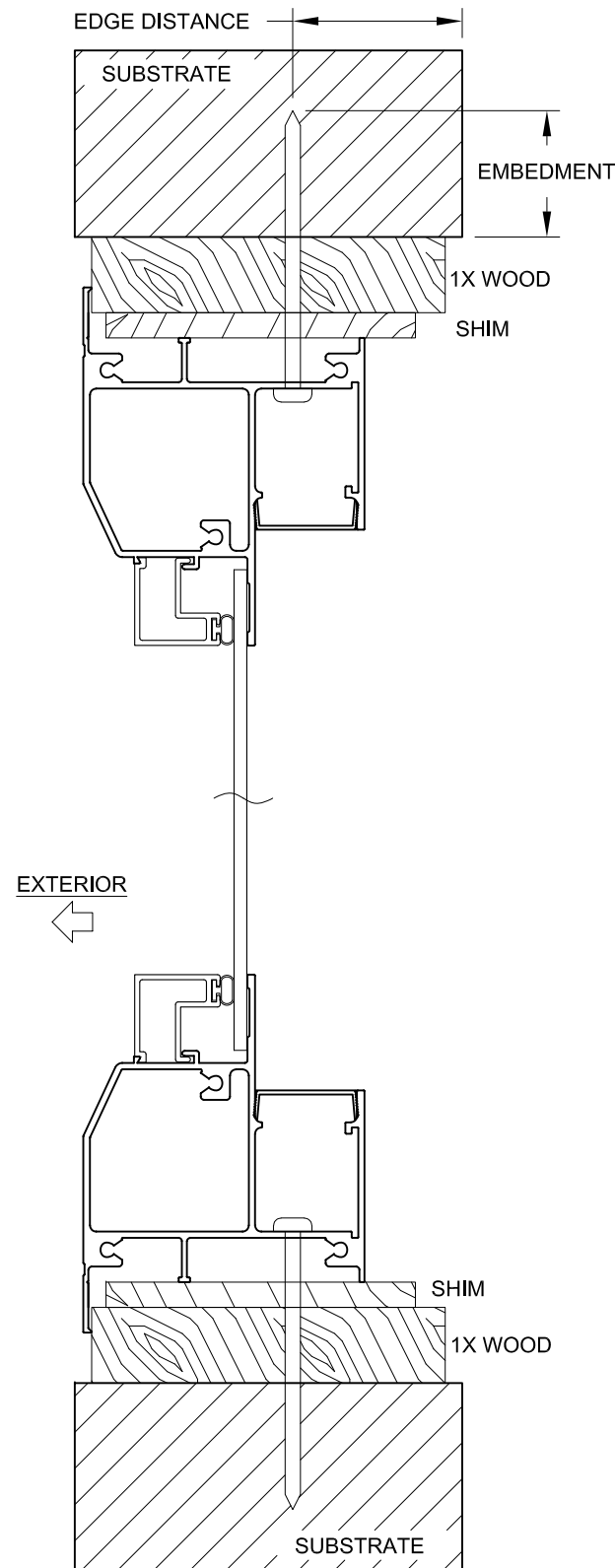


**FLANGE FRAME,
HEAD INSTALLATION
(DIRECTLY TO SUBSTRATE)**

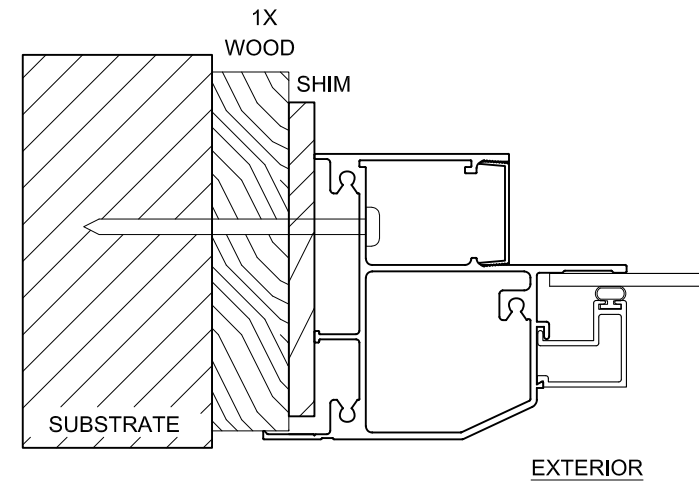


**FLANGE FRAME,
SILL INSTALLATION
(DIRECTLY TO SUBSTRATE)**

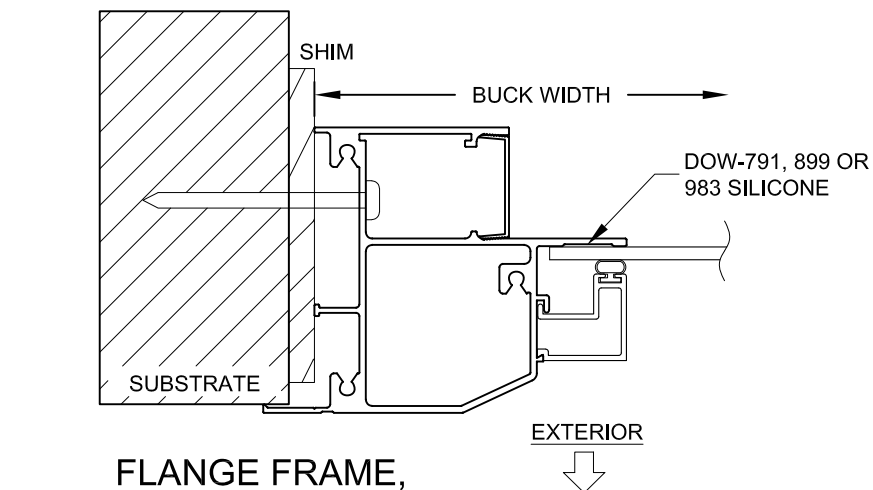
**FLANGE FRAME,
HEAD INSTALLATION
(USING 1X BUCKSTRIP)**



**FLANGE FRAME,
SILL INSTALLATION
(USING 1X BUCKSTRIP)**



**FLANGE FRAME,
JAMB INSTALLATION
(USING 1X BUCKSTRIP)**

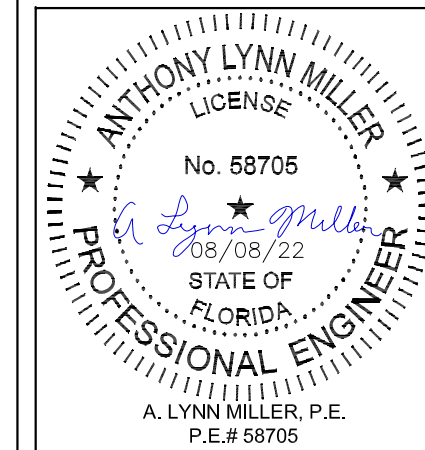


**FLANGE FRAME,
JAMB INSTALLATION
(DIRECTLY TO SUBSTRATE)**

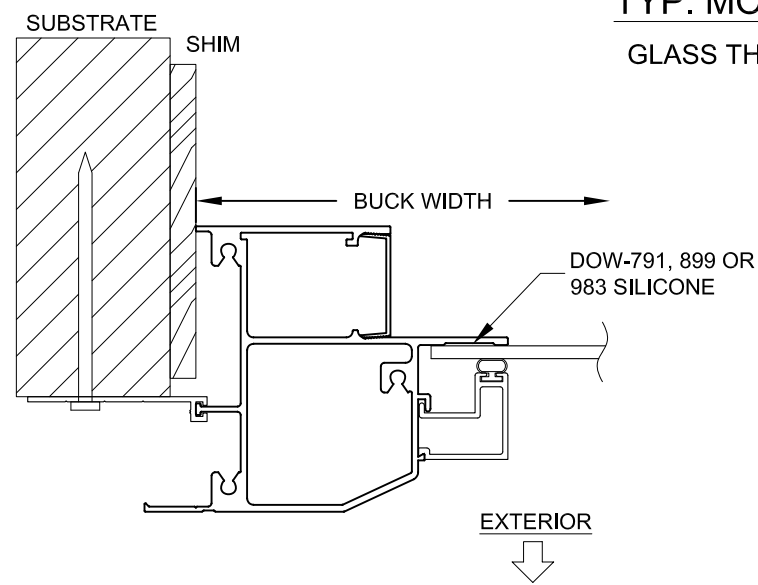
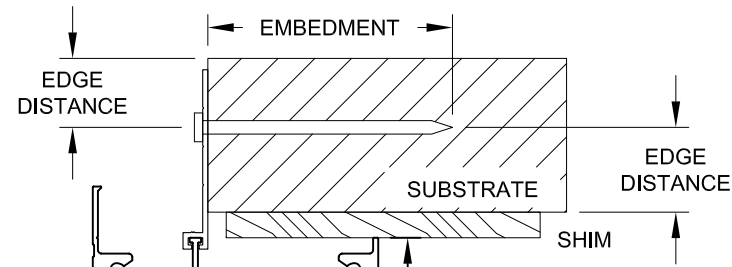
INSTALLATION NOTES:

- 1) SEE SHEET 1 FOR SPACING REQUIREMENTS.
- 2) SEE TABLE(S) ON SHEET 1 FOR ANCHORAGE AND SUBSTRATE REQUIREMENTS.
- 3) MAX. SHIM THICKNESS TO BE 1/4".
- 4) GLASS SHOWN IS FOR ILLUSTRATIVE PURPOSES ONLY AND MAY DIFFER TO MEET DESIGN REQUIREMENTS.
- 5) FLANGE MAY BE REMOVED FOR EQUAL-LEG FRAME APPLICATIONS, USE FLANGE INSTRUCTIONS.

PREPARED BY A. LYNN MILLER 1070 TECHNOLOGY DRIVE N. VENICE, FL 34275 (941) 480-1600		REGISTRATION #29296 COPYRIGHT © 2022 PGT, INC., LIMITED LICENSE TO MAKE COPIES FOR PERMITTING.	Date 06/12/11
1070 TECHNOLOGY DRIVE N. VENICE, FL 34275 (941) 480-1600		Drawn By JENS ROSOWSKI	No. FCA640FPA-NI
ALUMINUM FIXED CASEMENT WINDOW (NI)		Sheet 2 OF 3	Title FLANGE/EQUAL LEG FRAME INSTALLATION DETAILS
Series FCA640A	Desc. 2 OF 3	DWG 2 OF 3	No. FCA640FPA-NI



**FLANGE FRAME WITH ADD-ON FIN,
HEAD INSTALLATION**

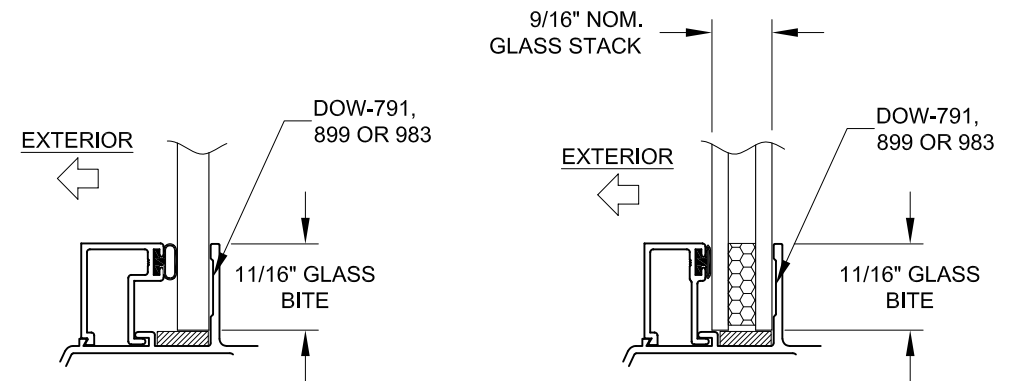
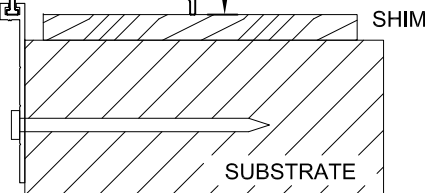


**FLANGE FRAME WITH ADD-ON FIN,
JAMB INSTALLATION**

BUCK HEIGHT

EXTERIOR

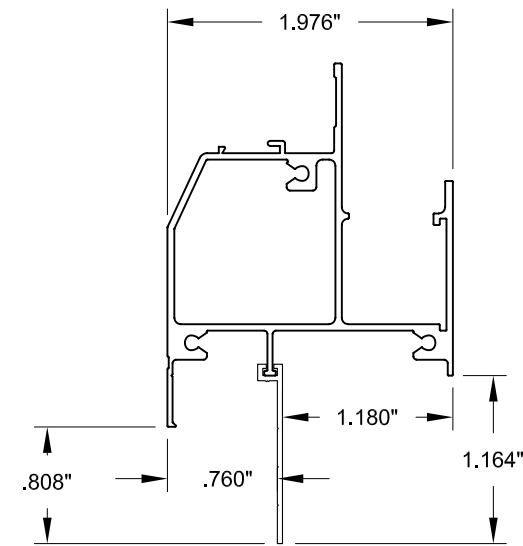
**FLANGE FRAME WITH ADD-ON FIN,
SILL INSTALLATION**



TYP. MONOLITHIC GLAZING

TYP. INSULATED GLAZING

GLASS THICKNESS AND TYPE VARIES DEPENDING ON SIZE/DP REQUIREMENTS.

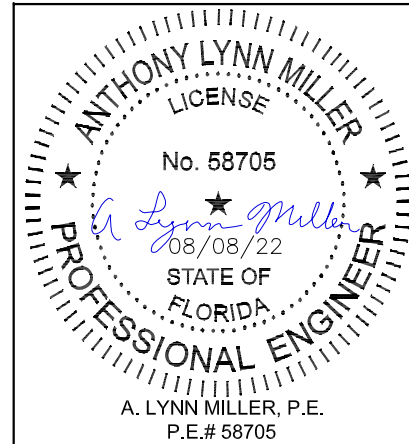


INSTALLATION NOTES:

- 1) SEE SHEET 1 FOR SPACING REQUIREMENTS.
- 2) SEE TABLE(S) ON SHEET 1 FOR ANCHORAGE AND SUBSTRATE REQUIREMENTS.
- 3) MAX. SHIM THICKNESS TO BE 1/4".
- 4) GLASS SHOWN IS FOR ILLUSTRATIVE PURPOSES ONLY AND MAY DIFFER TO MEET DESIGN REQUIREMENTS.
- 5) FIN AND FLANGE MAY BE REMOVED FOR EQUAL-LEG FRAME APPLICATIONS. USE FLANGE INSTRUCTIONS (SHEET 2).

Rev. # 08/01/22 Date 08/01/22 Updated Cert. Method C

PREPARED BY A. LYNN MILLER 1070 TECHNOLOGY DRIVE N. VENICE, FL 34275 (941) 480-1600		REGISTRATION #29296 COPYRIGHT © 2022 PGT, INC., LIMITED LICENSE TO MAKE COPIES FOR PERMITTING.	Date 06/12/11
PGT® 1070 TECHNOLOGY DRIVE N. VENICE, FL 34275 (941) 480-1600		By JENS ROSOWSKI	
ALUMINUM FIXED CASEMENT WINDOW (NI)		FCA640FPA-NI	
FIN FRAME INSTALLATION		3 OF 3	
DETAILS		Sheet	
FCA640A	Series		



A. LYNN MILLER, P.E.
P.E.# 58705