

SEE CORNER DETAIL ON THIS SHEET.

95 3/4" MAX. (96" ROUGH OPENING)

179 5/8" MAX. AT 3 LOUVERS (ROUGH OPENING = 180")

59 7/8" MAX. 30" MAX. 59 7/8" MAX. 30" MAX. 59 7/8" MAX. 30" MAX.

SEE CORNER DETAIL ON THIS SHEET.

1/8" +/- GAP BETWEEN LOUVER PANELS

HIDDEN LINES ARE FOR SUPPORT ANGLES AT BACK SIDE OF LOUVERS.

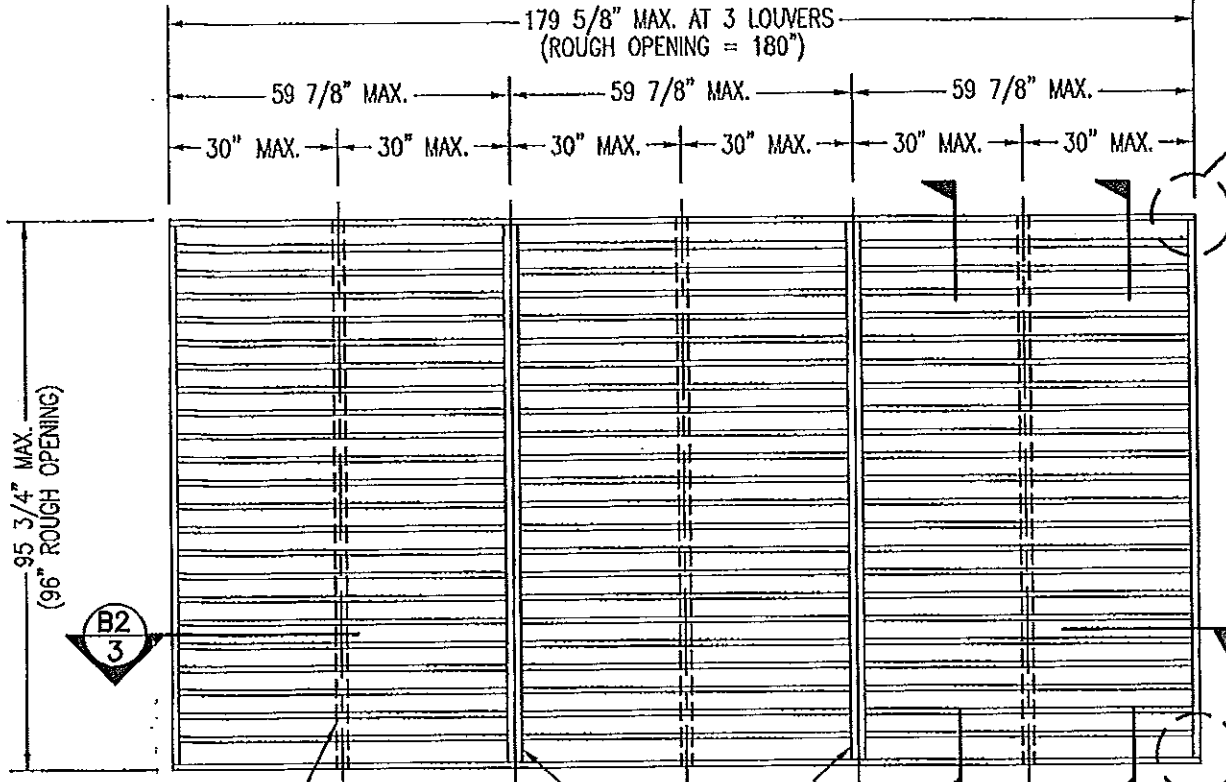
EXTERIOR ELEVATION ARCHITECTURAL 4" LOUVER

SCALE: 3/8"=1'-0"

NOTE: THIS LOUVER SYSTEM MAY CONSIST OF AN UNLIMITED NUMBER OF SECTIONS PROVIDING EACH SECTION DOES NOT EXCEED 59 7/8" X 95 3/4" IN SIZE.

GENERAL NOTES:

1. THESE LOUVER SYSTEMS HAVE BEEN TESTED, ANALYZED & APPROVED FOR DESIGN PRESSURES NOT TO EXCEED THOSE SHOWN IN THE "ALLOWABLE DESIGN PRESSURE TABLE(S)".
2. OPENINGS MUST BE PROPERLY DESIGNED & CONSTRUCTED TO TRANSFER WIND LOADS TO THE STRUCTURE.
3. ALL HARDWARE & FASTENERS SHALL BE IN ACCORDANCE WITH THESE DRAWINGS & SHALL NOT VARY UNLESS SPECIFICALLY MENTIONED ON THE DRAWINGS. SPECIFIED ANCHOR EMBED TO BASE MATERIAL SHALL BE BEYOND WALL FINISH OR STUCCO.
4. THE DETAILS & SPECIFICATIONS SHOWN HEREIN REPRESENT THE PRODUCTS TESTED & PROPOSED FOR IMPACT, CYCLIC & UNIFORM STATIC AIR PRESSURE TESTING IN CONFORMANCE WITH THE FLORIDA BUILDING CODE PROTOCOLS TAS-201, 202 & 203 FOR LARGE MISSILE IMPACT LOUVERS.
5. THESE LOUVER SYSTEMS HAVE BEEN DESIGNED IN ACCORDANCE WITH AND MEET THE REQUIREMENTS OF THE FLORIDA BUILDING CODE (FBC) INCLUDING HIGH VELOCITY HURRICANE ZONES (HVHZ).
6. ALL ANCHORS SECURING LOUVER FRAME TO PRESSURE TREATED BUCKS OR WOOD FRAMING SHALL BE CAPABLE OF RESISTING CORROSION CAUSED BY THE PRESSURE TREATING CHEMICALS IN THE WOOD.
7. DETERMINE THE POSITIVE & NEGATIVE DESIGN LOADS TO USE WHEN REFERENCING THESE DOCUMENTS IN ACCORDANCE WITH THE GOVERNING CODE AND GOVERNING WIND VELOCITY. FOR WIND LOAD CALCULATIONS IN ACCORDANCE WITH THE FLORIDA BUILDING CODE, A DIRECTIONALITY FACTOR OF $K_d = 0.85$ MAY BE APPLIED PER THE ASCE 7 STANDARD.
8. NO INCREASE IN ALLOWABLE STRESS HAS BEEN USED IN THE CERTIFICATION OF THIS PRODUCT. WIND LOAD DURATION FACTOR $C_d = 1.6$ WAS USED FOR WOOD SCREW ANALYSIS ONLY.
9. MATERIALS, INCLUDING BUT NOT LIMITED TO STEEL SCREWS, THAT COME INTO CONTACT WITH OTHER DISSIMILAR MATERIALS SHALL MEET THE REQUIREMENTS OF FLORIDA BUILDING CODE CHAPTER 20.
10. MAXIMUM ALLOWABLE INDIVIDUAL PANEL SIZE = 59 7/8" X 95 3/4".
11. MAXIMUM ASSEMBLY SIZE = UNLIMITED WIDTH; UP TO 95 3/4" HEIGHT.
12. ASSEMBLIES/SECTIONS MAY BE STACKED VERTICALLY PROVIDING A STRUCTURAL SUPPORT IS DESIGNED & INSTALLED BY OTHERS TO SUPPORT ALL LOADS TRANSFERRED FROM THE LOUVER ASSEMBLY.
13. MAXIMUM UNSUPPORTED BLADE LENGTH SHALL NOT EXCEED 30"
14. ALL FASTENERS SHALL BE PLATED STEEL OR 304 STAINLESS STEEL.
15. SPECIFIED SUBSTRATES REQUIREMENTS:
 CONCRETE: MIN. 3000 PSI
 MASONRY: MIN. C90 CMU
 WOOD: MIN. GRADE 2; $G = 0.55$
 STEEL: MIN. 1/8" THICK A36 (36 KSI)
16. THIS SYSTEM HAS NOT BEEN TESTED FOR WATER INFILTRATION RESISTANCE & IS NOT A WATER RESISTANT SYSTEM.



SEE CORNER DETAIL ON THIS SHEET.

95 3/4" MAX. (96" ROUGH OPENING)

179 5/8" MAX. AT 3 LOUVERS (ROUGH OPENING = 180")

59 7/8" MAX. 30" MAX. 59 7/8" MAX. 30" MAX. 59 7/8" MAX. 30" MAX.

SEE CORNER DETAIL ON THIS SHEET.

HIDDEN LINES ARE FOR SUPPORT ANGLES AT BACK SIDE OF LOUVERS.

VERTICAL MULLION (REF.)

EXTERIOR ELEVATION NON-ARCHITECTURAL 4" LOUVER

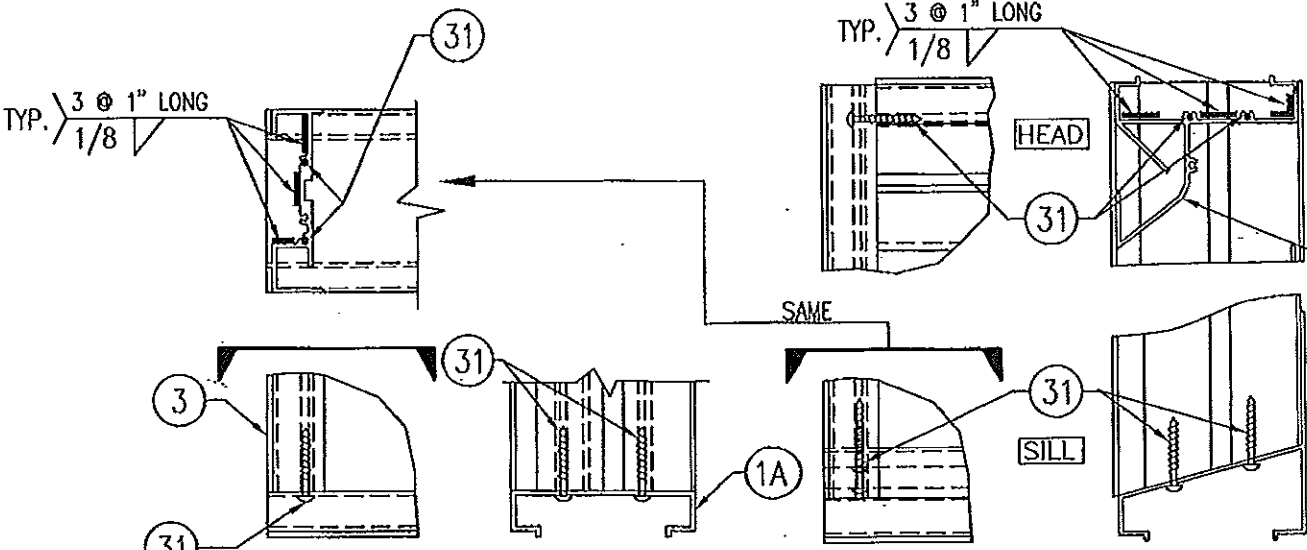
SCALE: 3/8"=1'-0"

NOTE: THIS LOUVER SYSTEM MAY CONSIST OF AN UNLIMITED NUMBER OF SECTIONS PROVIDING EACH SECTION DOES NOT EXCEED 59 7/8" X 95 3/4" IN SIZE.

PRODUCT REVISED as complying with the Florida Building Code
 Acceptance No. 13-0422.12
 Expiration Date 07/27/2018
 By [Signature]
 Miami Dade Product Control

MAX. ALLOWABLE DESIGN WIND PRESSURE	
POSITIVE	NEGATIVE
150 PSF	150 PSF

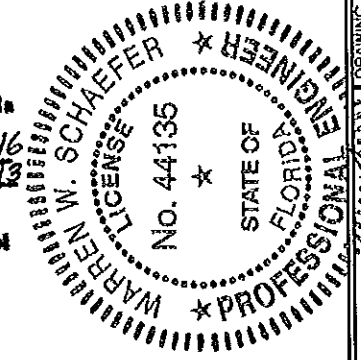
NOTE: SEE LOAD TABLE ON SHEET 7 FOR VARIATIONS OF PRESSURES WITH RESPECT TO PANEL WIDTH & CLIP SPACING.



CORNER DETAIL OPTION 1
 (SILL CORNER SHOWN; HEAD IS MIRRORED IMAGE)

CORNER DETAIL OPTION 2

PRODUCT REVISED as complying with the Florida Building Code
 Acceptance No. 11-1117.16
 Expiration Date 07/27/2018
 By [Signature]
 Miami Dade Product Control



THESE DRAWINGS ARE APPLICABLE ONLY TO THE PRODUCT SPECIFIED. THEY MAY NOT BE USED FOR THE ASSEMBLY AND/OR INSTALLATION OF ANY OTHER PRODUCT NOR MAY THEY BE USED FOR RATIONAL AND/OR LOCAL APPROVAL OF ANY PRODUCT NOT PRODUCED BY THE MANUFACTURER STATED ON THESE DRAWINGS.

DRAWN BY: K.P.S.	CHECKED BY: M.W.S.
DATE: 04/17/08	DATE: 11/18/03
REVISION NO. 1	DESCRIPTION: UPDATE FOR CODE COMPLIANCE
REVISION NO. 2	DESCRIPTION: UPDATE TO CURRENT STANDARDS

MODEL A220 4" LOUVER SYSTEM

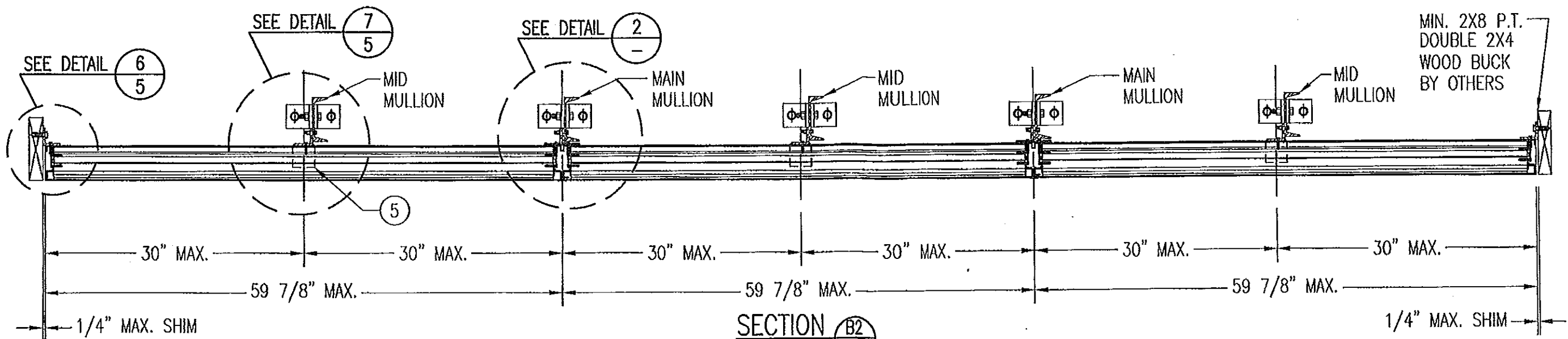
MANUFACTURER: AIR BALANCE INC.
 450 RIVERSIDE DRIVE, WYALUSING, PA 18853
 570-746-1888

CONSULTANTS: W. W. SCHAEFER ENGINEERING & CONSULTING, P.A. (CA 6809)
 7480 150TH COURT NORTH, PALM BEACH GARDENS, FL 33418
 PHONE: 561-744-3424

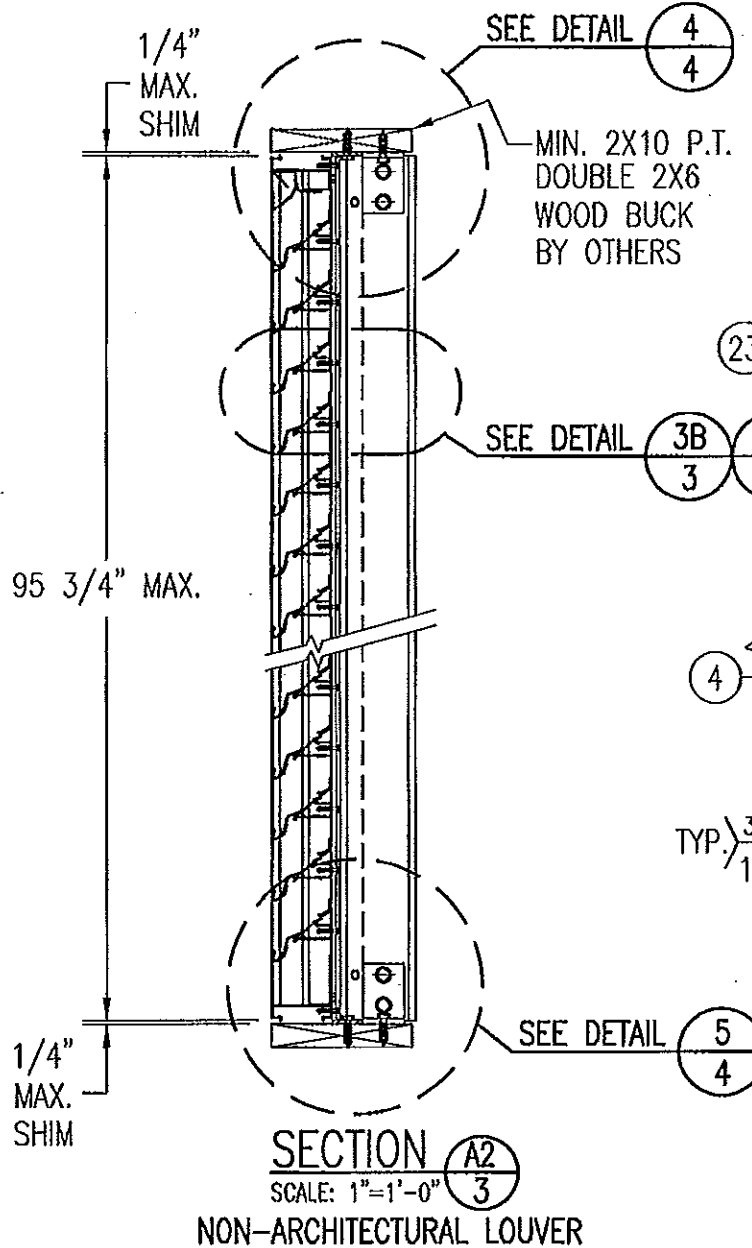
CERTIFICATION: WARREN W. SCHAEFER, P.E. License No. 44135, STATE OF FLORIDA, PROFESSIONAL ENGINEER

NOV 08 2011

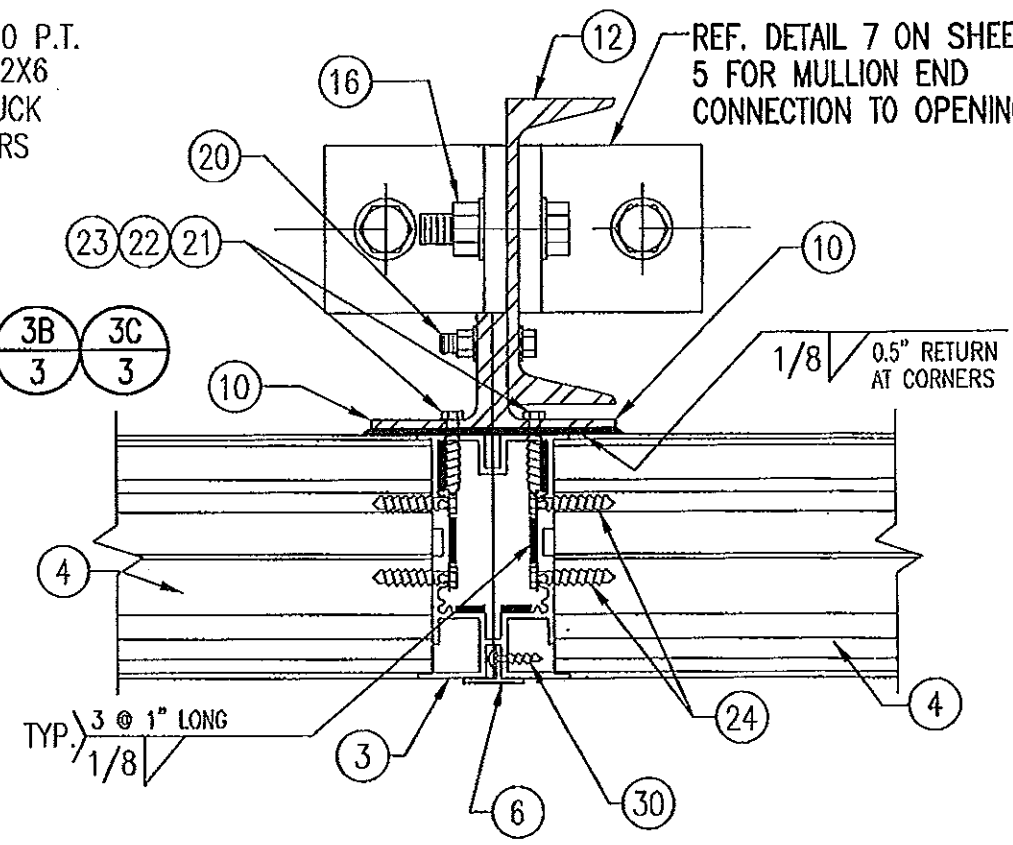
DRAWING NO. 1262
 SHEET NO. 1 OF 7



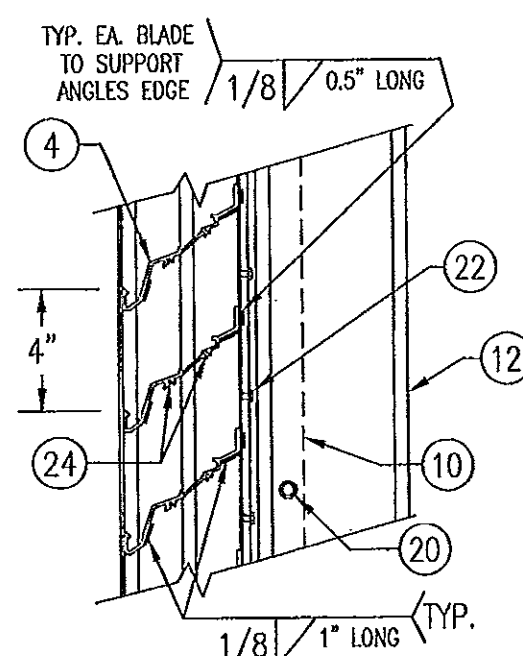
SECTION B2
SCALE: 1"=1'-0"
NON-ARCHITECTURAL LOUVER



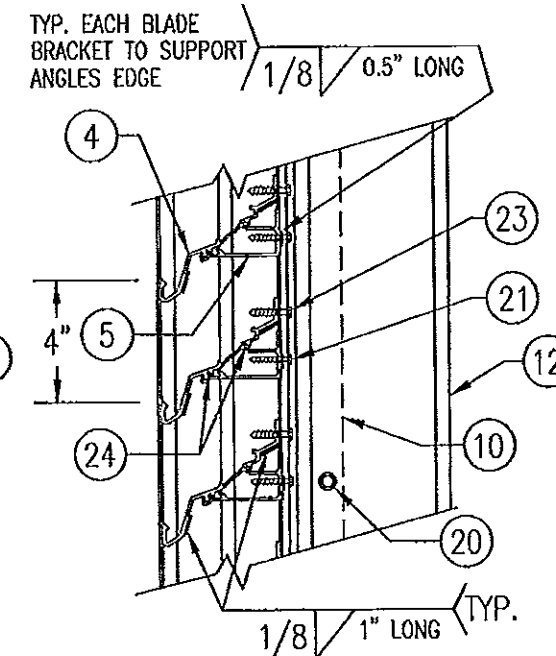
SECTION A2
SCALE: 1"=1'-0"
NON-ARCHITECTURAL LOUVER



DETAIL 2
SCALE: 2"=1'-0"
NON-ARCHITECTURAL LOUVER
NOTE: SIDE JAMBS ARE ADDITIONALLY FASTENED TO THE SILL & HEAD WITH 2 NO. 7 X 1" SMS THROUGH SILL & INTO JAMB SPLINES.



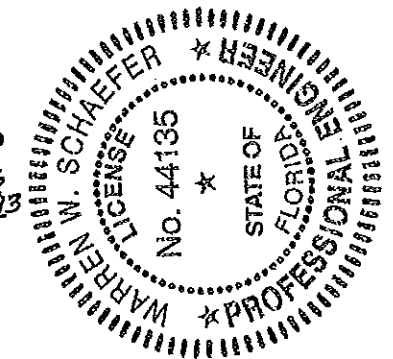
DETAIL 3B
SCALE: 2"=1'-0"
TYP. AT ALL MID-SPAN MULLIONS THIS SHEET



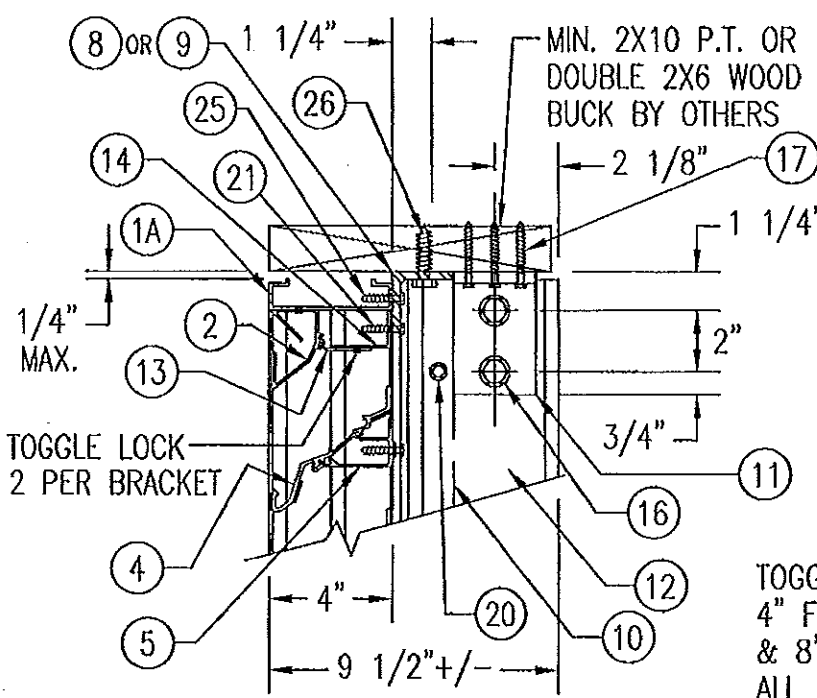
DETAIL 3C
SCALE: 2"=1'-0"
TYP. AT ALL MID-SPAN MULLIONS THIS SHEET

PRODUCT RENEWED
as complying with the Florida Building Code
Acceptance No 13-0422-12
Expiration Date 07/27/2018
By *[Signature]*
Miami Dade Product Control

PRODUCT REVISED
as complying with the Florida Building Code
Acceptance No 11-1117-16
Expiration Date 02/27/2013
By *[Signature]*
Miami Dade Product Control

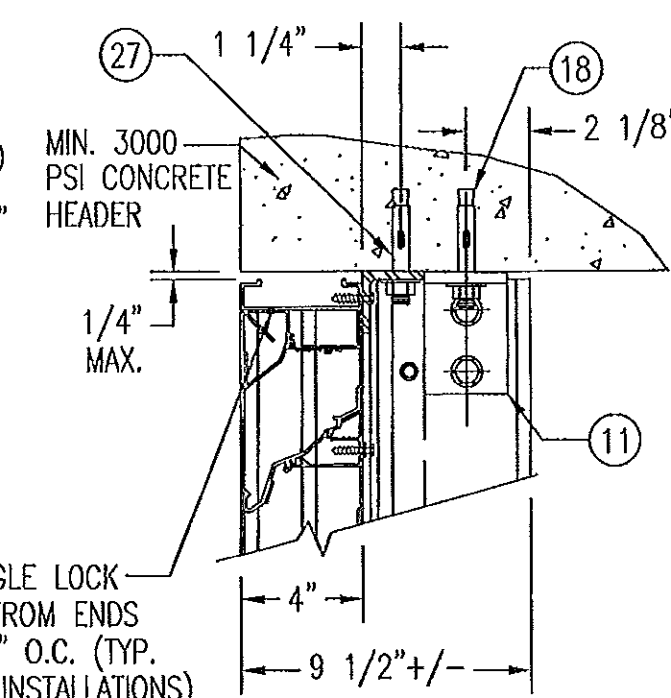


DRAWN BY: K.P.S.	CHECKED BY: W.W.S.
PLOT: 1-12	DATE: 11/18/03
DATE	BY
REVISION DESCRIPTION	NO.
DRAWING TITLE MODEL A220 4" LOUVER SYSTEM	
CONSULTANTS W. W. SCHAEFER ENGINEERING & CONSULTING, P.A. (CA 6809) 7480 150TH COURT NORTH PALM BEACH GARDENS, FL 33418 PHONE: 561-744-3424	MANUFACTURER AIR BALANCE INC. 450 RIVERSIDE DRIVE WYALUSING, PA 18853 570-746-1888
CERTIFICATION NOV 08 2011 WARREN W. SCHAEFER, P.E. P.E. NO. 44135	DRAWING NO. 1262 REV. B
	SHEET NO. 3 OF 7



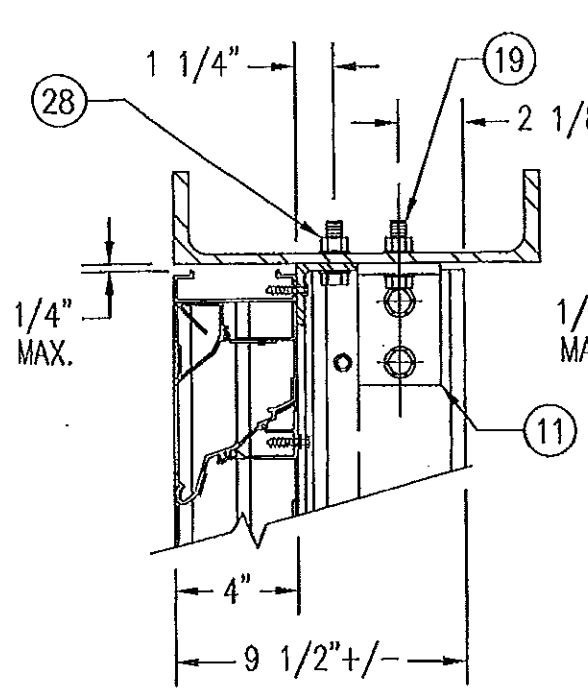
WOOD FRAMED OPENING

SEE "DETAIL 3A & 3B" FOR LOUVER BLADE DETAILS
 NOTE: STANDARD HEADER (ITEMS #1A & 2) IS SHOWN IN THIS VIEW. 1-PIECE HEADER (ITEM 1C) ALSO APPLIES.



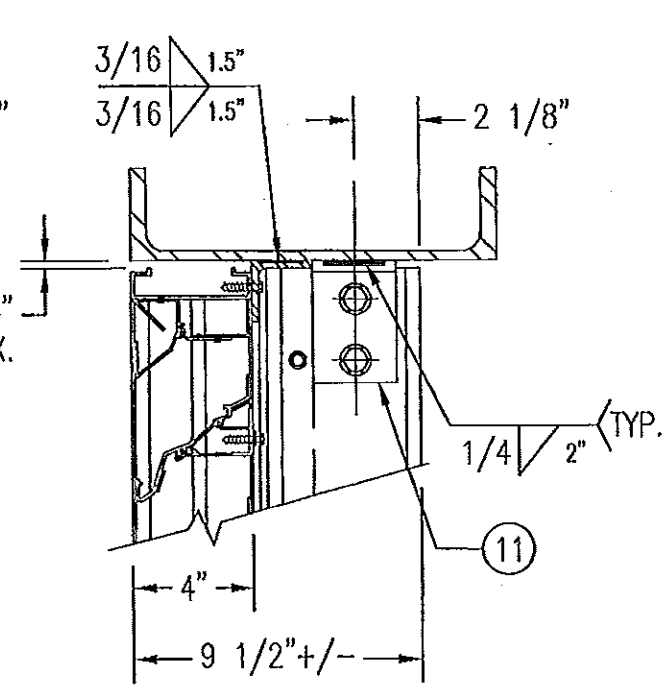
CONCRETE HEAD

SEE "WOOD OPENING" FOR DETAIL NOT SHOWN (MASONRY ACCEPTABLE AT SIDES ONLY AND MAY NOT BE USED AT HEAD OR SILL)



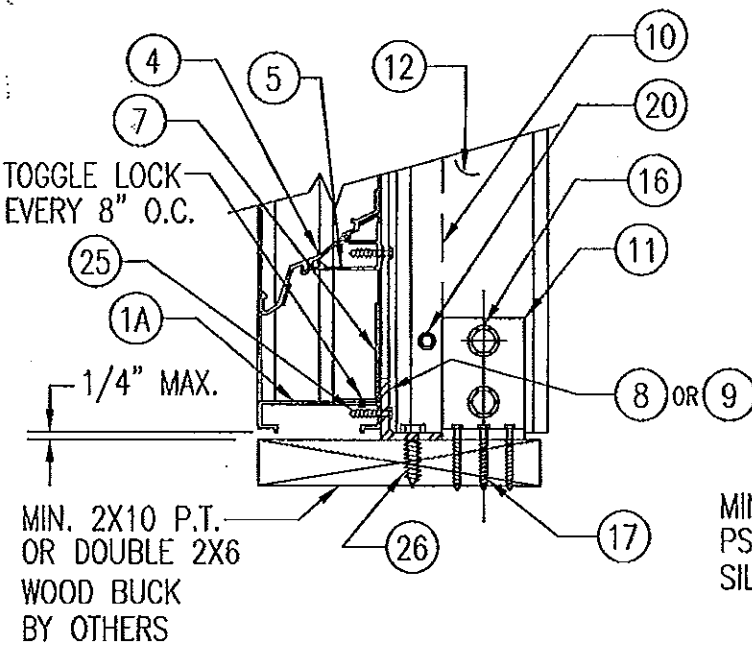
STEEL FRAME OPENING (BOLTED)

SEE "WOOD OPENING" FOR DETAIL NOT SHOWN



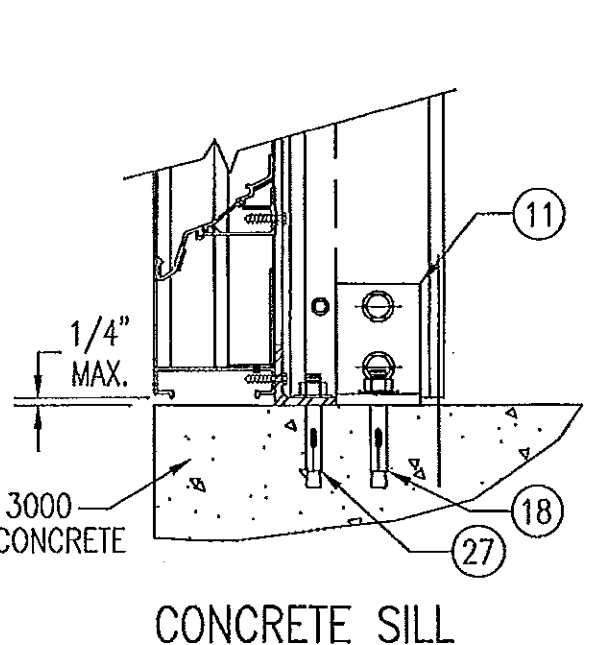
STEEL FRAME OPENING (WELDED)

SEE "WOOD OPENING" FOR DETAIL NOT SHOWN



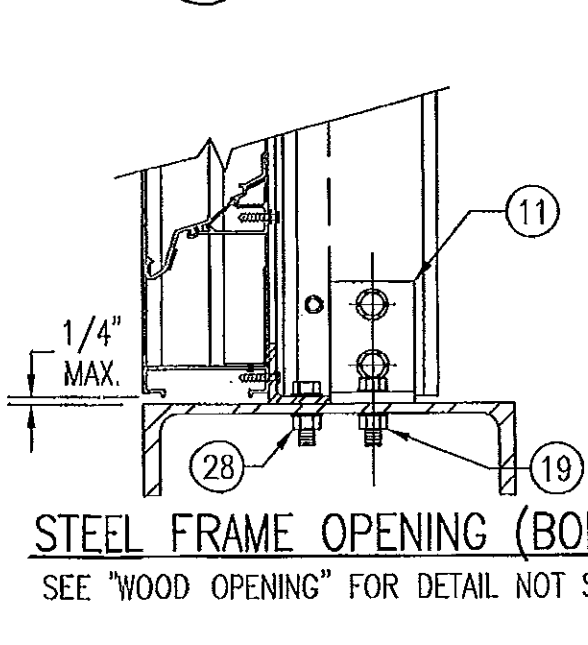
WOOD FRAMED OPENING

SEE "DETAIL 3A & 3B" FOR LOUVER BLADE DETAILS
 NOTE: STANDARD SILL (ITEM #1A) IS SHOWN IN THIS VIEW. SLOPED SILL (ITEM 1B) ALSO APPLIES.



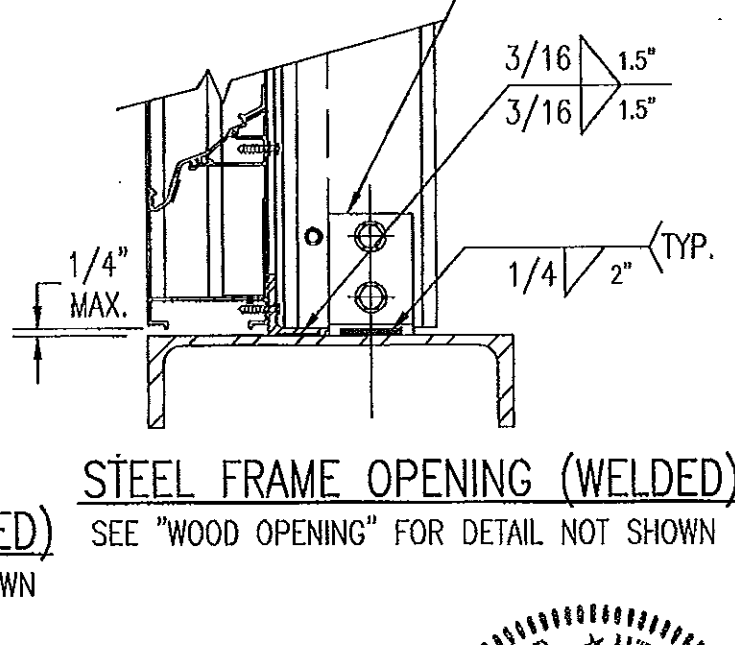
CONCRETE SILL

SEE "WOOD OPENING" FOR DETAIL NOT SHOWN (MASONRY ACCEPTABLE AT SIDES ONLY AND MAY NOT BE USED AT HEAD OR SILL)



STEEL FRAME OPENING (BOLTED)

SEE "WOOD OPENING" FOR DETAIL NOT SHOWN



STEEL FRAME OPENING (WELDED)

SEE "WOOD OPENING" FOR DETAIL NOT SHOWN

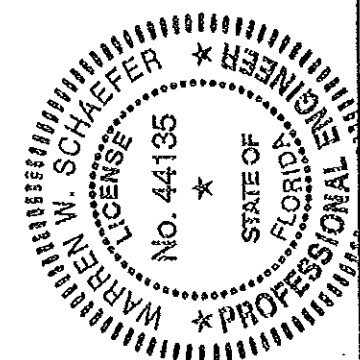
DETAIL 4
 SCALE: 2"=1'-0"

DETAIL 5
 SCALE: 2"=1'-0"

MASONRY MAY ONLY BE USED AT SIDES OF LOUVER PANELS & MAY NOT BE USED AT THE HEAD OR SILL.

PRODUCT RENEWED
 as complying with the Florida Building Code
 Acceptance No 13-0422.12
 Expiration Date 07/27/2018
 By [Signature]
 Miami Dade Product Control

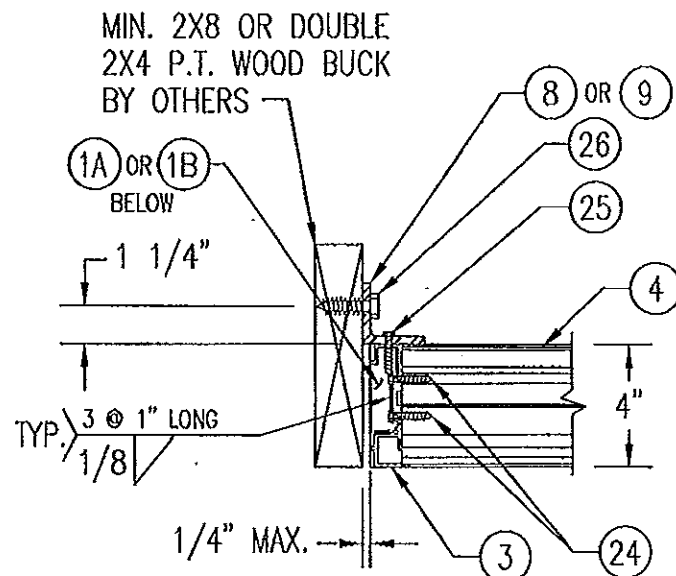
PRODUCT REVISED
 as complying with the Florida Building Code
 Acceptance No 11-1117.16
 Expiration Date 07/27/2013
 By [Signature]
 Miami Dade Product Control



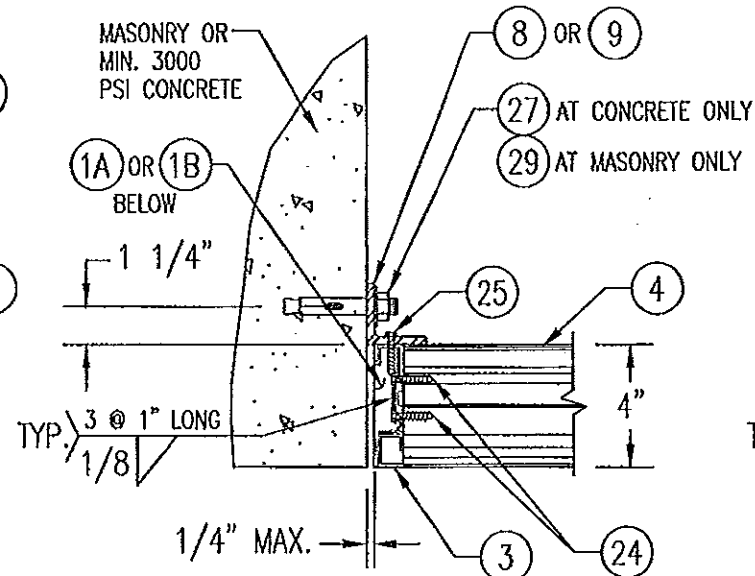
DRAWN BY:	K.P.S.	CHECKED BY:	W.W.S.
PLOT:	1-5	DATE:	11/18/03
NO.		REVISION DESCRIPTION	
BY			
DATE			

DRAWING TITLE: MODEL A220 4" LOUVER SYSTEM
 CONSULTANTS: W. W. SCHAEFER ENGINEERING & CONSULTING, P.A. (CA 6809)
 7480 150TH COURT NORTH, 33418 PALM BEACH GARDENS, FL
 PHONE: 561-744-3424
 MANUFACTURER: AIR BALANCE INC.
 450 RIVERSIDE DRIVE, WYALUSING, PA 18853
 570-746-1888

CERTIFICATION: NOV 08 2011
 WARREN W. SCHAEFER, P.E.
 P.E. NO. 44135
 DRAWING NO. 1262
 REV. B
 SHEET NO. 4 OF 7

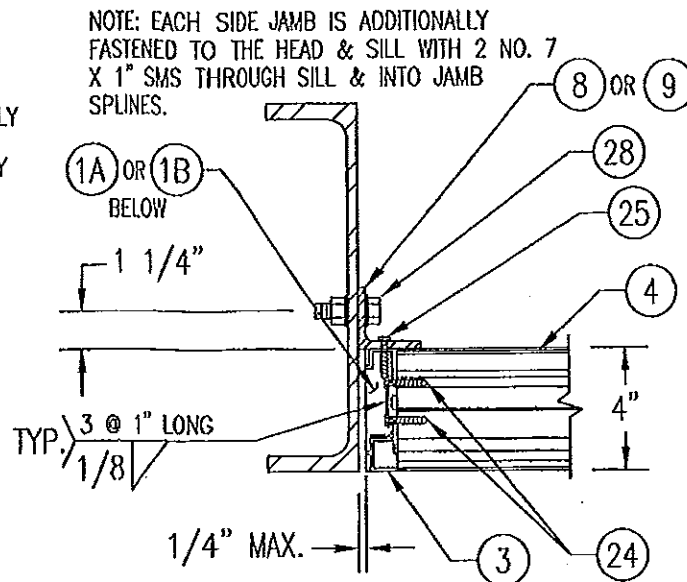


WOOD FRAMED OPENING



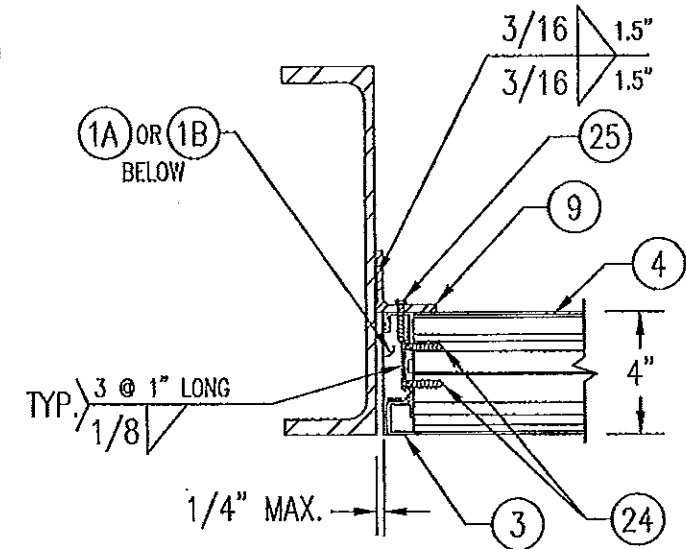
CONCRETE/MASONRY OPENING

(MASONRY ACCEPTABLE AT SIDES ONLY AND MAY NOT BE USED AT HEAD OR SILL)

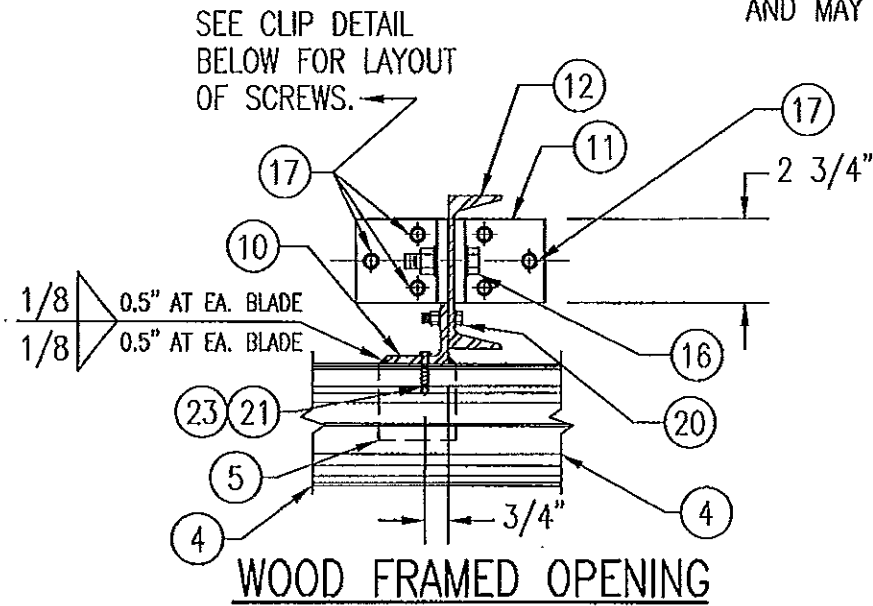


STEEL FRAME OPENING (BOLTED)

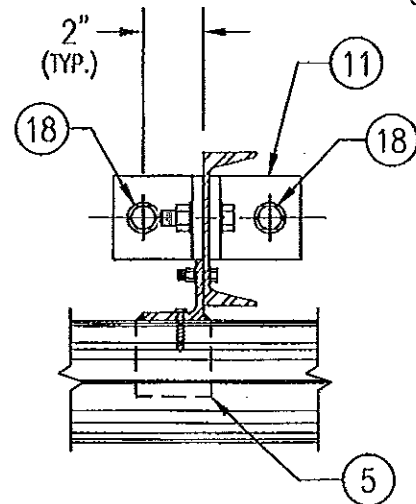
DETAIL 6
SCALE: 2"=1'-0"



STEEL FRAME OPENING (WELDED)

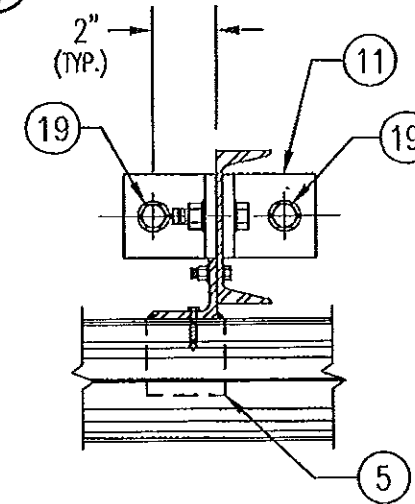


WOOD FRAMED OPENING



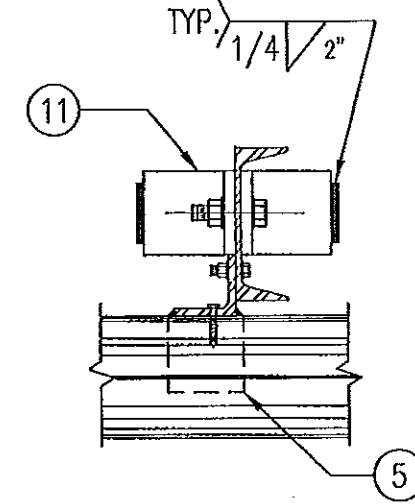
CONCRETE SILL & HEAD

SEE "WOOD OPENING" FOR DETAIL NOT SHOWN (MASONRY ACCEPTABLE AT SIDES ONLY AND MAY NOT BE USED AT HEAD OR SILL)



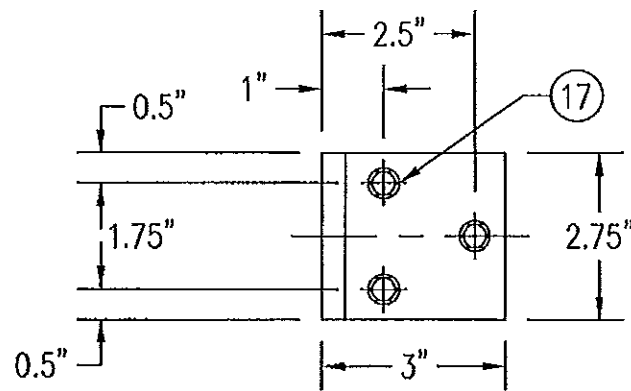
STEEL FRAME OPENING (BOLTED)

SEE "WOOD OPENING" FOR DETAIL NOT SHOWN



STEEL FRAME OPENING (WELDED)

SEE "WOOD OPENING" FOR DETAIL NOT SHOWN



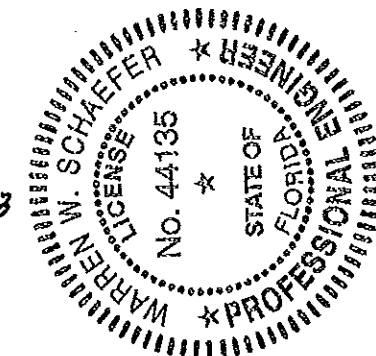
MULLION CLIP DETAIL @ WOOD INSTALLATION

MASONRY MAY ONLY BE USED AT SIDES OF LOUVER PANELS & MAY NOT BE USED AT THE HEAD OR SILL.

DETAIL 7
SCALE: 2"=1'-0"

PRODUCT RENEWED
as complying with the Florida
Building Code
Acceptance No 13-0422.12
Expiration Date 07/27/2018
By *[Signature]*
Miami Trade Product Control

PRODUCT REVISED
as complying with the Florida
Building Code
Acceptance No 11-1117.16
Expiration Date 07/27/2013
By *[Signature]*
Miami Trade Product Control



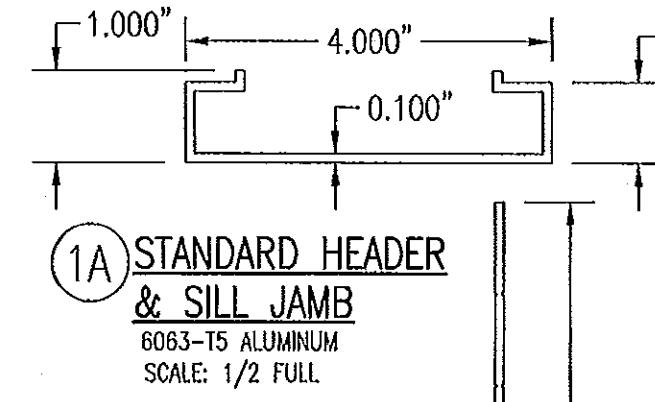
DRAWN BY: K.P.S.	CHECKED BY: W.W.S.
FLOOR: 1-6	DATE: 11/18/03
DATE	
BY	
REVISION DESCRIPTION	
NO.	

MANUFACTURER
AIR BALANCE INC.
450 RIVERSIDE DRIVE
WYALUSING, PA 18853
570-746-1888

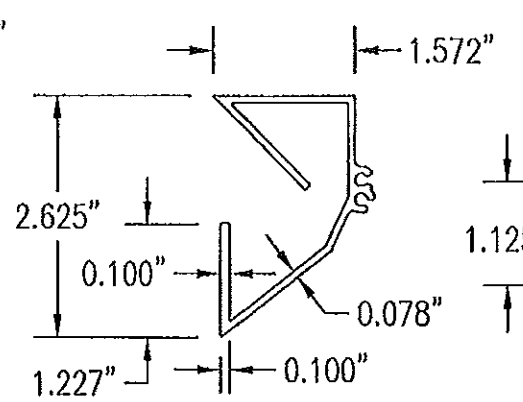
CONSULTANTS
W. W. SCHAEFER ENGINEERING & CONSULTING, P.A. (CA 6809)
7480 150TH COURT NORTH
PALM BEACH GARDENS, FL 33418
PHONE: 561-744-3424

CERTIFICATION
NOV 08 2011
WARREN M. SCHAEFER, P.E.
P.E. NO. 44135

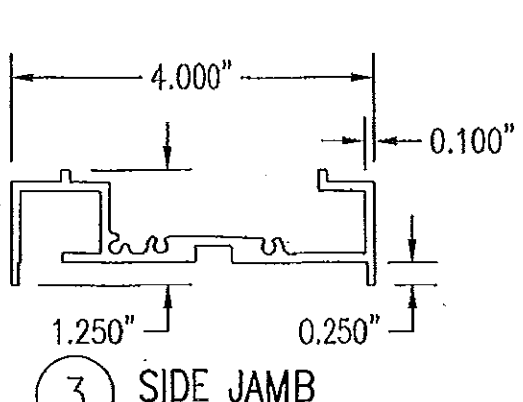
DRAWING NO.	REV.
1262	B
SHEET NO.	
5	OF 7



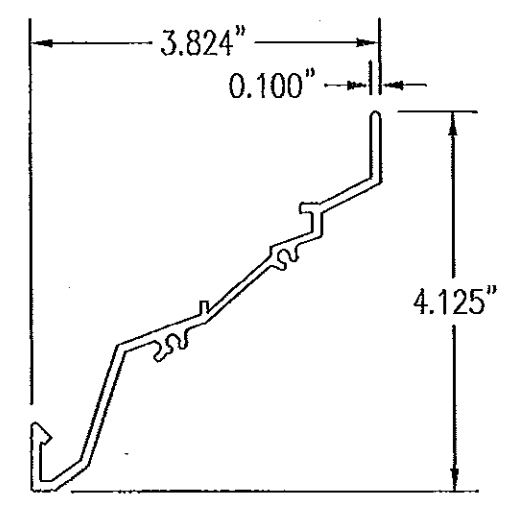
1A STANDARD HEADER & SILL JAMB
6063-T5 ALUMINUM
SCALE: 1/2 FULL



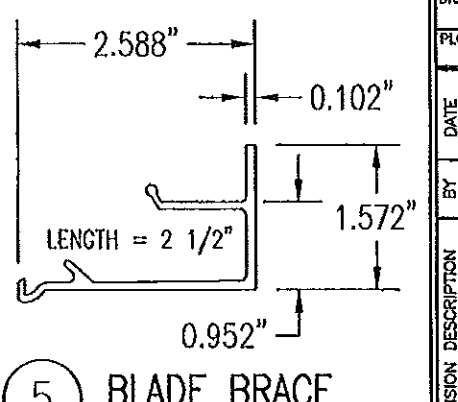
2 PARTIAL BLADE
6063-T5 ALUMINUM
SCALE: 1/2 FULL



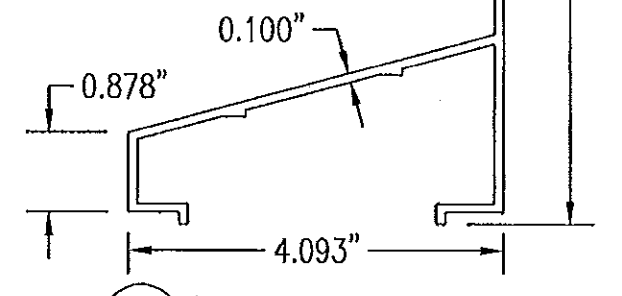
3 SIDE JAMB
6063-T5 ALUMINUM
SCALE: 1/2 FULL



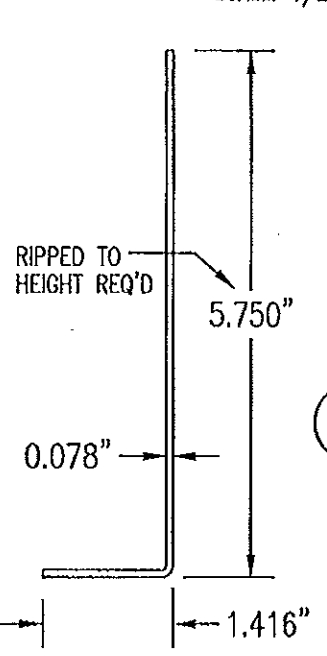
4 LOUVER BLADE
6063-T5 ALUMINUM
SCALE: 1/2 FULL



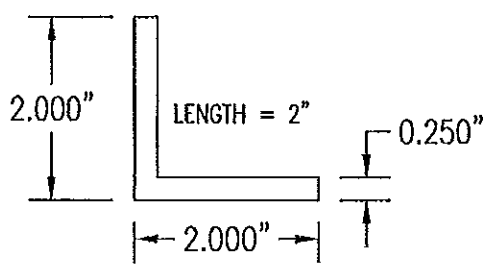
5 BLADE BRACE
6063-T5 ALUMINUM
SCALE: 1/2 FULL



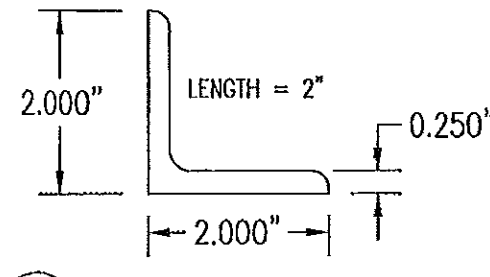
1B OPTIONAL SLOPED SILL
6063-T5 ALUMINUM
SCALE: 1/2 FULL



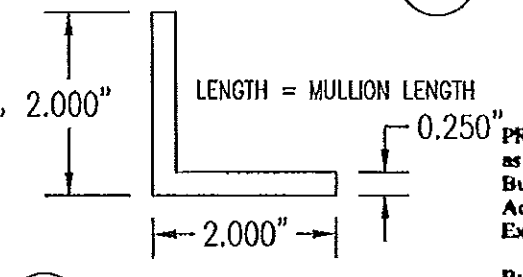
7 SILL ANGLE
6063-T5 ALUMINUM
SCALE: 1/2 FULL



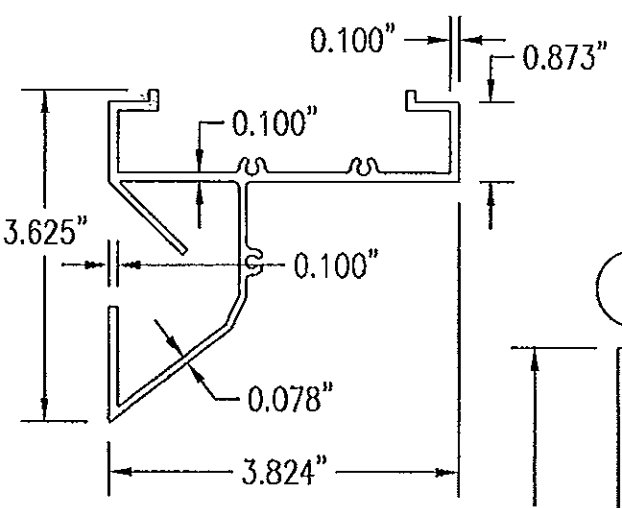
8 CONNECTION ANGLE
6063-T5 ALUMINUM
SCALE: 1/2 FULL



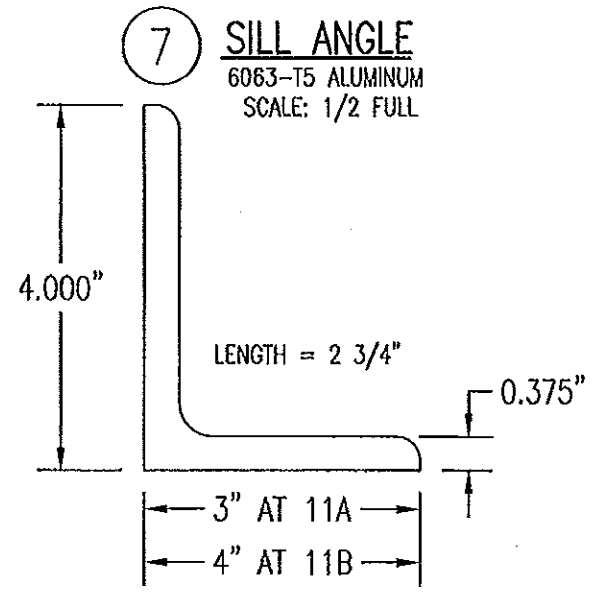
9 CONNECTION ANGLE
A36 STEEL
SCALE: 1/2 FULL



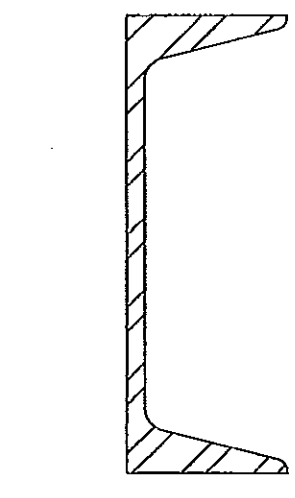
10 MULLION ANGLE
6063-T5 ALUMINUM
SCALE: 1/2 FULL



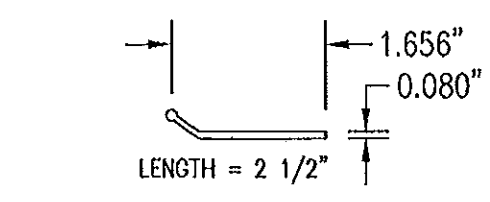
1C OPTIONAL 1-PIECE HEADER
6063-T5 ALUMINUM
SCALE: 1/2 FULL



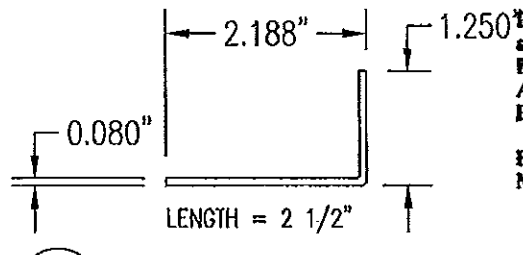
11A 11B MULLION END CONNECTION ANGLE
A36 STEEL
SCALE: 1/2 FULL



12 C5X6.7 MULLION
A36 STEEL
SCALE: 1/2 FULL



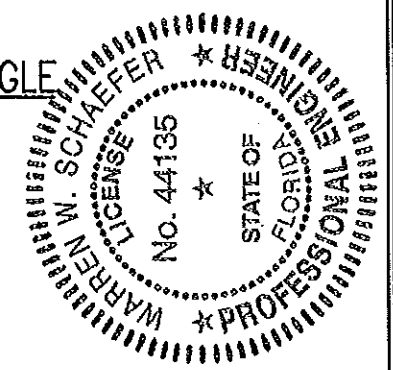
13 PARTIAL BLADE REINFORCEMENT PLATE
6063-T5 ALUMINUM
SCALE: 1/2 FULL



14 PARTIAL BLADE REINFORCEMENT ANGLE
6063-T5 ALUMINUM
SCALE: 1/2 FULL

PRODUCT RENEWED
as complying with the Florida
Building Code
Acceptance No 13-0422.12
Expiration Date 07/27/2018
By *[Signature]*
Miami Dade Product Control

PRODUCT REVISED
as complying with the Florida
Building Code
Acceptance No 11-1117.16
Expiration Date 07/27/2013
By *[Signature]*
Miami Dade Product Control



DRAWN BY:	CHECKED BY:
K.P.S.	W.W.S.
DATE:	DATE:
1-2	11/18/03
NO.	REVISION DESCRIPTION

DRAWING TITLE: MODEL A220 4" LOUVER SYSTEM
MANUFACTURER: AIR BALANCE INC.
450 RIVERSIDE DRIVE
WYALUSING, PA 18853
570-746-1888

CONSULTANTS: W. W. SCHAEFER ENGINEERING & CONSULTING, P.A. (CA 6809)
7480 150TH COURT NORTH
PALM BEACH GARDENS, FL 33418
PHONE: 561-744-3424

CERTIFICATION: NOV 08 2011
WARREN W. SCHAEFER, P.E.
P.E. NO. 44135

ALLOWABLE WIND PRESSURE VS. JAMB CLIP SPACING AND PANEL WIDTH

PANEL WIDTH (INCHES)	CLIP SPACING (INCHES)	ALLOWABLE PRESSURE WITH MID SPAN MULLION (PSF)	ALLOWABLE PRESSURE WITHOUT MID SPAN MULLION (PSF)
16	8	150	150
	12	150	150
	16	150	140
	20	150	105
	24	150	70
20	8	150	150
	12	150	140
	16	150	112
	20	150	84
	24	150	56
24	8	150	140
	12	150	117
	16	150	93
	20	150	70
	24	125	47
28	8	150	82
	12	150	68
	16	150	54
	20	150	41
	24	107	27
30	8	150	62
	12	150	52
	16	150	41
	20	140	31
	24	93	--
36	8	150	--
	12	150	--
	16	150	--
	20	125	--
	24	83	--
42	8	150	--
	12	150	--
	16	142	--
	20	107	--
	24	71	--
48	8	150	--
	12	150	--
	16	125	--
	20	93	--
	24	62	--
54	8	150	--
	12	138	--
	16	111	--
	20	83	--
	24	55	--
60	8	150	--
	12	125	--
	16	100	--
	24	50	--

MATERIAL LIST

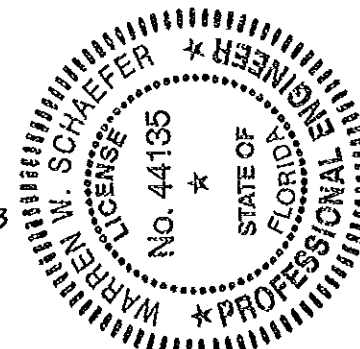
NO.	DESCRIPTION	NOTES/SPECIFICATIONS
PARTS/EXTRUSIONS		
1A	STANDARD HEADER & SILL JAMB	6063-T5 ALUMINUM
1B	OPTIONAL SLOPED SILL	6063-T5 ALUMINUM
1C	OPTIONAL 1-PIECE HEADER	6063-T5 ALUMINUM
2	PARTIAL BLADE & HEAD	6063-T5 ALUMINUM
3	SIDE JAMB	6063-T5 ALUMINUM
4	LOUVER BLADE	6063-T5 ALUMINUM
5	BLADE SUPPORT BRACKET (2 1/2" LONG)	6063-T5 ALUMINUM
6	MULLION CAP	6063-T5 ALUMINUM; FULL LENGTH OF MULLION JAMBS
7	SILL ANGLE	6063-T5 ALUMINUM; FULL WIDTH OF PANEL
8	L2X2X1/4 JAMB CONNECTION ANGLE 2" LONG	6063-T5 ALUMINUM; WITHIN 4" OF JAMB ENDS & SPACED PER LOAD TABLE ON SHT. 2
9	L2X2X1/4 OPTIONAL JAMB CONNECTION ANGLE 2" LONG	A36 STEEL; WITHIN 4" OF JAMB ENDS & SPACED PER LOAD TABLE ON SHT. 2
10	L2X2X1/4 CONTINUOUS MULLION CONNECTION ANGLE	6063-T5 ALUMINUM; FULL LENGTH OF CHANNEL MULLION
11	L4X3X3/8 MULLION END CONNECTION ANGLE 2 3/4" LONG	A36 STEEL; 2 PER MULLION END
12	C5X6.7 MULLION	A36 STEEL; FULL HEIGHT OF PANELS
13	PARTIAL BLADE REINFORCEMENT PLATE (2 1/2" LONG)	6063-T5 ALUMINUM
14	PARTIAL BLADE REINFORCEMENT ANGLE (2 1/2" LONG)	6063-T5 ALUMINUM
15	OPEN	
FASTENERS		
16	1/2" X 2" A307 HEX HEAD PLATED STEEL OR S/STL BOLT	WITH FLAT WASHERS, LOCK WASHER & NUT; 2 PER MULLION END
17	NO. 14 S.S. SMS SCREWS	3 PER MULLION END CLIP WITH MIN. 1 1/2" WOOD EMBED
18	5/8" X 2 1/4" SLEEVE ANCHOR WITH FLAT WASHER	USA KINGPIN ANCHOR; 1 PER CHANNEL END CONNECTION ANGLE INTO CONCRETE ONLY
19	1/2" X 2" A307 HEX HEAD PLATED STEEL OR S/STL BOLT	WITH FLAT WASHERS, LOCK WASHER & NUT; 1 PER CHANNEL END CONNECTION ANGLE INTO STEEL FRAME
20	5/16-18 UNC X 1 1/2" HEX HEAD STEEL OR S/STL BOLT	WITH FLAT WASHER, LOCK WASHER & NUT; WITHIN 4" OF MULLION ENDS & MAX. 8" O.C.
21	NO. 8 X 3/4" SMS SCREW	1 AT EACH LOUVER BLADE SUPPORT BRACKET AT ARCHITECTURAL MAIN MULLIONS & ALL MID-SPAN MULLIONS
22	NO. 14 X 1 1/4" HILTI TEK SCREW	WITHIN 3/4" OF MULLION ENDS & MAX. 4" O.C. INTO FRAME
23	NO. 14 X 1" SMS SCREW	1 AT EACH LOUVER BLADE AT ALL ARCHITECTURAL MAIN MULLIONS & ALL MID-SPAN MULLIONS
24	NO. 7 X 1" SMS SCREW	2 PER EACH LOUVER BLADE END THROUGH JAMB & INTO BLADE SPLINES
25	NO. 14 X 1 1/4" HILTI TEK SCREW	2 PER EACH HEAD, SILL & SIDE JAMB CONNECTION ANGLE
26	1/2" X 2" LAG SCREW WITH FLAT WASHER	1 PER EACH HEAD, SILL & SIDE JAMB CONNECTION ANGLE INTO WOOD FRAME
27	5/8" X 2 1/4" SLEEVE ANCHOR WITH FLAT WASHER	USA KINGPIN ANCHOR; 1 PER EACH HEAD, SILL & SIDE JAMB CONNECTION ANGLE INTO CONCRETE ONLY
28	1/2" X 2" HEX HEAD A307 PLATED STEEL OR S/STL BOLT	WITH FLAT WASHERS, LOCK WASHER & NUT; 1 PER EA. JAMB CONNECTION ANGLE INTO STEEL FRAME
29	3/8" X 1 7/8" SLEEVE ANCHOR WITH FLAT WASHER	RED HEAD DYNABOLT WITH MIN 1 1/2" BLOCK/CONCRETE EMBED (1 PER FRAME SUPPORT CLIP)
30	NO. 8 X 1/2" SMS SCREW	WITHIN 2" OF MULLION ENDS & MAX. 12" O.C. (MULLION CAP TO MULLION)
31	NO. 7 X 1" SMS SCREWS	2 PER FRAME CORNER THROUGH SILL/HEAD FRAME & INTO JAMB SPLINES

PRESSURE TABLE NOTES:

1. WHEN THE PANEL WIDTH IS 30" OR LESS, NO MID SPAN MULLION IS REQUIRED PROVIDING COMPLIANCE WITH THE TABLE.
2. ALL PRESSURES IN THIS TABLE ARE FOR BOTH POSITIVE & NEGATIVE WIND PRESSURE.

PRODUCT RENEWED as complying with the Florida Building Code
 Acceptance No 13-0422.12
 Expiration Date 07/27/2018
 By *[Signature]*
 Miami Dade Product Control

PRODUCT REVISED as complying with the Florida Building Code
 Acceptance No 11-1117.16
 Expiration Date 07/27/2013
 By *[Signature]*
 Miami Dade Product Control



DRAWN BY: K.P.S.	CHECKED BY: W.N.S.
PLOT: 1=1	DATE: 11/18/03
DATE	
BY	
REVISION DESCRIPTION	
NO.	

DRAWING TITLE
MODEL A220 4" LOUVER SYSTEM

CONSULTANTS
W. W. SCHAEFER ENGINEERING & CONSULTING, P.A. (CA 6809)
 7480 150TH COURT NORTH
 PALM BEACH GARDENS, FL 33418
 PHONE 561-744-3424

MANUFACTURER
AIR BALANCE INC.
 450 RIVERSIDE DRIVE
 WYALUSING, PA 18853
 570-746-1888

CERTIFICATION	NOV 08 2011
DRAWING NO.	REV.
1262	B
SHEET NO.	
7 OF 7	