

**EVALUATION REPORT OF
PETERSEN ALUMINUM CORPORATION
'TITE-LOC PLUS PANEL'
(18" WIDE, 24 GA. PANEL)**

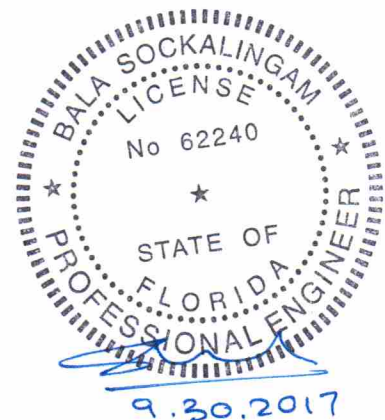
**FLORIDA BUILDING CODE 6TH EDITION (2017)
FLORIDA PRODUCT APPROVAL
FL 5562.1-R8
STRUCTURAL COMPONENTS
ROOF DECK**

**Prepared For:
Petersen Aluminum Corporation
102 Northpoint Parkway, Building 106
Acworth, GA 30102
Telephone: (800) 272-4482**

**Prepared By:
Bala Sockalingam, Ph.D., P.E.
Florida Professional Engineer #62240
1216 N Lansing Ave., Suite C
Tulsa, OK 74106
Telephone: (918) 492-5992
FAX: (866) 366-1543**

**This report consists of
Evaluation Report (2 Pages including cover)
Installation Details (1 Page)
Load Span Table (1 Page)**

**Report No. C2199-1
Date: 9.30.2017**



Manufacturer: Petersen Aluminum Corporation

Product Name: Tite-Loc Plus Panels

Panel Description: Standing seam panel with 2" high ribs. Coverage width: Maximum 18" and minimum 12".

Materials: Min. 24 ga., 50 ksi steel. Galvanized coated steel (ASTM A653) or Galvalume coated steel (ASTM A792) or painted steel (ASTM A755)

Support Description: Min. 16 ga., 50 ksi steel section. (Must be designed by others)

Slope: Minimum slope in accordance with FBC 2017 Section 1507.4.2.

Design Uplift Pressure: 31.8 psf @ clip spacing of 5' o.c.
(Factor of Safety = 2) 99.4 psf @ clip spacing of 2' o.c.

Panel Attachment: Tite-Loc Plus sliding clip with (2) #12-14 x 1" long SDS per clip.
Clip Tab: 4.313" wide, 50 ksi and 22 ga. G90 coated steel
Clip Base: 2.125" wide, 50 ksi and 16 ga. G90 coated steel

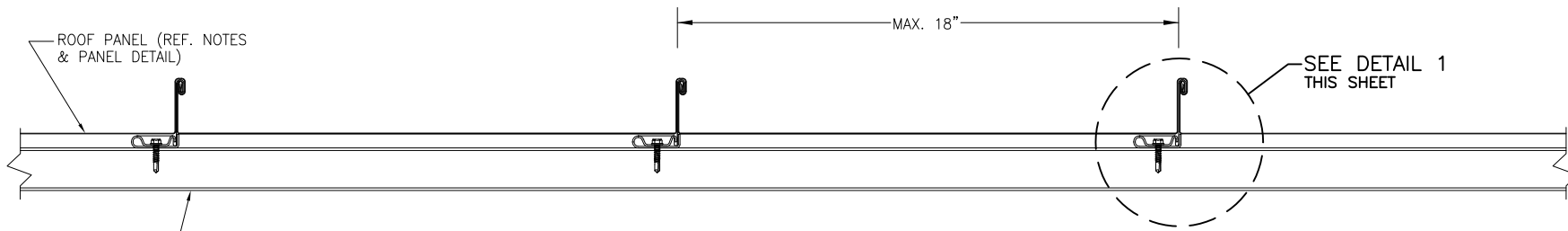
Test Standards: Roof assembly tested in accordance with ASTM E1592-01 'Test Method for Structural Performance of Sheet Metal Roof and Siding Systems by Uniform Static Air Pressure Difference'.

Test Equivalency: The test procedure in ASTM E1592-01 comply with test procedure prescribed in ASTM E1592-05(2012).

Code Compliance: The product described herein has demonstrated compliance with FBC 2017 Section 1507.4.

Product Limitations: Design wind loads shall be determined for each project in accordance with FBC 2017 Section 1609 or ASCE 7-10 using allowable stress design. The maximum clip spacing listed herein shall not be exceeded. The design pressure for reduced clip spacing may be computed using rational analysis prepared by a Florida Professional Engineer or based on Petersen Aluminum load span table. This evaluation report is not applicable in High Velocity Hurricane Zone. Fire classification is not within scope of this Evaluation Report. Refer to FBC 2017 Section 1505 and current approved roofing materials directory or ASTM E108/UL790 report from an accredited laboratory for fire ratings of this product.

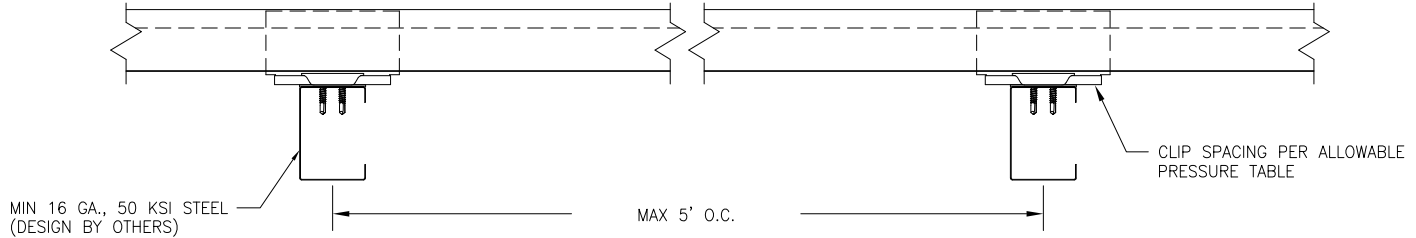
Supporting Documents: ASTM E1592 Test Report
Farabaugh Engineering and Testing Inc.
Project No. T260-02, Reporting Date 10/5/02



ROOF PANEL (REF. NOTES & PANEL DETAIL)

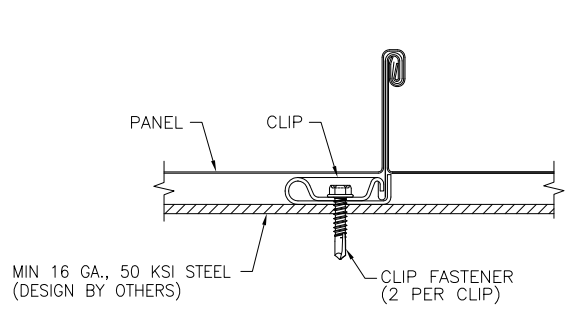
MIN 16 GA., 50 KSI STEEL (DESIGN BY OTHERS)

TYPICAL PANEL INSTALLATION X-SECTION

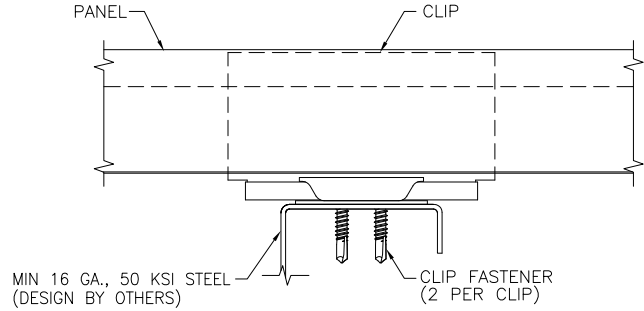


MIN 16 GA., 50 KSI STEEL (DESIGN BY OTHERS)

TYPICAL SIDE VIEW

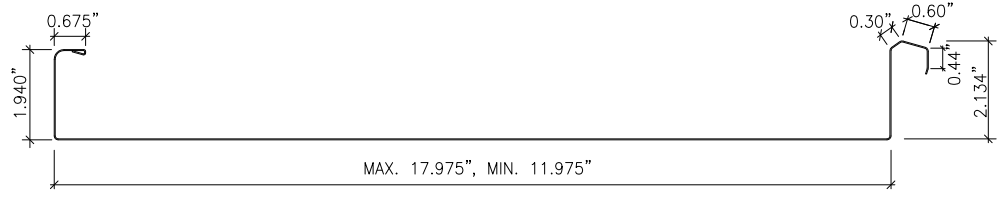


CLIP SECTION VIEW



CLIP SIDE VIEW

DETAIL 1



PANEL SECTION
(MIN 24 GA.)

GENERAL NOTES:

1. STRUCTURAL ROOF PANEL HAS BEEN DESIGNED IN ACCORDANCE WITH THE FLORIDA BUILDING CODE (FBC).
2. ROOF PANELS SHALL BE 24 GA. (t = 0.0217"). MAXIMUM COVERING WIDTH OF PANEL = 18", MINIMUM 12".
3. THE ROOF PANELS SHALL BE INSTALLED OVER STRUCTURE AS SPECIFIED ON THIS DRAWING.
4. REQUIRED DESIGN WIND LOADS SHALL BE DETERMINED FOR EACH PROJECT. THIS PANEL SYSTEM MAY NOT BE INSTALLED WHEN THE REQUIRED DESIGN WIND LOADS ARE GREATER THAN THE ALLOWABLE WIND LOADS SPECIFIED ON THIS DRAWING.
5. CLIPS AND FASTENERS MUST BE IN ACCORDANCE WITH THIS DRAWING & FLORIDA BUILDING CODE. IF A DIFFERENCE OCCURS BETWEEN THE MINIMUM REQUIREMENTS OF THIS DRAWING & THE CODE, THE CODE SHALL CONTROL.
6. PURLINS/JOISTS/TRUSSES MUST BE DESIGNED TO WITHSTAND WIND LOADS AS REQUIRED FOR EACH APPLICATION AND ARE THE RESPONSIBILITY OF OTHERS.

DRAWN BY: B.S.	CHECKED BY: S.D.
DATE: 6/19/15	
NO.	NO.
REVISION DESCRIPTION	REVISION DESCRIPTION
BY	BY
DATE	DATE
DRAWING TITLE 18" WIDE, 24 GA. TITE-LOC PLUS PANEL	
CONSULTANTS BALA SOCKALINGAM, PH.D., P.E.	
MANUFACTURER PETERSEN ALUMINUM CORPORATION	
102 NORTHPOINT PARKWAY, BUILDING 106 ACWORTH, GA 30102 800-272-4482	
1216 N LANSING AVE, SUITE C TULSA, OK 74106 PHONE: 918-492-5992 FAX: 866-366-1943	
DRAWING NO. 2199-1	REV.
PAGE NO. 1	OF 1

PETERSEN ALUMINUM CORPORATION

Tite-Loc Plus Panel

(Max. 18" wide, min. 24 ga. panel)

Description	Clip Spacing (ft)	Uplift Design Load (psf)
Coverage width:	2	99.4
Maximum 18"	2.5	88.1
Minimum 12"	3	76.9
Sliding Clip with (2)	3.5	65.6
fasteners per clip	4	54.3
	4.5	43.1
	5	31.8

Notes:

1. The bold numbers indicate design loads calculated from test data with safety factor of 2.
2. The design loads for other spans are based on linear interpolation.
3. Panels must be installed as per Evaluation Report FL 5562.1 and Petersen Aluminum current installation procedure.

