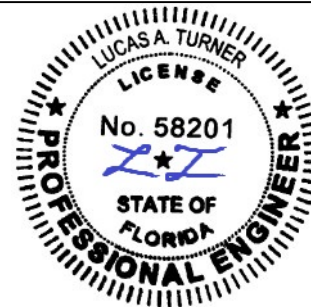


MODEL DESIGNATION: Simonton Series 11-11 2-Panel and 3-Panel Vinyl Impact Patio Door
MAXIMUM OVERALL NOMINAL SIZE: See Size Chart
DESIGN PRESSURE RATING: See Size Chart
USABLE CONFIGURATIONS: OX or XO, OXO
GENERAL DESCRIPTION: The head, sill, and side jambs are extruded PVC. The wall thickness through which the anchor screw penetrates is a minimum of 0.120".



12/06/2020
 LUCAS A. TURNER, P.E.
 FL PE # 58201
 TURNER ENGINEERING & CONSULTING, INC.
 (COA # 29779)
 2428 OLD NATCHEZ TRACE TRAIL, CAMDEN, TN 38320
 PH. 941-380-1574

REV. #:	REVISIONS:	REVISED BY:	DATE:
4	UPDATED SIZE CHART AND ANCHORS PER TESTING.	T.D.D.	02/03/12
5	UPDATED FOR MULTIPLE SUBSTRATE TYPES	L.A.T.	01/31/15
6	ADDED 2 PANEL OPTION.	LMH	05/14/18
7	UPDATED FOR 7TH EDITION 2020 FBC.	LMH	12/06/20

NOTES:

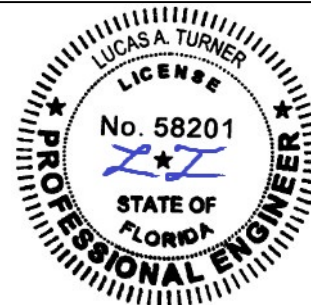
1. THIS INSTALLATION HAS BEEN EVALUATED FOR USE IN LOCATIONS ADHERING TO THE TEXAS & FLORIDA BUILDING CODES AND WHERE PRESSURE REQUIREMENTS AS DETERMINED BY ASCE 7 MINIMUM DESIGN LOADS FOR BUILDINGS AND OTHER STRUCTURES DO NOT EXCEED THE DESIGN PRESSURE RATINGS HEREIN, FOR USE OUTSIDE THE H.V.H.Z.
2. ALL INTERIOR AND EXTERIOR PERIMETER SURFACES OF THE WINDOW MUST BE CAULKED.
3. ANCHOR TYPE, SIZE, SPACING, AND EMBEDMENT SHALL BE AS SPECIFIED IN THESE DRAWINGS.
4. ANCHOR EMBEDMENT TO SUBSTRATE SHALL BE BEYOND WALL DRESSING OR STUCCO. FOR CONCRETE/CMU OPENINGS EMBEDMENT SHALL BE BEYOND WOOD BUCKS, IF USED, AND INTO SUBSTRATE. INSTALLATIONS TO SOLID CONCRETE OR GROUT-FILLED CMU MAY INCLUDE BUT DO NOT REQUIRE 1X WOOD BUCKS BETWEEN PRODUCT AND SUBSTRATE. INSTALLATIONS TO HOLLOW CMU REQUIRE THE USE OF 1X BUCKS BETWEEN PRODUCT AND SUBSTRATE.
5. WOOD OR MASONRY OPENINGS, BUCKS, AND BUCK FASTENERS, BY OTHERS, SHALL BE PROPERLY DESIGNED AND INSTALLED TO TRANSFER WIND LOADS TO THE STRUCTURE. SUBSTRATES SHALL MEET THE MINIMUM STRENGTH REQUIREMENTS AS SHOWN IN TABLE 1, THIS SHEET. CONCRETE OR MASONRY SUBSTRATES SHALL NOT BE CRACKED.
6. THE RESPONSIBILITY FOR SELECTION OF SIMONTON PRODUCTS TO MEET ANY APPLICABLE LOCAL LAWS, BUILDING CODES, ORDINANCES, OR OTHER SAFETY REQUIREMENTS RESTS SOLELY WITH THE ARCHITECT, BUILDING OWNER, OR CONTRACTOR.
7. SHIMS ARE REQUIRED WHERE GAPS OF GREATER THAN 1/16" EXIST BETWEEN OPENING AND FRAME. MAX. SHIM STACK IS 1/4". SHIMS SHALL BE LOAD-BEARING AND CAPABLE OF TRANSFERRING LOADS TO THE SUBSTRATE.
8. WHEN USED IN AREAS REQUIRING IMPACT PROTECTION, THIS PRODUCT DOES NOT REQUIRE THE USE OF APPROVED IMPACT RESISTANT SHUTTERS OR OTHER EXTERNAL PROTECTION.
9. SEALING AND FLASHING BY OTHERS SHOULD BE APPLIED USING THE ASTM E 2112 METHODOLOGY APPROPRIATE FOR THE OPENING INTO WHICH THE DOOR IS BEING INSTALLED. OVERALL WATER PENETRATION RESISTANCE OF THE INSTALLED PRODUCT IS THE RESPONSIBILITY OF OTHERS.
10. GLAZING SHALL COMPLY WITH ASTM E 1300.
11. FOR INSTALLATION TO METAL SUBSTRATES, ANCHORS SHALL BE LONG ENOUGH TO BE FULLY THREADED THROUGH THE METAL THICKNESS WITH AN ADDITIONAL 3/16" MIN. OF THREADS BEYOND.
12. A MINIMUM CENTER-TO-CENTER SPACING OF 3" SHALL BE MAINTAINED BETWEEN ALL ELCO ULTRACONS IN ANY DIRECTION.
13. ALL FASTENERS PENETRATING INTO PRESSURE TREATED WOOD SHALL BE CAPABLE OF PREVENTING CORROSION DUE TO REACTION WITH PRESSURE TREATMENT CHEMICALS. ANY DISSIMILAR MATERIALS THAT COME INTO CONTACT SHALL BE PROTECTED TO PREVENT REACTIONS IN ACCORDANCE WITH CODE REQUIREMENTS.
14. A WIND LOAD DURATION FACTOR Cd = 1.6 WAS USED FOR THE ANALYSIS OF WOOD SCREWS ONLY.
15. WINDOWS SHALL BE CONSTRUCTED AS SPECIFIED IN TEST REPORTS C0842.01-109-47-RI, C0843.01-109-47-R0, C3517.01-501-47-R0, C4265.01-109-47-R0, C6573.01-109-47-R0, C6575.01-109-47-R0, BY ARCHITECTURAL TESTING, INC., AND ESP010622P-5 AND ESP010622P-6, BY ELEMENT MATERIALS TECHNOLOGY
16. DESIGNATION "X" IS FOR OPERABLE PANEL AND "O" IS FOR FIXED PANEL.
17. USE A BACKER ROD ON ALL JOINTS >3/4" DEEP AND/OR WIDER THAN 1/4". FINISHED CAULK JOINT SHOULD BE A MINIMUM OF 3/8" DEEP.

SIZE CHART		
OVERALL SIZE		DP RATING
WIDTH "W"	HEIGHT "H"	
2-PANEL IMPACT PD		
71"	79"	±50 PSF
95"	79"	
71"	95"	
95"	95"	
3-PANEL IMPACT PD		
107"	79"	±50 PSF
143"	79"	
107"	95"	
143"	95"	

TABLE 1: INSTALLATION FASTENERS TABLE

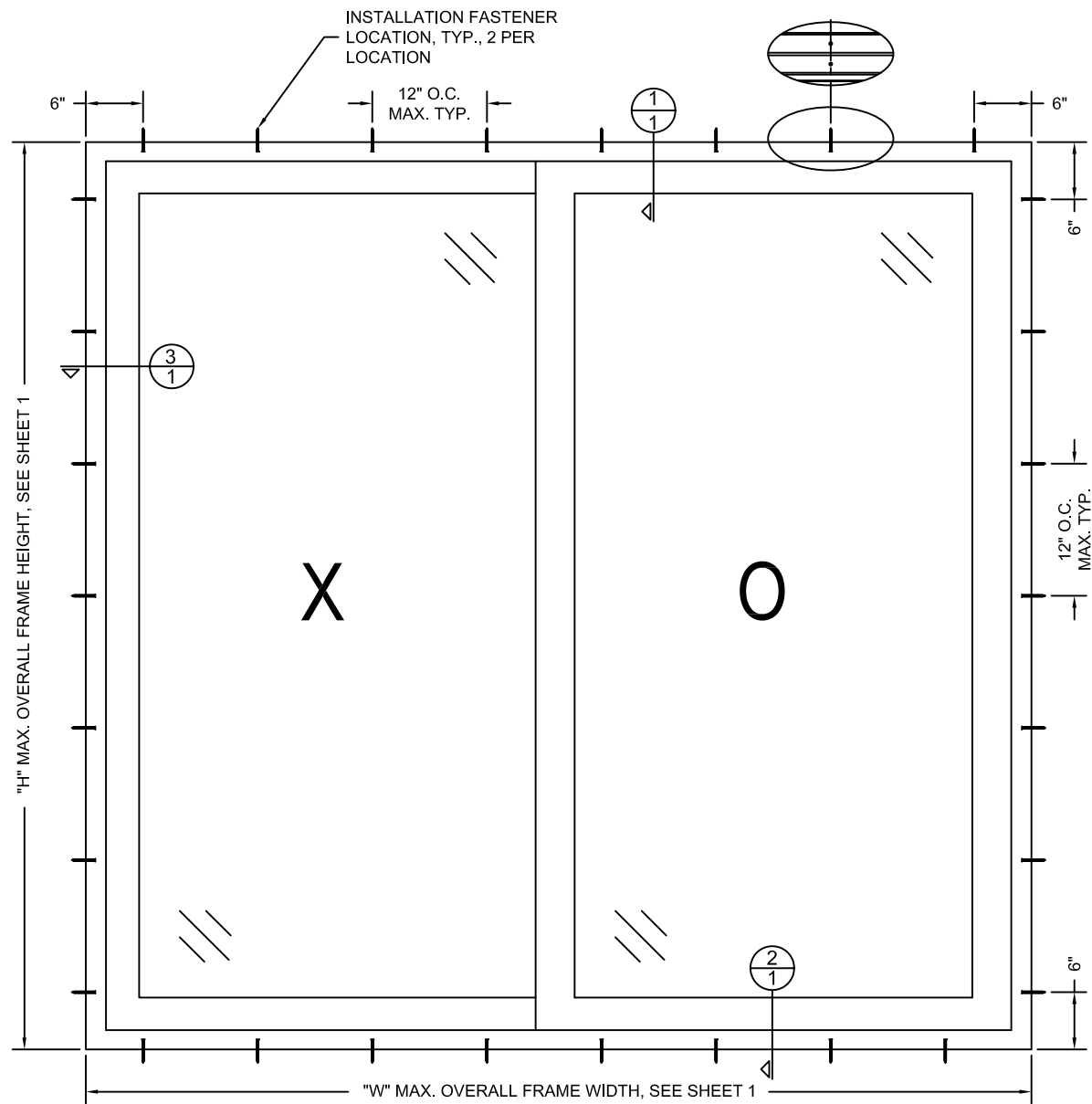
ID	SUBSTRATE TYPE	ANCHOR TYPE	MIN. EMBED	MIN. EDGE DISTANCE
A	CONCRETE (2 KSI MIN.)	3/16" ITW TAPCON	1-1/2"	1-1/8"
B	HOLLOW OR GROUT-FILLED CMU (117 PCF MIN.)	3/16" ITW TAPCON	1"	2"
C	2X MIN. SOUTHERN PINE WOOD (G=0.55)	3/16" ITW TAPCON	1-3/8"	7/8"
D	2X MIN. SOUTHERN PINE WOOD (G=0.55)	#12 WOOD SCREW	1-3/8"	7/8"
E	16 GAUGE (0.060") MIN. STEEL STUD, 33KSI YIELD MIN.	#12-16 ITW TEKS SELF-DRILLING SCREW	FULL THREAD	1/2"
F	1/8" ALUM. 6063-T5 MIN. OR 1/8" STEEL 36 KSI MIN.	#12 GRADE 5 SELF-TAPPING/DRILLING SCREW	FULL THREAD	1/2"

<p style="text-align: center;">DISCLOSURE STATEMENT</p> <p>This document is the property of Simonton Windows, which retains all proprietary and other rights to its subject matter. This document is provided to the recipient on the expressed condition that it is not to be disclosed, reproduced in whole or part, nor used in conjunction with the design, manufacture or repair of goods for anyone other than Simonton Windows without its consent. This restriction does not limit the recipient's rights to utilize information contained in this document which is properly obtained from another source.</p> <p>FILE: FL 5979</p>	MATERIAL:	<p style="text-align: center;">Dimensional Tolerances Unless Otherwise Specified</p> <p>Decimals Angles</p> <p>.X ± .03 .XX ± .01 .XXX ± .005</p> <p>0° 30 min.</p>	<p>1 Cochrane Avenue Pennsboro, WV 26415</p>	SIZE: B	DRAWING NO.: IN0371	REV.: 6
	RMS FINISH: EXCEPT AS NOTED			DRAWN BY: T.D.D.	DATE: 11/14/08	
	ALLOY & TEMPER:			CHECKED BY:	DATE:	
	WEIGHT: VOLUME:			APPR'V'D BY:	DATE:	
	SURFACE AREA: PERIMETER:			SCALE: FIT	SHEET: 1 of 3	
FINISH TREATMENT:	SERIES: 11-11 2-PANEL & 3-PANEL IMPACT PATIO DOOR TITLE: NOTES, INSTALL ANCHOR TABLE & SIZE CHART					

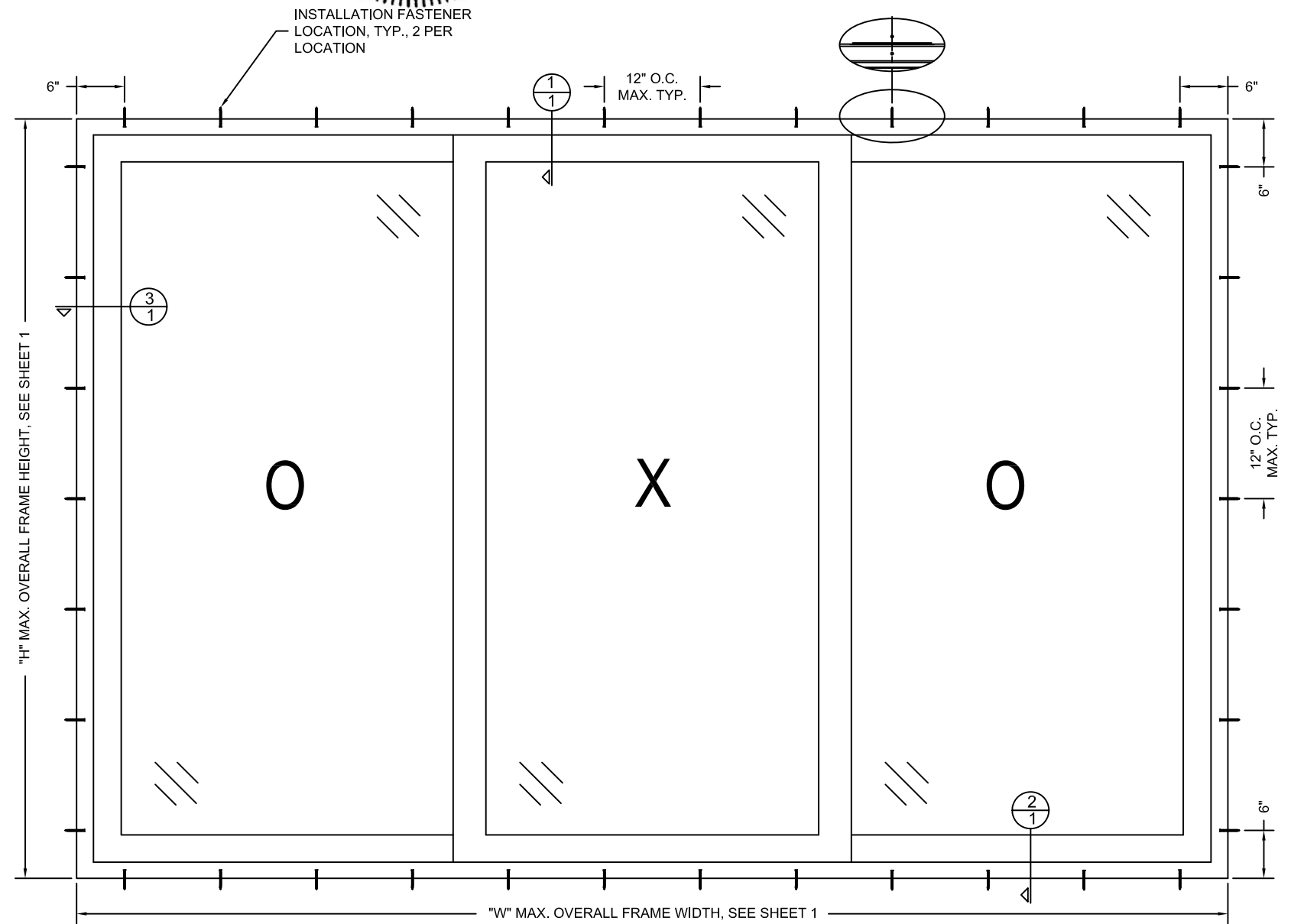


12/06/2020
 LUCAS A. TURNER, P.E.
 FL PE # 58201
 TURNER ENGINEERING &
 CONSULTING, INC.
 (COA # 29779)
 2428 OLD NATCHEZ TRACE
 TRAIL, CAMDEN, TN 38320
 PH. 941-380-1574

REV. #:	REVISIONS:	REVISED BY:	DATE:
4	UPDATED SIZE CHART AND ANCHORS PER TESTING.	T.D.D.	02/03/12
5	UPDATED FOR MULTIPLE SUBSTRATE TYPES	L.A.T.	01/31/15
6	ADDED 2 PANEL OPTION.	LMH	05/14/18
7	UPDATED FOR 7TH EDITION 2020 FBC.	LMH	12/06/20



2-PANEL IMPACT PATIO DOOR ELEVATION & ANCHOR PATTERN



3-PANEL IMPACT PATIO DOOR ELEVATION & ANCHOR PATTERN

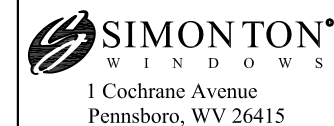
DISCLOSURE STATEMENT
 This document is the property of Simonton Windows, which retains all proprietary and other rights to its subject matter. This document is provided to the recipient on the expressed condition that it is not to be disclosed, reproduced in whole or part, nor used in conjunction with the design, manufacture or repair of goods for anyone other than Simonton Windows without its consent. This restriction does not limit the recipient's rights to utilize information contained in this document which is properly obtained from another source.

FILE: FL 5979

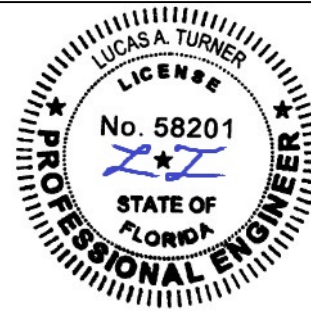
MATERIAL:	
RMS FINISH:	EXCEPT AS NOTED
ALLOY & TEMPER:	
WEIGHT:	VOLUME:
SURFACE AREA:	PERIMETER:
FINISH TREATMENT:	

Dimensional Tolerances
 Unless Otherwise Specified

Decimals	Angles
.X ± .03	0° 30 min.
.XX ± .01	
.XXX ± .005	

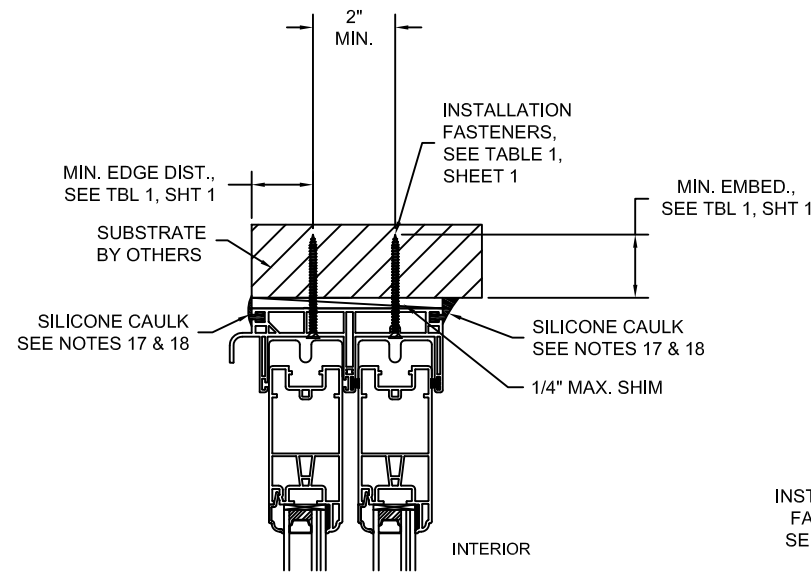


SIZE: B	DRAWING NO.: IN0371	REV.: 7
DRAWN BY: T.D.D.	DATE: 11/14/08	
CHECKED BY:	DATE:	
SCALE: FIT	SHEET: 2 of 3	APPR'V'D BY: DATE:
SERIES: 11-11 2-PANEL & 3-PANEL IMPACT PATIO DOOR		
TITLE: ELEVATION & ANCHOR PATTERN		

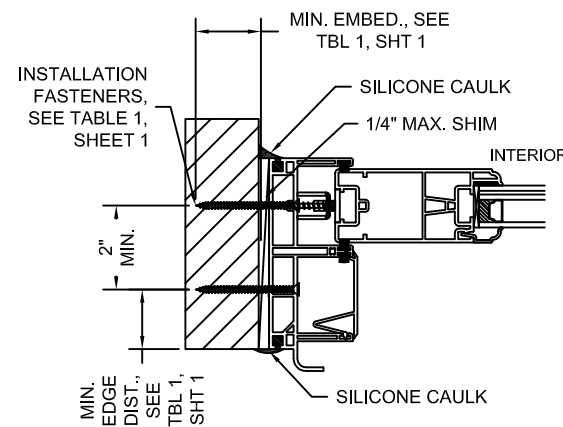


12/06/2020
 LUCAS A. TURNER, P.E.
 FL PE # 58201
 TURNER ENGINEERING &
 CONSULTING, INC.
 (COA # 29779)
 2428 OLD NATCHEZ TRACE
 TRAIL, CAMDEN, TN 38320
 PH. 941-380-1574

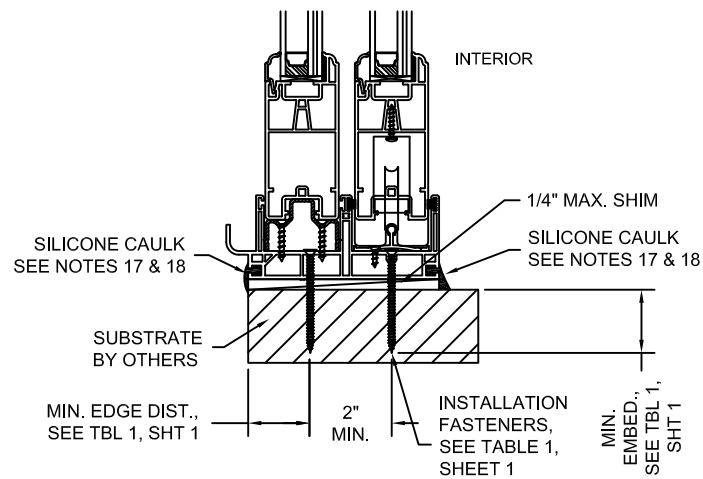
REV. #:	REVISIONS:	REVISED BY:	DATE:
4	UPDATED SIZE CHART AND ANCHORS PER TESTING.	T.D.D.	02/03/12
5	UPDATED FOR MULTIPLE SUBSTRATE TYPES	L.A.T.	01/31/15
6	ADDED 2 PANEL OPTION.	LMH	05/14/18
7	UPDATED FOR 7TH EDITION 2020 FBC.	LMH	12/06/20



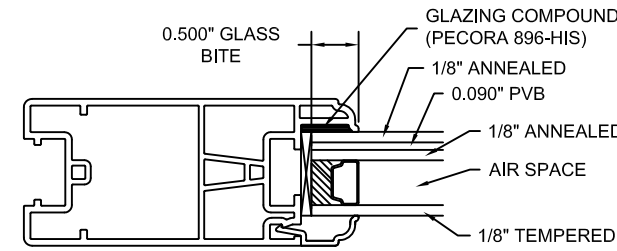
1 HEAD



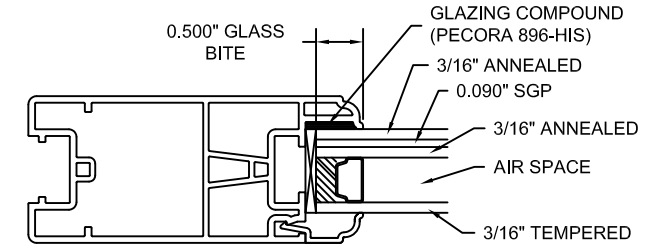
3 JAMB



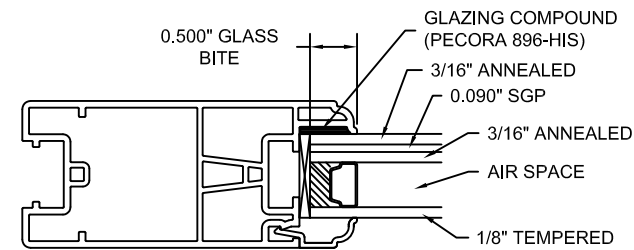
2 SILL



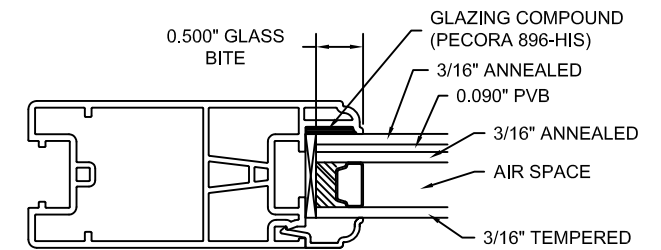
1" INSULATED TEMPERED/ANNEALED IMPACT GLASS
 WITH 0.090" PVB INTERLAYER (107" X 79" DOOR)
 WITH 0.090" PVB INTERLAYER (71" X 79" DOOR)



1" INSULATED TEMPERED/ANNEALED IMPACT GLASS
 WITH 0.090" SGP INTERLAYER (143" X 95" DOOR)
 WITH 0.090" SGP INTERLAYER (95" X 95" DOOR)



1" INSULATED TEMPERED/ANNEALED IMPACT GLASS
 WITH 0.090" SGP INTERLAYER (143" X 79" DOOR)
 WITH 0.090" SGP INTERLAYER (95" X 79" DOOR)



1" INSULATED TEMPERED/ANNEALED IMPACT GLASS
 WITH 0.090" PVB INTERLAYER (107" X 95" DOOR)
 WITH 0.090" PVB INTERLAYER (71" X 95" DOOR)

DISCLOSURE STATEMENT
 This document is the property of Simonton Windows, which retains all proprietary and other rights to its subject matter. This document is provided to the recipient on the expressed condition that it is not to be disclosed, reproduced in whole or part, nor used in conjunction with the design, manufacture or repair of goods for anyone other than Simonton Windows without its consent. This restriction does not limit the recipient's rights to utilize information contained in this document which is properly obtained from another source.

FILE: FL 5979

MATERIAL:	
RMS FINISH:	EXCEPT AS NOTED
ALLOY & TEMPER:	
WEIGHT:	VOLUME:
SURFACE AREA:	PERIMETER:
FINISH TREATMENT:	

Dimensional Tolerances Unless Otherwise Specified	
Decimals	Angles
.X ± .03	0° 30 min.
.XX ± .01	
.XXX ± .005	

SIMONTON
 WINDOWS
 1 Cochrane Avenue
 Pennsboro, WV 26415

SIZE: B	DRAWING NO.: IN0371	REV.: 6
DRAWN BY: T.D.D.	DATE: 11/14/08	
CHECKED BY:	DATE:	
SCALE: FIT	SHEET: 3 of 3	APPR'V'D BY: DATE:
SERIES: 11-11 2-PANEL & 3-PANEL IMPACT PATIO DOOR		
TITLE: CROSS SECTIONS & GLAZING DETAILS		