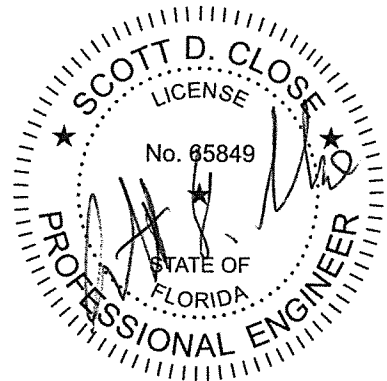




PBR Roof / Wall Installation Instructions



May 4, 2020

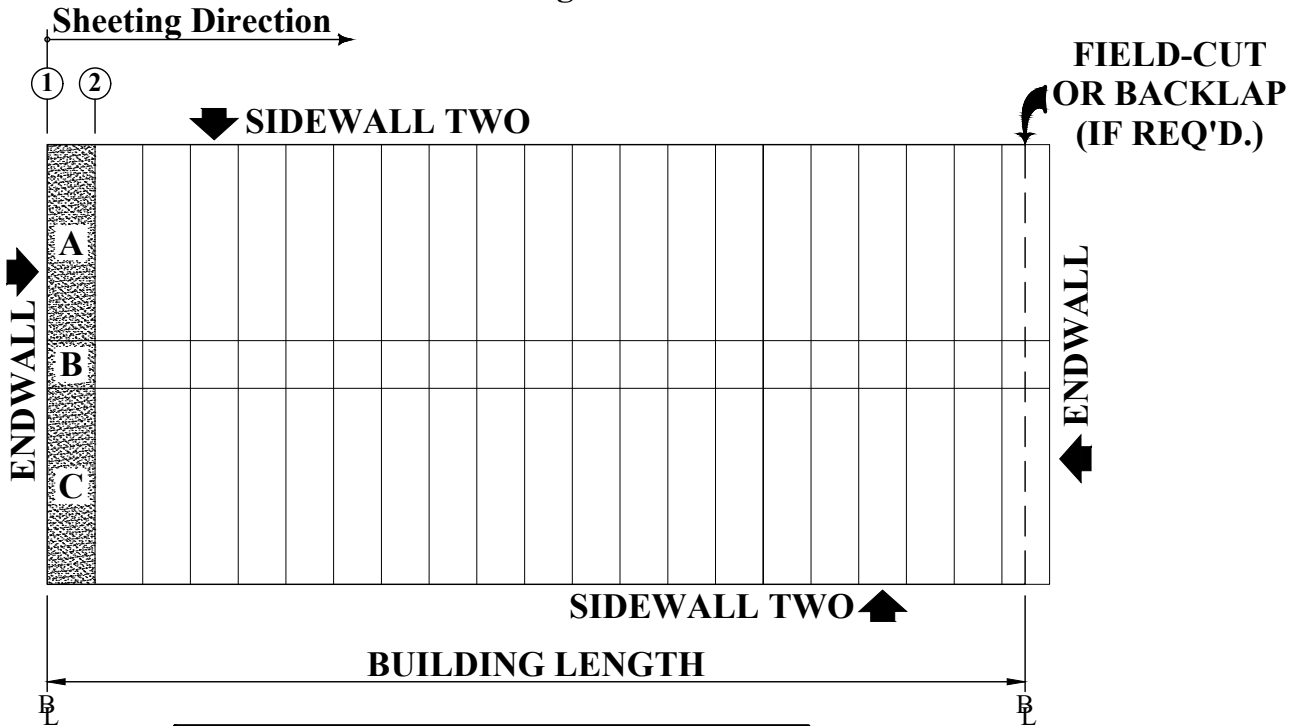
2812 Tallevast Road, Sarasota, Florida 34243 * Phone (941) 755-7073 * Fax (941) 755-3067
Website: www.tridentbuildingsystems.com
Florida License CGC059531



PBR INSTALLATION / ROOF PANELS

IMPORTANT NOTE:

For buildings having roof extensions, canopies, Lean-To's, eave trim, flange back gutter, etc... Wall sheeting must be installed before roof sheets to allow for working clearances.



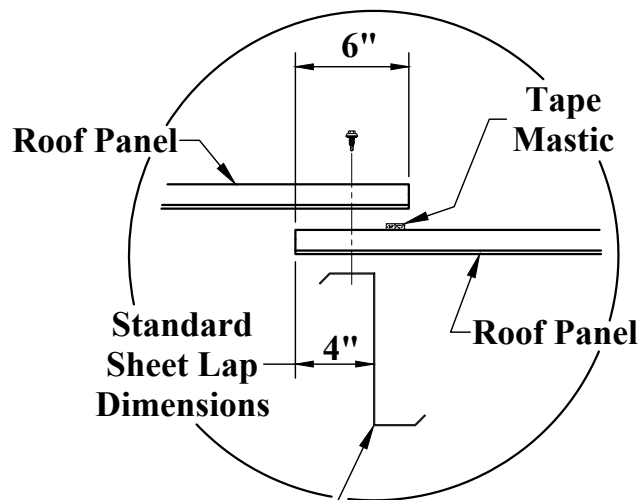
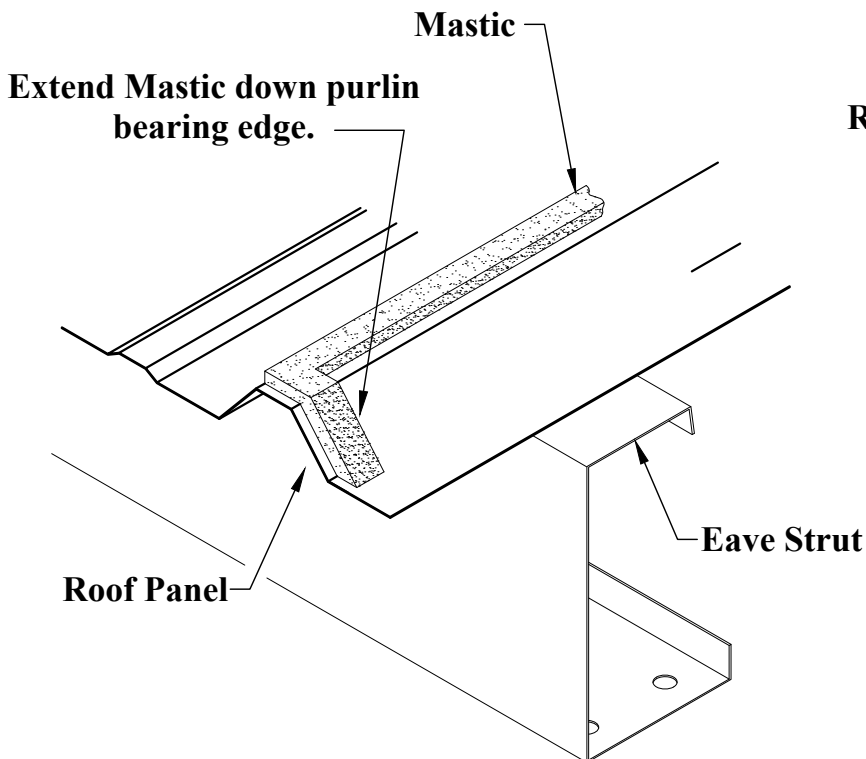
IMPORTANT NOTE:

Always check to see if building requires insulation before sheeting.

NOTES

1. (A) & (C) Denote PBR Roof Shts. (B) Denotes Ridge Cap.
2. Line (1) is the location of the lap rib and line (2) represents the purlin bearing rib of panels (A) & (C) and cap (B).
3. Locate the center of the lap rib exactly over $\frac{L}{2}$ - attach panels (A) & (C), then attach cap (B).
4. Each side of roof and the ridge cap must be installed with each other to insure correct alignment.
5. Refer to different sections of this manual for details relating to eave alignment of roof panels, mastic application, fastener types and spacing and building accessories located on roof.
6. All damaged paint finishes must be retouched to prevent rusting.
7. In the event a screw is installed in the wrong location or should a screw break during the driving process, remove the screw and install one of a larger diameter to prevent leaking. If removal of a screw remnant is not possible, water proofing measures are to be taken to ensure water tightness.
8. Concentrated heavy loads (personnel or materials) occurring on roof during construction shall be distributed uniformly over a large area in such a manner as to prevent damage to building components.
9. All metal shaving occurring as a result of drilling operations on the roof are to be removed in such a manner as to prevent damage or staining of roof finish.

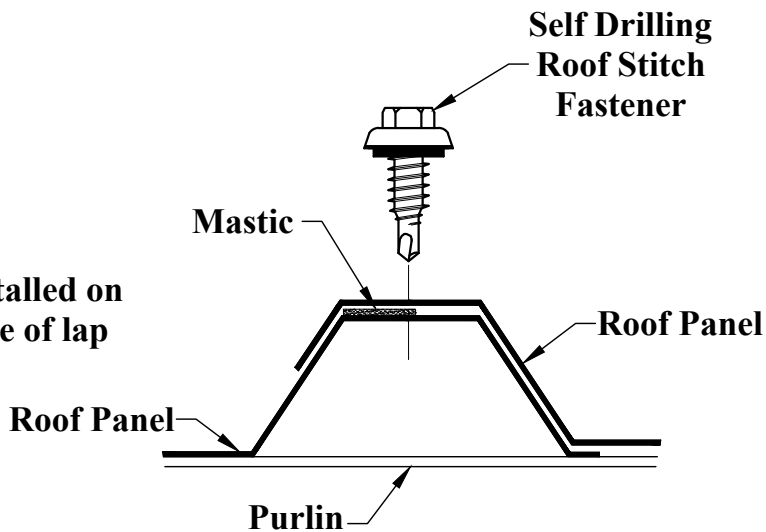
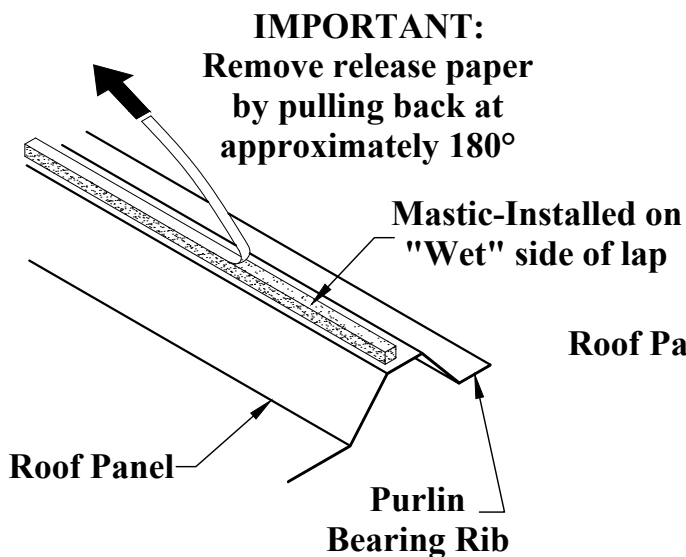
INSTALLATION PROCEDURE TAPE MASTIC



END LAP DETAIL
Install Mastic at end lap edges as shown
(All roof sheet end laps)

MASTIC DETAIL AT EAVE STRUT

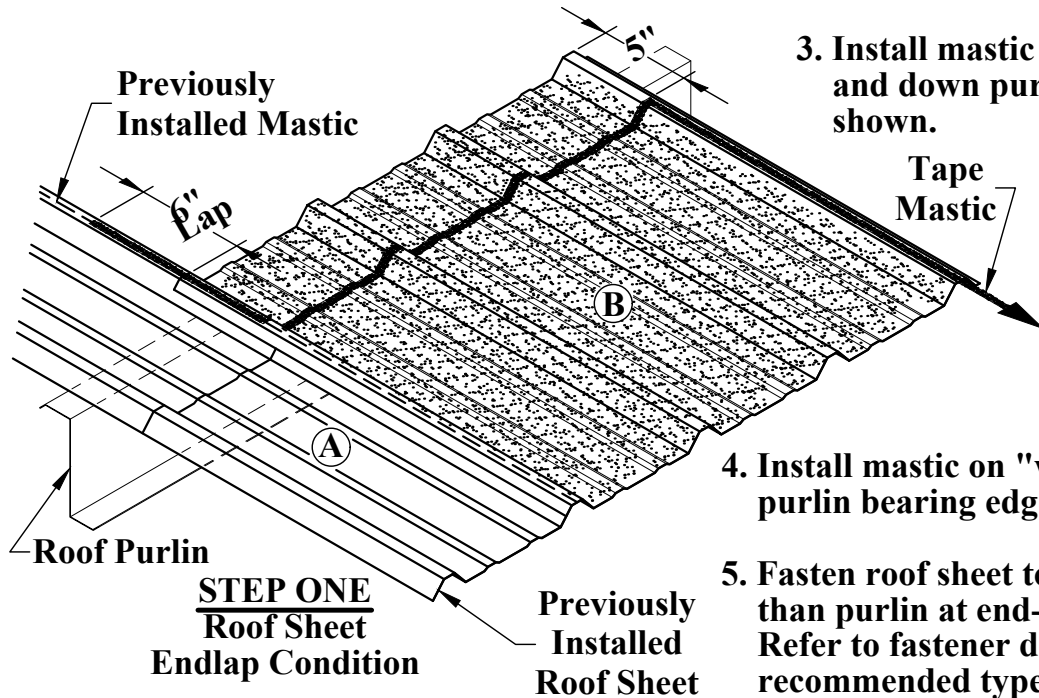
Install Mastic on purlin bearing rib of roof sheet (prior to installing next roof sheet), Apply pressure over entire area to obtain adhesion.



RIB LAP DETAIL (Single Lap Condition)

MASTIC & SHEETING INSTALLATION / ROOF

1. Position roof sheet "A" lap rib over previously installed roof sheet purlin-bearing edge. Use standard lap dimensions.
2. Start tape mastic approx. 6" up adjacent sheet overlapping previously installed mastic.



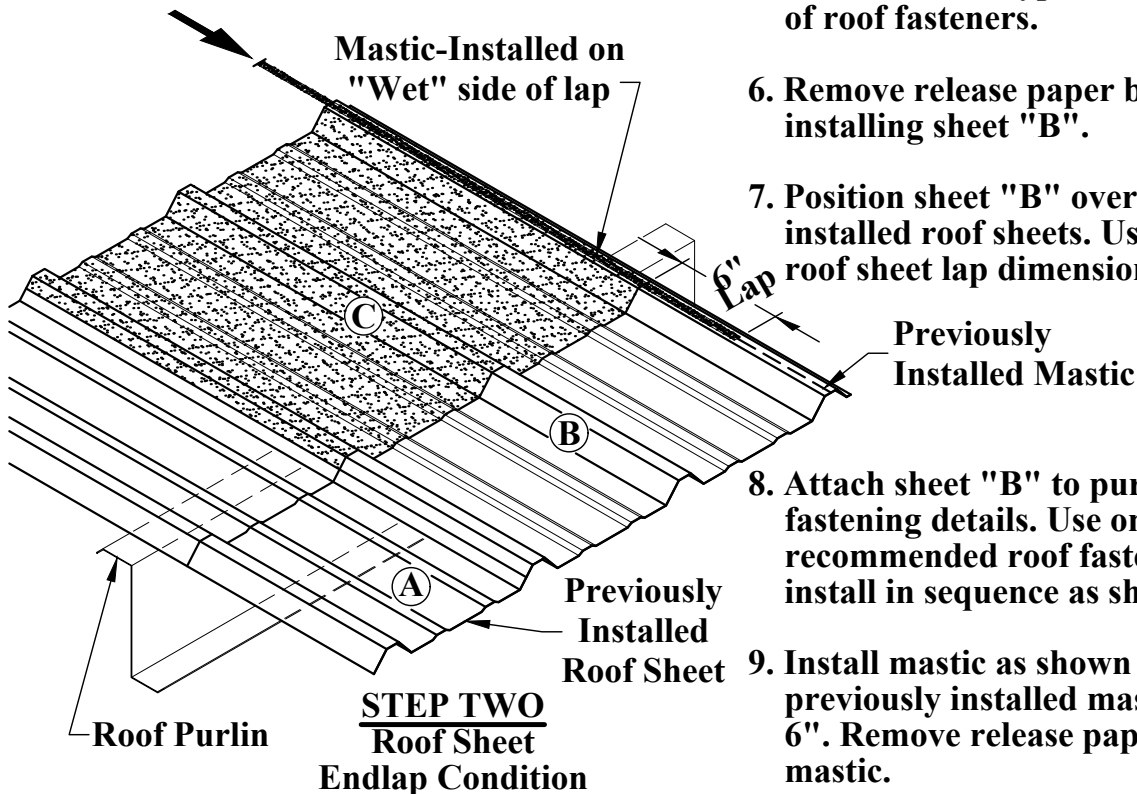
3. Install mastic across roof sheet and down purlin bearing rib as shown.

4. Install mastic on "wet" side of purlin bearing edge as shown.

5. Fasten roof sheet to purlins other than purlin at end-lap condition. Refer to fastener details for recommended types and placement of roof fasteners.

6. Remove release paper before installing sheet "B".

7. Position sheet "B" over previously installed roof sheets. Use standard roof sheet lap dimensions.



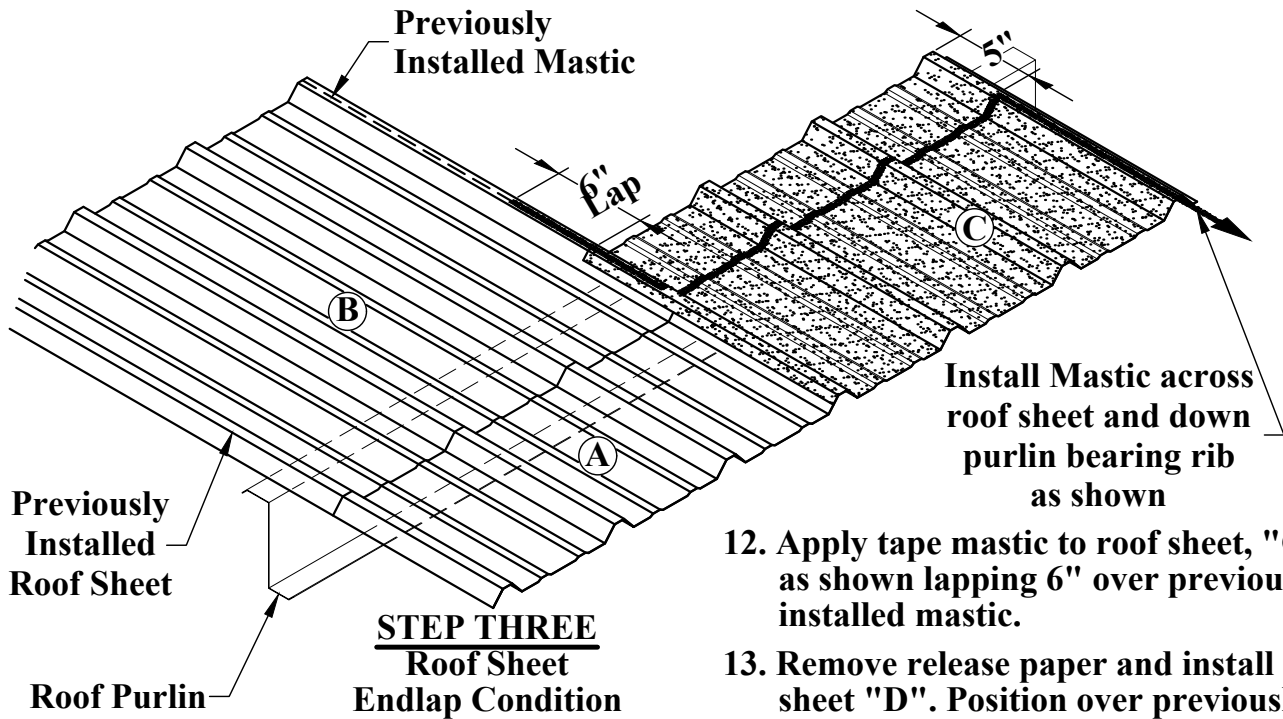
8. Attach sheet "B" to purlins per fastening details. Use only recommended roof fasteners and install in sequence as shown.

9. Install mastic as shown lapping previously installed mastic Approx, 6". Remove release paper from mastic.

MASTIC & SHEETING INSTALLATION / ROOF

10. Position roof sheet "C" over previously installed roof sheets as shown. Maintain standard lap dimensions.

11. Fasten roof sheet to purlins other than purlins at end lap condition. Refer to Fastener details for recommended fastener types and placement.

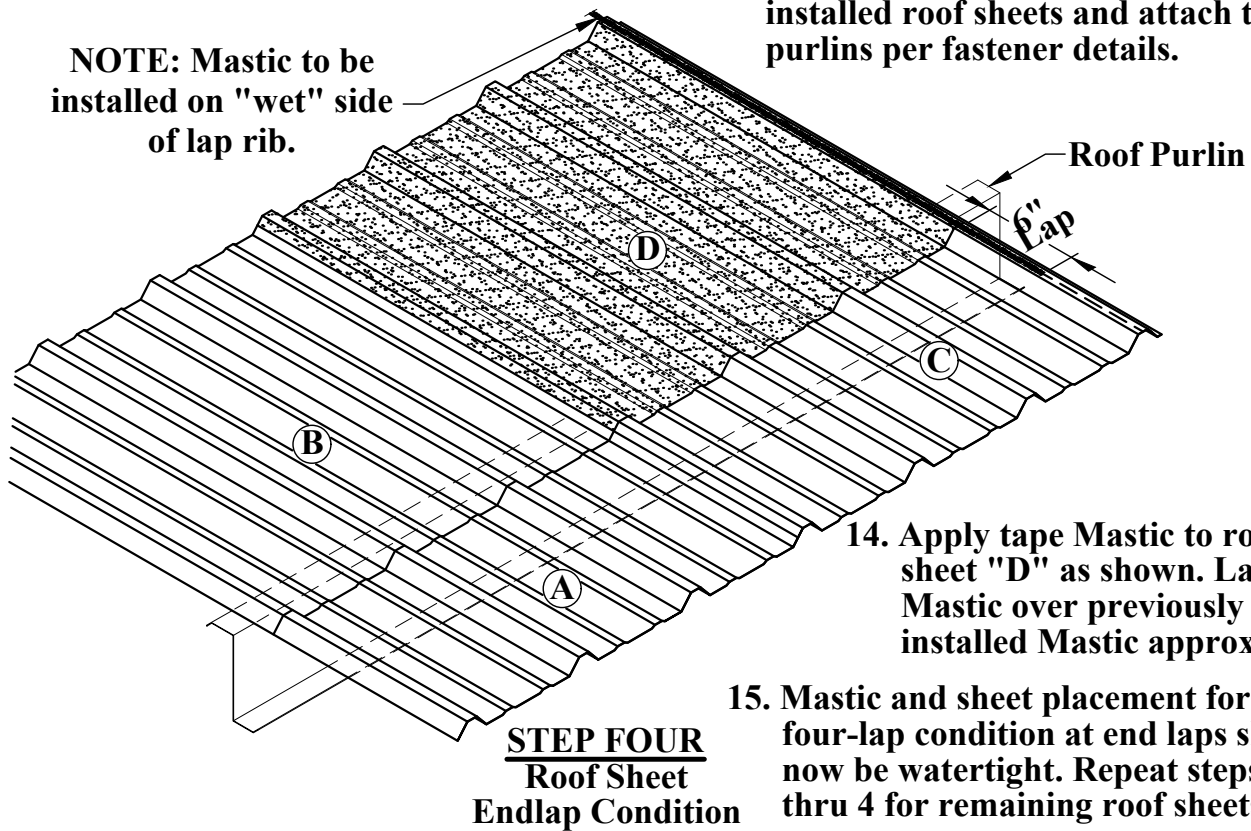


Install Mastic across roof sheet and down purlin bearing rib as shown

12. Apply tape mastic to roof sheet, "C" as shown lapping 6" over previously installed mastic.

13. Remove release paper and install sheet "D". Position over previously installed roof sheets and attach to purlins per fastener details.

NOTE: Mastic to be installed on "wet" side of lap rib.

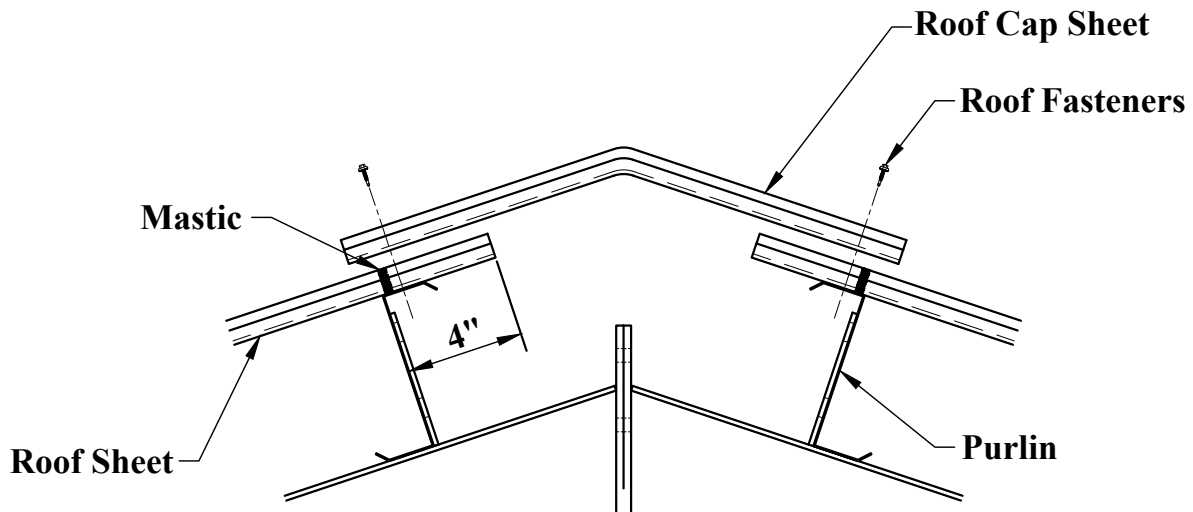
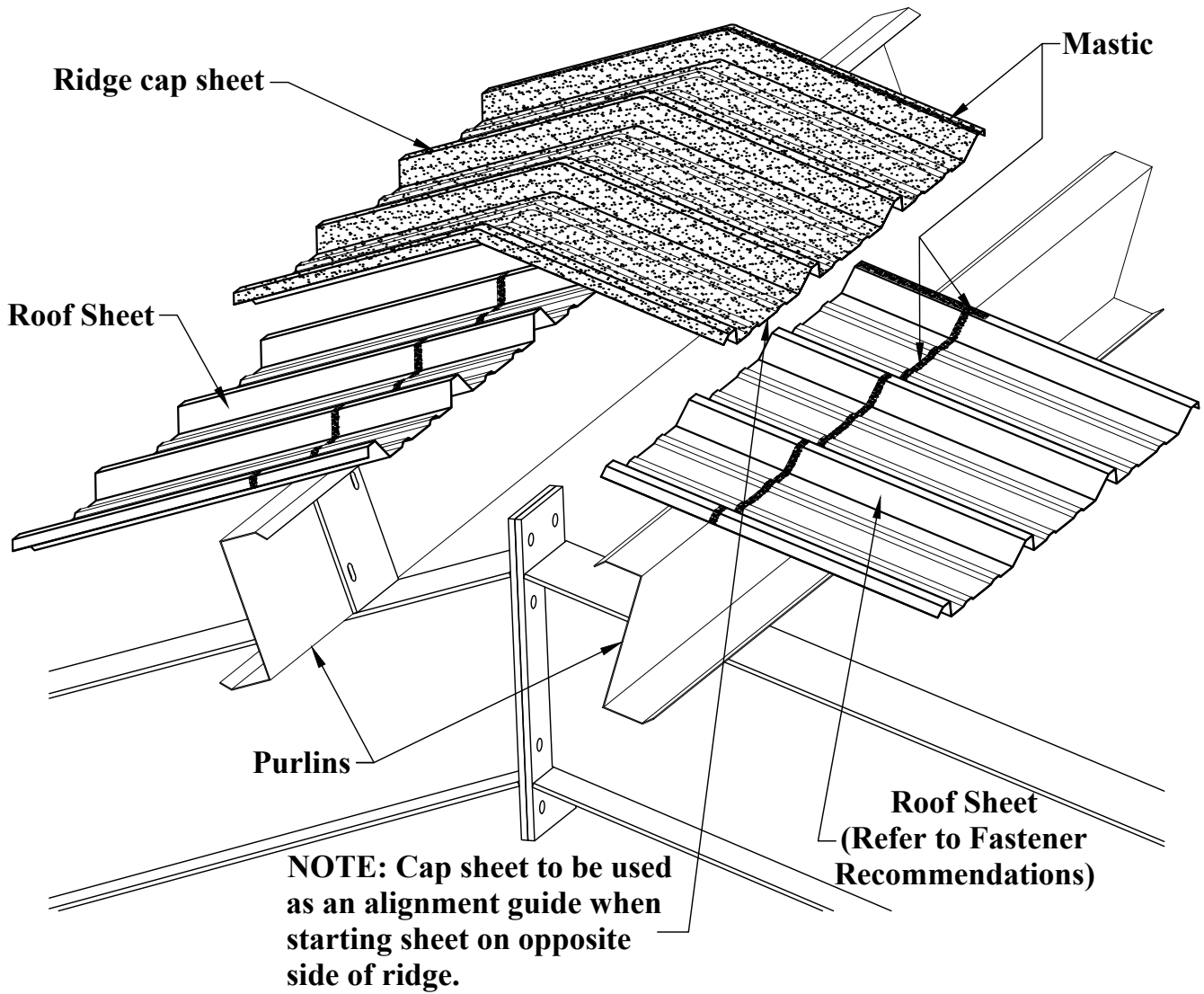


14. Apply tape Mastic to roof sheet "D" as shown. Lap Mastic over previously installed Mastic approx. "6"

15. Mastic and sheet placement for four-lap condition at end laps should now be watertight. Repeat steps 1 thru 4 for remaining roof sheets.

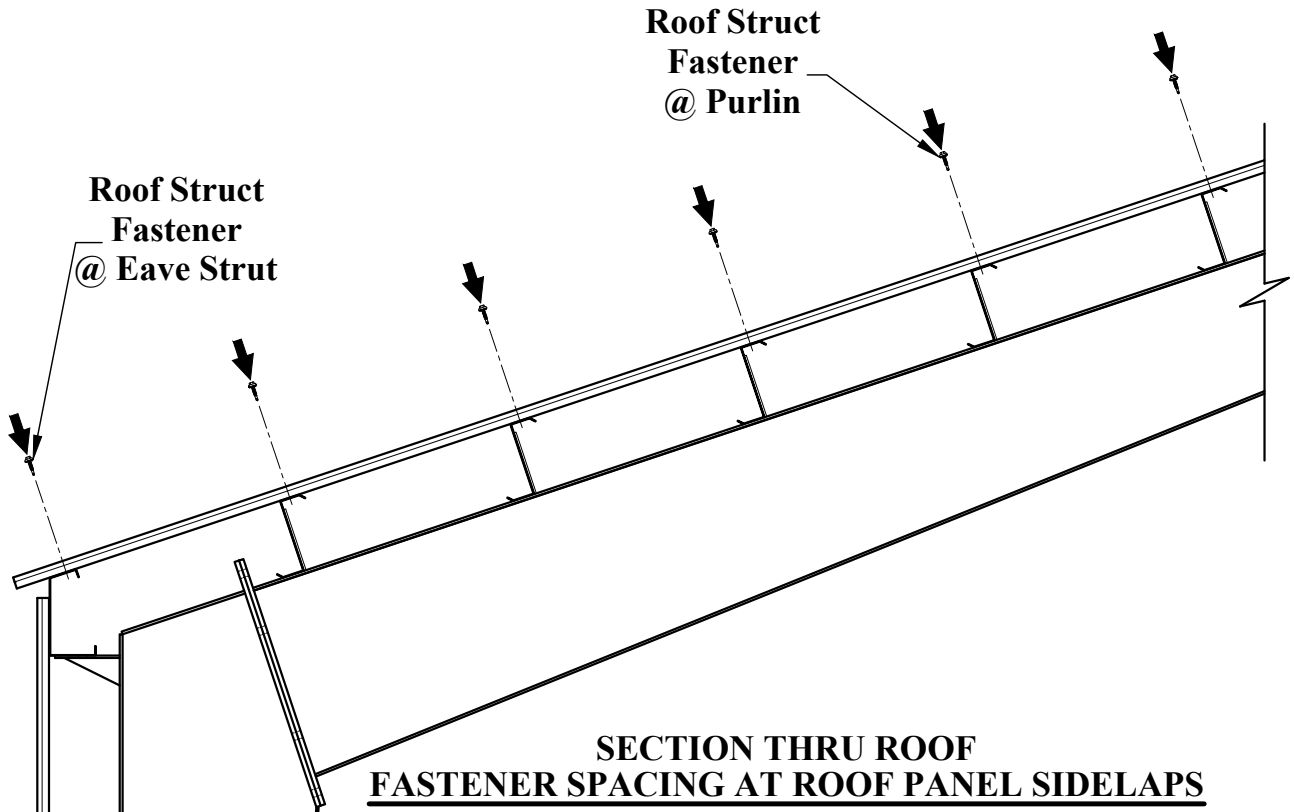
INSTALLATION PROCEDURE

RIDGE CAP SHEET

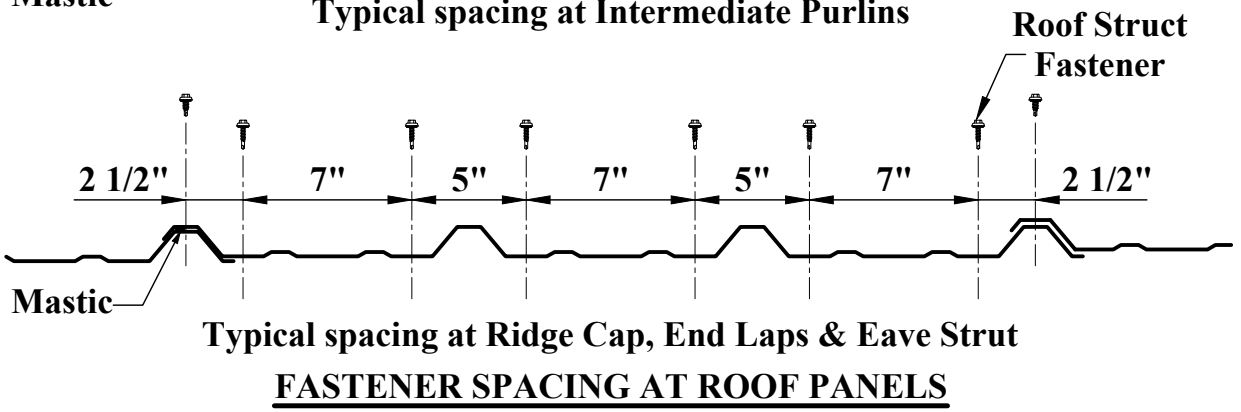
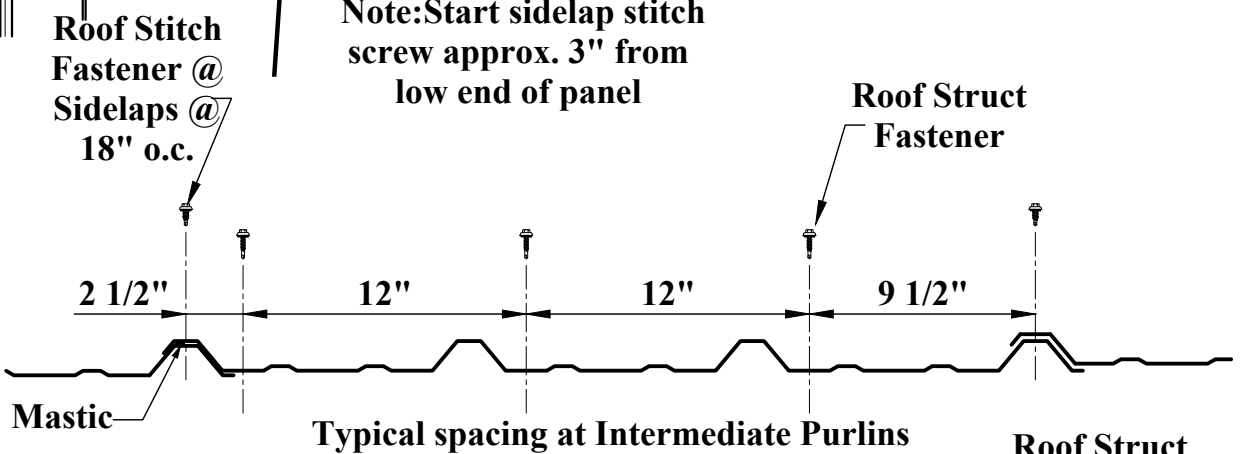


SECTION THRU RIDGE

FASTENER APPLICATION ON ROOF T.B.S. STANDARD ROOF CONSTRUCTION



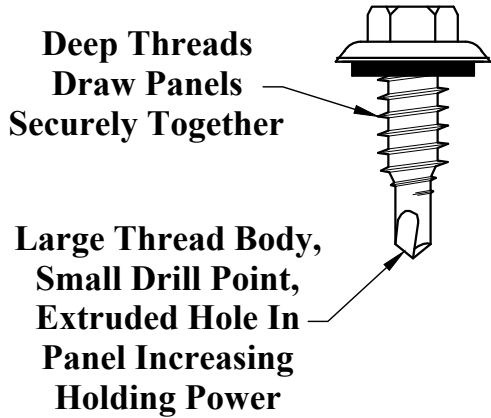
**Note: Start sidelap stitch
screw approx. 3" from
low end of panel**



STANDARD WALL FASTENERS

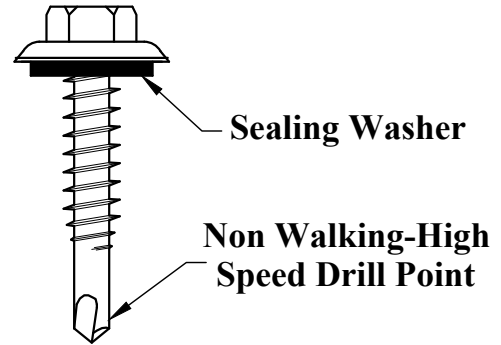
Wall Stitch

1/4-14 x 7/8"
Self-Drilling
Fastener

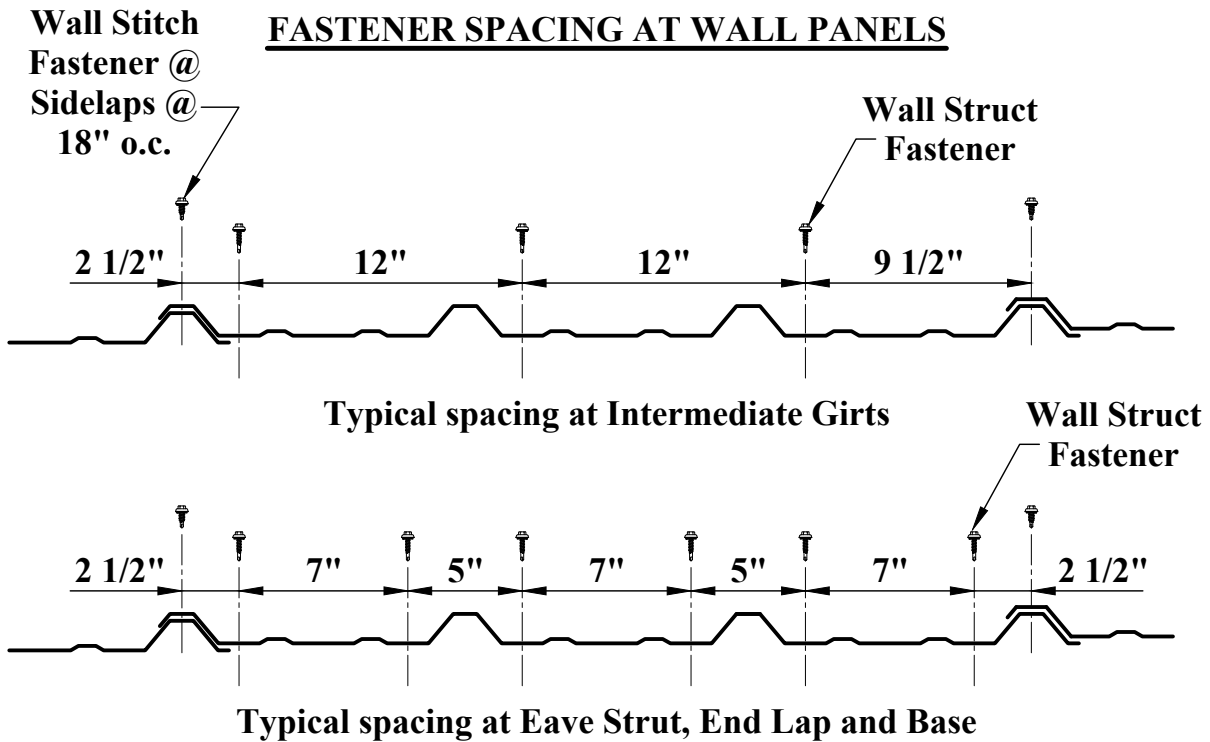


Wall Struct

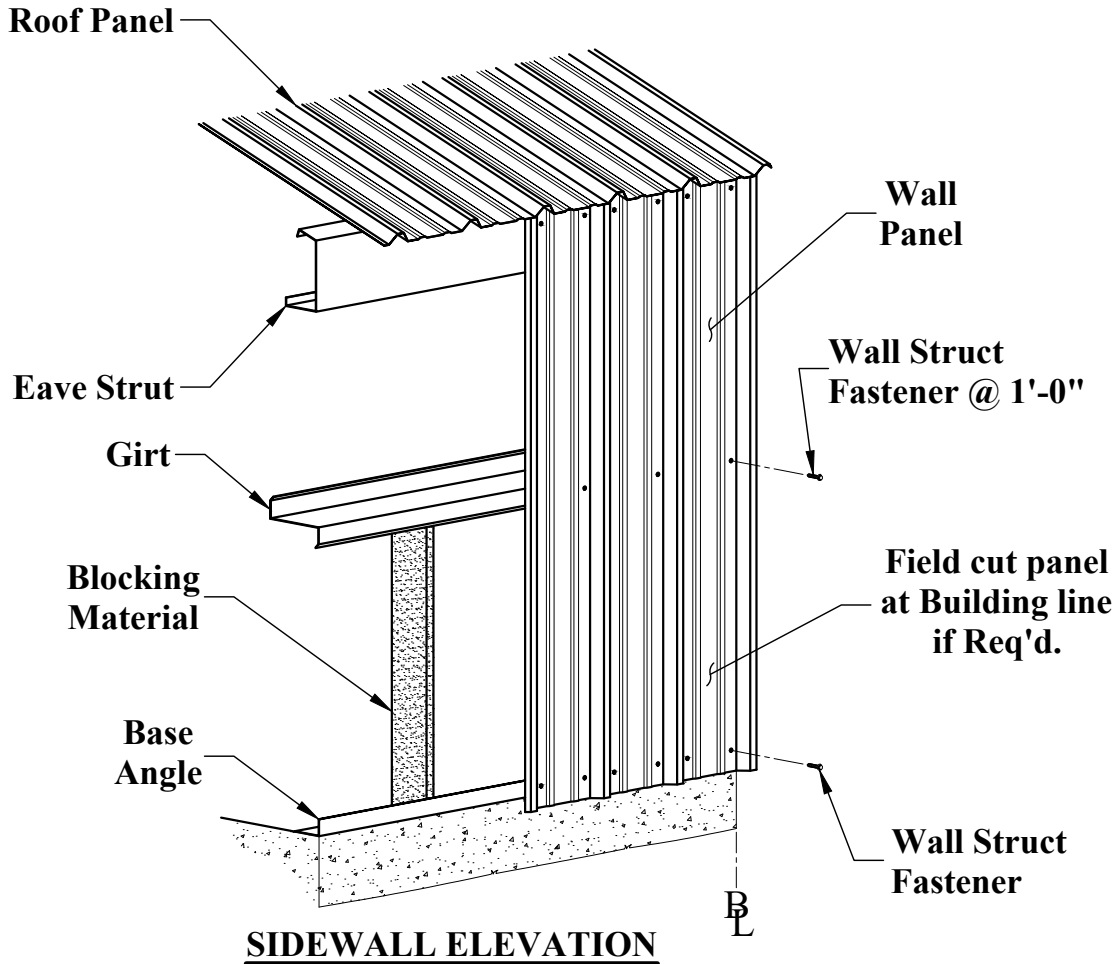
#12-14 x 1 1/4"
Self-Drilling
Fastener



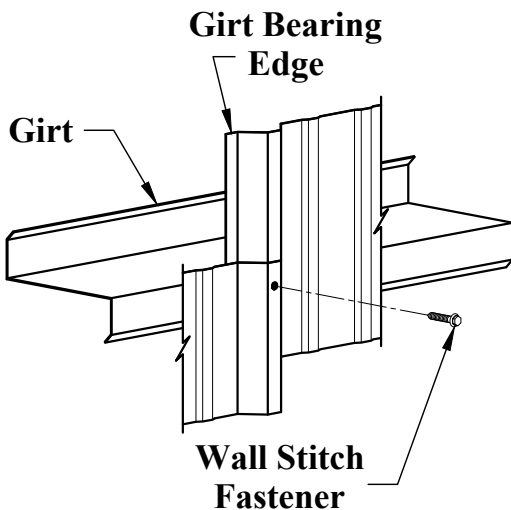
FASTENER SPACING AT WALL PANELS



"R" PANEL INSTALLATION SIDEWALL PANELS



SIDEWALL ELEVATION



SIDELAP DETAIL

NOTE: "Girt bearing edge" must always bear on girt to provide support when sidelap fasteners are driven.

IMPORTANT NOTE:

Always check to see if building requires insulation before sheeting.

NOTE:

- 1. Block girts to "level" position before starting panel erection. Maintain blocking until panel to structural fasteners are installed.**
- 2. Align and plumb first wall panel with the roof panel first roof panel.)**
- 3. Attach panel to secondary framing (see recommendations for fastener type and spacing.)**
- 4. Proceed to install adjacent panel. Use only a min. no. of fasteners to hold panels in place until chalk lines can be popped. To assure a straight line run of fasteners.**
- 5. Use sidelap fasteners only after all panel to structural fasteners are in place.**
- 6. Fastener spacing for sidelap are 2'-6" unless otherwise noted.**