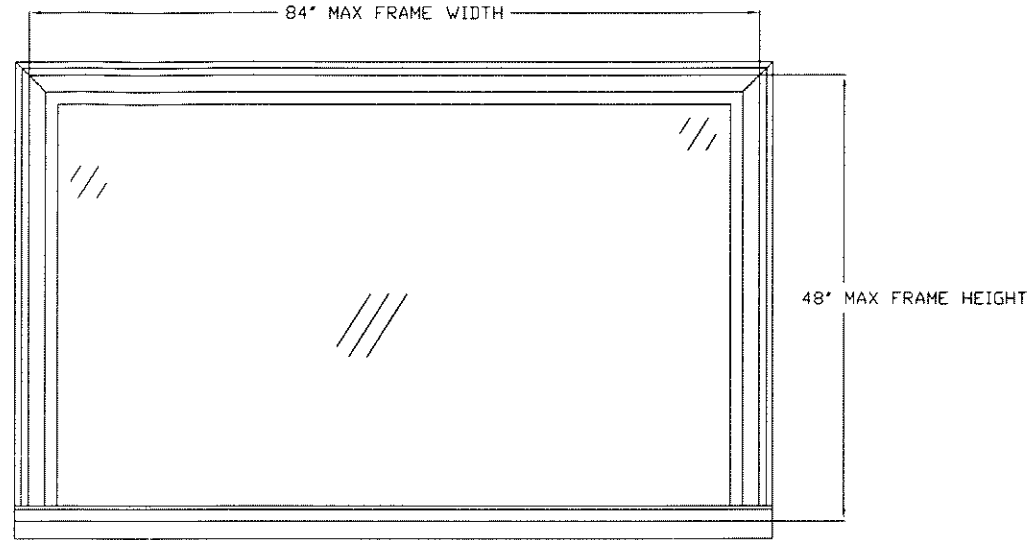




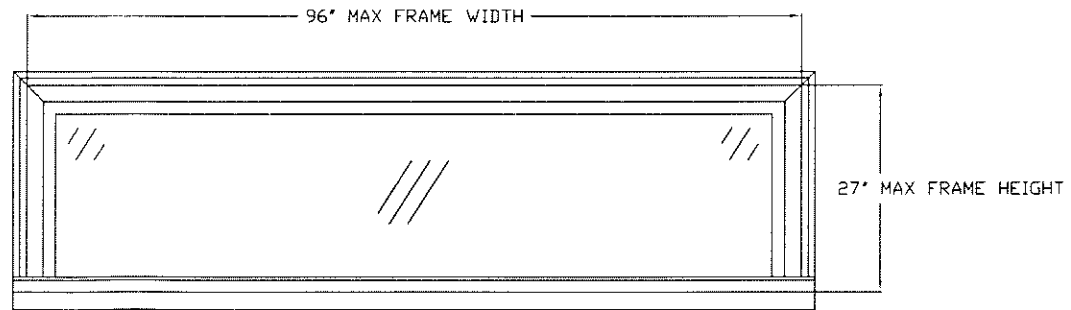
WOOD/COMPOSITE TRANSOM

GENERAL NOTES

1. EVALUATED FOR USE IN LOCATIONS ADHERING TO THE FLORIDA BUILDING CODE AND WHERE PRESSURE REQUIREMENTS AS DETERMINED BY ASCE 7, MINIMUM DESIGN LOADS FOR BUILDINGS AND OTHER STRUCTURES, DOES NOT EXCEED THE DESIGN PRESSURES LISTED.
2. WHEN INSTALLED IN THE WIND-BORNE DEBRIS REGION, HURRICANE PROTECTIVE SYSTEM IS REQUIRED.
3. NOT APPROVED FOR USE IN THE HIGH VELOCITY HURRICANE ZONE (HVHZ).



+/- 60.0 DESIGN PRESSURE



+/- 70.0 DESIGN PRESSURE

Addendum to NAMI  
 Certification No.: N1006799-R2  
 Reviewed By: [Signature]  
 Date Reviewed: 11/22/10

Addendum to NAMI  
 Certification No.: N1006799A-R3  
 Reviewed By: [Signature]  
 Date Reviewed: 11/22/10

TABLE OF CONTENTS	
SHEET #	DESCRIPTION
1	TYPICAL ELEVATIONS & GENERAL NOTES
2	ANCHORING LOCATIONS & DETAILS

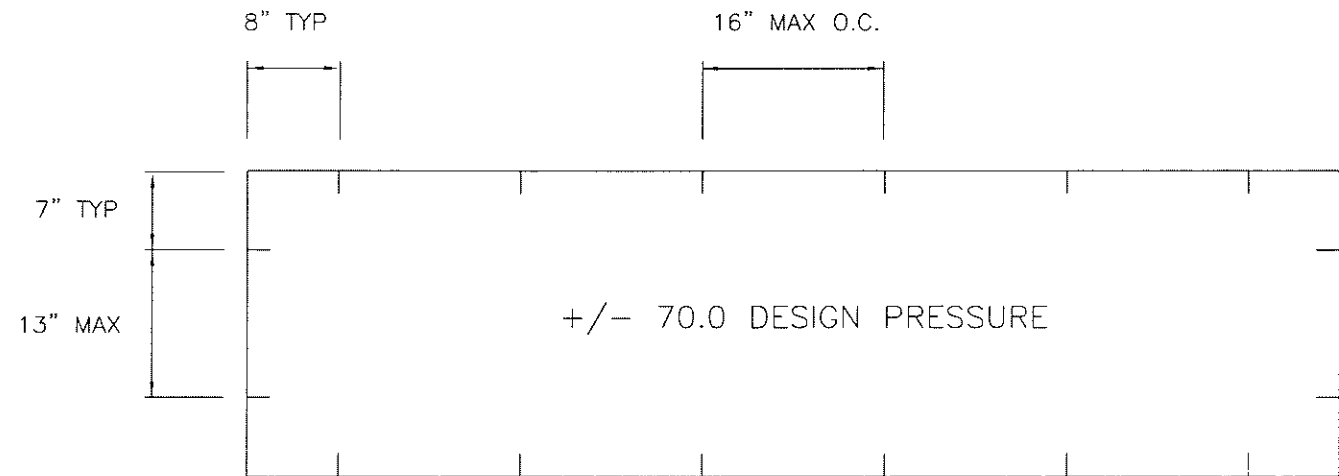
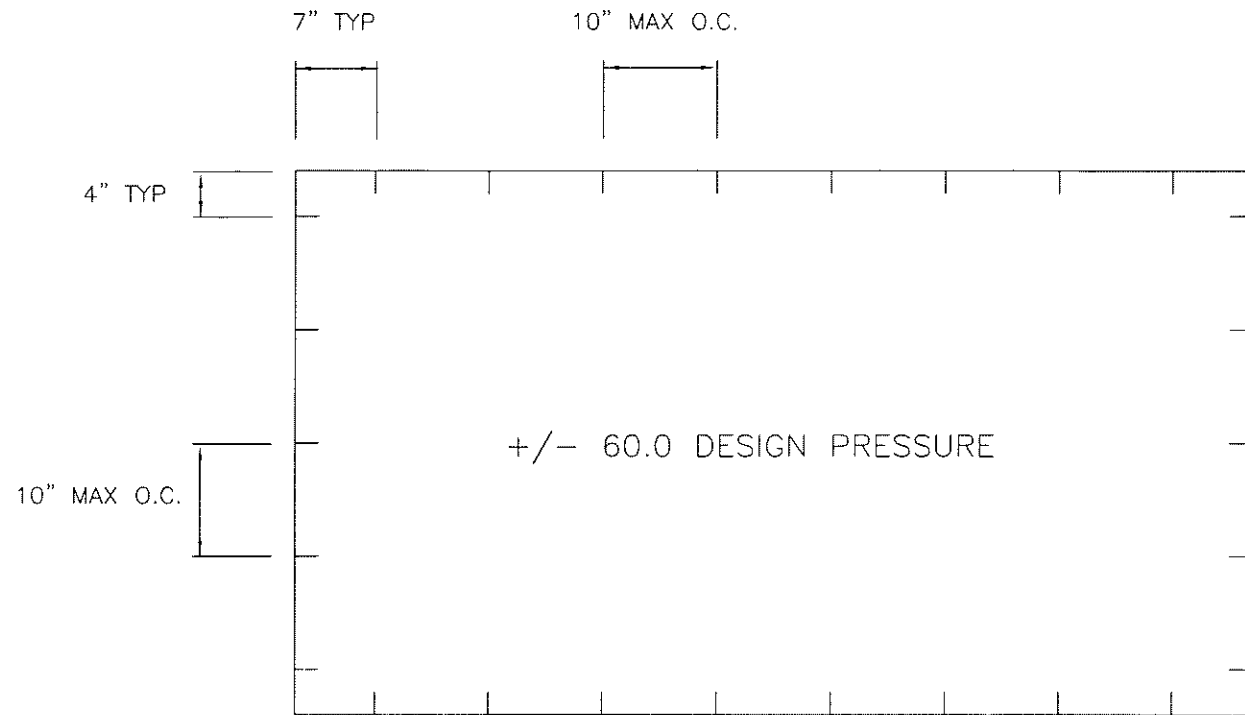
*Kurt Balthazor*  
 12-13 -10

KURT BALTHAZOR  
 FLORIDA P.E.  
 #56533

MASONITE INTERNATIONAL CORP.  
 1955 POWIS RD.  
 WEST CHICAGO, IL 60185

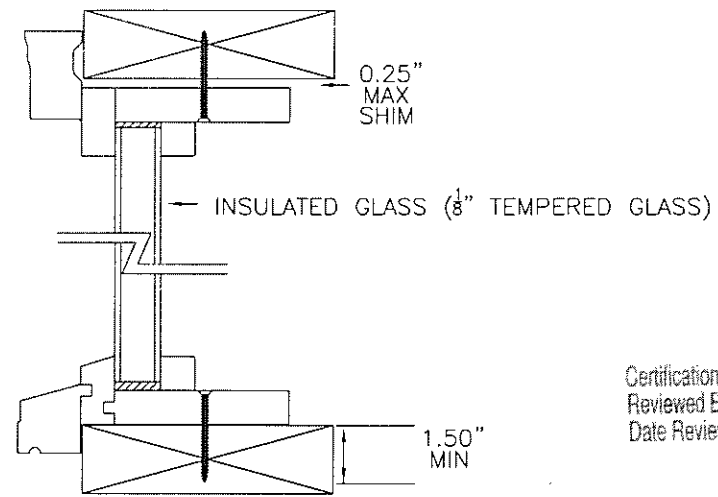
PRODUCT:	TRANSOM
PART OR ASSEMBLY:	TYPICAL ELEVATIONS & GENERAL NOTES
NO.	A
DATE	11/2/10
MISC UPDATES	SWS
REVISIONS	BY
DATE	

DATE: 11/10/06  
 SCALE: N.T.S.  
 DWG. BY: SWS  
 CHK. BY:  
 DRAWING NO.: DWG-MA-FL0156-06  
 SHEET 1 OF 2



ATTACHMENT DETAIL

1. ANCHOR ANALYSIS FOR LOADING CONDITIONS PREPARED, SIGNED, AND SEALED BY JOSEPH A. REED, P.E. (FLORIDA #58920). FASTENERS ANALYZED FOR USE INCLUDE #8 WOOD SCREWS. A PHYSICAL SHIM MUST BE PLACED IN SHIM SPACE AT EACH ANCHOR LOCATION.
2. THE WOOD SCREW SINGLE SHEAR DESIGN VALUES COME FROM ANSI/AF&PA NDA FOR SOUTHERN PINE LUMBER AND ACHIEVEMENT OF 1-1/2" MINIMUM EMBEDMENT.
3. WOOD BUCKS BY OTHERS MUST BE ANCHORED PROPERLY TO TRANSFER LOADS TO STRUCTURE.
4. MINIMUM LATERAL DESIGN VALUE STRENGTH OF 54 LBS.



TYPICAL ANCHOR INSTALLATION

Addendum to NAMI  
 Certification No.: N1006799-R2  
 Reviewed By: [Signature]  
 Date Reviewed: 11/22/10

Addendum to NAMI  
 Certification No.: N1006799A-R3  
 Reviewed By: [Signature]  
 Date Reviewed: 11/22/10

MASONITE INTERNATIONAL CORP.  
 1955 POWIS RD.  
 WEST CHICAGO, IL 60185

PRODUCT: TRANSOM  
 PART OR ASSEMBLY: ANCHORING LOCATIONS & DETAILS

REVISIONS	
NO.	DATE
A	11/22/10
	MISC UPDATES
	SWS BY

DATE: 11/10/06  
 SCALE: N.T.S.  
 DWG. BY: SWS  
 CHK. BY:  
 DRAWING NO.:  
 DWG-MA-FL0156-06  
 SHEET 2 OF 2