

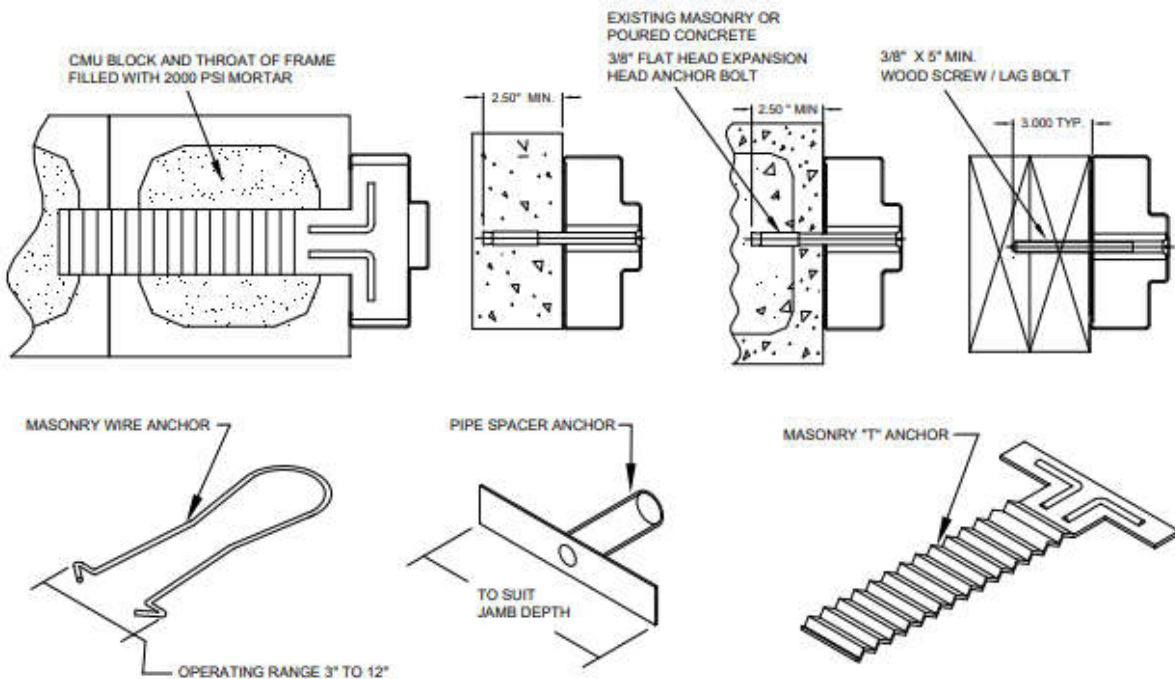
CURRIES

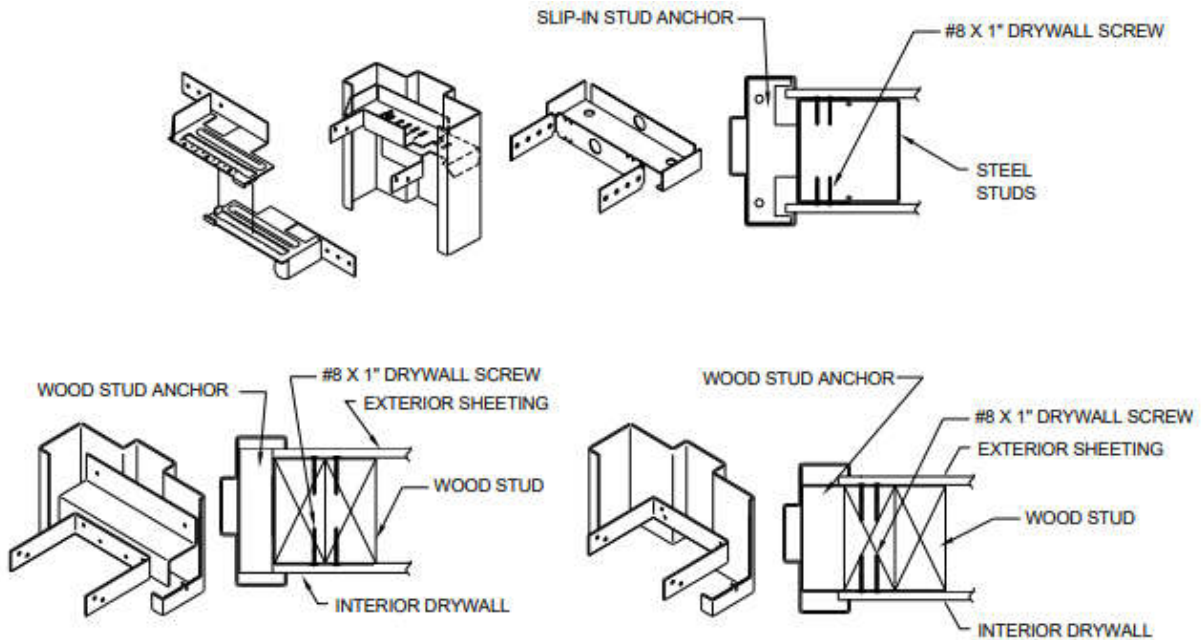
Installation Instructions

Anchoring

- 1) Rough opening material, by others, must be installed properly to transfer loads to the building structure.
- 2) Anchoring or loading conditions not shown in these details are not part of this approval.
- 3) Building walls must be designed to support and sustain loads developed by the door and frame assembly and transfer loads to the building structure.
- 4) Anchors shall be as listed and spaced as shown in the table below.
- 5) Anchor embedment to base material shall be beyond wall dressing or stucco.
- 6) Masonry "T", Pipe Spacer, Wire, Welded (EWA), wood stud, or steel stud anchors required.

ANCHOR REQUIREMENT TABLE					
OPENING HEIGHT	ANCHORS W/ 3/8" LAG SCREW, STEEL STUD, OR WOOD STUD	ANCHORS W/ 3/8" EXPANSION SHELL	MAX. SPACING	MSAONRY "T" OR WIRE ANCHORS	MAX. SPACING
80" - 88"	4	4	22	4	
90"	5	4	22	4	24
92" - 96"	5	5	22	5	24





Hinges

- 1) Any Steel Door Institute (SDI) member hinge spacing.
- 2) Minimum hinge size is 4-1/2" minimum Std. Wt. unless otherwise noted.

Locks

- 1) Any SDI member lock locations.

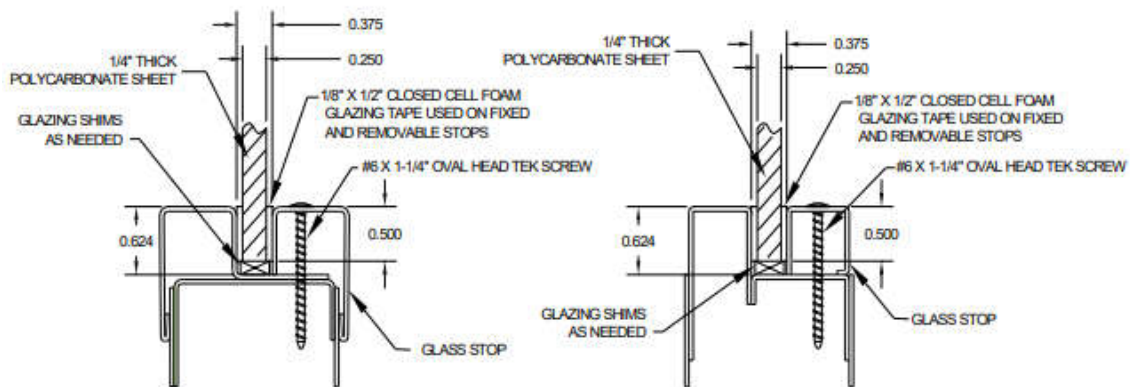
Glazing

- 1) Curries Vision Light Kit – Minimum 18 gauge (0.041") when required.
- 2) Surround Channel – Minimum 20 gauge (0.032") when required.
- 3) Approved Polycarbonate (1/4" minimum thickness) or GLASSLAM.

Frame

- 1) Frame heads with faces greater than 2" must be grouted with 2000 psi concrete.
- 2) Install frames per ANSI A250.11.

Polycarbonate Glazing Instructions

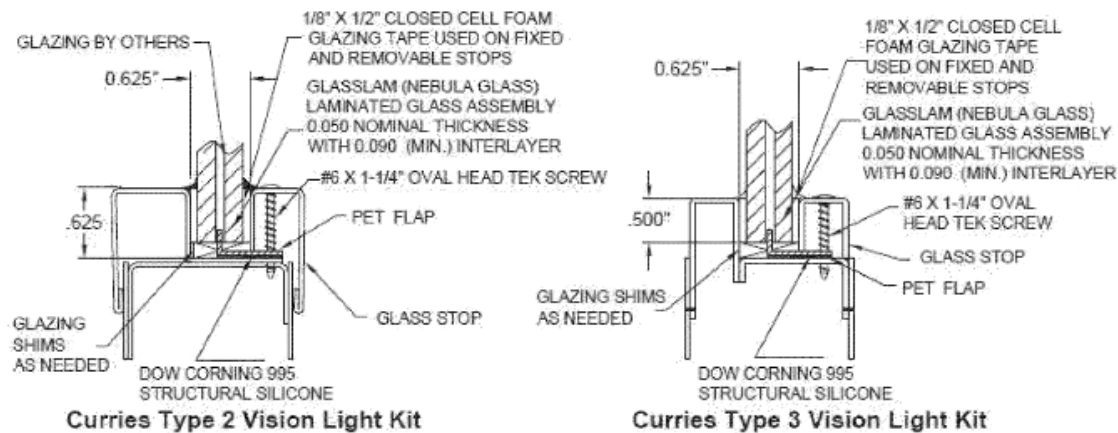


Curries Type 1 Vision Light Kit

Curries Type 3 Vision Light Kit

- 1) Before removing the removable stops, check to be sure there are screws in every hole. Pre-drill holes with a #36 bit where there are screw holes but no screws. Do not remove stops.
- 2) Using a pencil, mark alignment marks on the removable stops and the door.
- 3) Unscrew the #6 x 1-1/4" oval head TEK screws from the removable stops and remove the removable stops. Keep the screws.
- 4) Apply 1/8" x 1/2" closed cell foam glazing tape to the fixed stop.
- 5) If there is plastic release on the foam glazing tape, pull the plastic release back about 2" from each end of the foam tape. Pull the plastic release around the fixed stop so it can be grasped after placing the polycarbonate on the unexposed foam tape.
- 6) If there is paper release on the foam glazing tape, remove the paper release before glazing. Spray the exposed foam tape with a mild soap solution immediately before placing the polycarbonate on the exposed foam tape.
- 7) Place glazing shims, as needed, then set the polycarbonate on the foam glazing tape.
- 8) Adjust the polycarbonate, as necessary, to center the polycarbonate in the cutout.
- 9) If the release is plastic, grasp the free end of the plastic release, while holding the polycarbonate to keep it from moving. Then slowly pull the plastic release off the foam tape that was applied to the fixed stop.
- 10) Apply 1/8" x 1/2" closed cell foam glazing tape to the removable stop.
- 11) If there is plastic release on the foam glazing tape, pull the plastic release back about 2" from each end of the foam tape. Pull the plastic release around the removable stop so it can be grasped after placing the removable stop on the polycarbonate.
- 12) If there is paper release on the foam glazing tape, remove the paper. Spray the exposed foam tape with a mild soap solution immediately before placing the removable stops against the polycarbonate.
- 13) Using the alignment marks, position the removable stops against the polycarbonate.
- 14) Install and tighten the #6 x 1-1/4" oval head TEK screws in the removable stops. Be careful not to over tighten.
- 15) If the release is plastic, grasp the free end of the plastic release, and slowly pull the plastic release off the foam tape that was applied to the removable stop.
- 16) Using the Dow Corning 995 silicone or other high quality silicone, apply a cap bead over the closed cell foam tape on the exterior side of the door vision light kit.

Glasslam Glazing Instructions



- 1) Before removing the removable stops, check to be sure there are screws in every hole. Pre-drill holes with a #36 bit where there are screw holes but no screws. Do not remove stops.
- 2) Using a pencil, mark alignment marks on the removable stops and the door.
- 3) Unscrew the #6 x 1-1/4" oval head TEK screws from the removable stops and remove the removable stops. Keep the screws.
- 4) Apply 1/8" x 1/2" closed cell foam glazing tape to the fixed stop.
- 5) If there is plastic release on the foam glazing tape, pull the plastic release back about 2" from each end of the foam tape. Pull the plastic release around the fixed stop so it can be grasped after placing the Glasslam on the unexposed foam tape.
- 6) If there is paper release on the foam glazing tape, remove the paper release before glazing. Spray the exposed foam tape with a mild soap solution immediately before placing the Glasslam on the exposed foam tape.
- 7) Place glazing shims, as needed, then set the Glasslam on the foam glazing tape.
- 8) Adjust the Glasslam assembly, as necessary, to center the assembly in the cutout.
- 9) If the release is plastic, grasp the free end of the plastic release, while holding the Glasslam to keep it from moving. Then slowly pull the plastic release off the foam tape that was applied to the fixed stop.
- 10) Trim the PET flap so it is flush with the door face.
- 11) Take a putty knife and insert it between the PET flap and the edge of the cutout in the door. Using the putty knife pull the PET flap away from the cutout in the door.
- 12) While holding the PET flap back away from the cutout with the putty knife, use a caulking gun to apply Dow Corning 995 silicone between the PET flap and the steel in the cutout of the door. **IMPORTANT: Ensure that the Dow Corning 995 silicone fully wets out or covers the PET flap and comes in contact with the steel around the cutout in the door.**
- 13) Slowly move the putty knife around the door ahead of the caulking gun and apply the 995 silicone around the entire cutout in the door.
- 14) Apply 1/8" x 1/2" closed cell foam glazing tape to the removable stop.
- 15) If there is plastic release on the foam glazing tape, pull the plastic release back about 2" from each end of the foam tape. Pull the plastic release around the removable stop so it can be grasped after placing the removable stop on the polycarbonate.
- 16) If there is paper release on the foam glazing tape, remove the paper. Spray the exposed foam tape with a mild soap solution immediately before placing the removable stops against the Glasslam.
- 17) Using the alignment marks, position the removable stops against the Glasslam.

- 18) Install and tighten the #6 x 1-1/4" oval head TEK screws in the removable stops. Be careful not to over tighten.
- 19) If the release is plastic, grasp the free end of the plastic release, and slowly pull the plastic release off the foam tape that was applied to the removable stop.
- 20) Using the Dow Corning 995 silicone or other high quality silicone, apply a cap bead over the closed cell foam tape on the exterior side of the door vision light kit.

Thresholds and Weather-strip

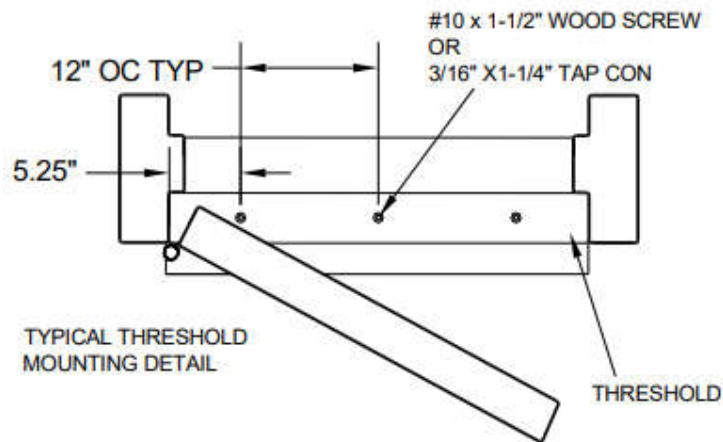
1) Thresholds

Pemko Part Nos 177, 2005

2) Weather-Strips

Pemko S88, 303 (use with continuous hinge)

Threshold Installation



NOTE: 1/8" CLEARANCE BETWEEN THE BOTTOM OF THE DOOR AND THE THRESHOLD IS TYPICAL