

**GENERAL NOTES:**

1. ALL FASTENERS SHALL BE IN ACCORDANCE WITH THESE DRAWINGS. SPECIFIED ANCHOR EMBED TO BASE MATERIAL SHALL BE BEYOND WALL FINISH OR STUCCO.
2. OPENINGS, BLOCKING & BUCKING FASTENERS MUST BE PROPERLY DESIGNED & INSTALLED TO TRANSFER WIND LOADS TO THE STRUCTURE.
3. THESE NON-IMPACT RATED PRODUCT INSTALLATIONS ARE IN ACCORDANCE WITH AND MEET THE REQUIREMENTS OF THE FLORIDA BUILDING CODE (FBC).
4. ALL ANCHORS SECURING PRODUCT FRAMES TO THE PRESSURE TREATED BUCKS OR WOOD FRAMING SHALL BE CAPABLE OF RESISTING CORROSION CAUSED BY THE PRESSURE TREATING CHEMICALS. IN THE WOOD, 5. MATERIALS, INCLUDING BUT NOT LIMITED TO STEEL SCREWS, THAT COME INTO CONTACT WITH OTHER DISSIMILAR MATERIALS SHALL MEET THE REQUIREMENTS OF FLORIDA BUILDING CODE CHAPTER 20.
6. TO THE BEST OF OUR KNOWLEDGE, THE PRODUCT SHOWN HEREIN IS CERTIFIED & QUALITY ASSURED BY A FLORIDA STATE APPROVED CERTIFICATION/QA ENTITY & SHALL BE LABELED IN ACCORDANCE WITH THE FBC AND THE FLORIDA DEPARTMENT OF BUSINESS & PROFESSIONAL REGULATION SPECIFICATIONS. PRODUCT ASSEMBLY IS NOT PART OF THIS DRAWING AND SHALL BE IN ACCORDANCE WITH THE MANUFACTURER'S QUALITY ASSURANCE SPECIFICATIONS & TESTING REPORTS.
7. CERTIFICATION OF THESE PRODUCT INSTALLATIONS SHALL BE CONSIDERED VOID IF ANY OF THE FOLLOWING APPLY: 1) PRODUCT IS INSTALLED WITHOUT A BUILDING PERMIT FROM THE APPLICABLE LOCAL BUILDING DEPARTMENT. 2) PRODUCT IS INSTALLED BY ANYONE OTHER THAN A LICENSED CONTRACTOR EXPERIENCED WITH INSTALLATIONS OF THIS TYPE OF PRODUCT. 3) IF CHANGES HAVE OCCURRED TO THE PRODUCT'S CERTIFICATION ENTITY'S CERTIFICATE THAT CAUSE THESE INSTALLATIONS TO BE INCORRECT OR INCONSISTENT WITH WHAT HAS BEEN TESTED.
8. THE LEAST DESIGN PRESSURE SPECIFIED EITHER IN THIS DRAWING OR IN THE PRODUCTS CERTIFICATION SHALL CONTROL FOR THE INSTALLED PRODUCT.
9. THESE DRAWINGS CERTIFY THE PRODUCT INSTALLATION ONLY. WATER PROOFING OF THE INSTALLED PRODUCT IS NOT PART OF THIS INSTALLATION CERTIFICATION. THAT RESPONSIBILITY SHALL BE THAT OF THE MANUFACTURER &/OR INSTALLER.

**ANCHOR/SUBSTRATE EVALUATION NOTE:**

ALL ANCHORS IN THEIR SPECIFIED SUBSTRATES HAVE BEEN ANALYZED IN ACCORDANCE WITH THEIR APPLICABLE STANDARD(S) AND ARE FOUND TO BE CAPABLE OF SUPPORTING ALL LOADS IMPOSED ON THEM UNDER THE GUIDELINES OF THIS DOCUMENT. ANY SUBSTRATES OR CONDITIONS OUTSIDE OF WHAT IS SHOWN HERE-IN SHALL BE SUBJECT TO JOB SPECIFIC ENGINEER'S REVIEW & CERTIFICATION.

**INSTALLATION NOTE:**

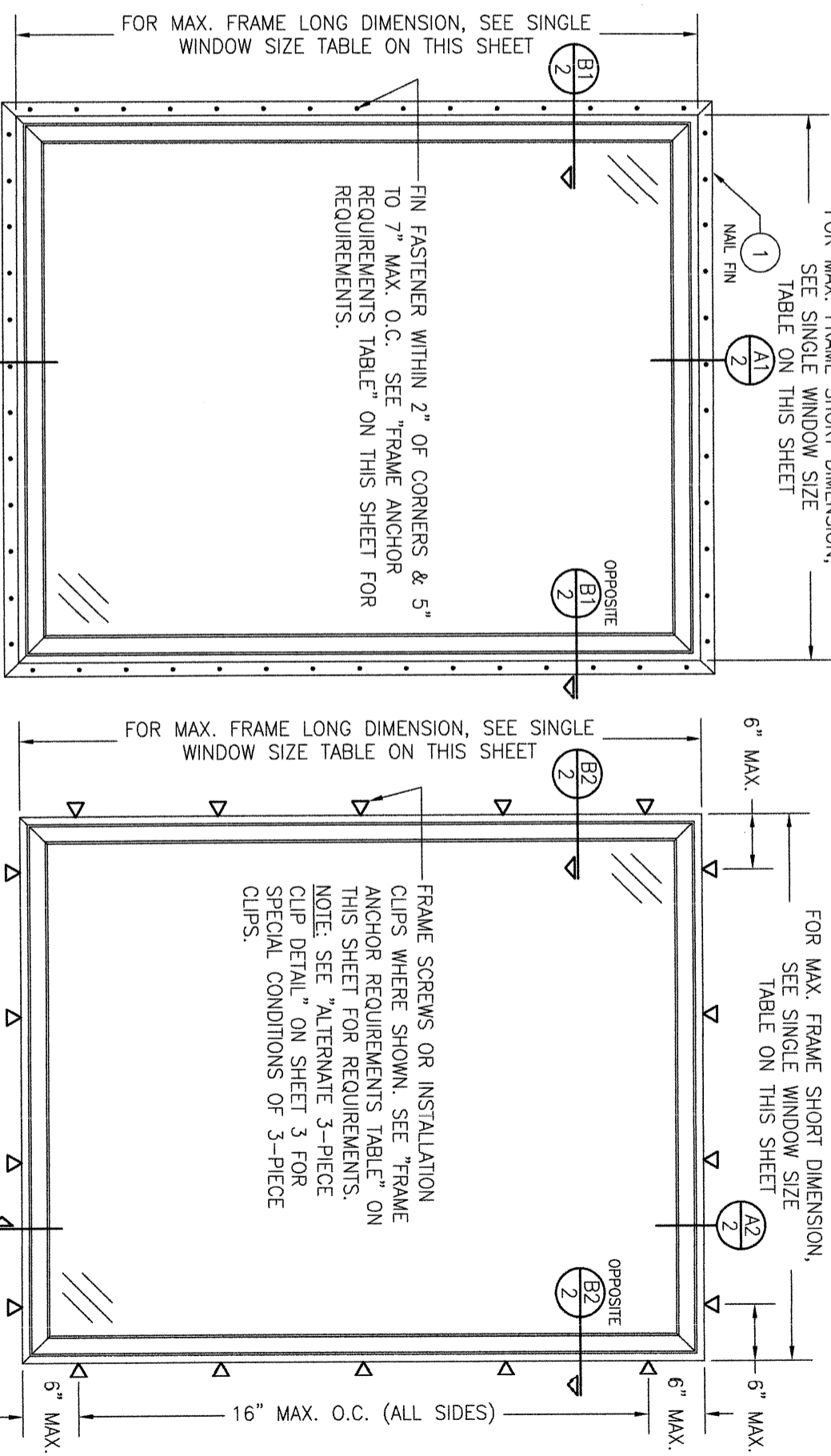
WHEN NECESSARY, INSTALLATION METHODS MAY BE MIXED WITH ANY ONE WINDOW SUCH THAT INDIVIDUAL SIDES OF THE WINDOW MAY USE ONE OR THE OTHER ANCHOR METHOD (EXAMPLE: SILL MAY USE FRAME SCREWS METHOD WHILE OTHER SIDES USE FIN)

**FRAME ANCHOR REQUIREMENTS TABLE**

OPENING TYPE (SUBSTRATE)	FRAME/CLIP/NAIL FIN TO OPENING FASTENER TYPE	MINIMUM EMBED	MINIMUM EDGE DIST.
FRAME SCREWS			
MIN. 2x4 WOOD FRAME OR BUCK (MIN. GR. 3 & G=0.55)	NO. 10 SMS OR WOOD SCREW	1 1/4"	3/4"
MIN. 18 GA. 33 KSI METAL STUD	NO. 10 GR. 5 SELF TAP/DRILL SCREW	FULL	1/2"
MIN. 1/8" THK A36 STEEL	NO. 10 GR. 5 SELF TAP/DRILL SCREW	FULL	1/2"
MIN. 1/8" THK 6063-T5 ALUM.	NO. 10 GR. 5 SELF TAP/DRILL SCREW	FULL	1/2"
C-90 CMW/2500 PSI CONCRETE	(1) 1/4" CONCRETE SCREW	1 1/4"	2"
(2) INSTALLATION CLIP SCREWS (BENT & 3-PIECE CLIPS)			
MIN. 2x4 WOOD FRAME OR BUCK (MIN. GR. 3 & G=0.55)	NO. 8 X 1 1/2" SMS	1 3/8"	(2) N/A
MIN. 1/8" THK A36 STEEL	NO. 8 GR. 5 SELF TAP/DRILL SCREW	FULL	(2) N/A
MIN. 1/8" THK 6063-T5 ALUM.	NO. 8 GR. 5 SELF TAP/DRILL SCREW	FULL	(2) N/A
INSTALLATION CLIP SCREWS (STRAIGHT CLIPS)			
MIN. 2x6 WOOD FRAME OR BUCK (MIN. GR. 3 & G=0.55)	NO. 8 X 1 1/2" SMS	1 3/8"	3/4"
MIN. 18 GA. 33 KSI METAL STUD	NO. 8 GR. 5 SELF TAP/DRILL SCREW	FULL	1/2"
MIN. 1/8" THK A36 STEEL	NO. 8 GR. 5 SELF TAP/DRILL SCREW	FULL	1/2"
MIN. 1/8" THK 6063-T5 ALUM.	NO. 8 GR. 5 SELF TAP/DRILL SCREW	FULL	1/2"
(3) NAILING FIN FASTENERS			
MIN. 2x4 WOOD FRAME OR BUCK (MIN. GR. 3 & G=0.55)	NO. 8 X 1 1/2" SMS	1 3/8"	1/2"
MIN. 2x4 WOOD FRAME OR BUCK (MIN. GR. 3 & G=0.55)	11 GA. ROOFING NAIL	1 7/8"	1/2"
MIN. 1/8" THK A36 STEEL	NO. 8 GR. 5 SELF TAP/DRILL SCREW	FULL	1/2"
MIN. 1/8" THK 6063-T5 ALUM.	NO. 8 GR. 5 SELF TAP/DRILL SCREW	FULL	1/2"

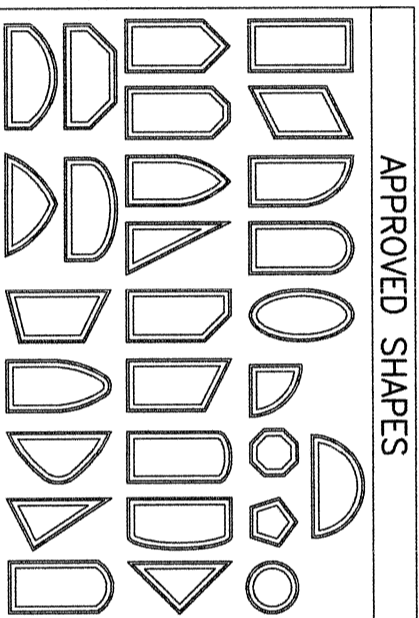
RECTANGULAR WINDOWS SHOWN. ANCHORING OF SHAPED WINDOWS IS THE SAME WITH REQUIRED ANCHOR SPACING ALONG THE FRAME CIRCUMFERENCE BEING THE SAME AS SPECIFIED FOR A STRAIGHT FRAME.

THESE DRAWINGS ARE APPLICABLE ONLY TO THE PRODUCT SPECIFIED. THEY MAY NOT BE USED FOR THE ASSEMBLY AND/OR INSTALLATION OF ANY OTHER PRODUCT NOR MAY THEY BE USED FOR RATIONAL AND/OR LOCAL APPROVAL OF ANY PRODUCT NOT PRODUCED BY THE MANUFACTURER STATED ON THESE DRAWINGS.



**EXTERIOR ELEVATION:  
SINGLE WINDOW**  
SCALE: 3/4" = 1'-0"  
(NAIL FIN MOUNT CONDITION)

**EXTERIOR ELEVATION:  
SINGLE WINDOW**  
SCALE: 3/4" = 1'-0"  
(FRAME SCREW AND CLIP MOUNT CONDITION)



**APPROVED SHAPES**

- NOTES:
1. OTHER SHAPES MAY APPLY PROVIDING THEY ARE SIMILAR TO THOSE SHOWN & HAVE CORNER CONSTRUCTION AS DESCRIBED IN THIS DRAWING.
  2. ALL SHAPED UNITS MUST FIT INScribed INTO THE ALLOWABLE RECTANGULAR UNITS & BE GOVERNED BY THE ALLOWABLE PRESSURE OF THE RESPECTIVE RECTANGULAR UNIT.

**ALLOWABLE SINGLE WINDOW SIZE VS. PRESSURE TABLE**

MAXIMUM FRAME LONG DIMENSION (IN.)	MAXIMUM FRAME SHORT DIMENSION (IN.)	ALLOWABLE PRESSURE (+/- PSF)
87	65	50
110	53	50
79 3/4	96	40
72" DIAMETER CIRCLE		50

PRESSURE SHOWN IN THIS TABLE IS FOR INSTALLATION CONDITIONS ONLY. THE GOVERNING DESIGN PRESSURE ON THE WINDOWS SHALL BE THE LESSER OF THAT SHOWN IN THE INDIVIDUAL WINDOW'S STATE APPROVAL OR THAT SHOWN IN THIS TABLE.

NO.	REVISION DESCRIPTION	BY	DATE
A1	UPDATE TO CURRENT STANDARDS	W.R.M.	01/28/14
B1	UPDATE TO CURRENT STANDARDS	W.W.S.	01/26/15
C1	UPDATE FOR NEW TESTING	W.W.S.	11/20/18
D1	ADDED NEW INSTALL CLIP OPTION	W.W.S.	05/27/24

DRAWING TITLE: **PELLA/ARCHITECT SERIES NON-IMPACT CLAD SHAPED FIXED CASEMENT WINDOW**

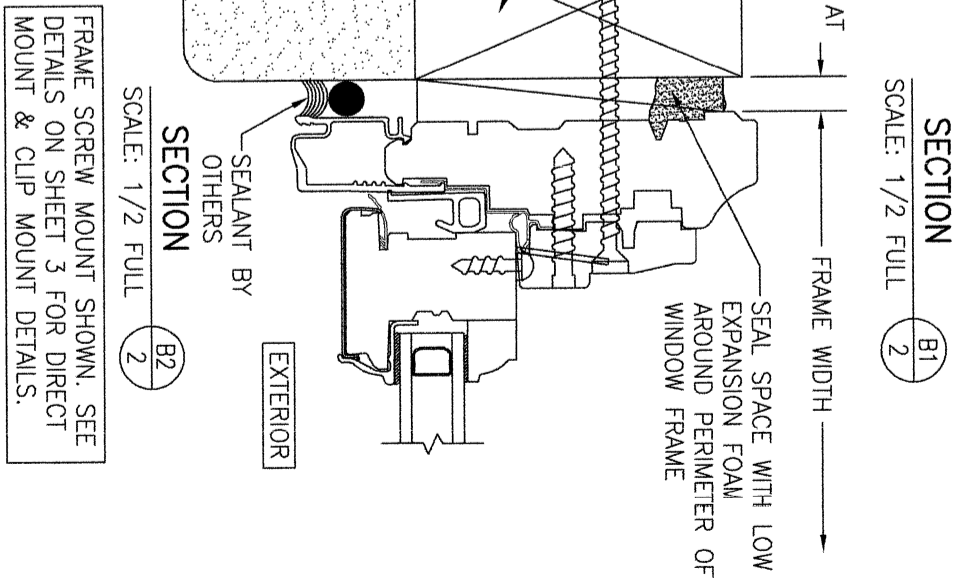
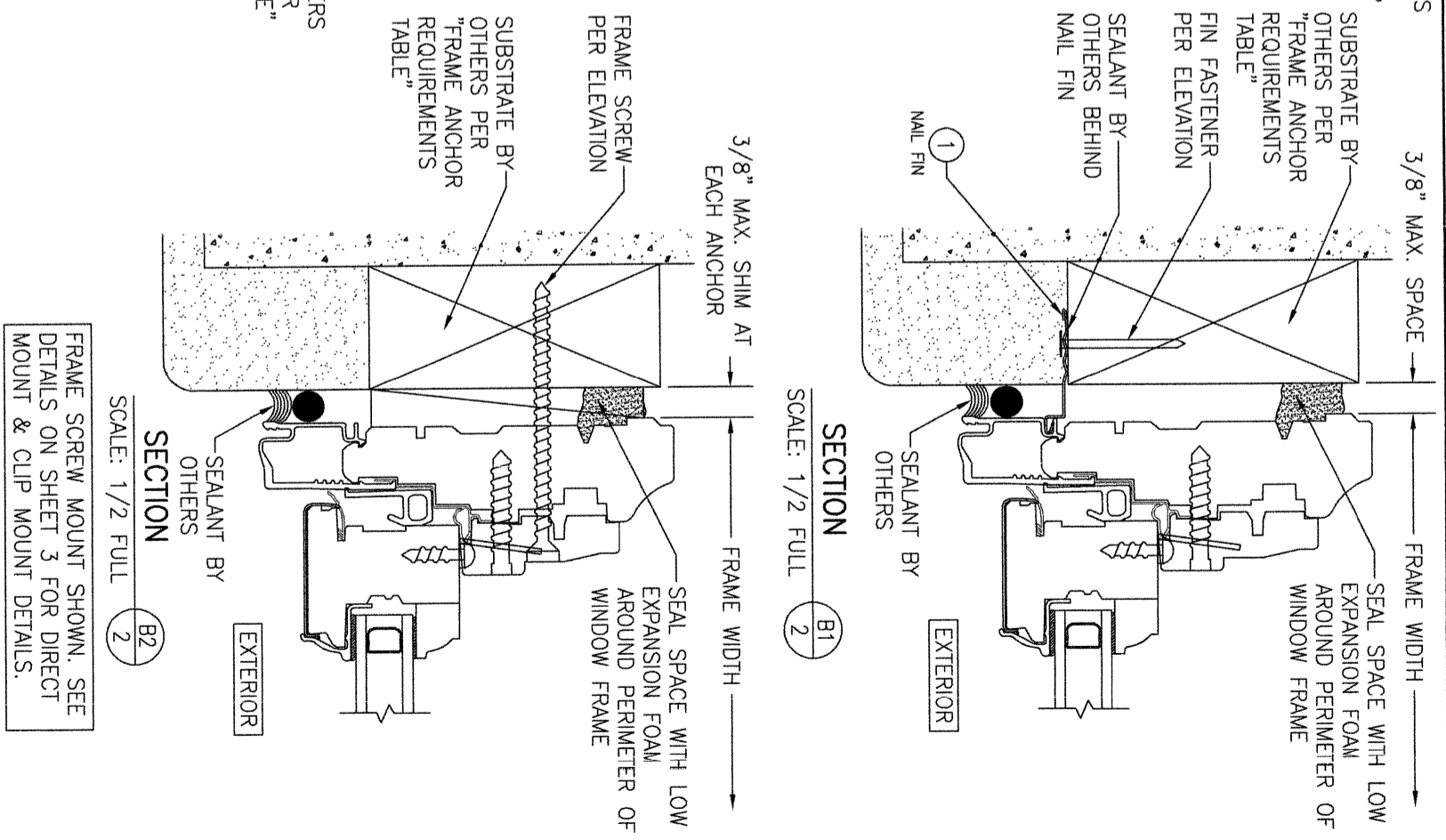
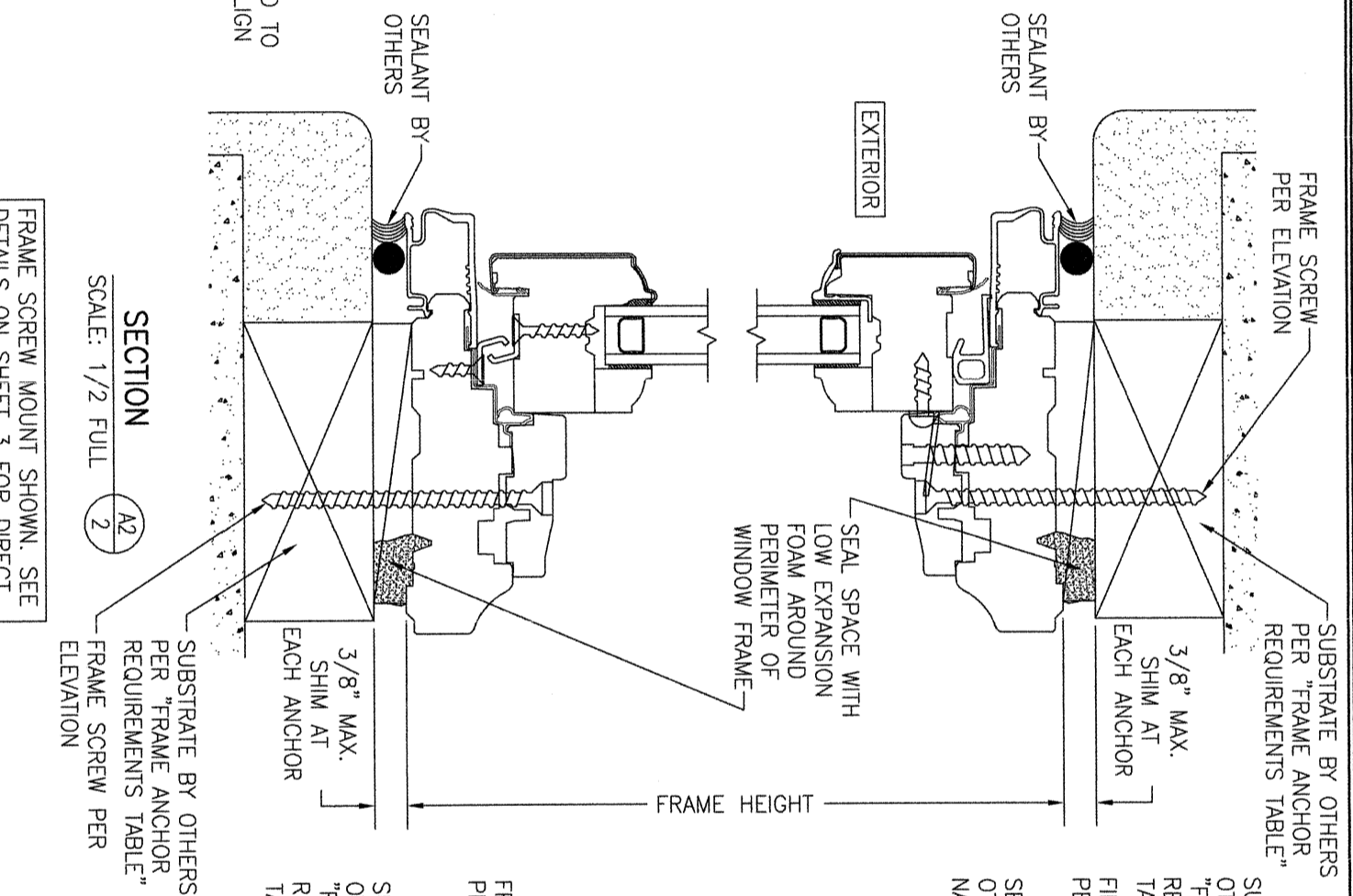
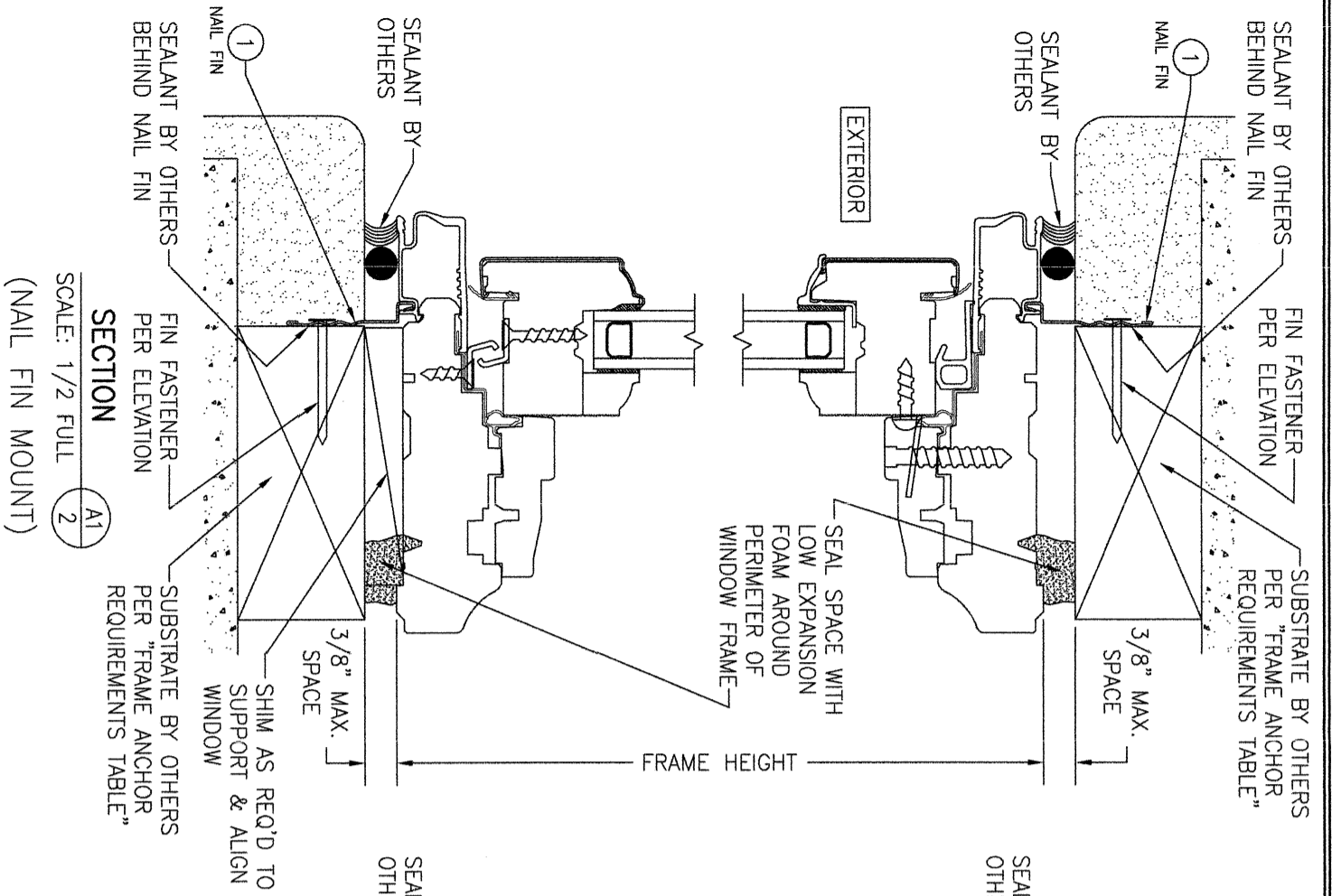
CONSULTANTS: **W. W. SCHAEFER ENGINEERING & CONSULTING, P.A.**  
25601 AYSEN DRIVE  
PUNTA GORDA, FL 33983  
PHONE: 561-744-3424

MANUFACTURER: **PELLA CORPORATION**  
102 MAIN STREET  
PELLA, IA 50219  
641-621-1000

CERTIFICATION: **WARREN W. SCHAEFER, P.E.**  
P.E. NO. 44135

DRAWING NO.: **1603A**  
REV.: **D**

SHEET NO. **1** OF **4**



NO.	REVISION DESCRIPTION	BY	DATE

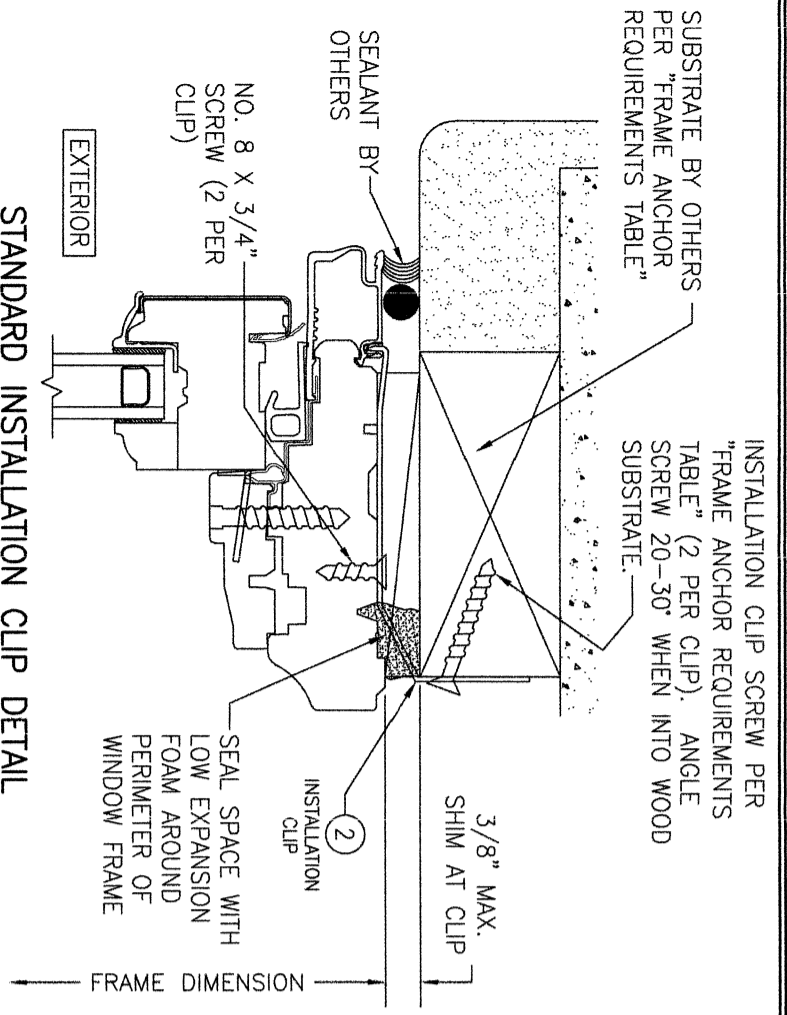
DRAWING TITLE: PELLA/ARCHITECT SERIES NON-IMPACT CLAD SHAPED FIXED CASEMENT WINDOW

CONSULTANTS: W. W. SCHAEFER ENGINEERING & CONSULTING, P.A.  
 25601 AYSEN DRIVE  
 PUNTA GORDA, FL 33983  
 PHONE: 561-744-3424

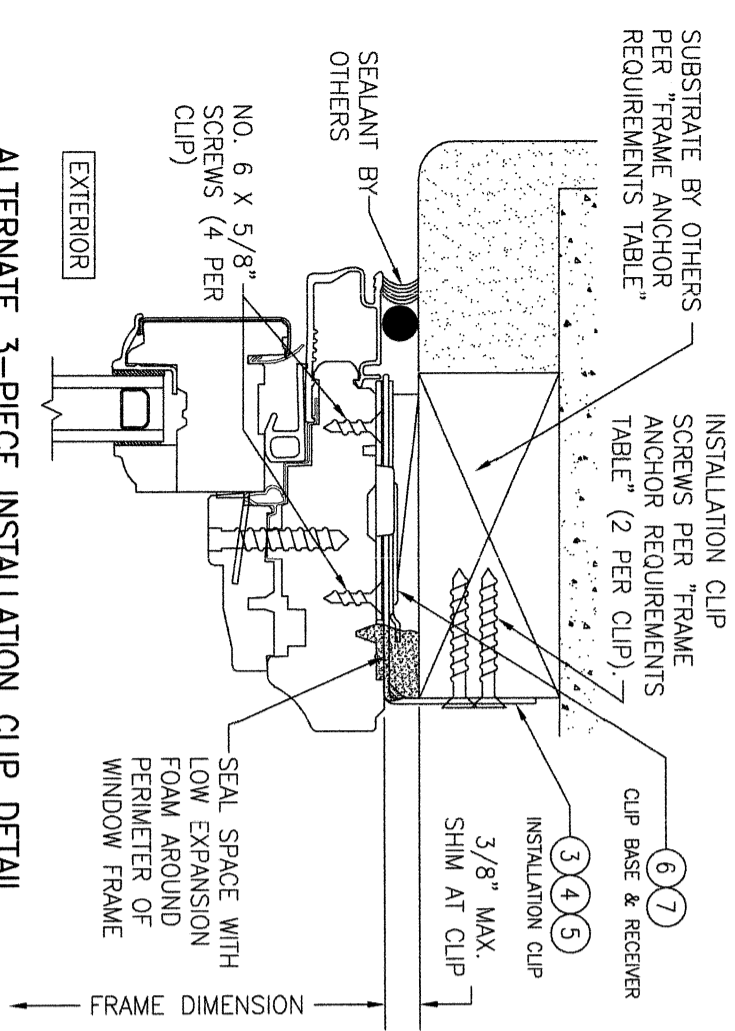
MANUFACTURER: PELLA CORPORATION  
 102 MAIN STREET  
 PELLA, IA 50219  
 641-621-1000

CERTIFICATION: WARREN W. SCHAEFER, P.E.  
 P.E. NO. 44135

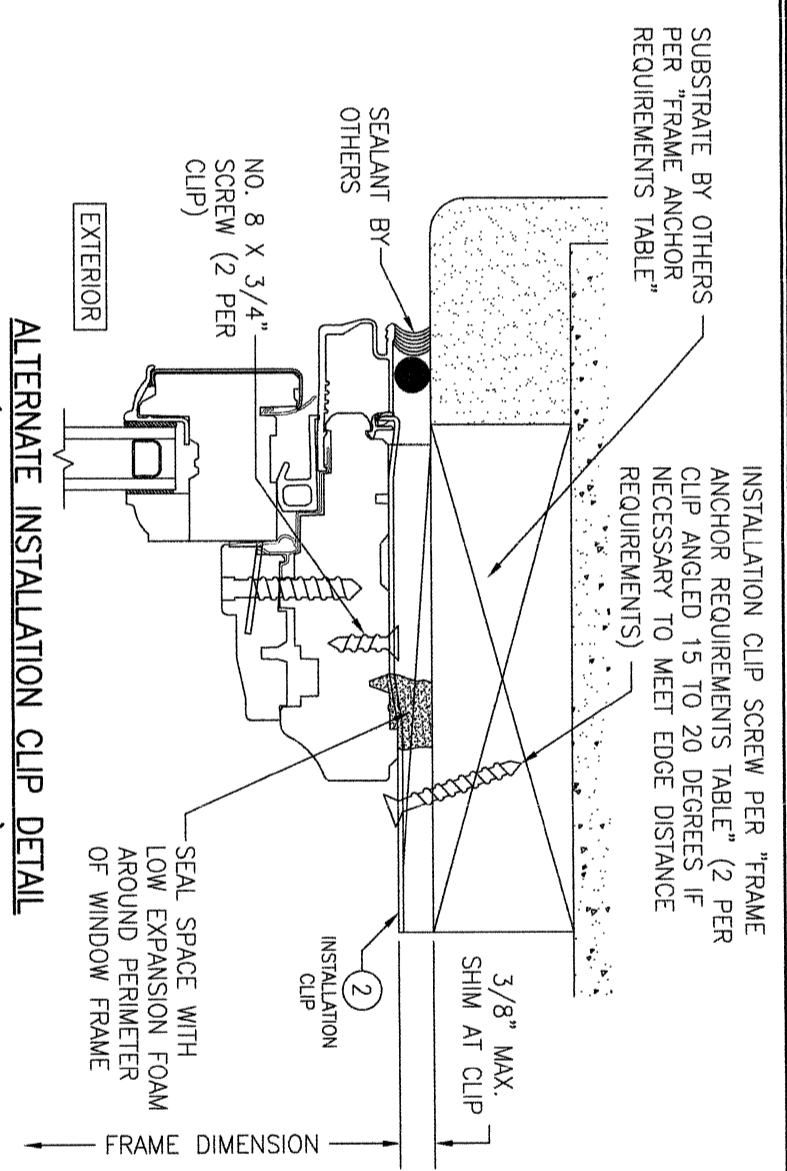
DRAWING NO.: 1603A  
 REV.: D  
 SHEET NO.: 2 OF 4



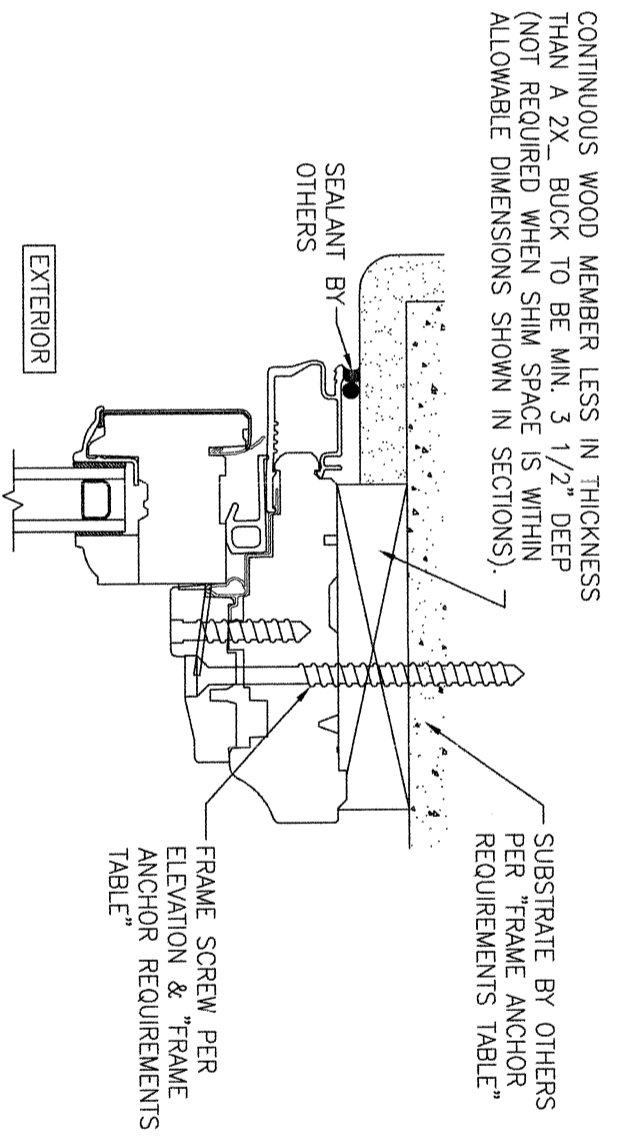
**STANDARD INSTALLATION CLIP DETAIL  
(BENT CLIP CONDITION)**  
(HEAD SECTION SHOWN; SILL & SIDES ARE INSTALLED THE SAME)  
(FOR DETAIL NOT SHOWN, SEE OTHER SECTIONS)



**ALTERNATE 3-PIECE INSTALLATION CLIP DETAIL**  
(HEAD SECTION SHOWN; SILL & SIDES ARE INSTALLED THE SAME)  
(FOR DETAIL NOT SHOWN, SEE OTHER SECTIONS)  
NOTE: 3-PIECE CLIPS MAY ACT AS SPOT OR FULL REPLACEMENTS OF EITHER THE FRAME SCREWS, STANDARD BENT CLIPS OR STRAIGHT CLIPS. THEREFORE, ANY ONE OR ALL OF THE FRAME SCREWS/CLIPS SPECIFIED IN THE ELEVATION(S) MAY BE REPLACED WITH 3-PIECE CLIPS.



**ALTERNATE INSTALLATION CLIP DETAIL  
(STRAIGHT CLIP CONDITION)**  
(HEAD SECTION SHOWN; SILL & SIDES ARE INSTALLED THE SAME)  
(FOR DETAIL NOT SHOWN, SEE OTHER SECTIONS)



**OPTIONAL DIRECT MOUNT DETAIL  
TO SUBSTRATE WITH SPACER**  
(HEAD SECTION SHOWN; SILL & SIDES ARE INSTALLED THE SAME)  
(FOR DETAIL NOT SHOWN, SEE OTHER SECTIONS)

NO.	REVISION DESCRIPTION	BY	DATE



**PELLA CORPORATION**  
102 MAIN STREET  
PELLA, IA 50219  
641-621-1000

**DRAWING TITLE** PELLA/ARCHITECT SERIES NON-IMPACT CLAD SHAPED FIXED CASEMENT WINDOW

**CONSULTANTS**  
W. W. SCHAEFER ENGINEERING & CONSULTING, P.A.  
25601 AYSEN DRIVE  
PUNTA GORDA, FL 33983  
PHONE: 561-744-3424

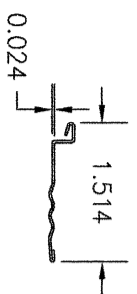
**MANUFACTURER**

**CERTIFICATION**

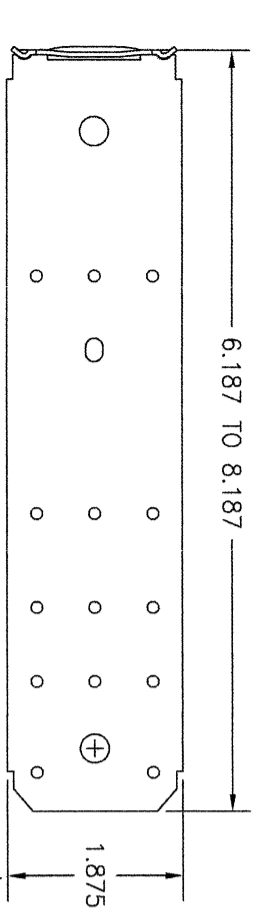
WARREN W. SCHAEFER, P.E.  
P.E. NO. 44135

**DRAWING NO.** 1603A  
**REV.** D  
**SHEET NO.** 3 OF 4

**DRAWN BY:** W.R.M.  
**CHECKED BY:** W.M.S.  
**DATE:** 07/21/11

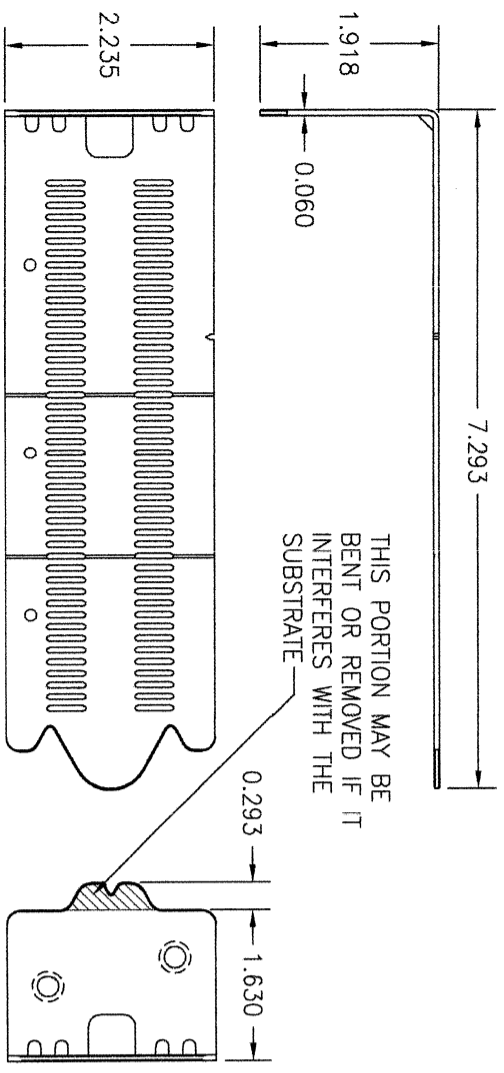


① NAIL FIN  
(3003 H-14 ALUMINUM)



② FRAME INSTALLATION CLIP  
(50 KSI STEEL)

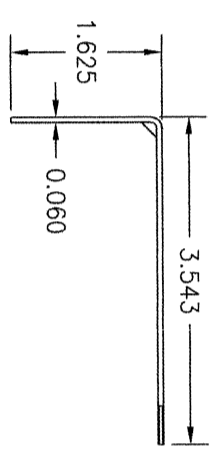
BENT PORTION OF CLIP MAY BE SNIPPED OFF IF REQ'D FOR PLACEMENT TO WINDOW FRAME.



⑤ FRAME INSTALLATION CLIP  
(50 KSI STEEL)

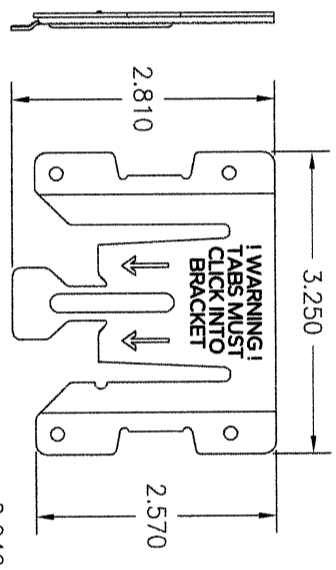
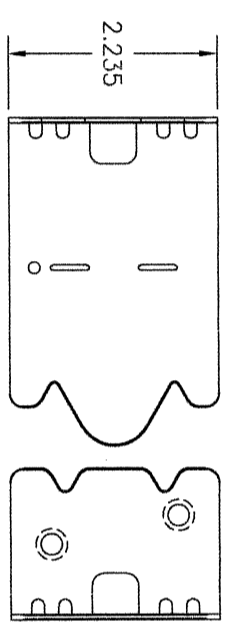
ADJUSTABLE CLIP USED WITH 3-PIECE CLIP SYSTEM

THIS PORTION MAY BE BENT OR REMOVED IF IT INTERFERES WITH THE SUBSTRATE

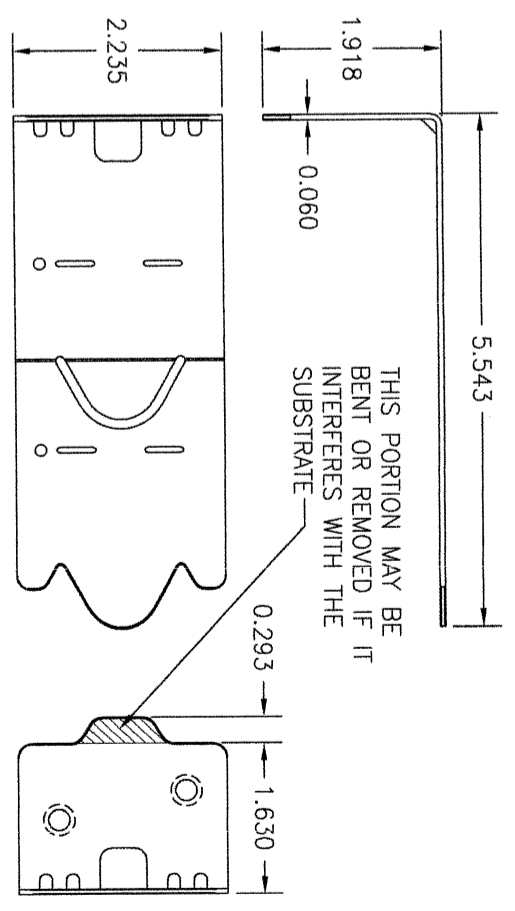


③ FRAME INSTALLATION CLIP  
(50 KSI STEEL)

SHORT CLIP USED WITH 3-PIECE CLIP SYSTEM (TYPICALLY USED WITH 2X4 BUCK SUBSTRATE)



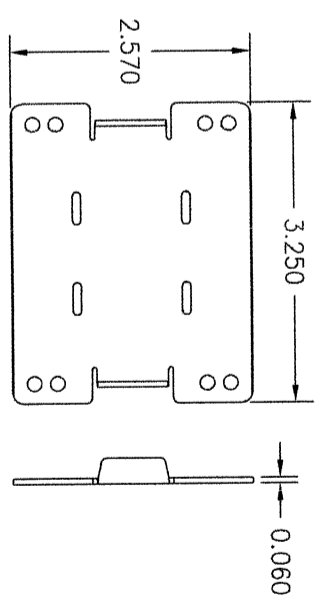
⑥ 3-PIECE CLIP RECEIVER  
(50 KSI STEEL)



④ FRAME INSTALLATION CLIP  
(50 KSI STEEL)

LONG CLIP USED WITH 3-PIECE CLIP SYSTEM (TYPICALLY USED WITH 2X6 BUCK SUBSTRATE, BUT MAY ALSO BE USED WITH 2X4)

THIS PORTION MAY BE BENT OR REMOVED IF IT INTERFERES WITH THE SUBSTRATE



⑦ 3-PIECE CLIP BASE  
(33 KSI STEEL)

NO.	REVISION DESCRIPTION	BY	DATE

DRAWN BY: W.R.M.  
CHECKED BY: W.M.S.  
DATE: 07/21/11

DRAWING TITLE: PELLA/ARCHITECT SERIES NON-IMPACT CLAD SHAPED FIXED CASEMENT WINDOW

CONSULTANTS: W. W. SCHAEFER ENGINEERING & CONSULTING, P.A.  
25601 AYSEN DRIVE  
PUNTA GORDA, FL 33983  
PHONE: 561-744-3424

MANUFACTURER: PELLA CORPORATION  
102 MAIN STREET  
PELLA, IA 50219  
641-621-1000

CERTIFICATION

WARREN W. SCHAEFER, P.E.  
P.E. NO. 44135

DRAWING NO. 1603A  
REV. D  
SHEET NO. 4 OF 4