

**EVALUATION REPORT OF  
CENTRAL STATES MANUFACTURING, INC.  
'29 GA. PANEL-LOC PLUS PANEL'**

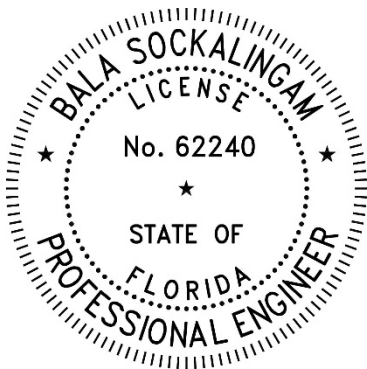
**FLORIDA BUILDING CODE 8TH EDITION (2023)  
FLORIDA PRODUCT APPROVAL  
FL 14024.1-R5  
PANEL WALLS  
SIDING**

**Prepared For:  
Central States Manufacturing, Inc.  
302 Jane Place  
Lowell, AR 72745  
Telephone: (800) 356-2733  
Fax: (800) 356-2971**

**Prepared By:  
Bala Sockalingam, Ph.D., P.E.  
Florida Professional Engineer #62240  
1216 N Lansing Ave., Suite C  
Tulsa, OK 74106  
Telephone: (918) 492-5992**

**This report consists of  
Evaluation Report (2 Pages including cover)  
Installation Details (1 Page)**

**Report No. C2718-1  
Date: 9.2.2023**



This item has been digitally signed and sealed by Bala Sockalingam, PE, on the date indicated.

Printed copies of this document are not considered signed and sealed and this signature must be verified on any electronic copies.

Manufacturer: Central States Manufacturing, Inc.

Product Name: Panel-Loc Plus Panel

Panel Description: 36" wide coverage with (5) 3/4" high ribs

Materials: Min. 29 ga., 80 ksi steel or min. 24 ga., 50 ksi steel. Galvanized coated steel (ASTM A653) or Galvalume coated steel (ASTM A792) or painted steel (ASTM A755) as per FBC 2023 Section 1405.2

Supports or Sheathings: Min. 15/32" thick plywood sheathing or min. nominal 1" x 4" dimensional lumber. Fastened to wood supports at maximum 24" o.c. Sheathing and support connections must be designed to resist all loads and installed as per FBC 2023. Vapor barrier must be installed over sheathing in accordance with manufacturer's installation procedure.

Outward Pressure: 101.0 psf at fastener spacing of 24 o.c.  
(Factor of Safety = 2) 168.5 psf at fastener spacing of 12 o.c.

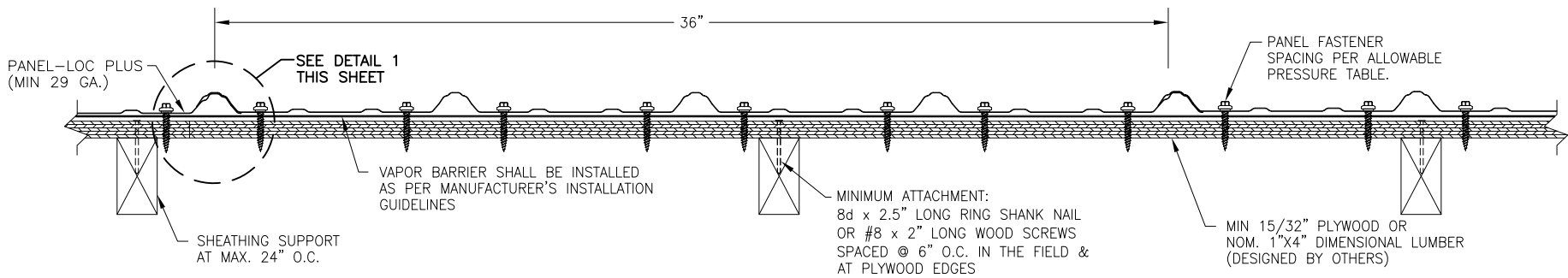
Panel Attachment: #10 x 1.5" long Kwikseal II Woodbinder screws with sealing washer or approved equal. Fasteners are spaced at 6"-3"-6" o.c. across panel width at all locations. Fasteners are corrosion resistant.

Test Standards: Wall assembly tested in accordance with TAS 125-03 'Standard Requirements for Metal Roofing Systems'.

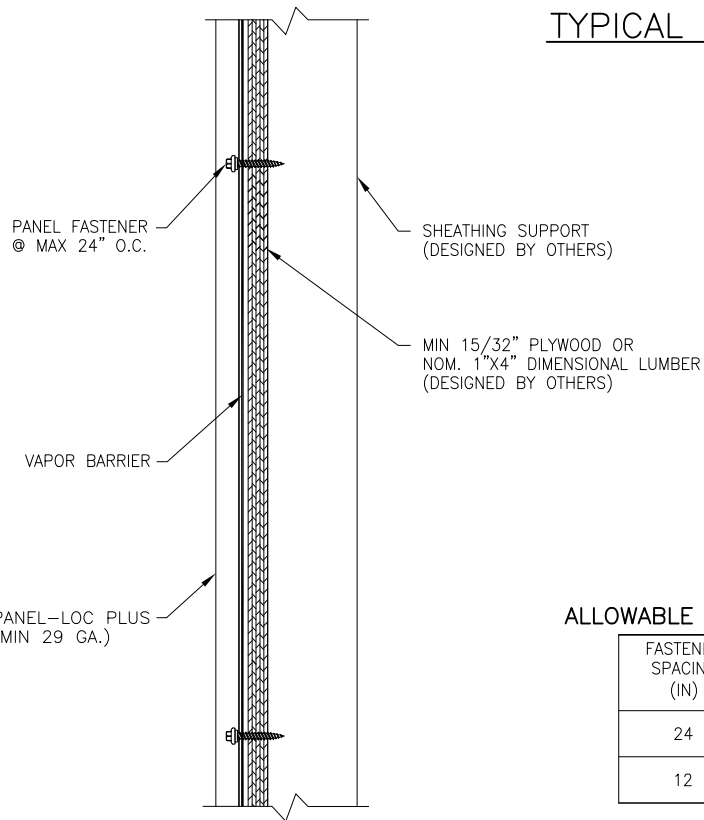
Code Compliance: The product described herein has demonstrated compliance with FBC 2023 Section 1404.5.

Product Limitations: Design wind loads shall be determined for each project in accordance with FBC 2023 Section 1609 or ASCE 7-22 using allowable stress design. The maximum fastener spacing listed herein shall not be exceeded. Panels will be installed as per manufacturer's installation guideline. This evaluation report is not applicable in High Velocity Hurricane Zone.

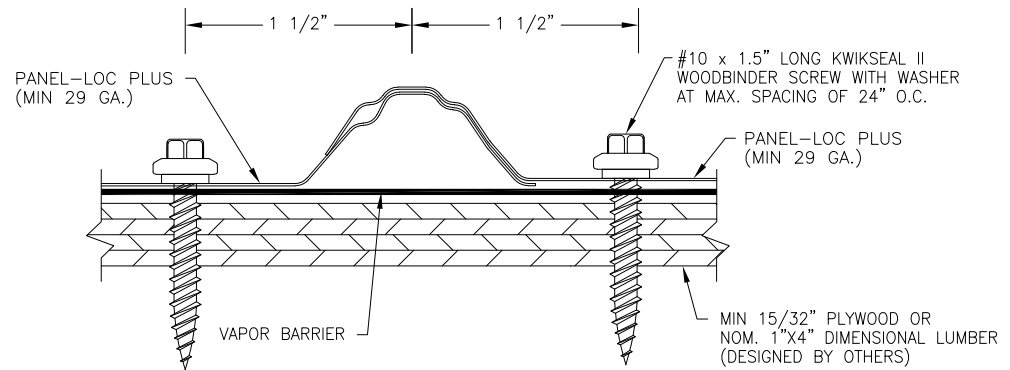
Supporting Documents: TAS 125-03 Test Report  
Force Engineering and Testing Inc.  
Report No. 410-0226T-11A-C, Reporting Date 11/14/2011



### TYPICAL PANEL INSTALLATION X-SECTION



SECTION VIEW



DETAIL 1

#### ALLOWABLE OUTWARD PRESSURE

FASTENER SPACING (IN)	PRESSURE (PSF)
24	101.0
12	168.5

#### GENERAL NOTES:

1. WALL PANEL HAS BEEN DESIGNED IN ACCORDANCE WITH THE FLORIDA BUILDING CODE (FBC).
2. WALL PANELS ARE SHALL BE 29 GA. EFFECTIVE COVERING WIDTH OF PANEL = 36".
3. WALL PANELS SHALL BE INSTALLED OVER SHEATHING & STRUCTURE AS SPECIFIED ON THIS DRAWING.
4. REQUIRED DESIGN WIND LOADS SHALL BE DETERMINED FOR EACH PROJECT. THIS PANEL SYSTEM MAY NOT BE INSTALLED WHEN THE REQUIRED DESIGN WIND LOADS ARE GREATER THAN THE ALLOWABLE WIND LOAD TABLE.
5. ALL FASTENERS MUST BE IN ACCORDANCE WITH THIS DRAWING & THE FLORIDA BUILDING CODE. IF A DIFFERENCE OCCURS BETWEEN THE MINIMUM REQUIREMENTS OF THIS DRAWING & THE CODE, THE CODE SHALL CONTROL.
6. WALL SUPPORTS MUST BE DESIGNED TO WITHSTAND WIND LOADS AS REQUIRED FOR EACH APPLICATION AND ARE THE RESPONSIBILITY OF OTHERS.

DRAWN BY: B.S.	CHECKED BY: T.A.
PLOT:	DATE: 1/5/2023
NO.	REVISION DESCRIPTION

DRAWING TITLE PANEL-LOC PLUS PANEL	MANUFACTURER CENTRAL STATES MANUFACTURING, INC.
	302 JANE PLACE LOWELL, AR 72745 800-356-2733
CONSULTANTS BALA SOCKALINGAM, PH.D., P.E.	1216 N. LANSING AVE. SUITE C TULSA, OK 74106 PHONE: 918-492-5992 FAX: 866-366-1543

DRAWING NO. 2718-1	REV.
PAGE NO. 1	OF 1