

**EVALUATION REPORT OF  
CENTRAL STATES MANUFACTURING, INC.  
'29 GA. PANEL-LOC PLUS PANEL'**

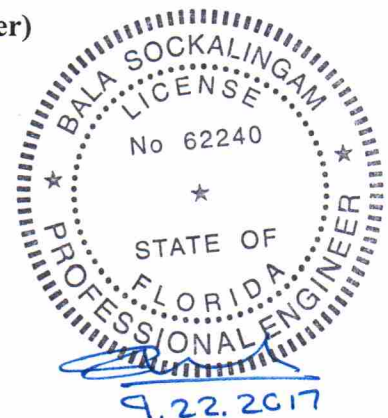
**FLORIDA BUILDING CODE 6TH EDITION (2017)  
FLORIDA PRODUCT APPROVAL  
FL 14026.3-R4  
ROOFING  
METAL ROOFING**

**Prepared For:  
Central States Manufacturing, Inc.  
302 Jane Place  
Lowell, AR 72745  
Telephone: (800) 356-2733  
Fax: (800) 356-2971**

**Prepared By:  
Bala Sockalingam, Ph.D., P.E.  
Florida Professional Engineer #62240  
1216 N Lansing Ave., Suite C  
Tulsa, OK 74106  
Telephone: (918) 492-5992  
FAX: (866) 366-1543**

**This report consists of  
Evaluation Report (3 Pages including cover)  
Installation Details (1 Page)**

**Report No. C2085-3  
Date: 9.22.2017**



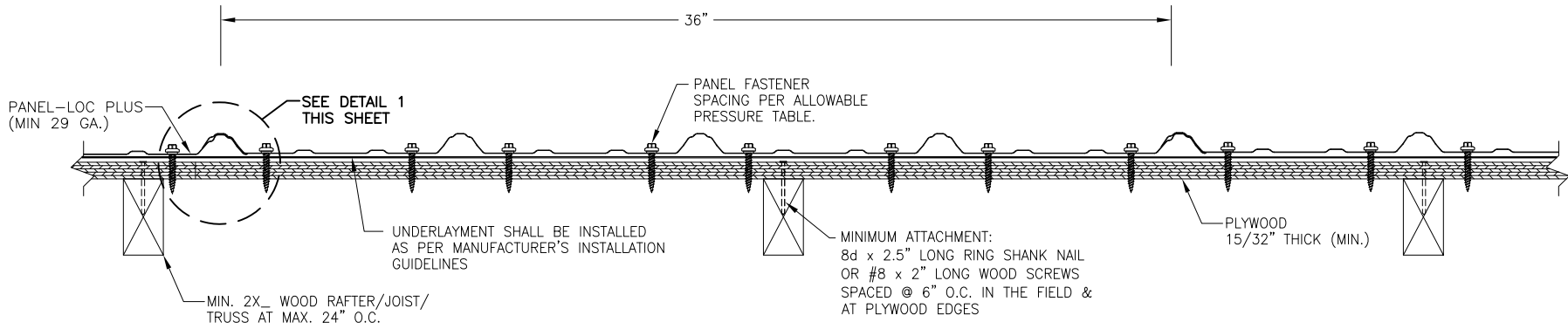
Manufacturer:	Central States Manufacturing, Inc.
Product Name:	Panel-Loc Plus Panel
Panel Description:	36" wide coverage with (5) 3/4" high ribs
Materials:	Min. 29 ga., 80 ksi steel or min. 24 ga., 50 ksi steel. Galvanized coated steel (ASTM A653) or Galvalume coated steel (ASTM A792) or painted steel (ASTM A755).
Deck Description:	Min. 15/32" thick plywood or min. 3/4" thick wood plank (min SG of 0.42) for new and existing constructions. Designed by others and installed as per FBC 2017.
Deck Attachment: (Minimum)	8d x 2.5" long ring shank nails or #8 x 2" long wood screws @ 6" o.c. in the plywood field and edges.
Underlayment:	Minimum underlayment as per FBC 2017 Section 1507.4.5.1
Slope:	In accordance with FBC 2017 Section 1507.4.2. Requires applied lap sealant for roof slopes less than 3:12.
Design Uplift Pressure: (Factor of Safety = 2)	101.0 psf at fastener spacing of 24 o.c. 168.5 psf at fastener spacing of 12 o.c.
Panel Attachment:	#10 x 1.5" long Kwikseal II Woodbinder screws with sealing washer or approved equal. Fastener shall be of sufficient length to penetrate through the deck a minimum of 1/4" and spaced at 6"-3"-6" o.c. across panel width at all locations.
Wood Purlin: (Optional)	Nom. 1" x 4" SYP wood purlins fastened through plywood into rafter with #8 x 3" long screws at maximum 24" o.c. spacing. Panel fastener shall be of sufficient length to penetrate through wood purlins and deck a minimum of 1/4".
Test Standards:	Roof assembly tested in accordance with TAS 125-03 'Standard Requirements for Metal Roofing Systems'.
Code Compliance:	The product described herein has demonstrated compliance with FBC 2017 Section 1507.4.
Product Limitations:	Design wind loads shall be determined for each project in accordance with FBC 2017 Section 1609 or ASCE 7-10 using allowable stress design. The maximum fastener spacing listed herein shall not be exceeded. Panels will be installed as per manufacturer's installation guideline. This evaluation report is not applicable in High Velocity

Hurricane Zone. Fire classification is not within scope of this Evaluation Report. Refer to FBC 2017 Section 1505 and current approved roofing materials directory or ASTM E108/UL790 report from an accredited laboratory for fire ratings of this product.

Supporting Documents: TAS 125-03 Test Report  
Force Engineering and Testing Inc.  
Report No. 410-0226T-11A-C, Reporting Date 11/14/2011

DRAWN BY: B.S.  
 CHECKED BY: A.H.  
 PLOT: DATE: 10/21/15

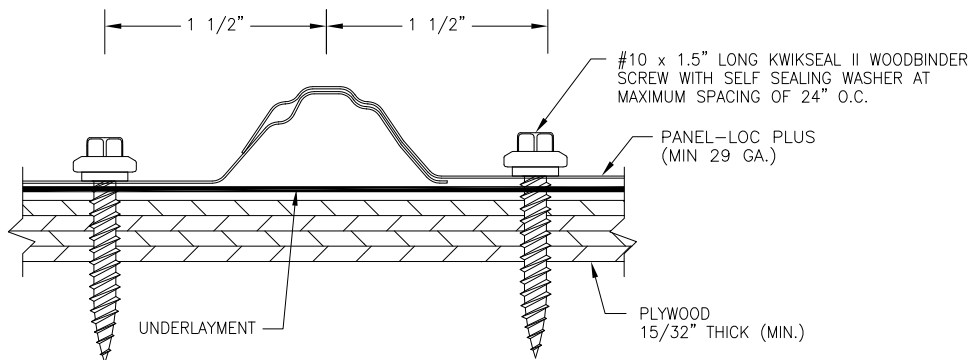
NO.	REVISION DESCRIPTION	BY	DATE



**TYPICAL PANEL INSTALLATION X-SECTION**

**ALLOWABLE UPLIFT PRESSURE**

FASTENER SPACING (IN)	PRESSURE (PSF)
24	101.0
12	168.5



**DETAIL 1**

**GENERAL NOTES:**

1. ARCHITECTURAL ROOF PANEL HAS BEEN DESIGNED IN ACCORDANCE WITH THE FLORIDA BUILDING CODE (FBC).
2. ROOF PANELS ARE SHALL BE 29 GA. EFFECTIVE COVERING WIDTH OF PANEL = 36".
3. ROOF PANELS SHALL BE INSTALLED OVER SHEATHING & STRUCTURE AS SPECIFIED ON THIS DRAWING.
4. REQUIRED DESIGN WIND LOADS SHALL BE DETERMINED FOR EACH PROJECT. THIS PANEL SYSTEM MAY NOT BE INSTALLED WHEN THE REQUIRED DESIGN WIND LOADS ARE GREATER THAN THE ALLOWABLE WIND LOAD TABLE.
5. ALL FASTENERS MUST BE IN ACCORDANCE WITH THIS DRAWING & THE FLORIDA BUILDING CODE. IF A DIFFERENCE OCCURS BETWEEN THE MINIMUM REQUIREMENTS OF THIS DRAWING & THE CODE, THE CODE SHALL CONTROL.
6. RAFTERS/JOISTS/TRUSSES MUST BE DESIGNED TO WITHSTAND WIND LOADS AS REQUIRED FOR EACH APPLICATION AND ARE THE RESPONSIBILITY OF OTHERS.

DRAWING TITLE: **PANEL-LOC PLUS PANEL**  
 MANUFACTURER: **CENTRAL STATES MANUFACTURING, INC.**  
 CONSULTANTS: **BALA SOCKALINGAM, PH.D., P.E.**  
 1216 N. LANSING AVE., SUITE C  
 TULSA, OK 74106  
 PHONE: 918-492-9992 FAX: 866-366-1543  
 302 JANE PLACE  
 LOWELL, AR 72745  
 800-356-2733

DRAWING NO: **2185-3** REV.  
 PAGE NO. **1** OF **1**