

**EVALUATION REPORT OF
CENTRAL STATES MANUFACTURING, INC.
'24 GA. CENTRAL SNAP PANEL'**

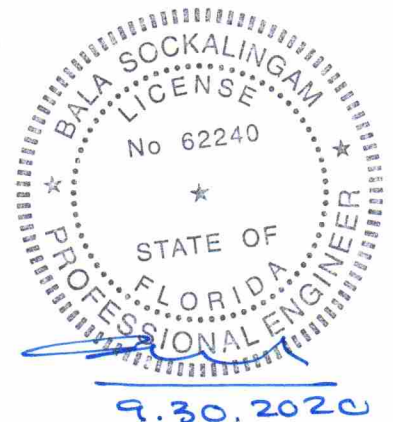
**FLORIDA BUILDING CODE 7TH EDITION (2020)
FLORIDA PRODUCT APPROVAL
FL 14026.1-R5
ROOFING
METAL ROOFING**

**Prepared For:
Central States Manufacturing, Inc.
302 Jane Place
Lowell, AR 72745
Telephone: (800) 356-2733
Fax: (800) 356-2971**

**Prepared By:
Bala Sockalingam, Ph.D., P.E.
Florida Professional Engineer #62240
1216 N Lansing Ave., Suite C
Tulsa, OK 74106
Telephone: (918) 492-5992
FAX: (866) 366-1543**

**This report consists of
Evaluation Report (3 Pages including cover)
Installation Details (1 Page)**

**Report No. C2399-1
Date: 9.30.2020**



Manufacturer: Central States Manufacturing, Inc.

Product Name: Central Snap Panel

Panel Description: Standing seam panel with 18" wide coverage and 1.75" high ribs

Materials: Minimum 24 ga., 50 ksi steel. Galvanized coated steel (ASTM A653) or Galvalume coated steel (ASTM A792) or painted steel (ASTM A755). Corrosion resistant as per FBC 2020 Section 1507.4.3.

Deck Description: Min. 15/32" thick APA rated plywood or min. 3/4" thick wood plank (min SG of 0.42) for new and existing constructions. Designed by others and installed as per FBC 2020.

Underlayment: Minimum underlayment as per FBC 2020 Section 1507.4.5.1.

Slope: 1/4:12 or greater in accordance with FBC 2020 Section 1507.4.2

Design Uplift Pressure: 45.0 psf @ clip spacing of 36" o.c.
(Factor of Safety = 2) 67.5 psf @ clip spacing of 12" o.c.

Fastening Pattern:
At panel seam Panel clip (CSLCLP) with (2) #10-12 x 1.5" long pancake head screws per clip. Fastener shall be of sufficient length to penetrate through the deck a minimum of 1/4". Clips and fasteners are corrosion resistant as per FBC 2020 Section 1506.7 and 1507.4.4, respectively.

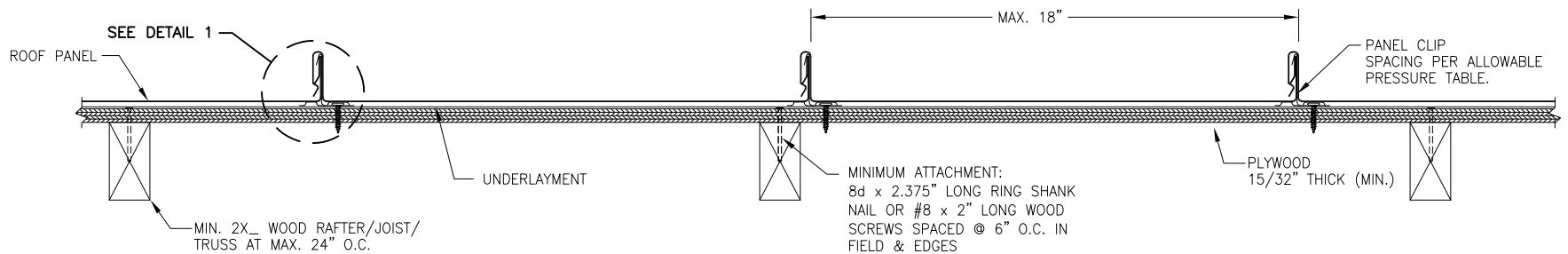
Test Standards: Roof assembly tested in accordance with UL580-06 'Uplift Resistance of Roof Assemblies' & UL1897-04 'Uplift Tests for Roof Covering Systems'.

Test Equivalency: The test procedures in UL 1897-04 comply with test procedures prescribed in UL 1897-12.

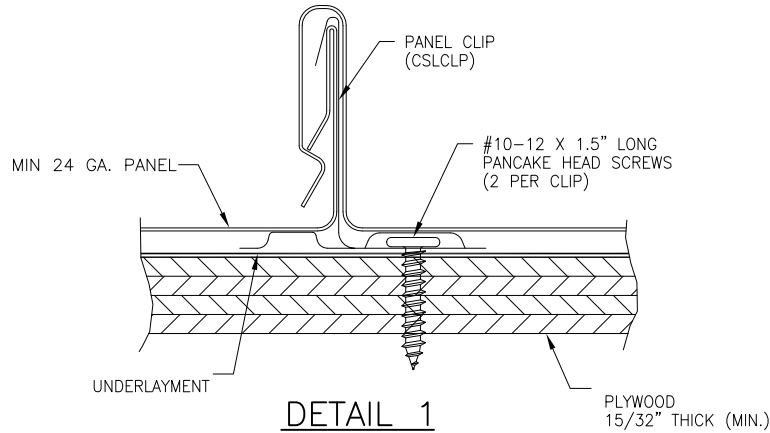
Code Compliance: The product described herein has demonstrated compliance with FBC 2020 Section 1507.4.

Product Limitations: Design wind loads shall be determined for each project in accordance with FBC 2020 Section 1609 or ASCE 7-16 using allowable stress design. The maximum clip spacing listed herein shall not be exceeded. This product is not approved for use in the High Velocity Hurricane Zone. Fire classification is not within scope of this Evaluation Report. Refer to FBC 2020 Section 1505 and current approved roofing materials directory or ASTM E108/UL790 report from an accredited laboratory for fire ratings of this product.

Supporting Documents: UL580 & UL1897 Test Report
PRI Construction Materials Technologies
FAE-016-02-01, Reporting Date 2/10/12

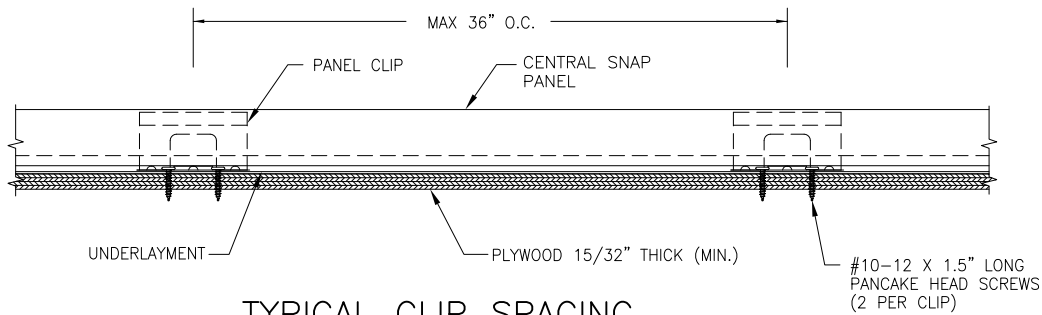


TYPICAL PANEL INSTALLATION X-SECTION



ALLOWABLE UPLIFT PRESSURE

CLIP SPACING (IN)	PRESSURE (PSF)
36	45.0
24	67.5



TYPICAL CLIP SPACING

GENERAL NOTES:

1. ARCHITECTURAL STANDING SEAM ROOF PANEL HAS BEEN DESIGNED IN ACCORDANCE WITH THE FLORIDA BUILDING CODE (FBC).
2. ROOF PANELS SHALL BE MIN. 24 GA. MAX. EFFECTIVE COVERING WIDTH OF PANEL = 18".
3. THE ROOF PANELS SHALL BE INSTALLED OVER SHEATHING & STRUCTURE AS SPECIFIED ON THIS DRAWING.
4. REQUIRED DESIGN WIND LOADS SHALL BE DETERMINED FOR EACH PROJECT. THIS PANEL SYSTEM MAY NOT BE INSTALLED WHEN THE REQUIRED DESIGN WIND LOADS ARE GREATER THAN THE DESIGN UPLIFT PRESSURES SPECIFIED ON THIS DRAWING.
5. ALL FASTENERS MUST BE IN ACCORDANCE WITH THIS DRAWING & THE FLORIDA BUILDING CODE. IF A DIFFERENCE OCCURS BETWEEN THE MINIMUM REQUIREMENTS OF THIS DRAWING & THE CODE, THE CODE SHALL CONTROL.
6. RAFTERS/JOISTS/TRUSSES MUST BE DESIGNED TO WITHSTAND WIND LOADS AS REQUIRED FOR EACH APPLICATION AND ARE THE RESPONSIBILITY OF OTHERS.

DRAWN BY:	B.S.	CHECKED BY:	S.H.
PLOT:		DATE:	9/28/20
NO.	REVISION	DESCRIPTION	
DRAWING TITLE			
CENTRAL SNAP PANEL			
<small>MANUFACTURER</small>			
BALA SOCKALINGAM, PH.D., P.E.			
<small>CONSULTANTS</small>			
CENTRAL STATES MANUFACTURING, INC.			
<small>302 JANE PLACE</small>			
<small>LOWELL, AR 72745</small>			
<small>800-356-2733</small>			
<small>1216 N LANSING AVE, SUITE C</small>			
<small>TULSA, OK 74106</small>			
<small>PHONE: 918-492-5992 FAX: 866-366-1543</small>			
<small>DRAWING NO.</small>		<small>REV.</small>	
2399-1		1	
<small>PAGE NO.</small>			
1 OF 1			