

Evaluation Report "FW-12" Panel with Seamlock" Metal Wall/soffit Assembly

Manufacturer:
Berridge Manufacturing Company

**1720 Maury Road
Houston, TX 77026
(800) 231-8127**

for

Florida Product Approval

FL 17437.1 R4

Florida Building Code 8th Edition (2023)

Method: 2 - B

Category: Structural Components

Sub - Category: Structural Wall

Product: "FW-12" Wall Panel
with Seamlock

Material: Steel or Aluminum

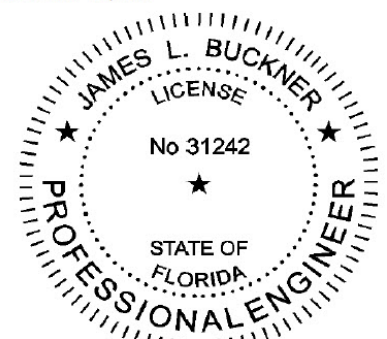
Prepared by:

James L. Buckner, P.E., S.E.C.B.
Florida Professional Engineer # 31242
Florida Evaluation ANE ID: 1916
Project Manager: Diana Galloway
Report No. 23-542-FW12-ER
(Revises Report No. 20-227-FW12-ER, FL17437.1 R3)
Date: 09/26/2023

Contents:

Evaluation Report Pages 1 – 11

This item has been digitally signed and sealed by James L. Buckner, P.E., on this date below. Printed copies of this document are not considered signed and sealed, and the signature must be verified on any electronic copies.



James L. Buckner, P.E.
FL31242

Date: 2023.09.26 15:25:27
-04'00

Manufacturer:	Berridge Manufacturing Company 1720 Maury Road Houston, TX 77026 (800) 231-8127 www.berridge.com
Product Name:	"FW-12" Panel with Seamlock
Product Category:	Structural Components
Product Sub-Category	Structural Wall
Compliance Method:	State Product Approval Rule 61G20.005 (2) (b)
Product/System Description:	"FW-12" Panel Structural wall/soffit panels with concealed fasteners, a flush seam and interlocking seam edge with seam lock feature designed to resist panel disengagement.
Product Assembly as Evaluated:	Refer to Page 4 of this report for product assembly components/materials & standards: <ol style="list-style-type: none">1. Wall/Soffit Panel2. Fasteners
Support:	<u>Type 1:</u> Steel Supports (Design of steel support and its attachment to support framing is outside the scope of this evaluation.) Description: Material: Steel Thickness: 16 Gauge minimum Yield Strength: 40 ksi minimum Girt/Stud Size: 2" min. flange bearing <u>Type 2:</u> Wood Supports (Design of wood supports and its attachment to support framing is outside the scope of this evaluation.) Description: <ul style="list-style-type: none">• Description: Wood Battens• Size: 2"x 2" (min. thickness) Dimensional Lumber• Spacing: Per Table "A"
Performance:	Wind Uplift Resistance: Refer to TABLE A <ul style="list-style-type: none">• Design Uplift Pressure: (Refer to "Table A" attachment details herein)

Performance Standards:	The product described herein has demonstrated compliance with: ASTM E 1592-05 (2017) – <i>Test Method for Structural Performance of Sheet Metal Wall/soffit and siding Systems By Uniform Static Air Pressure Difference</i>
Standards Equivalency:	The ASTM E 1592-01 standard version used to test the evaluated product assembly is equivalent with the prescribed standards in ASTM E 1592-05 (2017) adopted by the Florida Building Code 8th Edition (2023).
Code Compliance:	The product described herein has demonstrated compliance with Florida Building Code 8th Edition (2023), Section 1708.2.
Evaluation Report Scope:	This product evaluation is limited to compliance with the structural requirements of the Florida Building Code, as related to the scope section to Florida Product Approval Rule 61G20.001.
Limitations and Conditions of Use:	<ul style="list-style-type: none">• Soffit panels shall comply with labeling requirements per FBC Section 1709.1.• Diaphragm and axial load capacity is outside the scope of this evaluation.• <u>Scope of “Limitations and Conditions of Use” for this evaluation:</u> This evaluation report for “Optional Statewide Approval” contains technical documentation, specifications and installation method(s) which include “Limitations and Conditions of Use” throughout the report in accordance with Rule 61G20-3.005. Per Rule 61G20-3.004, the Florida Building Commission is the authority to approve products under “Optional Statewide Approval”.• <u>Option for application outside “Limitations and Conditions of Use”</u> Rule 61G20-3.005(1)(e) allows engineering analysis for “project specific approval by the local authorities having jurisdiction in accordance with the alternate methods and materials authorized in the Code”. Any modification of the product as evaluated in this report and approved by the Florida Building Commission is outside the scope of this evaluation and will be the responsibility of others.• This report is a building code product evaluation per FLPE rule (FAC) 61G15-36 to comply with Florida product approval rule (FAC) 61G20-3. This evaluation report is part of the Florida Building Commission approval for the listed code related criteria. This report by James Buckner, P.E. and CBUG Engineering is not a design certification of code compliance construction submittal documentation, per FBC section 107, for any individual structure, site specific or permit design.• All metal components and fasteners shall be corrosion resistant in accordance with applicable sections of FBC.• Design of support system is outside the scope of this report. Support shall be designed by others and shall comply with the FBC Chapters 22 for steel and Chapter 16 for structural loading.• Fire Classification is outside the scope of Rule 61G20-3, and is therefore not included in this evaluation.• Design of support system is outside the scope of this report. Support shall be designed by others and shall comply with the FBC Chapters 22 for steel.• This evaluation report does not evaluate the use of this product for use in the High Velocity Hurricane Zone code section. (Dade & Broward Counties)

Quality Assurance: The manufacturer has demonstrated compliance of products in accordance with the Florida Building Code and Rule 61G20.0005 (3) for manufacturing under a quality assurance program audited by an approved quality assurance entity through UL, LLC (FBC Organization #: QUA 9625).

**Components/Materials
(by Manufacturer):**

Wall/Soffit Panel: Berridge "FW-12" Panel
Panel Width: 12" Coverage
Rib Height: 1-1/2"
Material Type 1: **Aluminum**
Thickness: 0.032" Or 0.040"
Alloy Type: 3105-H14, in compliance with ASTM B 209
Corrosion Resistance: In compliance with FBC Section 1405.2
Material Type 2: **Steel**
Thickness: 24 gauge
Yield Strength: 50 ksi min.
Steel Grade: 40
Corrosion Resistance: In compliance with FBC Section 1405.2

Fastener:

FASTENER #1 (Steel supports):

Type: Hex-Washer-Head Self-Drilling Screw
Size : **#12** - 14 x 1-1/4" with 5/8" washer head
Corrosion Resistance: Per FBC Section 1405.17
Standard: Per SAE J78-1979

FASTENER #2 (Wood supports):

Type: Hex-Head Self-Tapping Wood Screw with WSW
Size : **#10** x 1-1/4" with weather sealing washer
Corrosion Resistance: Per FBC Section 1506.6 and 1507.4.4
Standard: Per ANSI/ASME B18.6.1

Installation:

Installation Method:

(Refer to “**TABLE A**” and drawings at the end of this report.)

Install per the following:

- Support spacing: Per Table “A”
- Fastener spacing: Per Table “A”
- Two (2) fasteners per max. support (girt/stud) and panel lap intersections
- Fasteners shall be centered in the flange of each attachment point.
- Panel ribs shall be fully engaged to form an integral interlock.
- Minimum fastener penetration thru flange of steel support: 3/4”.
- Wall Panels are to be installed vertically.

Install the “FW-12” wall panel assembly in compliance with the installation method listed in this report and applicable code sections of FBC 8th Edition (2023). The installation method described herein is in accordance with the scope of this evaluation report. Refer to manufacturer’s installation instructions as a supplemental guide for attachment.

“FW-12” Panel Attachment Data

TABLE “A” ALLOWABLE LOADS										
	Application Type	Material Type	Panel Thickness	Fastener Type (Per Pg 4)	Support Type	Support Spacing (y) (max.)	Fastener Spacing (x) (exposure)	# Fasteners Per Attachment	Span Condition	Design Pressure
1.	Soffit/Wall	Steel	24 ga.	#10	Wood Battens	60” (5’- 0”)	12”	2	3 or more	- 31.2 PSF
2.	Soffit/Wall	Steel	24 ga.	#10	Wood Battens	24” (2’- 0”)	12”	2	3 or more	- 67.5 PSF
3.	Soffit/Wall	Steel	24 ga.	#12	Steel Girts	60” (5’- 0”)	12”	2	3 or more	- 31.2 PSF
4.	Soffit/Wall	Steel	24 ga.	#12	Steel Girts	24” (2’- 0”)	12”	2	3 or more	- 67.5 PSF
5.	Soffit/Wall	Alum	0.032”	#12	Steel Girts	24” (2’- 0”)	12”	2	3 or more	- 52 PSF
6.	Soffit/Wall	Alum	0.040”	#12	Steel Girts	24” (2’- 0”)	12”	2	3 or more	- 78 PSF

NOTES:

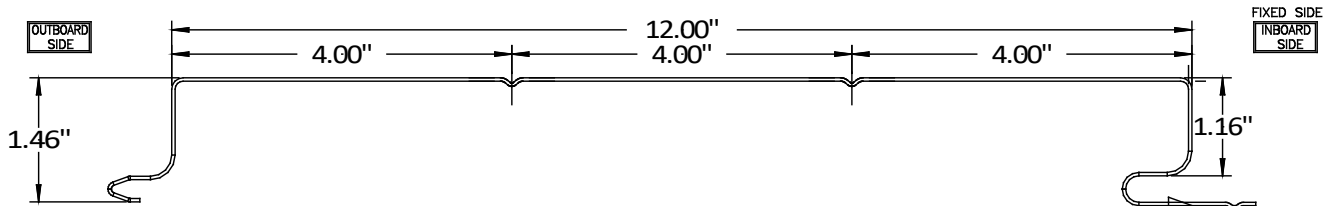
- Negative Pressure Outward/Positive Pressure Inward
- Allowable design pressure(s) for allowable stress design (ASD).
- Fastener Attachment to Steel Supports May Be Designed By A Qualified Design Professional As Required By The Florida Building Code For Site Specific Projects.
- Diaphragm and axial load capacity are not included in this evaluation

Referenced Data:

1. TAS 125-03 Uplift Test (per ASTM E 1592-01)
By Force Engineering & Testing Inc., Inc. (FBC Organization #TST ID:5328)
Report # 49-0022T-14A,B, (Alum) Report Date: 3/6/14
2. TAS 125-03 Uplift Test (per ASTM E 1592-01)
By Force Engineering & Testing Inc., Inc. (FBC Organization #TST ID:5328)
Report # 49-0219T-12A,B, (Steel) Report Date: 9/17/12
3. Engineering Analysis
By CBUCK Engineering
4. Quality Assurance
UL, LLC (FBC Organization #: QUA 9625)
5. Certification of Independence
By James L. Buckner, P.E. @ CBUCK Engineering
(FBC Organization # ANE 1916)

Installation Method Berridge Manufacturing Company "FW-12" Wall/Soffit Panel

Profile Drawings

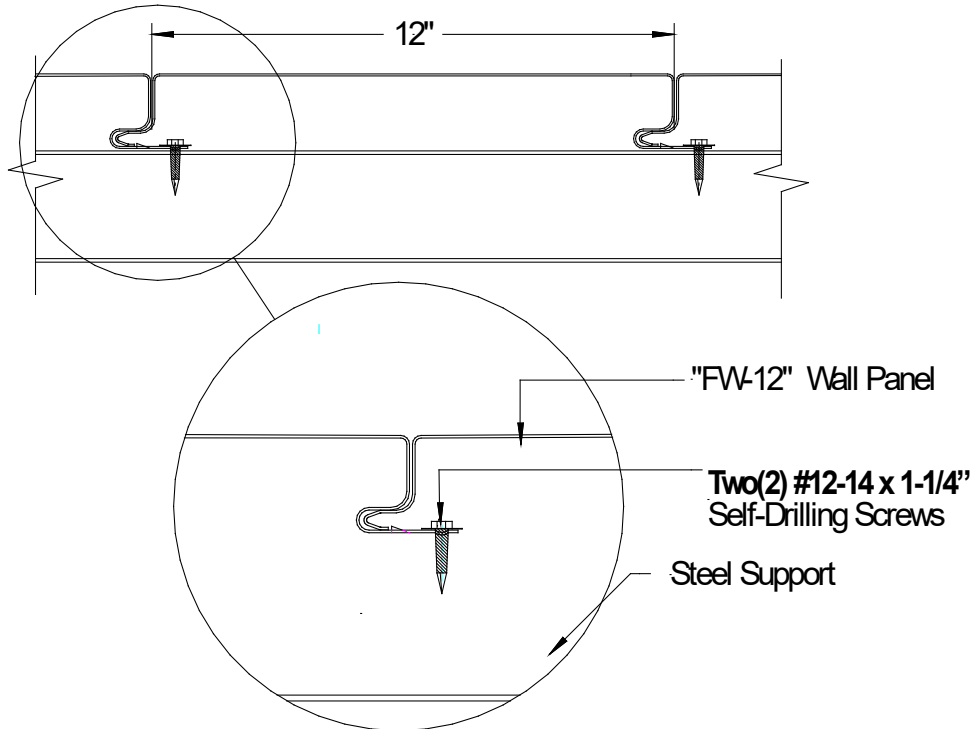


**Typical "FW-12" Panel
Profile View**

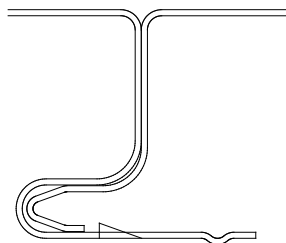
TABLE "A"										
ALLOWABLE LOADS										
	Application Type	Material Type	Panel Thickness	Fastener Type (Per Pg 4)	Support Type	Support Spacing (y) (max.)	Fastener Spacing (x) (exposure)	# Fasteners Per Attachment	Span Condition	Design Pressure
1.	Soffit/Wall	Steel	24 ga.	#10	Wood Battens	60" (5'- 0")	12"	2	3 or more	- 31.2 PSF
2.	Soffit/Wall	Steel	24 ga.	#10	Wood Battens	24" (2'- 0")	12"	2	3 or more	- 67.5 PSF
3.	Soffit/Wall	Steel	24 ga.	#12	Steel Girts	60" (5'- 0")	12"	2	3 or more	- 31.2 PSF
4.	Soffit/Wall	Steel	24 ga.	#12	Steel Girts	24" (2'- 0")	12"	2	3 or more	- 67.5 PSF
5.	Soffit/Wall	Alum	0.032"	#12	Steel Girts	24" (2'- 0")	12"	2	3 or more	- 52 PSF
6.	Soffit/Wall	Alum	0.040"	#12	Steel Girts	24" (2'- 0")	12"	2	3 or more	- 78 PSF

**"FW-12" Panel
Attachment Data**

**Installation Method
Berridge Manufacturing Company
"FW-12" Wall/Soffit Panel**

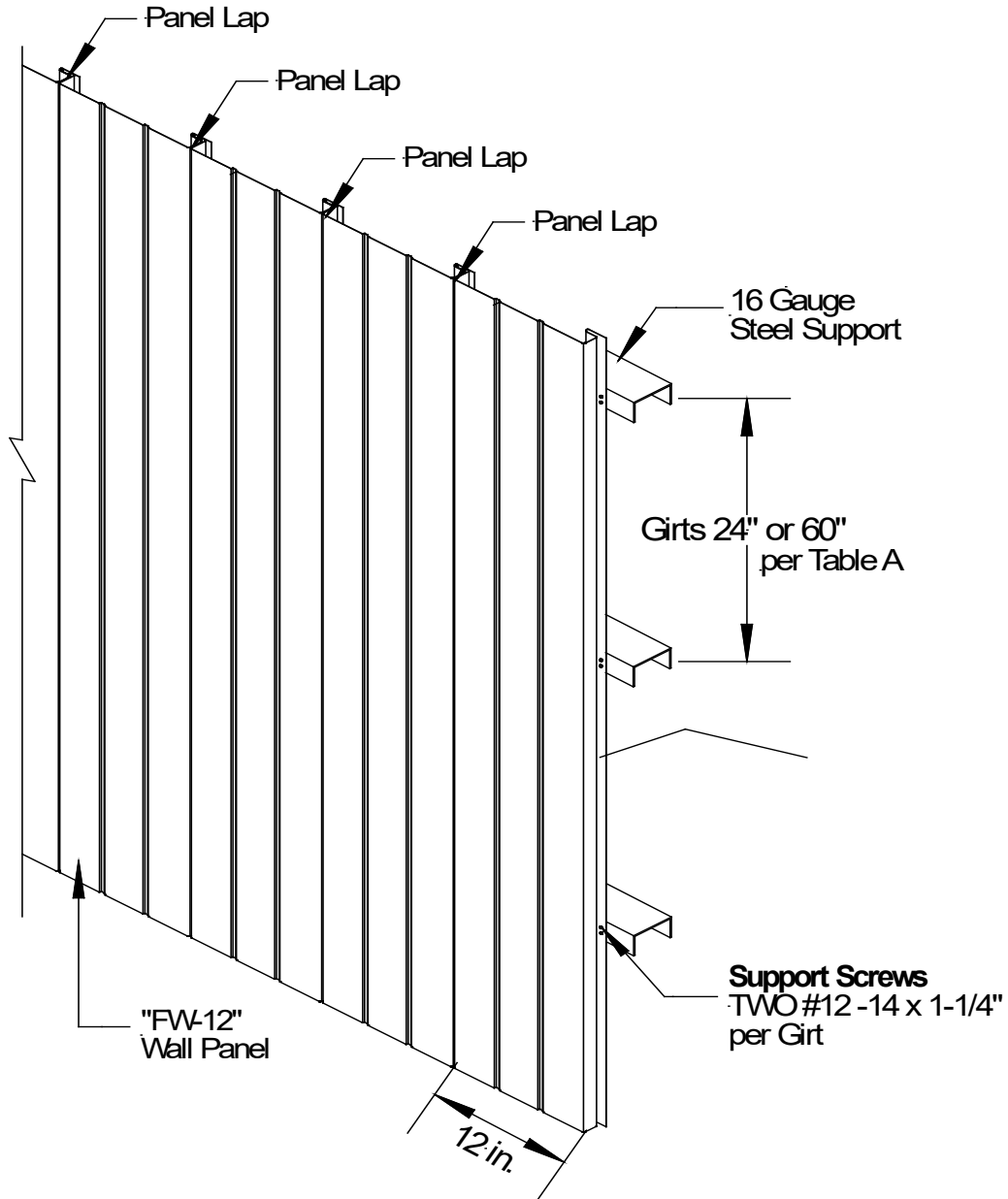


**Typical Panel Assembly
Section View**



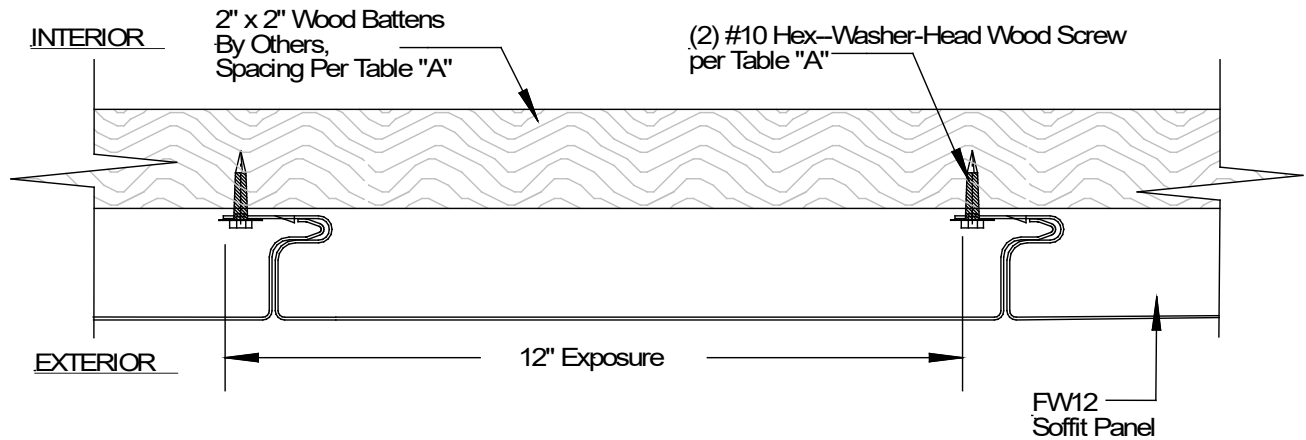
**"FW-12" Panel
Seamlock Detail View**

**Installation Method
Berridge Manufacturing Company
"FW-12" Wall/Soffit Panel**

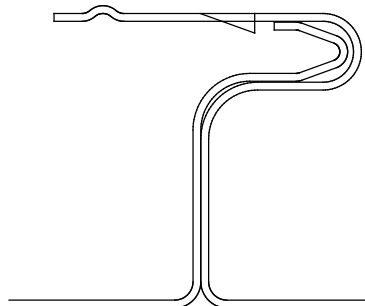


**Typical Elevation View
Outside Of Wall Assembly**

**Installation Method
Berridge Manufacturing Company
"FW-12" Wall/Soffit Panel**

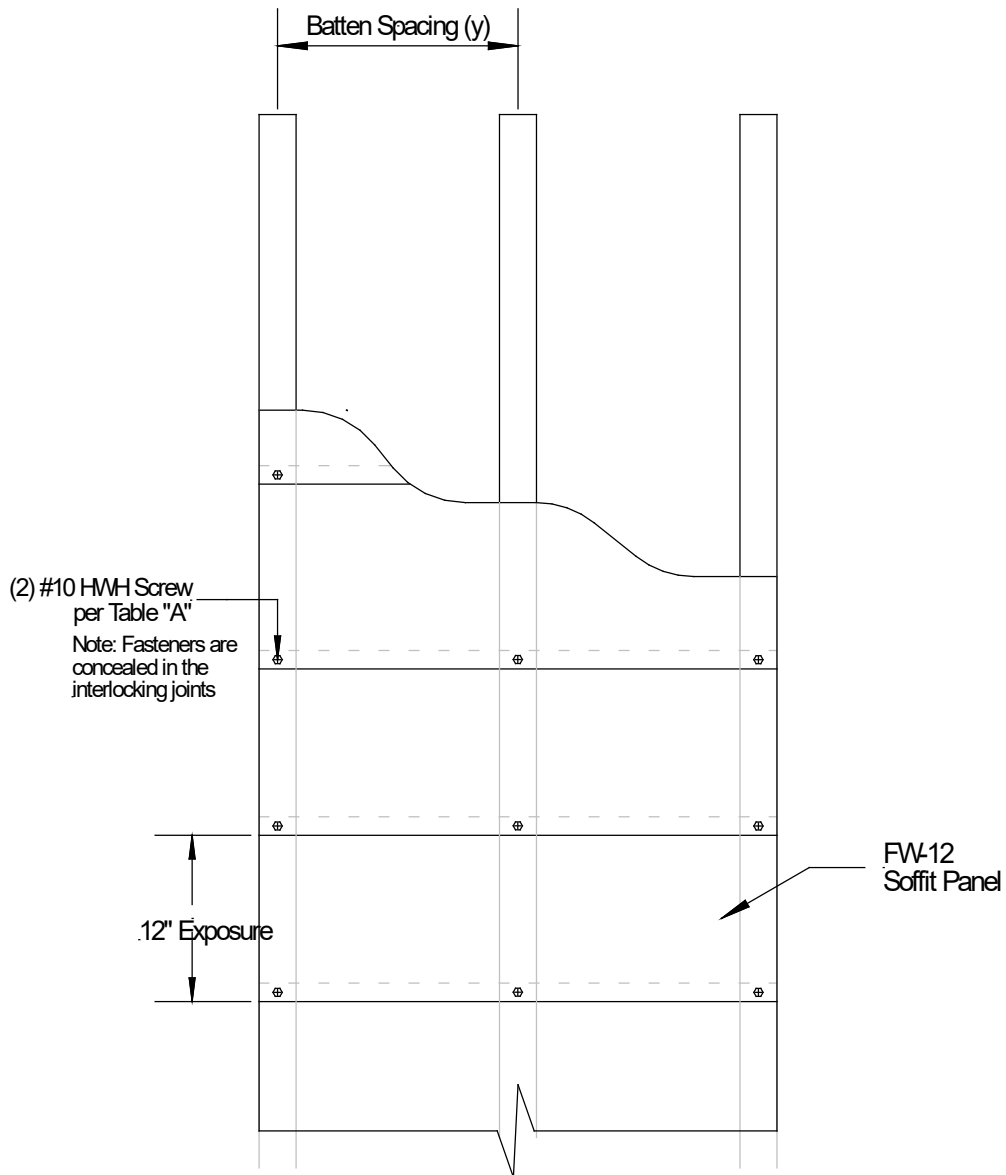


**Typical Soffit Section At Support
(Attachment To Wood Battens)
Assembly Side View**



**"FW-12" Panel
Seamlock Detail View**

**Installation Method
Berridge Manufacturing Company
"FW-12" Wall/Soffit Panel**



**Typical Assembly Plan View
Soffit Panel Attached To Wood Battens**