

PERFORMANCE TEST REPORT

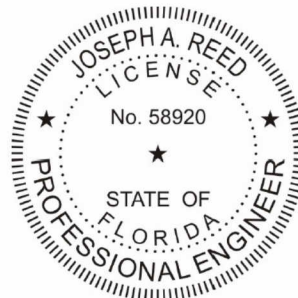
Rendered to:

GLASSCRAFT DOOR COMPANY

**PRODUCT TYPE: 6' x 8' Double Outswing Hardwood Door
with Half Circle Transom**

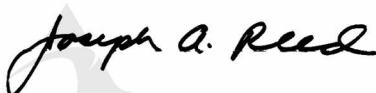
Title	Summary of Results
Uniform Load Deflection Test Pressure	+36.2 psf / -45.7 psf
Uniform Load Structural Test Pressure	+54.3 psf / -68.7 psf

Secure Electronic Seal
for Electronic Submittal



This report contains in its entirety:

- Cover Page: 1 page
- Report Body: 6 pages
- Sketch: 1 page
- Drawings: 5 pages



Digitally Signed by: Joseph A. Reed

Date: 2010.07.27 15:42:06 -04'00'

Reference should be made to Report No. 64138.01-801-44 for complete test specimen description and data.

PERFORMANCE TEST REPORT

Rendered to:

GLASSCRAFT DOOR COMPANY
2002 Brittmoore Road
Houston, Texas 77043-2209

Report No.: 64138.01-801-44

Revision 1: 07/27/10

Test Dates: 04/04/06

Through: 07/24/06

Report Date: 08/08/06

**Record Retention End Date: 07/24/10

Project Summary: Architectural Testing, Inc. was contracted by GlassCraft Door Company to perform testing on a 6' x 8' outswing hardwood door with half circle transom. Test specimen description and results are reported herein.

Test Method: The test specimen was evaluated in accordance with:

ASTM E 330-02, Test Method for Structural Performance of Exterior Windows, Curtain Walls and Doors by Uniform Static Air Pressure Difference

Test Specimen Description:

Product Type: 6' x 8' Outswing Hardwood Door with Half Circle Transom

Door Description

Overall Size: 74-1/8" wide by 97-3/4" high

Leaf Size (Active): 36" wide by 96" high

Leaf Size (Inactive): 35-1/2" wide by 96" high plus astragal

Glass Size: 21-5/8" wide by 67" high

Glazing Type: Sealed insulating glass comprised of one sheet of 1/8" thick tempered glass at the exterior and one sheet of 1/8" thick tempered decorative textured glass at the interior. The sheets were separated by a 1/2" aluminum spacer system providing a 3/4" overall thickness.

Test Specimen Description: (Continued)

Door Description (Continued)

Glazing Details: Interior glazed with double-sided butyl tape and a wood glazing bead secured by 1" x 0.040" x 0.050" rectangular shank 0.050" x 0.080" head brad nails (18 gauge brad nail) 1" from each corner and on 6" spacing thereafter.

Weatherstripping: One five finger vinyl sweep at the bottom of the door leaf. One row of custom shaped foam-filled vinyl weatherstrip at the head and jambs.

Frame Construction: The door frame was constructed of 4-5/8" by 1-1/4" hardwood head and jambs, a 3-1/4" x 1-3/8" hardwood T-astragal and included an adjustable extruded aluminum and composite threshold. The head and jambs were kerfed to accept the weatherstripping. The corners were coped and butted and secured with two #8 x 1-1/2" and five #8 x 3" screws at the threshold; and four #8 x 1-1/2" and two #8 x 3" screws at the head. The astragal was attached to the inactive panel with twelve #8 x 3" screws located 7" from each end and on 8" spacing.

Leaf Construction: The door leaf was constructed of 1-3/4" thick hardwood and utilized a glued cove and bead joint, reinforced with 1/2" diameter by 4-1/2" long wood dowels. Two dowels were located at the top and middle rail to stile joint, and four dowels were located at the bottom rail to stile joint.

Hardware: One Schlage F-300 Series single-point lockset 36" on center from bottom of the leaf and a Schlage deadbolt located 41-5/8" on center from the bottom of the leaf. Two metal strike plates located in the astragal secured with two #8 x 2-1/2" flat head screws. Four 4" butt type hinges fastened to each leaf with four #8 x 3" screws. Each hinge was secured to the jamb with two #8 x 3" screws and two #8 x 1" flat head screws. The hinges were located at 9-1/8", 34-1/2", 59-1/2" and 84-3/4" on center from the top of the jamb. Surface bolts were attached to the top and bottom of each leaf with four #10 x 1" flat head machine screws with a 1-1/2" long blind nut. Strike plates for the surface bolts were attached to the head jamb with two #8 x 3" screws and to the threshold with two #10 x 3" sheet metal screws.

Drainage: Sloped sill

Installation: The jambs were secured to a #2 Yellow Pine test buck with two #8 x 3" screws at each hinge (16 total).

Test Specimen Description: (Continued)

Transom Description

Overall Size: 74-1/8" wide by 37-5/8" high

Panel Size: 72-3/8" wide by 36" high

Glass Size: 67-3/4" wide by 31-3/8" high

Glazing Type: Sealed insulating glass comprised of one sheet of 1/8" thick tempered glass at the exterior and one sheet of 1/8" thick tempered decorative textured glass at the interior. The sheets were separated by a 1/2" aluminum spacer system providing a 3/4" overall thickness.

Glazing Details: Interior glazed with double-sided butyl tape and a wood glazing bead fastened with 1" x 0.040" x 0.050" rectangular shank 0.050" x 0.080" head brad nails (18 gauge brad nail) 1" from each corner and on 6" spacing.

Weatherstripping: None

Frame Construction: The frame was constructed of 4-1/2" by 3/4" hardwood. The corners were secured with two #8 x 3" wood screws.

Panel Construction: The panel was constructed of 1-3/4" thick laminated hardwood and utilized a glued cove and bead joint. Two #8 x 3" screws were located at each stile to rail joint. The panel was secured to the transom frame with seven #8 x 3" screws 3" from each corner and on 18" spacing around the arch and three #8 x 3" screws 3" from each corner and in the center across the sill and with 1/2" quarter round trim fastened by 1-1/4" x 0.040" x 0.050" rectangular shank 0.050" x 0.080" head brad nails (18 gauge brad nail) 1" from each corner and on 6" spacing. The transom was attached to the head jamb of the door with six #8 x 1-1/2" screws one 3" from each corner of the head/sill and on 13" spacing across the head/sill.

Installation: The jambs were secured to a #2 Yellow Pine test buck with seven #8 x 3" wood screws one 3" from each corner and on 16" spacing around the arch.

Overall Area: 80.78 ft²

Test Results: The results are tabulated as follows:

Uniform Load Deflection per ASTM E 330 (Deflections were taken on the astragal)	<u>Indicator Number</u>			Net
	1	2	3	
36.2 psf (positive) (load held for 30 seconds)	0.02"	0.05"	<0.01"	0.04"
45.7 psf (negative) (load held for 27 seconds)	0.67"	1.08"	0.25"	0.62"

Uniform Load Deflection per ASTM E 330 (Deflections were taken on the transom sill)	<u>Indicator Number</u>			Net
	4	5	6	
36.2 psf (positive) (load held for 30 seconds)	0.20"	0.30"	0.22"	0.09"
45.7 psf (negative) (load held for 27 seconds)	0.34"	0.41"	0.37"	0.06"

Uniform Load Structural per ASTM E 330 (Permanent sets were taken on the astragal)	<u>Indicator Number</u>			Net
	1	2	3	
54.3 psf (positive) (load held for 10 seconds)	<0.01"	<0.01"	<0.01"	<0.01"
68.6 psf (negative) (load held for 10 seconds)	0.13"	0.02"	0.09"	0.09"

Uniform Load Structural per ASTM E 330 (Permanent sets were taken on the transom sill)	<u>Indicator Number</u>			Net
	4	5	6	
54.3 psf (positive) (load held for 10 seconds)	0.02"	0.02"	0.02"	<0.01"
68.6 psf (negative) (load held for 10 seconds)	0.05"	0.03"	0.08"	0.04"

Note: See Architectural Testing Sketch #1 for indicator locations.

**Detailed drawings, data sheets, representative samples of test specimens, a copy of this report, or other pertinent project documentation will be retained by Architectural Testing, Inc. for a period of four years from the original test date. At the end of this retention period, such materials shall be discarded without notice and the service life of this report will expire.

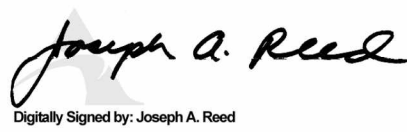
Results obtained are tested values and were secured by using the designated test methods. If test specimen contains glazing, no conclusions of any kind regarding the adequacy or inadequacy of the glass in the test specimen can be made. This report does not constitute certification of this product nor an opinion or endorsement by this laboratory. It is the exclusive property of the client so named herein and relates only to the specimen(s) tested. This report may not be reproduced, except in full, without the written approval of Architectural Testing, Inc.

For ARCHITECTURAL TESTING, INC.



Digitally Signed by: Andy Cost

Andy Cost
Laboratory Manager



Digitally Signed by: Joseph A. Reed

Joseph A. Reed, P.E.
Director - Engineering and Product Testing

JSL:ajl/cmd

Attachments (pages): This report is complete only when all attachments listed are included.

- Appendix-A: Sketch (1)
- Appendix-B: Drawings (5)

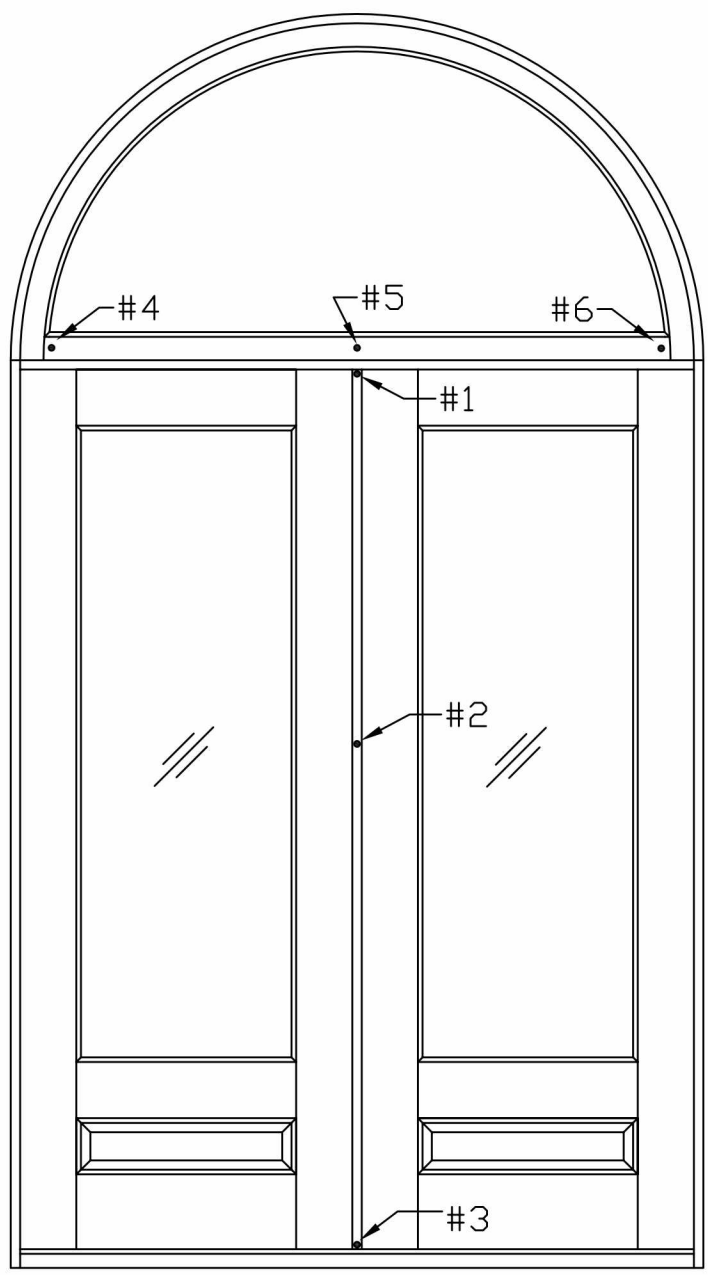
Revision Log

<u>Rev. #</u>	<u>Date</u>	<u>Page(s)</u>	<u>Revision(s)</u>
0	08/08/06	N/A	Original report issue
1	07/27/10	1, 5	Replaced Expiration Date wording with Record Retention End Date. Replaced cosigner James Sturdevant with Andy Cost.

Appendix A

Sketch

REV	DATE	DESCRIPTION	BY



PROJECT NO.
64138.01
801-44

PROJECT NAME: 6' X 8' DOUBLE INSWING DOOR
CLIENT: GLASS CRAFT



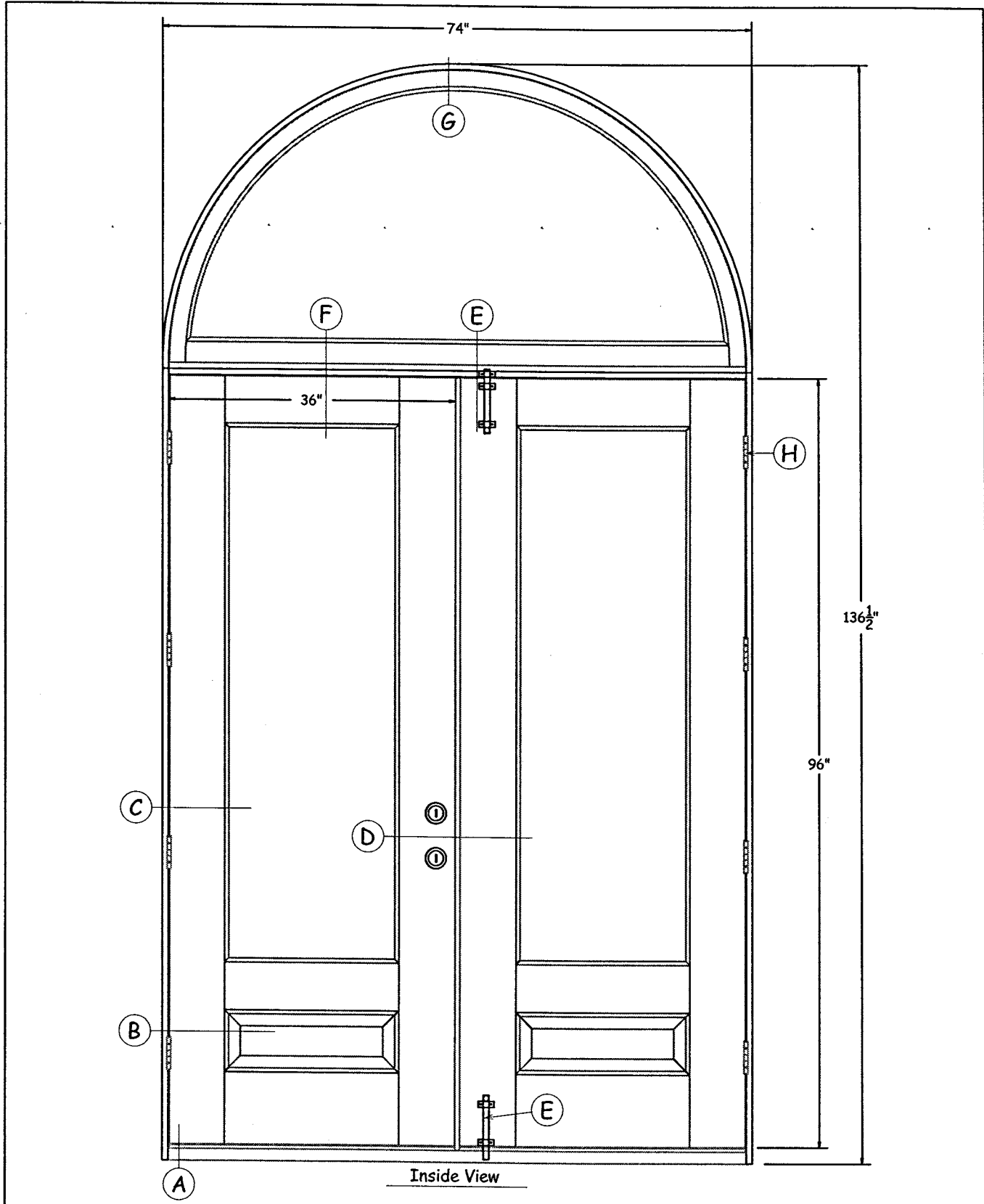
DRAWING SKETCH #1


DWG. BY:
BWM
DATE:
08/07/06

SHEET 1 OF 1

Appendix B

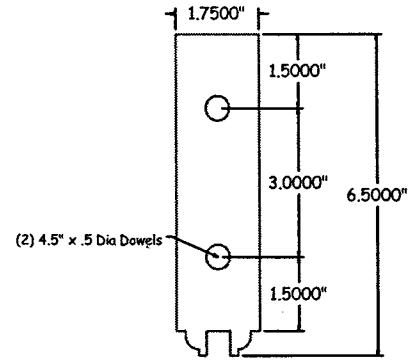
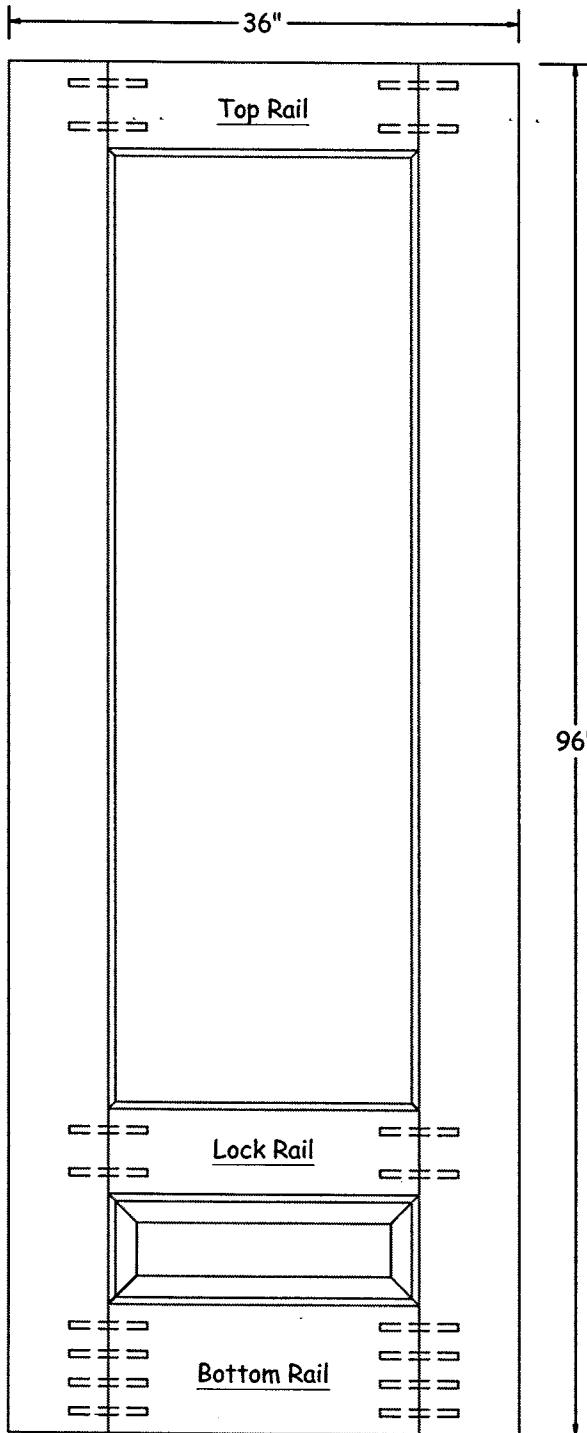
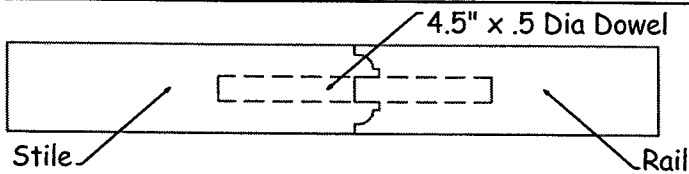
Drawings



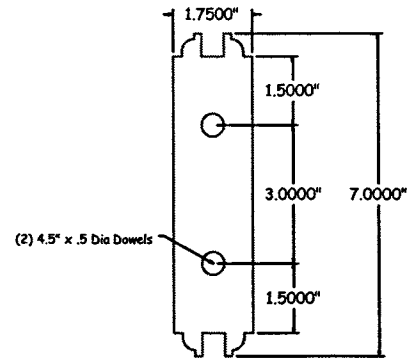
 **Architectural Testing**
 Test sample complies with these details.
 Deviations are noted.

Glass*Craft
 Door Company
 Houston Texas 77043 (713)-690-8282

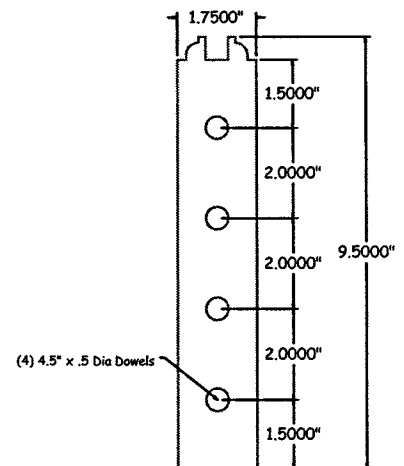
Report# 64137, 64138
 Date 7/31/06 Tech JS



Top Rail



Lock Rail



Bottom Rail

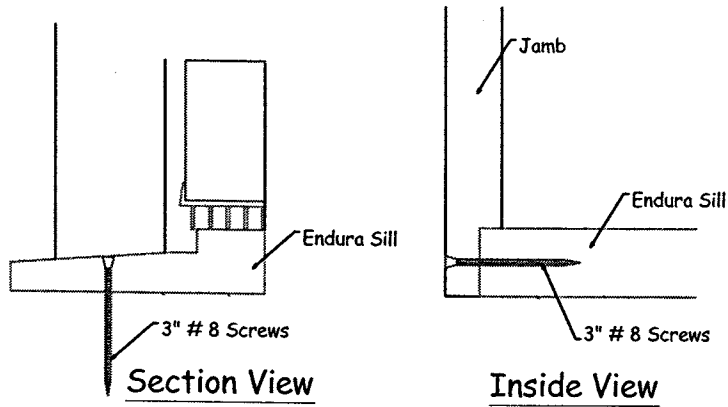


Architectural Testing

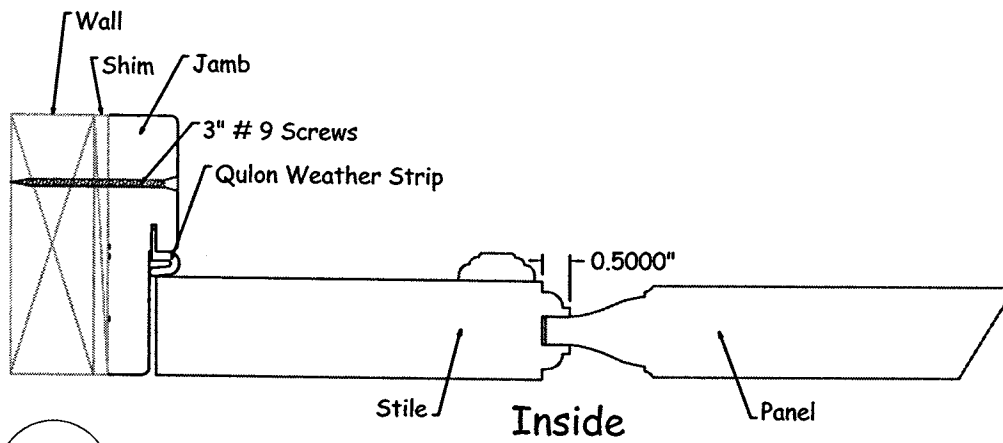
Test sample complies with these details.
Deviations are noted.

Report# 64137, 64138, 64141, 64142
Date 7/31/06 Tech JS

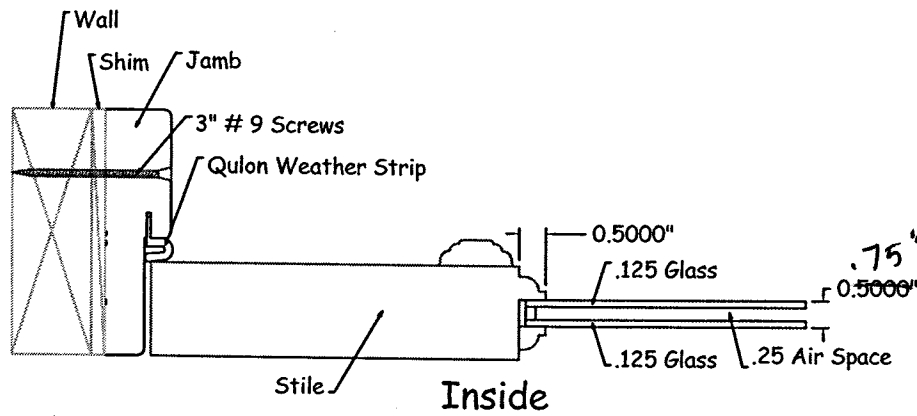
Glass*Craft
Door Company
Houston Texas 77043 (713)-690-8282



A Threshold



B Panel



C Glass

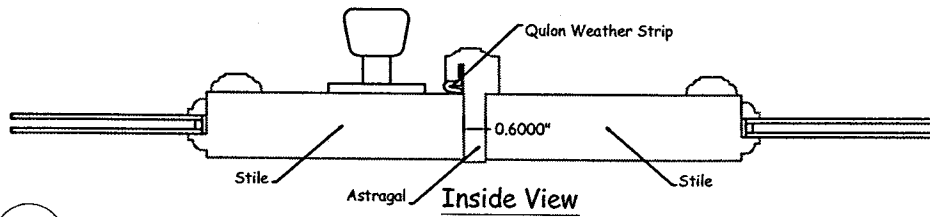


Architectural Testing

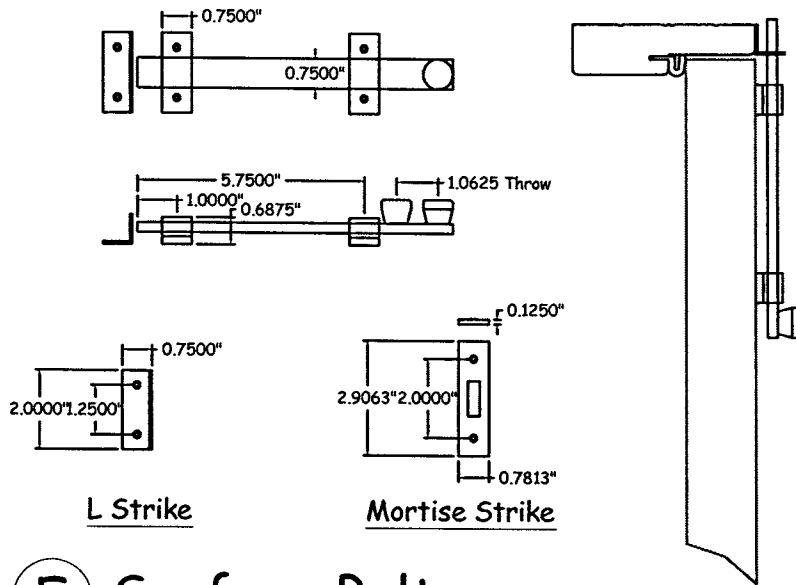
Test sample complies with these details.
Deviations are noted.

Glass*Craft
Door Company
Houston Texas 77043 (713)-690-8282

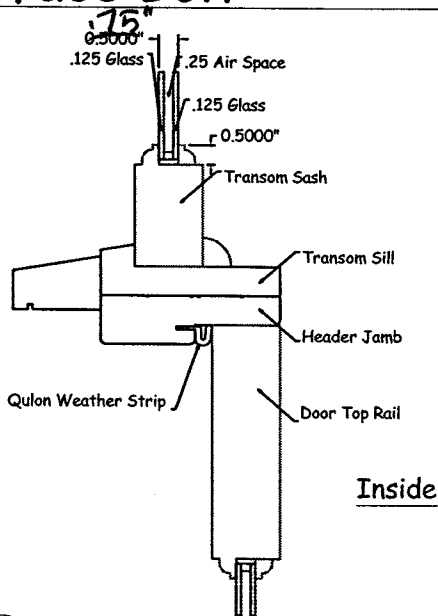
Report # 64137, 64138, 64141, 64142
Date 2/31/06 Tech JS



D Astragal



E Surface Bolt



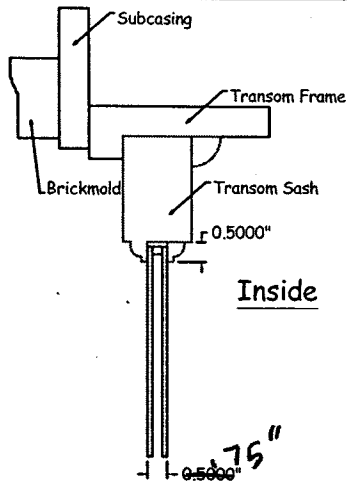
F Header-Sill

Architectural Testing

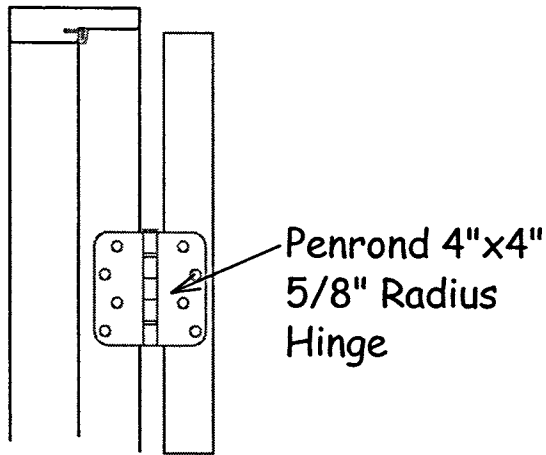
Test sample complies with these details.
Deviations are noted.

Report# 64137, 64138, 64141, 64142
Date 7/31/06 Tech JS

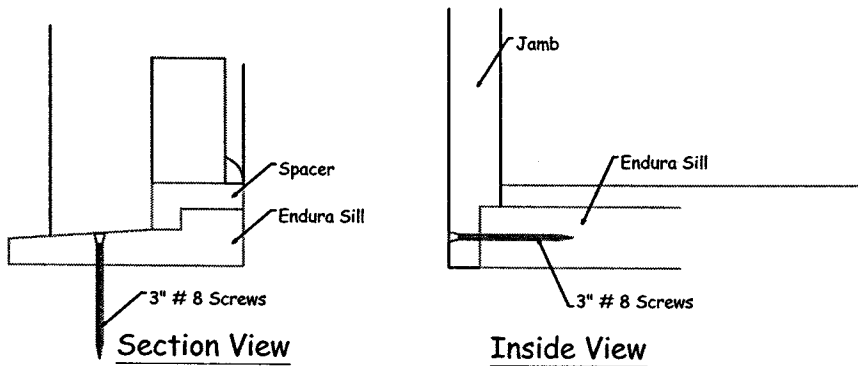
Glass*Craft
Door Company
Houston Texas 77043 (713)-690-8282



G Transom Head



H Door Hinge



I Threshold @ Sidelite



Architectural Testing

Test sample complies with these details.
Deviations are noted.

Report# 64141, 64142, 64137, 64138

Date 7/31/06 Tech JS

Glass*Craft
Door Company

Houston Texas 77043 (713)-690-8282