

Evaluation Report
“Deep Deck”
Metal Roof Assembly

Manufacturer:
Berridge Manufacturing Company
1720 Maury Road
Houston, TX 77026
(800) 231-8127

for

Florida Product Approval
FL 18522.1 R3

Florida Building Code 8th Edition (2023)

Method: 1 - D
Category: Structural Components
Sub - Category: Roof Deck

Product: “Deep Deck” Roof Panel
Material: Aluminum
Panel Width: 36”
Support: Steel Supports

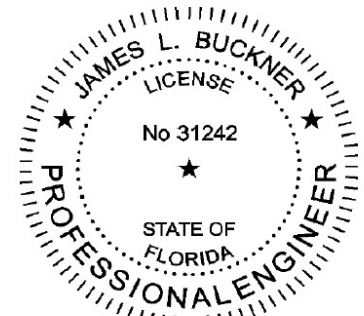
This item has been digitally signed and sealed by James L. Buckner, P.E., on this date below. Printed copies of this document are not considered signed and sealed, and the signature must be verified on any electronic copies.

Prepared by:

James L. Buckner, P.E., S.E.C.B.
Florida Professional Engineer # 31242
Florida Evaluation ANE ID: 1916
Project Manager: Diana Galloway
Report No. 23-542-DD-A3P-ER
(Revises Report No. 20-227-DD-A3P-ER, FL18522.1 R2)
Date: 09/26/2023

Contents:

Evaluation Report Pages 1 – 7



James L. Buckner, P.E.
FL31242

Date: 2023.09.26 15:25:27
'-04'00

| | |
|---------------------------------------|---|
| Manufacturer: | Berridge Manufacturing Company 1720 Maury Road Houston, TX 77026 (800) 231-8127 www.berridge.com |
| Product Name: | “Deep Deck” |
| Product Category: | Structural Components |
| Product Sub-Category | Roof Deck |
| Compliance Method: | State Product Approval Rule 61G20-3.005 (1) (d) |
| Product/System Description: | “Deep Deck” Roof Panel Aluminum lapped roof panel fastened into Steel Supports. |
| Product Assembly as Evaluated: | Refer to Page 4 of this report for product assembly components/materials & standards: <ol style="list-style-type: none">1. Roof Panel2. Panel Clip3. Fasteners |
| Support: | Type: Steel Supports (Design of steel support and its attachment to support framing is outside the scope of this evaluation.) Description: <ul style="list-style-type: none">• 16 Gauge minimum• Yield Strength: 50 ksi minimum |
| Slope: | Minimum slope shall be in compliance with FBC Chapter 15 based on the type of roof covering, applicable code sections and in accordance with manufacturer’s recommendations. |
| Performance: | Wind Uplift Resistance: <ul style="list-style-type: none">• Design Uplift Pressure: Refer to Table “A” (Refer to “Table A” attachment details herein) |

- Performance Standards:** The product described herein has demonstrated compliance with:
- UL580-06 – *Test for Uplift Resistance of Roof Assemblies*
 - UL 1897-15 – *Uplift test for roof covering systems*
 - TAS 125-03 – *Standard Requirements for Metal Roofing Systems*
- Standards Equivalency:** The UL 580-94, UL 1897-98, UL 1897-04 standard version used to test the product meets the prescribed standards in UL 580-06 & UL 1897-15 standard version adopted by the Florida Building Code 8th Edition (2023) for use as evaluated in this report.
- Code Compliance:** The product(s) described herein have demonstrated compliance with the performance standards listed above as referenced in the Florida Building Code 8th Edition (2023).
- Evaluation Report Scope:** This product evaluation is limited to compliance with the structural requirements of the Florida Building Code, as related to the scope section to Florida Product Approval Rule 61G20-3.001.
- Limitations and Conditions of Use:**
- Diaphragm and axial load capacity is outside the scope of this evaluation.
 - Scope of “Limitations and Conditions of Use” for this evaluation:
This evaluation report for “Optional Statewide Approval” contains technical documentation, specifications and installation method(s) which include “Limitations and Conditions of Use” throughout the report in accordance with Rule 61G20-3.005. Per Rule 61G20-3.004, the Florida Building Commission is the authority to approve products under “Optional Statewide Approval”.
 - Option for application outside “Limitations and Conditions of Use”
Rule 61G20-3.005(1)(e) allows engineering analysis for “project specific approval by the local authorities having jurisdiction in accordance with the alternate methods and materials authorized in the Code”. Any modification of the product as evaluated in this report and approved by the Florida Building Commission is outside the scope of this evaluation and will be the responsibility of others.
 - This report is a building code product evaluation per FLPE rule (FAC) 61G15-36 to comply with Florida product approval rule (FAC) 61G20-3. This evaluation report is part of the Florida Building Commission approval for the listed code related criteria. This report by James Buckner, P.E. and CBUG Engineering is not a design certification of code compliance construction submittal documentation, per FBC section 107, for any individual structure, site specific or permit design.
 - All metal components and fasteners shall be corrosion resistant in accordance with applicable sections of FBC.
 - Design of support system is outside the scope of this report. Support shall be designed by others and shall comply with the FBC Chapters 22 for steel and Chapter 16 for structural loading.
 - Fire Classification is outside the scope of Rule 61G20-3, and is therefore not included in this evaluation.
 - This evaluation report does not evaluate the use of this product for use in the High Velocity Hurricane Zone code section. (Dade & Broward Counties).

Quality Assurance: The manufacturer has demonstrated compliance of roof panel products in accordance with the Florida Building Code and Rule 61G20-3.0005 (3) for manufacturing under a quality assurance program audited by an approved quality assurance entity through **UL, LLC (FBC Organization #: QUA 9625)**.

Components/Materials (by Manufacturer):

| | |
|-----------------------|---|
| Roof Panel: | Berridge "Deep Deck" |
| Material: | Aluminum |
| Thickness: | 0.032" (min.) |
| Panel Width: | 36" (max.) Coverage |
| Rib Height: | 1-1/2" |
| Alloy Type: | 3105 H 14 |
| Corrosion Resistance: | In compliance with FBC Section 1507.4.3 |

Fastener:

| | |
|-----------------------|-------------------------------------|
| <u>FASTENER 1:</u> | Panel to Deck Fastener |
| Type: | Hex-Head Screw with WSW |
| Size : | #12 - 14 x 1" |
| Corrosion Resistance: | Per FBC Section 1506.6 and 1507.4.4 |
| Standard: | Per FBC Section 1506.6 |

| | |
|-----------------------|-------------------------------------|
| <u>FASTENER 2:</u> | Panel to Panel, Stitch Fastener |
| Type: | Hex-Head Screw with WSW |
| Size : | 1/4" -14 x 7/8" |
| Corrosion Resistance: | Per FBC Section 1506.6 and 1507.4.4 |
| Standard: | Per FBC Section 1506.6 |

Installation:

Installation Method:

(Refer to "TABLE A" below and drawings at the end of this report.)

- Purlin Spacing: **Refer to "TABLE A" Below**
- Fastener spacing: **7.2" o.c.**
(every corrugation valley)
- # fasteners (at each purlin intersection): **Refer to "TABLE A"**
- **Sidelap spacing: 18" o.c.** (along the length of the side laps)
- Minimum fastener penetration thru bottom of support, 3/4".
(through flange of steel supports)

| TABLE "A" | |
|--|------------------|
| ALLOWABLE LOADS | |
| "Deep Deck" Aluminum Roof Panel attached to Steel Supports | |
| Design Pressure: | - 120 PSF |
| Purlin Spacing: | 48" (4' - 0") |
| Fastener Spacing: | 7.2" |
| # of Fasteners: | 2 |
| Side-lap Spacing: | 18" |
| Span Condition: | 3 or more |
| Notes: | |
| <ul style="list-style-type: none"> • Allowable design pressure(s) for allowable stress design (ASD). • Fastener Attachment to Steel Supports May Be Designed By A Qualified Design Professional As Required By The Florida Building Code For Site Specific Projects. • Diaphragm and axial load capacity are not included in this evaluation. | |

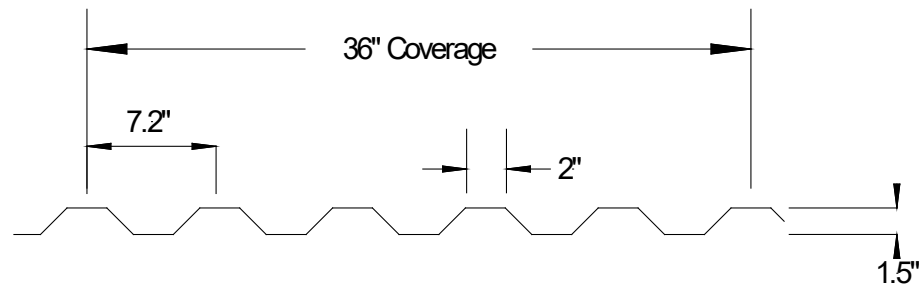
Install the "Deep Deck" roof panel assembly in compliance with the installation method listed in this report and applicable code sections of FBC 8th Edition (2023). The installation method described herein is in accordance with the scope of this evaluation report. Refer to manufacturer's installation instructions as a supplemental guide for attachment.

Referenced Data:

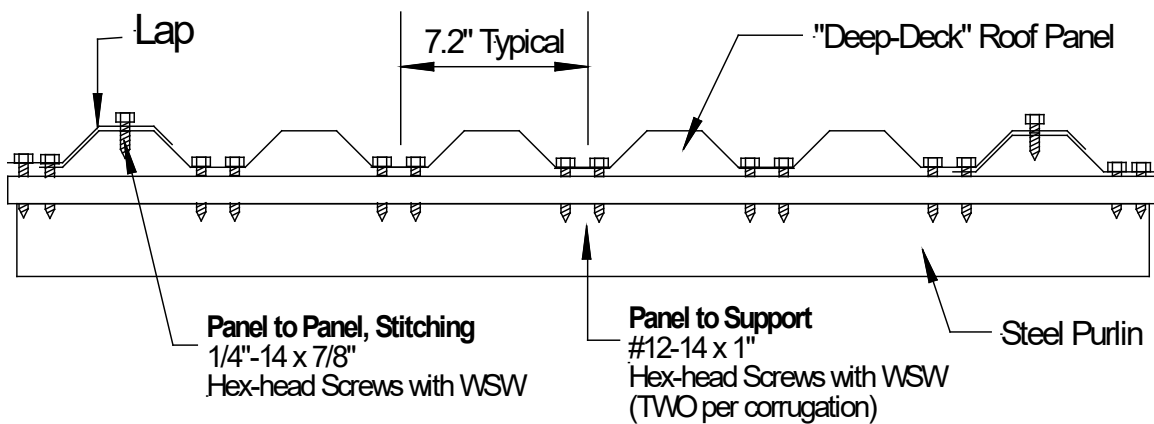
1. TAS 125-03 Uplift Test
Force Engineering & Testing Inc. (FBC Organization ID# TST 5328)
Report # 49-0195T-14A, Dated 11/14/14
2. Quality Assurance
UL, LLC (FBC Organization #: QUA 9625)
3. Equivalency of Test Standard Certification
By James L. Buckner, P.E. @ CBUCK Engineering
(FBC Organization # ANE 1916)
4. Certification of Independence
By James L. Buckner, P.E. @ CBUCK Engineering

**Installation Method
Berridge Manufacturing Company
"Deep Deck" Aluminum Roof Panel attached to Steel Supports**

Drawings

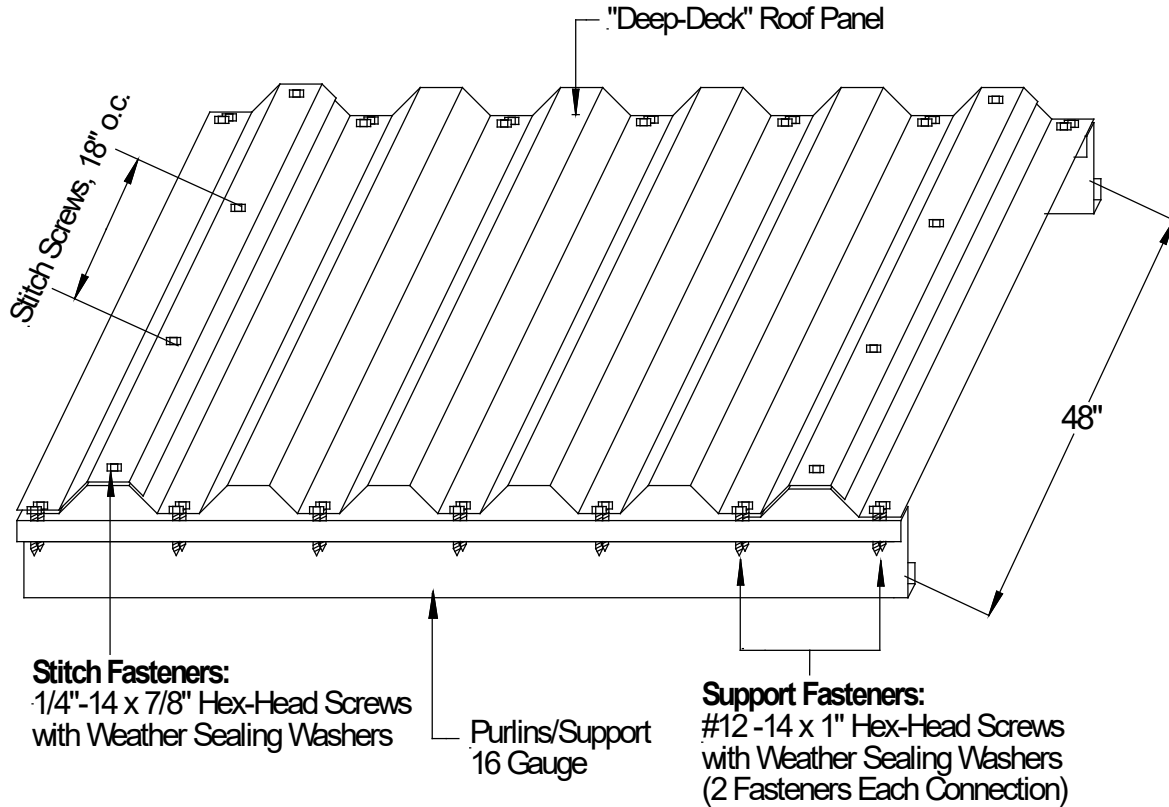


Typical Panel Profile



**Assembly Profile View
Typical Fastening Pattern Across Row**

Installation Method Berridge Manufacturing Company "Deep Deck" Aluminum Roof Panel attached to Steel Supports



**Typical Roof Assembly
 Isometric View**

| TABLE "A" | |
|--|------------------|
| ALLOWABLE LOADS | |
| "Deep Deck" Aluminum Roof Panel attached to Steel Supports | |
| Design Pressure: | - 120 PSF |
| Purlin Spacing: | 48" (4'- 0") |
| Fastener Spacing: | 7.2" |
| # of Fasteners: | 2 |
| Side-lap Spacing: | 18" |
| Span Condition: | 3 or more |