

# SNR SOLAR LLC. DBA SNAPNRACK MIAMI-DADE TEST REPORT

**SCOPE OF WORK**

TAS 100(A)-23 TESTING ON DELTATRACK (SPECIMEN F AND G)

**REPORT NUMBER**

S1174.01-109-18 R1

**TEST DATE**

12/17/24

**ISSUE DATE**

01/21/25

**REVISION DATE**

02/05/25

**MIAMI-DADE COUNTY NOTIFICATION NO.**

ATI 24087

**LABORATORY CERTIFICATION NO.**

22-0428.14

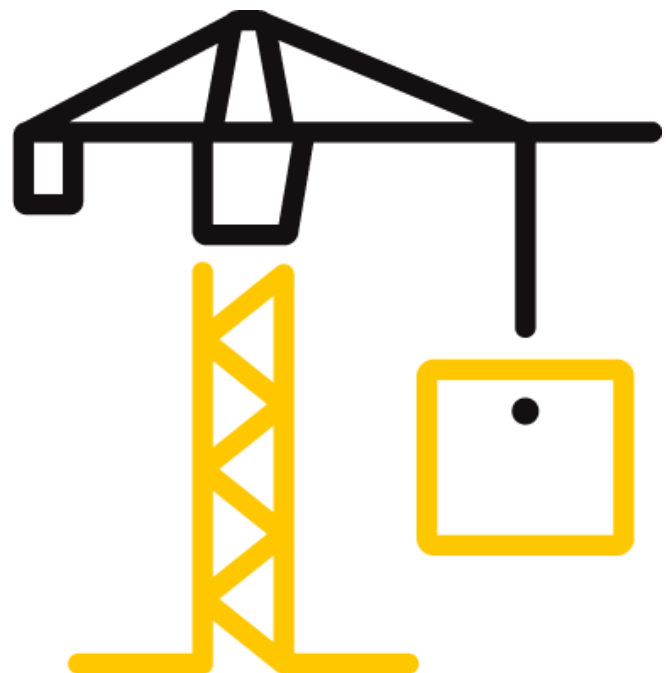
**PAGES**

18

**DOCUMENT CONTROL NUMBER**

RT-R-AMER-Test-7808 (06/05/24)

© 2019 INTERTEK



## TEST REPORT FOR SNR SOLAR LLC. DBA SNAPNRACK

Report No.: S1174.01-109-18 R1

Date: 01/21/25

Revision 1: 02/05/25

### REPORT ISSUED TO

#### SNR SOLAR LLC. DBA SNAPNRACK

775 Fiero Lane, Suite 200

San Luis Obispo, California 93401

### SECTION 1

#### SCOPE

Architectural Testing, Inc. (an Intertek company) dba Intertek Building & Construction (B&C) was contracted by SNR Solar LLC. dba SnapNrack to perform TAS 100(A) testing in accordance with Miami-Dade County requirements on DeltaTrack in rafter and deck mounted configurations (Specimen F and G). Results obtained are tested values and were secured by using the designated test method(s). Testing was conducted at the Intertek B&C test facility in York, Pennsylvania.

For INTERTEK B&C:

<b>COMPLETED BY:</b>	Christopher E. Sartalis	<b>REVIEWED BY:</b>	Tanya A. Dolby, P.E.
<b>TITLE:</b>	Technician – Product Testing	<b>TITLE:</b>	Engineering Manager – Engineering Services
<b>SIGNATURE:</b>		<b>SIGNATURE:</b>	
<b>DATE:</b>	02/05/25	<b>DATE:</b>	02/05/25

CES:mas

This report is for the exclusive use of Intertek's Client and is provided pursuant to the agreement between Intertek and its Client. Intertek's responsibility and liability are limited to the terms and conditions of the agreement. Intertek assumes no liability to any party, other than to the Client in accordance with the agreement, for any loss, expense or damage occasioned by the use of this report. Only the Client is authorized to permit copying or distribution of this report and then only in its entirety. Any use of the Intertek name or one of its marks for the sale or advertisement of the tested material, product or service must first be approved in writing by Intertek. The observations and test results in this report are relevant only to the sample(s) tested. This report by itself does not imply that the material, product, or service is or has ever been under an Intertek certification program.

## TEST REPORT FOR SNR SOLAR LLC. DBA SNAPNRACK

Report No.: S1174.01-109-18 R1

Date: 01/21/25

Revision 1: 02/05/25

### SECTION 2

#### TEST METHOD

The specimen was evaluated in accordance with the following:

**TAS 100 (A)-23**, *Test Procedure for Wind and Wind Driven Rain Resistance and/or Increased Windspeed Resistance of Soffit Ventilation Strip and Continuous or Intermittent Ventilation System Installed at the Ridge Area.*

### SECTION 3

#### MATERIAL SOURCE

Test sample materials were provided by the client from SNR Solar LLC. dba SnapNrack located at San Luis Obispo, California. Representative samples of the test specimen(s) will be retained by Intertek B&C for a minimum of ten years from the test completion date.

### SECTION 4

#### EQUIPMENT/CALIBRATION

Wind Generator - Vane Axial Fan Y00346

Scale – 65571

Stopwatch – INT00975

Weather Station – 63316

Windstream, water supply, and water distribution calibration were performed prior to testing. Reference Intertek B&C Calibration Report No. R5185.05-109-18, dated 11/04/24, for descriptions and results.

### SECTION 5

#### LIST OF OFFICIAL OBSERVERS

NAME	COMPANY
Tyler J. Holland	Intertek B&C
Timothy J. McGill	Intertek B&C
Tanya A. Dolby, P.E.	Intertek B&C
Christopher E. Sartalis	Intertek B&C

## TEST REPORT FOR SNR SOLAR LLC. DBA SNAPNRACK

Report No.: S1174.01-109-18 R1

Date: 01/21/25

Revision 1: 02/05/25

### SECTION 6

#### TEST SPECIMEN DESCRIPTION

**Manufacturer:** SNR Solar LLC. dba SnapNrack

**Series/Model:** DeltaTrack

**Product Type:** Deck and Rafter Mount, (Specimen F & G)

**Roof Deck Description:** An 8'0" wide by 6'0" long roof deck on a 2:12 slope was utilized. The roof deck consisted of #2 Spruce-Pine Fir normal 2x6 intermediate supports sheathed with APA 32/16 span rated 15/32" plywood sheathing. The intermediate supports were spaced 24" on center. The plywood was secured to the rafters with 8d common nails spaced 6" on center around the perimeter and 12" on center at the intermediate supports. The plywood sheathing was covered with 30# felt underlayment and three-tab shingles.

**DeltaTrack Installation/Description:** The mounts were constructed of 2-7/16" wide by 5-3/4" long by 1-1/4" high, 3/16" thick extruded aluminum. Approximately 18" down from the ridge, four 3/16" pilot holes, two for each mount, were drilled down through the shingles and sheathing and into the rafter. The butyl pads on the bottom of the mounts were adhered to the shingle over the pilot holes. A total of four specimens were installed on the test deck. Two of the specimens were fastened using two #14 x 3" wood screws with EPDM backed washers, through the first and third holes of the mount, through the sheathing, and into the rafter. Two specimens were fastened using four #14 x 2-1/4" wood screws with EPDM backed washers, through the mount, and into the sheathing.

## TEST REPORT FOR SNR SOLAR LLC. DBA SNAPNRACK

Report No.: S1174.01-109-18 R1

Date: 01/21/25

Revision 1: 02/05/25

### SECTION 7

#### TEST RESULTS

**Protocol TAS 100(A)-23, Test Procedure for Wind and Wind Driven Rain Resistance and/or Increased Windspeed Resistance of Soffit Ventilation Strip and Continuous or Intermittent Ventilation System Installed at the Ridge Area.**

**Test Date(s):** 12/17/24

The temperature during testing was 12°C (54°F). The results are tabulated as follows:

**Test Procedure:** The wind speed intervals were conducted as follows:

Interval No.	Wind Speed (mph)	Time (min)	Water Spray
1	35	15	On
2	0	5	Off
3	70	15	On
4	0	5	Off
5	90	15	On
6	0	5	Off
7	110	5	On
8	0	5	Off

**Test Results:** The TAS 100(A) test results are as follows:

Wind Speed	Results
35 mph	0.0 oz.
70 mph	0.0 oz.
90 mph	0.0 oz.
110 mph	0.0 oz.

**Result(s):** Pass

**Note 1:** Tested at a 2:12 roof pitch.

## TEST REPORT FOR SNR SOLAR LLC. DBA SNAPNRACK

Report No.: S1174.01-109-18 R1

Date: 01/21/25

Revision 1: 02/05/25

### SECTION 8

#### CONCLUSION

The specimen(s) tested met the performance requirements set forth in the protocols.

This report does not constitute certification of this product nor an opinion or endorsement by this laboratory. Intertek B&C will service this report for the entire test record retention period. The test record retention period ends ten years after the test date. Test records, such as detailed drawings, datasheets, representative samples of test specimens, or other pertinent project documentation, will be retained for the entire test record retention period.

Unless differently required, Intertek reports apply the "Simple Acceptance" rule also called "Shared Risk approach," of ILAC-G8:09/2019, Guidelines on Decision Rules and Statements of Conformity.

## TEST REPORT FOR SNR SOLAR LLC. DBA SNAPRACK

Report No.: S1174.01-109-18 R1

Date: 01/21/25

Revision 1: 02/05/25

### SECTION 9 PHOTOGRAPHS



**Photo No. 1**  
**Top Side Before Testing**



**Photo No. 2**  
**Underside Before Testing**

## TEST REPORT FOR SNR SOLAR LLC. DBA SNAPRACK

Report No.: S1174.01-109-18 R1

Date: 01/21/25

Revision 1: 02/05/25



**Photo No. 3**  
**35 MPH Top Side**



**Photo No. 4**  
**35 MPH Underside**



## TEST REPORT FOR SNR SOLAR LLC. DBA SNAPRACK

Report No.: S1174.01-109-18 R1

Date: 01/21/25

Revision 1: 02/05/25



**Photo No. 5**  
**70 MPH Top Side**



**Photo No. 6**  
**70 MPH Underside**

**TEST REPORT FOR SNR SOLAR LLC. DBA SNAPRACK**

Report No.: S1174.01-109-18 R1

Date: 01/21/25

Revision 1: 02/05/25



**Photo No. 7**  
**90 MPH Top side**



**Photo No. 8**  
**90 MPH Underside**

**TEST REPORT FOR SNR SOLAR LLC. DBA SNAPRACK**

Report No.: S1174.01-109-18 R1

Date: 01/21/25

Revision 1: 02/05/25



**Photo No. 9**  
**110 MPH Top Side**



**Photo No. 10**  
**110 MPH Underside**

**TEST REPORT FOR SNR SOLAR LLC. DBA SNAPRACK**

Report No.: S1174.01-109-18 R1

Date: 01/21/25

Revision 1: 02/05/25



**Photo No. 11**  
**Post Test Top Side**



**Photo No. 12**  
**Post Test Underside**



Total Quality. Assured.

130 Derry Court  
York, Pennsylvania 17406

Telephone: 717-764-7700  
Facsimile: 717-764-4129  
[www.intertek.com/building](http://www.intertek.com/building)

## TEST REPORT FOR SNR SOLAR LLC. DBA SNAPRACK

Report No.: S1174.01-109-18 R1

Date: 01/21/25

Revision 1: 02/05/25

### SECTION 10

#### DRAWINGS

The test specimen drawings have been reviewed by Intertek B&C and are representative of the test specimen(s) reported herein. Test specimen construction was verified by Intertek B&C per the drawings included in this report. Any deviations are documented herein or on the drawings.

**NOTES:**

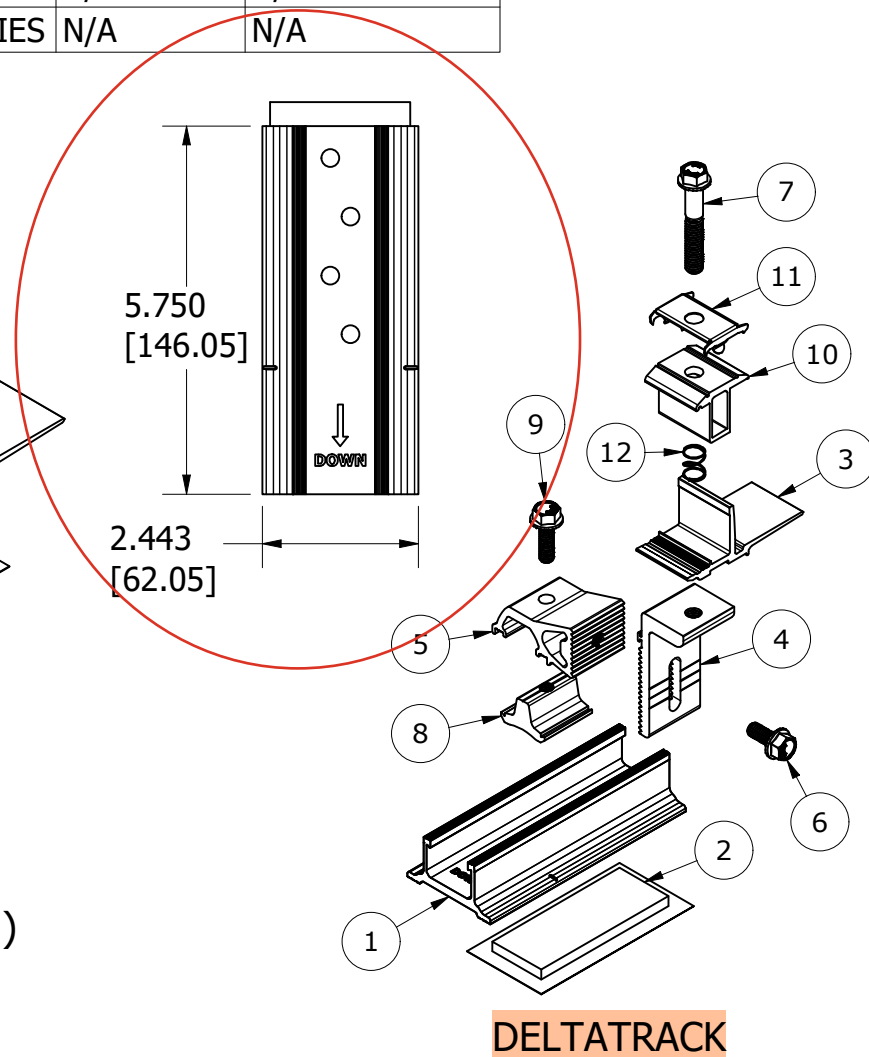
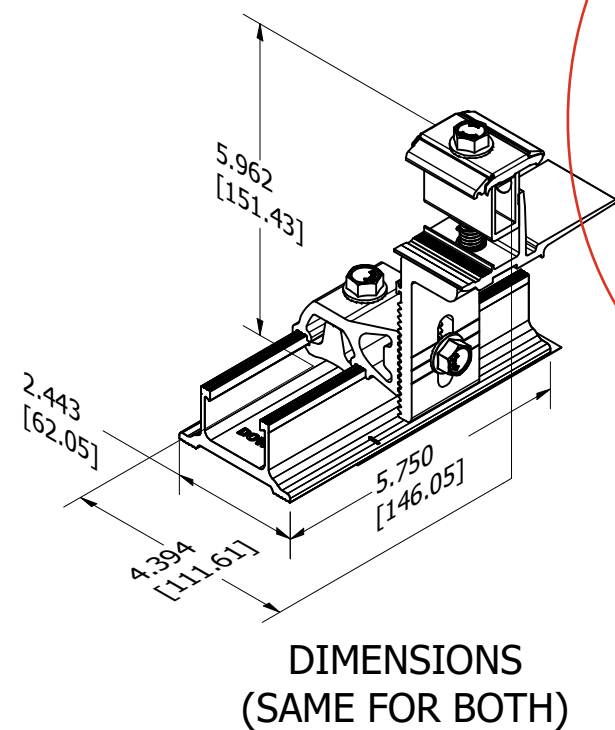
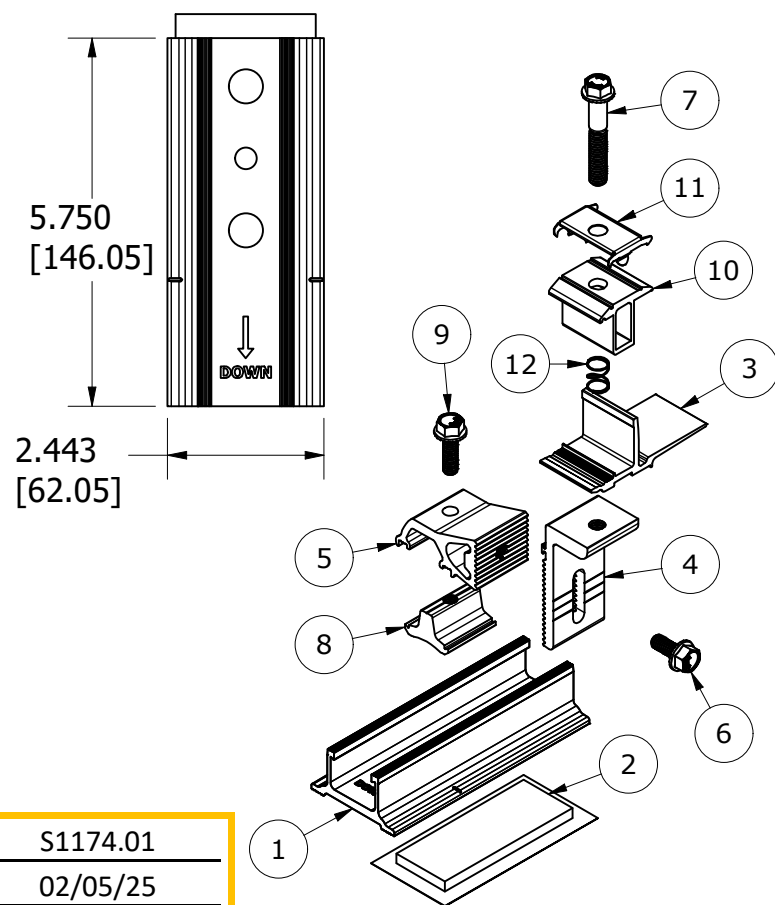
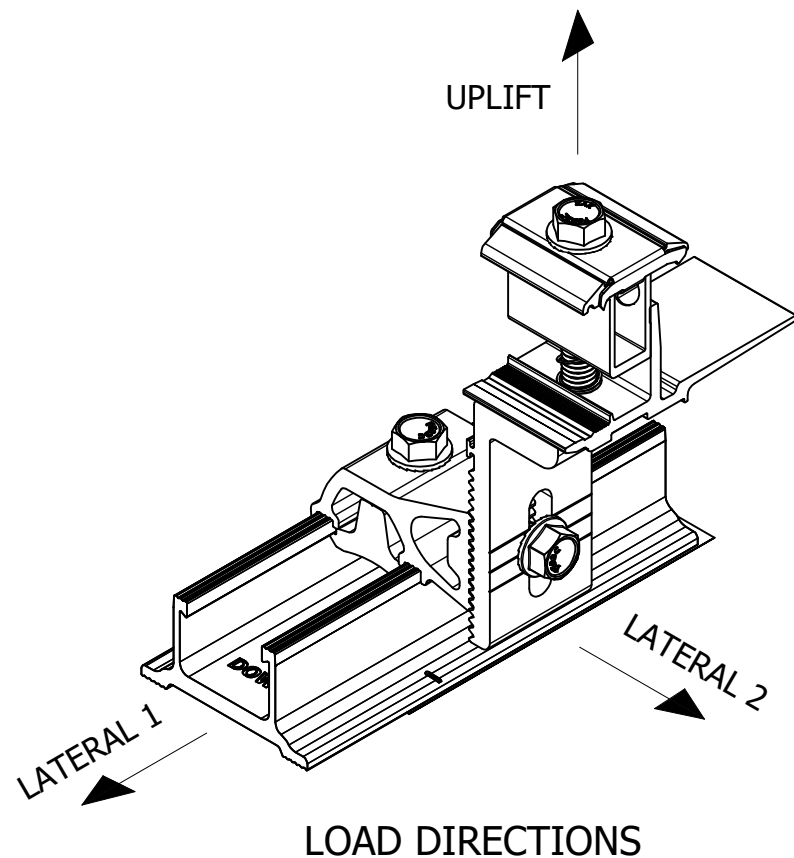
1. THIS SYSTEM COMPLIES WITH THE 8TH EDITION (2023) FLORIDA BUILDING CODE, INCLUDING HVHZ
2. THIS SYSTEM HAS BEEN TESTED TO THE TAS100(A) AND ASTM D7147 STANDARDS. IMPACT RESISTANCE IS NOT REQUIRED, AS IT IS NOT PART OF THE BUILDING ENVELOPE
3. INSTALLATIONS MUST FOLLOW THE SNAPRACK ULTRA RAIL SYSTEM INSTALLATION MANUAL
4. PV PANELS ARE NOT PART OF THIS APPROVAL
5. DESIGN OF THE ROOF SUBSTRATE AND STRUCTURE IS THE RESPONSIBILITY OF THE ENGINEER OF RECORD (EOR) AND IS NOT PART OF THIS APPROVAL
6. ALL ANCHORS FASTENING ATTACHMENTS TO THE ROOF SUBSTRATE MUST BE CORROSION RESISTANT

**BOM: ALPHATRACK, DELTATRACK, AND TOPSPEED UNIVERSAL PRODUCTS**

ITEM	DESCRIPTION	MATERIAL	MIN YIELD (KSI)	MINIMUM ULTIMATE (KSI)
1	ALPHATRACK / DELTATRACK	ALUMINUM, 6000 SERIES	34	38
2	SPEEDSEAL+ FLASHING SYSTEM	BUTYL RUBBER	N/A	N/A
3	TOPSPEED UNIVERSAL, MOUNT BOTTOM	ALUMINUM, 6000 SERIES	34	38
4	TOPSPEED UNIVERSAL, LEVELER	ALUMINUM, 6000 SERIES	34	38
5	TOPSPEED UNIVERSAL, RISER	ALUMINUM, 6000 SERIES	34	38
6	BOLT, FLANGE, 5/16IN-18 X 3/4IN	STAINLESS STEEL, 300 SERIES	60	95
7	BOLT, FLANGE, 3/8IN-16 X 2-3/4IN	STAINLESS STEEL, 300 SERIES	60	95
8	DROP IN/ROCK IN CHANNEL NUT	ALUMINUM, 6000 SERIES	34	38
9	BOLT, FLANGE, 5/16IN-18 X 1IN	STAINLESS STEEL, 300 SERIES	60	3
10	TOPSPEED UNIVERSAL, MOUNT TOP	ALUMINUM, 6000 SERIES	34	38
11	TOPSPEED UNIVERSAL, BONDING CLIP	STAINLESS STEEL, 300 SERIES	N/A	N/A
12	TOPSPEED UNIVERSAL, MOUNT SPRING	STAINLESS STEEL, 300 SERIES	N/A	N/A

**REVISION:**

REV	DATE	DESCRIPTION
A	2/3/2025	RELEASED MKW



**intertek**  
Total Quality. Assured.

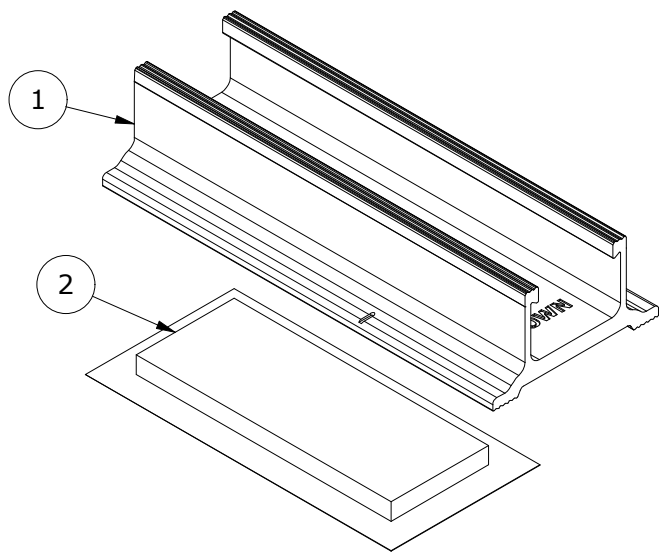
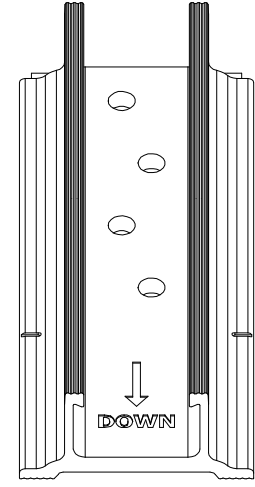
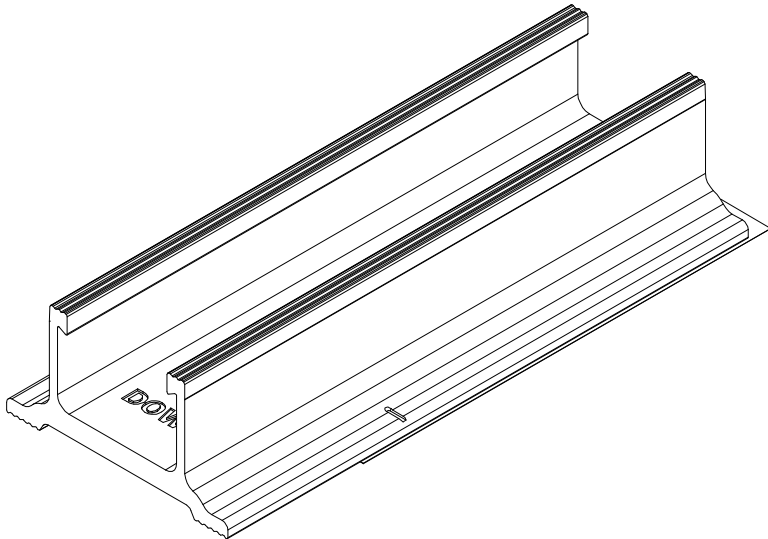
Report #: S1174.01  
Date: 02/05/25  
Verified by: *Christoph S. J. J.*

PE SIGNATURE:	PE DATE:	DESCRIPTION:	DRAWING NUMBER:	REV:
		TOPSPEED UNIVERSAL PV MOUNTING SYSTEM WITH ALPHATRACK AND DELTATRACK ROOF ATTACHMENTS	SNR-DC-00486	A
<b>SNR SOLAR LLC</b>	775 FIERO LANE, SUITE 200 SAN LUIS OBISPO, CA 93401 CONTACT@SNAPRACK.COM	UNITS: IN, LB, DEG [MM, KG, DEG]	DATE: 2/3/2025	SHEET SIZE: 11 IN X 17 IN
		SCALE: NTS	SHEET NUMBER: 1 OF 4	

DESCRIPTION: <b>SNAPNRACK, DELTATRACK</b>		DOC NUMBER: SNR-DC-01422		<h1>SnapNrack®</h1>
PART NUMBER(S):  242-10064		DRAWN BY: M.WATKINS		
UNITS: IN, LB, DEG [MM, KG, DEG]	SHEET: 1:2	REV: <b>A</b>	DATE: 9/16/2024	

SNR SOLAR LLC  
775 FIERO LANE, SUITE 200  
SAN LUIS OBISPO, CA 93401 USA  
EMAIL: CONTACT@SNAPNRACK.COM

THE INFORMATION IN THIS DRAWING IS CONFIDENTIAL AND PROPRIETARY. ANY REPRODUCTION, DISCLOSURE, OR USE THEREOF IS PROHIBITED WITHOUT THE WRITTEN CONSENT OF SNR SOLAR LLC.



PARTS LIST		
ITEM	QTY	DESCRIPTION
1	1	SNAPNRACK, DELTATRACK, MILL
2	1	SNAPNRACK, BUTYL PAD, 3.75IN X 1.50IN X .25IN

<b>intertek</b> <small>Total Quality. Assured.</small>	Report #:	S1174.01
	Date:	01/14/25
	Verified by:	<i>Charles E. Suter</i>

MATERIALS:	6000 SERIES ALUMINUM, BUTYL
DESIGN LOAD (LBS):	VARIABLE, REFER TO SNAPNRACK ENGINEERING
ULTIMATE LOAD (LBS):	VARIABLE, REFER TO SNAPNRACK ENGINEERING
TORQUE SPECIFICATION:	N/A FT-LBS
CERTIFICATION:	UL 2703, FILE E359313
WEIGHT (LBS):	0.44

DESCRIPTION:  
SNAPNRACK, DELTATRACK

DOC NUMBER:  
SNR-DC-01422

SnapNrack®

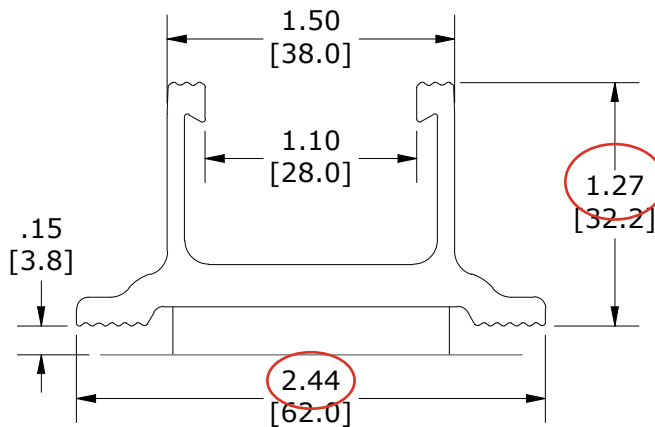
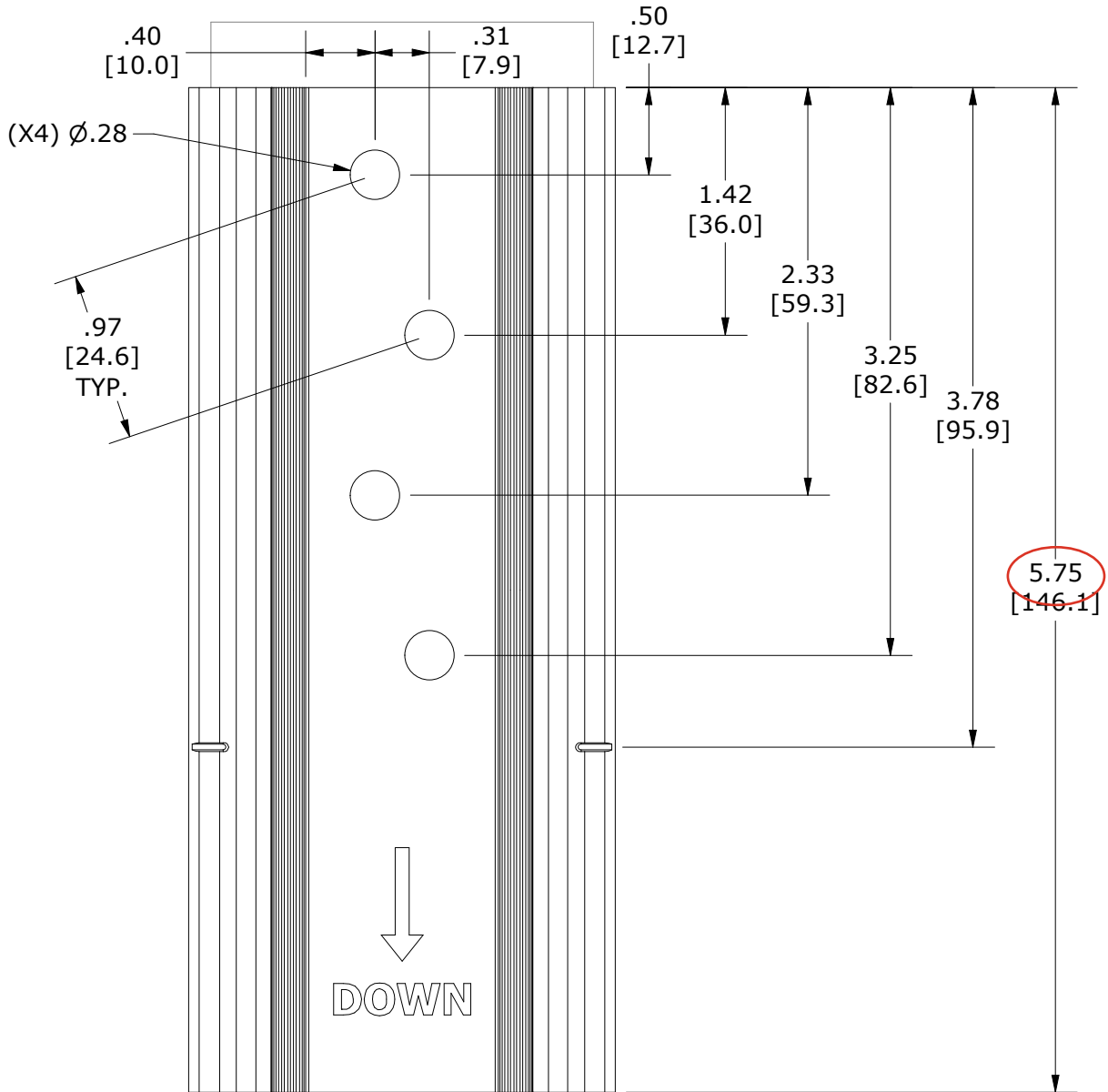
PART NUMBER(S):  
242-10064

DRAWN BY:  
M.WATKINS

SNR SOLAR LLC  
775 FIERO LANE, SUITE 200  
SAN LUIS OBISPO, CA 93401 USA  
EMAIL: CONTACT@SNAPNRACK.COM  
THE INFORMATION IN THIS DRAWING IS CONFIDENTIAL AND PROPRIETARY. ANY REPRODUCTION, DISCLOSURE, OR USE THEREOF IS PROHIBITED WITHOUT THE WRITTEN CONSENT OF SNR SOLAR LLC.

UNITS: IN, LB, DEG [MM, KG, DEG]      SHEET: 2:2

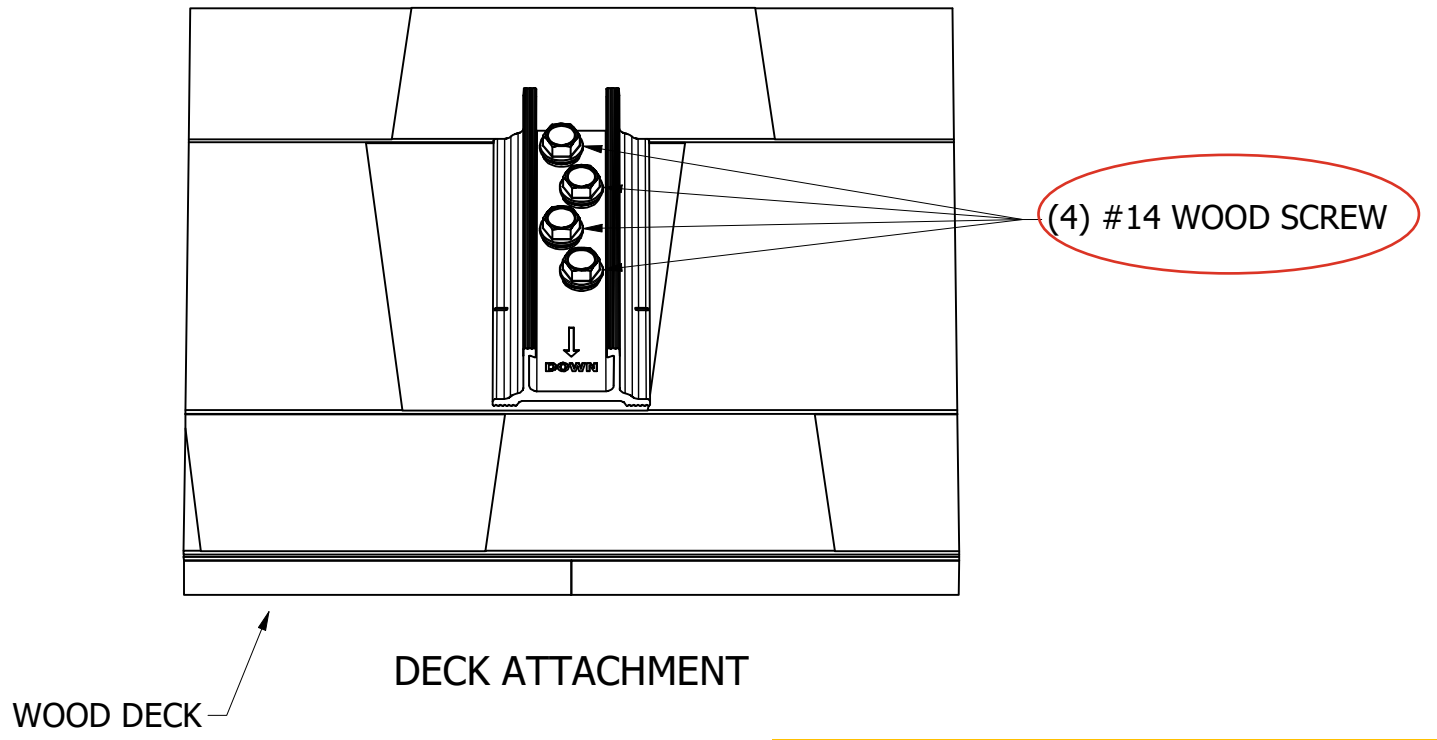
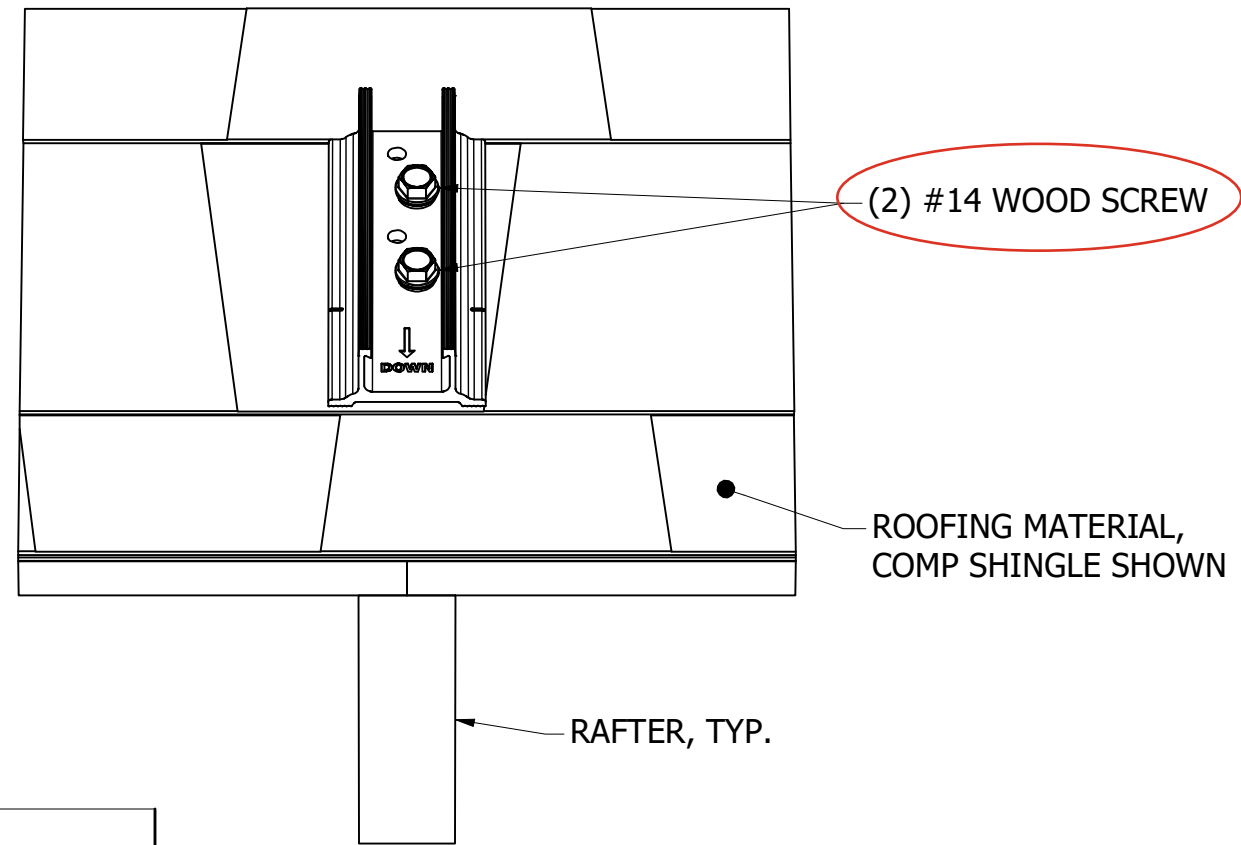
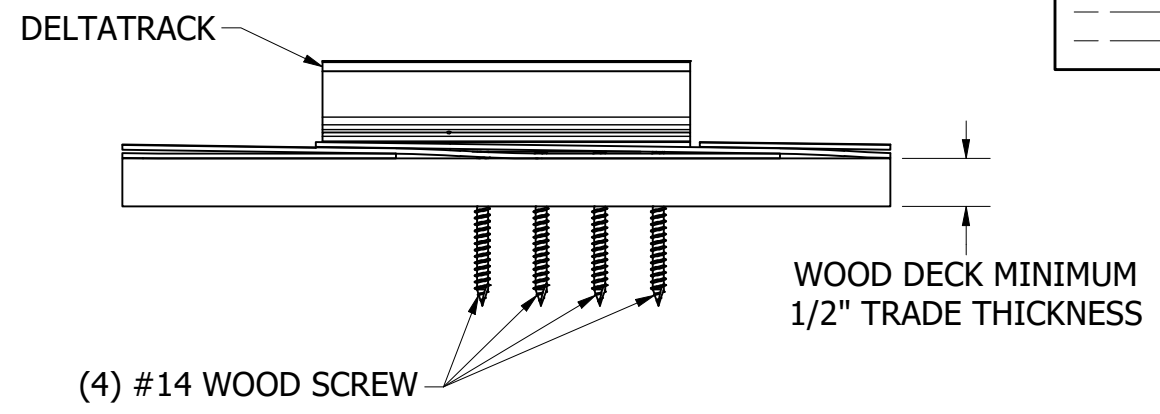
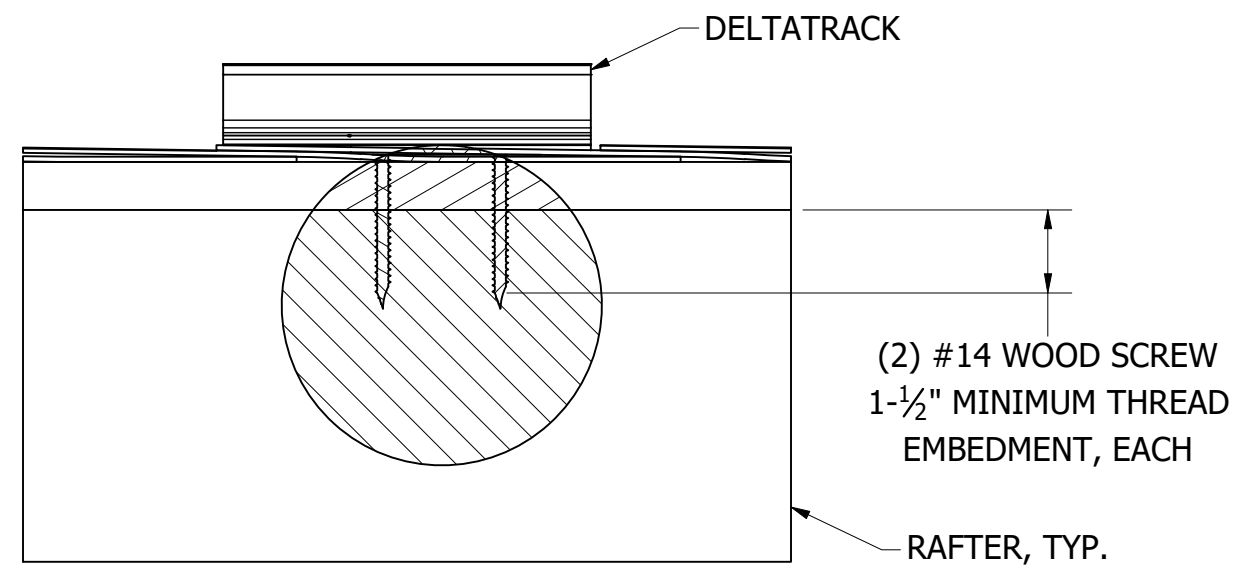
REV:      DATE:  
**A**      9/16/2024



**intertek** Total Quality. Assured. Report #: S1174.01 Date: 01/14/25 Verified by: *Charles E. Jeter*



REVISION:	A	2/3/2025	RELEASED	MKW



**intertek**  
Total Quality. Assured.

Report #: S1174.01  
Date: 02/05/25  
Verified by: *Christoph E. J...*

**RAFTER ATTACHMENT**

PE SIGNATURE:	PE DATE:	DESCRIPTION:	DRAWING NUMBER:		REV:
		TOPSPEED UNIVERSAL PV MOUNTING SYSTEM WITH ALPHATRACK AND DELTATRACK ROOF ATTACHMENTS	SNR-DC-00486		A
<b>SNR SOLAR LLC</b>	775 FIERO LANE, SUITE 200 SAN LUIS OBISPO, CA 93401 CONTACT@SNAPNRACK.COM	UNITS: IN, LB, DEG [MM, KG, DEG]	DATE: 2/3/2025	SHEET SIZE: 11 IN X 17 IN	SCALE: NTS
				SHEET NUMBER: 4 OF 4	



Total Quality. Assured.

130 Derry Court  
York, Pennsylvania 17406

Telephone: 717-764-7700  
Facsimile: 717-764-4129  
www.intertek.com/building

**TEST REPORT FOR SNR SOLAR LLC. DBA SNAPNRACK**

Report No.: S1174.01-109-18 R1

Date: 01/21/25

Revision 1: 02/05/25

**SECTION 11**

**REVISION LOG**

REVISION #	DATE	PAGES	REVISION
0	01/21/25	N/A	Original Report Issue
1	02/05/25	14-17	Revised Drawings