



**NEMO|etc.**

Certificate of Authorization #32455  
353 Christian Street, Unit #13  
Oxford, CT 06478  
(203) 262-9245

ENGINEER

EVALUATE

TEST

CONSULT

**P.E. EVALUATION REPORT (PEER)**

**CertainTeed, LLC**

20 Moores Road  
Malvern, PA 19355  
**(610) 893-5400**

PEER-CTR-001.B.R1

FL5444-R21 (HVHZ)

Date of Issuance: 04/24/2023

Revision 1: 10/04/2023

**SCOPE:**

This P.E. Evaluation Report (henceforth 'PEER') is issued under **F.A.C Rule 61G20-3** and the applicable rules and regulations governing the use of construction materials in the State of Florida. The documentation submitted has been reviewed by Robert Nieminen, P.E. for use of the product under the Florida Building Code. The product described herein has been evaluated for compliance with the **8<sup>th</sup> Edition (2023) Florida Building Code, High Velocity Hurricane Zone [sections noted herein](#).**

**DESCRIPTION: CertainTeed Asphalt Roof Shingles (HVHZ)**

**LABELING:** Labeling shall be in accordance with the requirements of the Accredited Quality Assurance Agency noted herein.

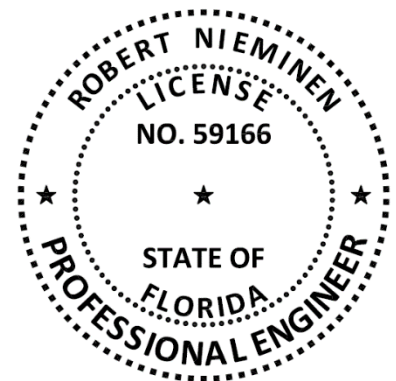
**CONTINUED COMPLIANCE:** This PEER is valid until such time as the named product(s) changes, the referenced Quality Assurance or production facility location(s) changes, or Code provisions that relate to the product(s) change. Acceptance of our PEERs by the named client constitutes agreement to notify NEMO ETC, LLC of any changes to the product(s), the Quality Assurance or the production facility location(s). NEMO ETC, LLC requires a complete review of its PEER relative to updated Code requirements with each Code Cycle.

**ADVERTISEMENT:** The Florida Product Approval Number (FL#) preceded by the words "NEMO P.E. Evaluated" may be displayed in advertising literature. If any portion of the PEER is displayed, then it shall be done in its entirety.

**INSPECTION:** Upon request, a copy of this entire PEER shall be provided to the user by the manufacturer or its distributors and shall be available for inspection at the job site at the request of the Building Official.

This PEER consists of pages 1 through 4.

**Prepared by:**



**CERTIFICATION OF INDEPENDENCE:**

1. NEMO ETC, LLC does not have, nor does it intend to acquire or will it acquire, a financial interest in any company manufacturing or distributing products it evaluates.
2. NEMO ETC, LLC is not owned, operated or controlled by any company manufacturing or distributing products it evaluates.
3. Robert Nieminen, P.E. does not have nor will acquire, a financial interest in any company manufacturing or distributing products for which the PEERs are being issued.
4. Robert Nieminen, P.E. does not have, nor will acquire, a financial interest in any other entity involved in the approval process of the product.
5. This is a building code evaluation. Neither NEMO ETC, LLC nor Robert Nieminen, P.E. are, in any way, the Designer of Record for any project on which this PEER, or previous versions thereof, is/was used for permitting or design guidance unless retained specifically for that purpose.

**ROOFING SYSTEMS EVALUATION:**

**1. SCOPE:**

**Product Category:** Roofing  
**Sub-Category:** Asphalt Shingles  
**Product Approval Method:** Method 1, Option D – Codified Material, Evaluation by Engineer  
**Compliance Statement:** CertainTeed Asphalt Roof Shingles, as produced by CertainTeed, LLC, have demonstrated compliance with the following sections of the 8<sup>th</sup> Edition (2023) Florida Building Code, High Velocity Hurricane Zone (HVHZ) through testing in accordance with the following Standards. Compliance is subject to the [Installation Requirements](#) and [Limitations of Use](#) set forth herein.

**2. STANDARDS:**

SECTION	PROPERTY	STANDARD	YEAR
1523.6.5.1, TAS 110	Physical Properties	ASTM D3462	2016
1523.6.5.1, TAS 110	Wind Resistance	TAS 107	2020
1523.6.5.1, TAS 110	Wind Driven Rain	TAS 100	2023

**3. REFERENCES:**

ENTITY	EXAMINATION	REFERENCE	DATE
PRI (TST 5878)	TAS 100	256T0193	04/17/2023
PRI (TST 5878)	TAS 100	256T0192	04/17/2023
UL LLC (TST 9628)	TAS 107, D3462	4790729664	02/23/2023
UL LLC (TST 9628)	TAS 107, D3462	4790346056	03/15/2023
UL LLC (QUA 9625)	Quality Control	Service Confirmation	08/08/2022
UL LLC (QUA 9625)	Quality Control	Florida BCIS	Current

**4. PRODUCT DESCRIPTION:**

TABLE 1: ASPHALT SHINGLE COMPONENTS				
TYPE	PRODUCT	DESCRIPTION	MATERIAL STANDARD	PLANT(S)
Asphalt Shingles	Landmark®	Fiberglass reinforced, laminated	ASTM D3462	MO, NC
	Landmark® Pro	asphalt roof shingle		MO, NC

**Note:** Any of the above listed shingles may be produced in AR (algae resistant) versions

**5. LIMITATIONS:**

- 5.1 This is a building code evaluation. Neither NEMO ETC, LLC nor Robert Nieminen, P.E. are, in any way, the Designer of Record for any project on which this PEER, or previous versions thereof, is/was used for permitting or design guidance. PEERs are not to be construed as representing any attributes not specifically listed, nor are PEERs to be construed as an endorsement of the subject, or a recommendation for its use. There is no warranty by NEMO ETC, LLC or Robert Nieminen, P.E., express or implied, as to any finding or other matter in this PEER, or as to any product covered by the PEER.
- 5.2 This PEER is exclusively for use in FBC High Velocity Hurricane Zone jurisdictions, as defined in FBC Chapter 2 (Broward and Miami-Dade Counties).
- 5.3 This PEER pertains to above-deck roof components. Roof decks and structural members shall be in accordance with FBC requirements to the satisfaction of the Authority Having Jurisdiction.
- 5.4 This PEER does not include evaluation of fire classification. Refer to **FBC 1516** for requirements and limitations regarding roof assembly fire classification. Refer to **FBC 2603** for requirements and limitations concerning the use of foam plastic insulation.

5.5 **Wind Classification:** Refer to [Section 6](#) for installation requirements to meet wind classifications.

TABLE 2: WIND CLASSIFICATIONS, ASPHALT SHINGLES		
Product	FBC 1523.6.5.1	Mean Roof Height
Landmark® and Landmark® Pro	TAS 107	max. 33 ft

5.6 All components in the roof assembly shall have quality assurance audit in accordance with F.A.C. [Rule 61G20-3](#). Refer to the Product Approval of the component manufacturer for components that are produced by a Product Manufacturer other than the report holder on [Page 1](#) of this PEER.

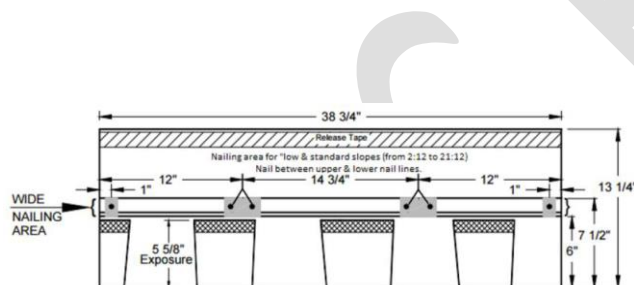
## 6. INSTALLATION:

### 6.1 GENERAL:

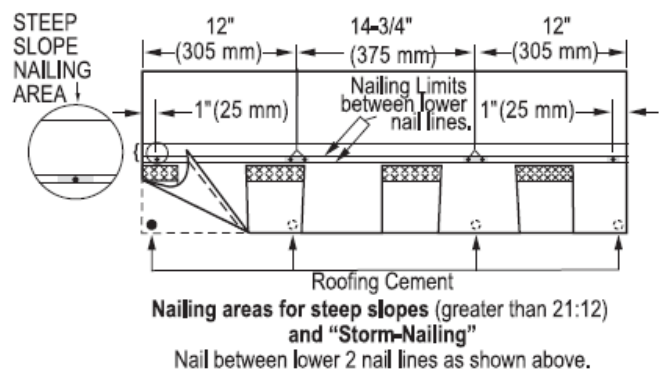
- 6.1.1 Roof deck, slope, underlayment, fasteners, flashings and metal accessories shall comply with [Roofing Application Standard RAS 115](#) and the shingle manufacturer’s minimum requirements.
- 6.1.2 Underlayment shall be acceptable to **CertainTeed, LLC** and shall hold current Florida Statewide Product Approval, or be Locally Approved per [Rule 61G20-3](#), for use in FBC HVHZ jurisdictions, per [FBC Sections 1518.7.1](#) and [Roofing Application Standard RAS 115](#).

### 6.2 ASPHALT SHINGLES:

- 6.2.1 Installation of Landmark® or Landmark® Pro Asphalt Roof Shingles shall comply with the **CertainTeed, LLC** current published instructions, using minimum six (6) nails per shingle in accordance with [FBC 1518.7.3.2](#).
- 6.2.2 Fasteners shall be in accordance with manufacturer’s published requirements, but not less than [Roofing Application Standard RAS 115](#). Staples are not permitted.
- 6.2.3 Where the roof slope exceeds 21 units vertical in 12 units horizontal, use the “Steep Slope” directions.

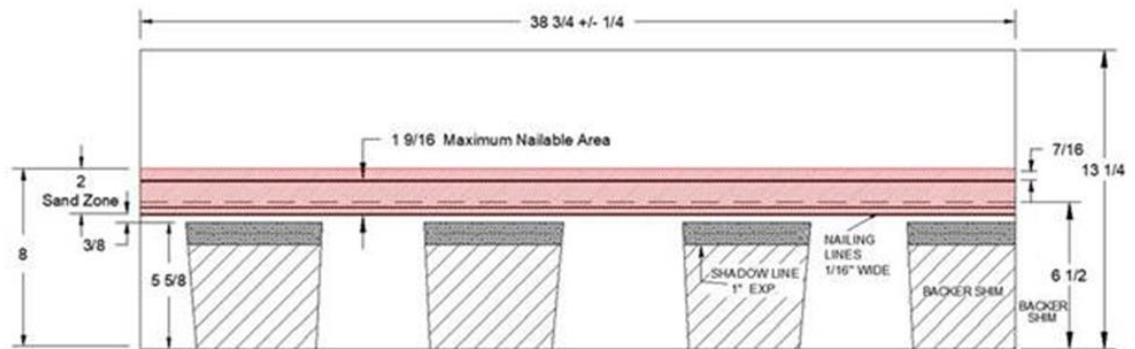


Six (6) Nail Attachment (2:12 to 21:12)



Six (6) Nail Attachment with Roofing Cement (> 21:12)

6.2.4 Landmark® or Landmark® Pro Asphalt Roof Shingles, are available with a 2-inch wide “sand zone” in the nailing area.



Typical view of Asphalt Roof Shingles with 2-inch Sand Zone

**7. BUILDING PERMIT REQUIREMENTS:**

As required by the Building Official or Authority Having Jurisdiction in order to properly evaluate the installation of this product.

**8. MANUFACTURING PLANTS:**

Contact the named QA entity for manufacturing facilities covered by F.A.C. [Rule 61G20-3](#) QA requirements. Refer to [Section 4](#) herein for products and production locations having met codified material standards.

**9. QUALITY ASSURANCE ENTITY:**

[UL, LLC – QUA9625](#): (360) 817-5512; [bsai.inspections@ul.com](mailto:bsai.inspections@ul.com)

- END OF PEER -