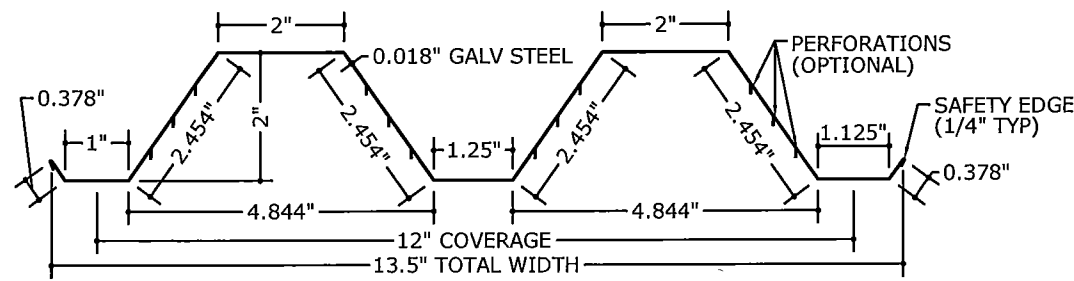
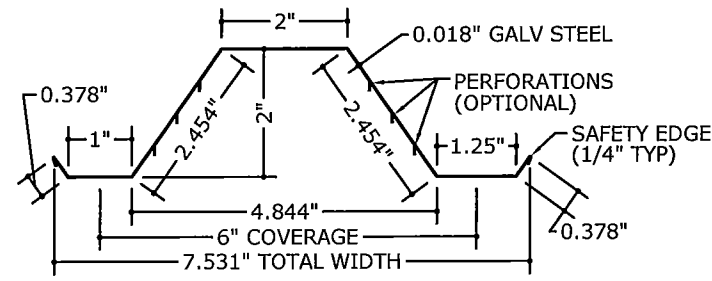


# "SAFETY EDGE" & POLYCARB STORM PANELS

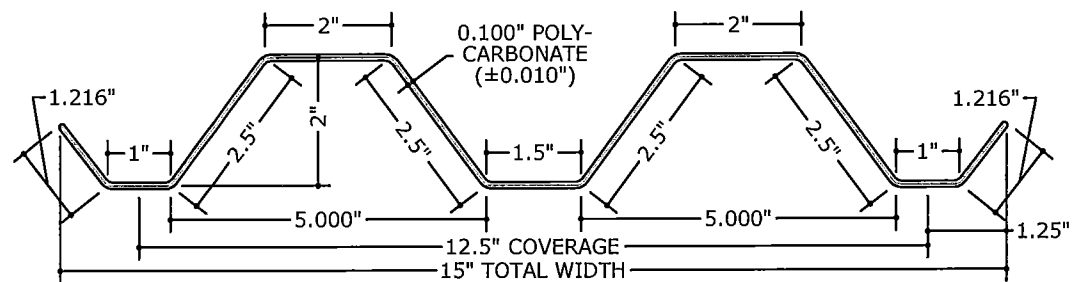
28ga (0.018") STEEL & 0.100" POLYCARB



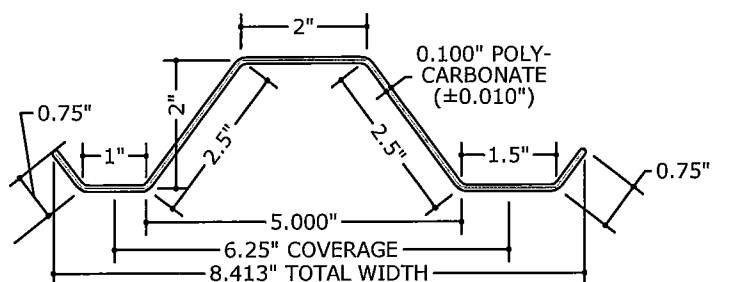
**1a** STEEL STORM PANEL PROFILE  
4" = 1'-0" SECTION



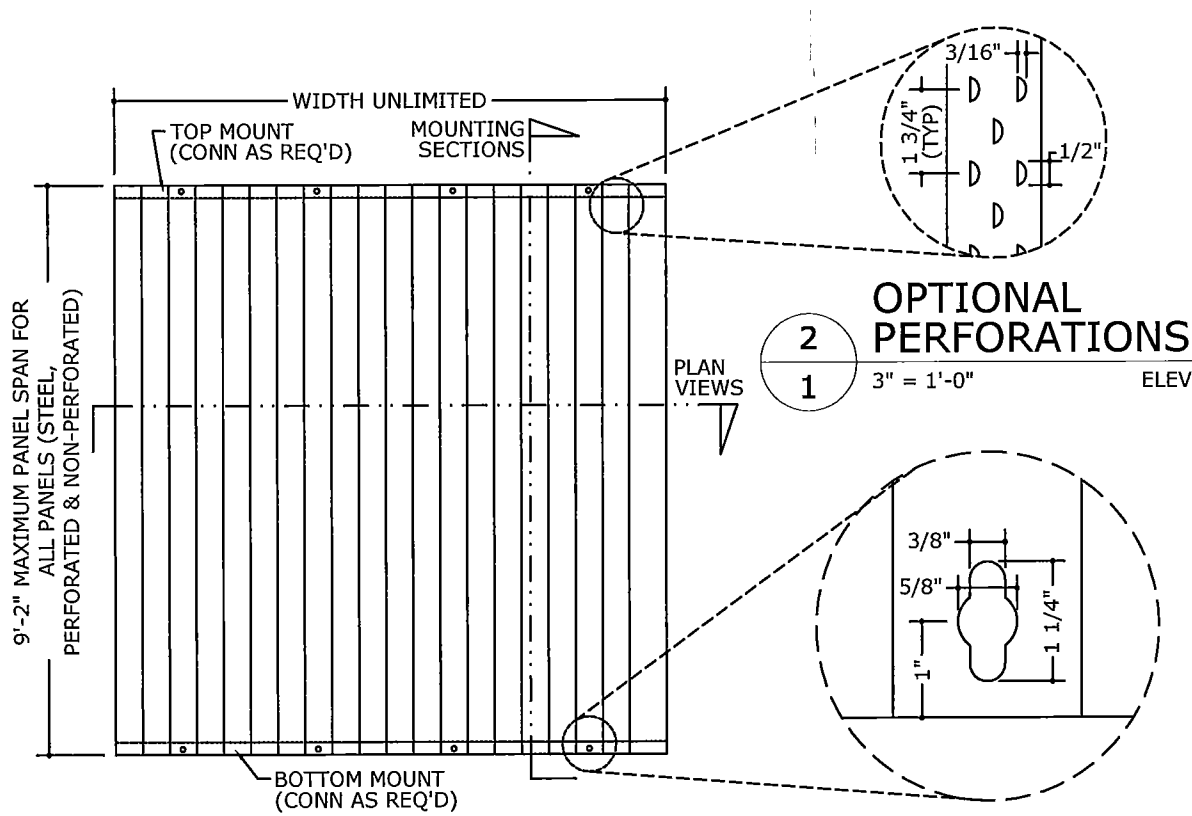
**1b** STEEL HALF-PANEL PROFILE  
4" = 1'-0" SECTION



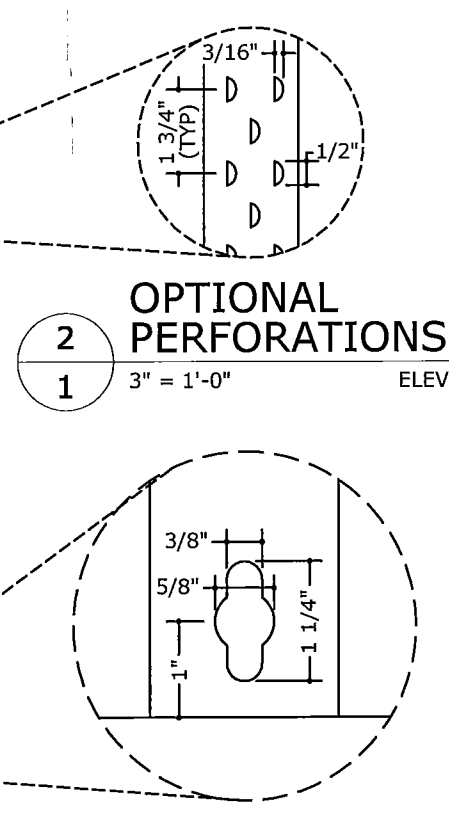
**1c** POLYCARB STORM PANEL PROFILE  
4" = 1'-0" SECTION



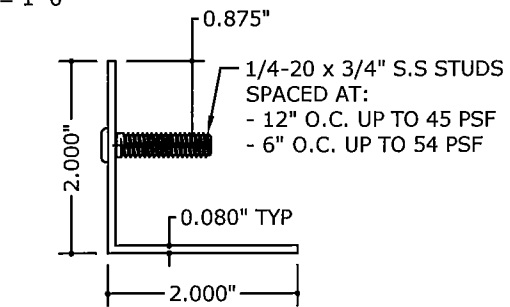
**1d** POLYCARB HALF-PANEL PROFILE  
4" = 1'-0" SECTION



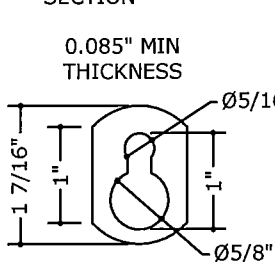
**1** TYPICAL ELEVATION  
1 N.T.S.



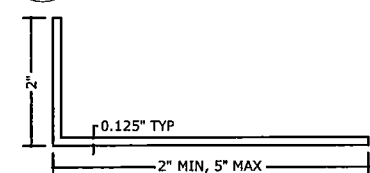
**2** OPTIONAL PERFORATIONS  
1 3" = 1'-0" ELEV



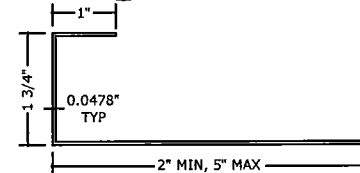
**2** STUDDED ANGLE  
6" = 1'-0"



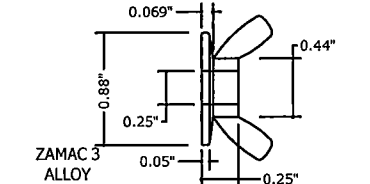
**3** KEYHOLE WASHER  
6" = 1'-0"



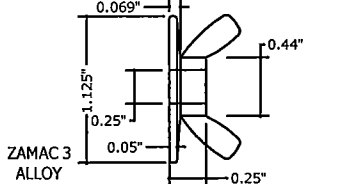
**4** ALUMINUM CLOSURE  
4" = 1'-0"



**5** STEEL J-PAN CLOSURE  
4" = 1'-0"



**6** WASHED WING NUT  
1 NTS



**7** WIDE BASE WASHED WING NUT  
1 NTS

## GENERAL NOTES:

- THIS SYSTEM HAS BEEN TESTED AND EVALUATED AS A LARGE MISSILE IMPACT PROTECTIVE SYSTEM IN ACCORDANCE WITH THE REQUIREMENTS OF THE FLORIDA BUILDING CODE (FBC), THE INTERNATIONAL BUILDING CODE (IBC) AND THE INTERNATIONAL BUILDING CODE (IRC) CURRENT EDITION, FOR USE OUTSIDE THE HIGH VELOCITY HURRICANE ZONE PER ASTM STANDARDS E330, E1886, & E1996 SEE PRODUCT EVALUATION REPORT FOR ADDITIONAL INFORMATION.
- NO 33-1/3% INCREASE IN ALLOWABLE STRESS HAS BEEN USED IN THE DESIGN OF THIS PRODUCT. WIND LOAD DURATION FACTOR  $C_d=1.6$  HAS BEEN USED FOR WOOD ANCHOR DESIGN.
- POSITIVE AND NEGATIVE DESIGN PRESSURES CALCULATED FOR USE WITH THIS SYSTEM SHALL BE DETERMINED PER SEPARATE ENGINEERING IN ACCORDANCE WITH THE GOVERNING CODE. PRESSURE REQUIREMENTS AS DETERMINED IN ACCORDANCE WITH ASCE 7-10 AND CHAPTER 1609 OF THE FLORIDA BUILDING CODE FIFTH EDITION (2014) SHALL BE LESS THAN OR EQUAL TO THE POSITIVE OR NEGATIVE DESIGN PRESSURE CAPACITY VALUES LISTED HEREIN FOR ANY ASSEMBLY AS SHOWN.
- THIS SYSTEM HAS BEEN DESIGNED WITH NO SEPARATION FROM GLAZING REQUIRED FOR ALL WIND ZONES IN ACCORDANCE WITH ASTM E1996-09. IT IS ACCEPTABLE BY CODE UNLESS OPTIONAL CRITERIA IS INDEPENDENTLY ADOPTED BY THE AUTHORITY HAVING JURISDICTION.
- DESIGN PRESSURES NOTED HEREIN ARE BASED ON MAXIMUM TESTED PRESSURES DIVIDED BY A 1.5 SAFETY FACTOR.
- THE SYSTEM DETAILED HEREIN IS GENERIC AND DOES NOT PROVIDE INFORMATION FOR A SPECIFIC SITE. IF SITE CONDITIONS DEVIATE FROM THE CONDITIONS DETAILED HEREIN, A LICENSED ENGINEER OR REGISTERED ARCHITECT SHALL PREPARE SITE SPECIFIC DOCUMENTS TO BE USED IN CONJUNCTION WITH THIS DOCUMENT.
- THE ADEQUACY OF THE EXISTING STRUCTURE TO WITHSTAND SUPERIMPOSED LOADS IS OUTSIDE THE SCOPE OF THIS CERTIFICATION AND SHALL BE VERIFIED BY OTHERS.
- CLEAR POLYCARBONATE PANELS SHALL BE ALTERNATED WITH 0.018" (MIN) GALV STEEL PANELS SUCH THAT NO TWO POLYCARBONATE PANELS ARE ADJACENT TO EACH OTHER.
- NO. 3 KEYHOLE WASHER REQUIRED ONLY WHEN 7/8" Ø WASHERED WING NUT NO. 6 IS USED. WHEN LARGE WASHERED WING NUT NO. 7 IS USED, THE NO. 3 KEYHOLE WASHER IS NOT REQUIRED.
- ALL GALV STEEL STORM PANELS SHALL HAVE MIN GALVANIZED THICKNESS  $t=0.018"$  CONFORMING TO ASTM A653, STRUCTURAL QUALITY GRADE 40, WITH G60 GALVANIZED COATING AND MIN  $F_y=44.58$  KSI.
- CLEAR POLYCARBONATE STORM PANELS WITH 12.5" COVERAGE SHALL BE MFD BY TRANSPARENT PROTECTION SYSTEMS, Inc., AND THOSE WITH 6.25" COVERAGE SHALL BE MANUFACTURED BY TOWN & COUNTRY INDUSTRIES, Inc. ALL POLYCARB PANELS SHALL BE EXTRUDED WITH THICKNESS  $t=0.100"$  ( $\pm 0.010"$ ) AND SHALL BE MANUFACTURED FROM 100% SYNTHETIC THERMOPLASTIC POLYMER RESIN (UV STABILIZED). TYPICAL TENSILE STRENGTH  $F_y=8.908$  KSI, FLEXURAL STRENGTH  $F_{by}=12.90$  KSI, & FLEXURAL MODULUS IS 328.7 KSI.
- ALL EXTRUSIONS SHALL BE 6063-T6 ALUMINUM ALLOY, UNLESS NOTED OTHERWISE.
- PANELS SHALL BE PERMANENTLY LABELED WITH A MINIMUM OF ONE LABEL PER PANEL AS FOLLOWS:  
TOWN & COUNTRY INDUSTRIES  
FT. LAUDERDALE, FL  
ASTM E1886, E1996 & E330 MISSILE LEVEL D  
FLORIDA PRODUCT APPROVAL NUMBER
- STORM PANELS HAVE BEEN DESIGNED AND TESTED TO THE MAXIMUM SPANS AND LOADS SHOWN ON THESE DRAWINGS. REFERENCE CONSTRUCTION TESTING CORPORATION (CTC OF MIAMI, FL) TEST REPORTS #04-004, #04-005, & #04-006.
- TOP & BOTTOM DETAILS SHOWN MAY BE INTERCHANGED AS FIELD CONDITIONS DICTATE. PANELS MAY BE MOUNTED HORIZONTALLY WHERE APPLICABLE.
- ALL BOLTS & WASHERS SHALL BE ZINC COATED STEEL, GALVANIZED STEEL OR STAINLESS STEEL WITH A MINIMUM TENSILE YIELD STRENGTH OF 33 KSI.

FRANK L. BENNARDO, P.E.  
PE0046549  
LICENSED PROFESSIONAL ENGINEER  
No. 46549  
ENGINEERING EXPRESS  
160 SW 12th AVENUE, SUITE 200  
DEERFIELD BEACH, FL 33442  
Ph: (954) 354-0660 FAX: (954) 354-0443  
WWW.ENGPRESS.COM  
CERT. OF AUTH. #9886  
A FRANK L. BENNARDO, P.E., INC. INNOVATION

**Town & Country**  
INDUSTRIES  
Wholesale Aluminum and Building Products  
A Division of ABC Supply Co., Inc.  
400 WEST MCNAB ROAD  
FT. LAUDERDALE, FL 33309  
FL12856.2

REMARKS	DRWN	CHKD	DATE
INIT ISSUE	CL	FLB	09/22/05
2007 FBC	RKB	CL	12/30/08
2010 FBC (05-TCM-0001)	KL	FLB	12/15/11
2014 FBC	RWN	CSL	03/20/15

THIS DOCUMENT IS THE PROPERTY OF FRANK L. BENNARDO, P.E. AND SHALL BE KEPT IN CONFIDENCE. IT IS TO BE USED ONLY FOR THE PROJECT AND SITE SPECIFICALLY IDENTIFIED HEREIN. ANY REPRODUCTION OR ALTERATION OF THIS DOCUMENT WITHOUT WRITTEN CONSENT OF FRANK L. BENNARDO, P.E. IS STRICTLY PROHIBITED. ANY ALTERATIONS, ADDITIONS, MISPLACING, OR OTHER MARKINGS TO THIS DOCUMENT ARE NOT PERMITTED AND INVALIDATE OUR CERTIFICATION.

COPYRIGHT FRANK L. BENNARDO P.E.

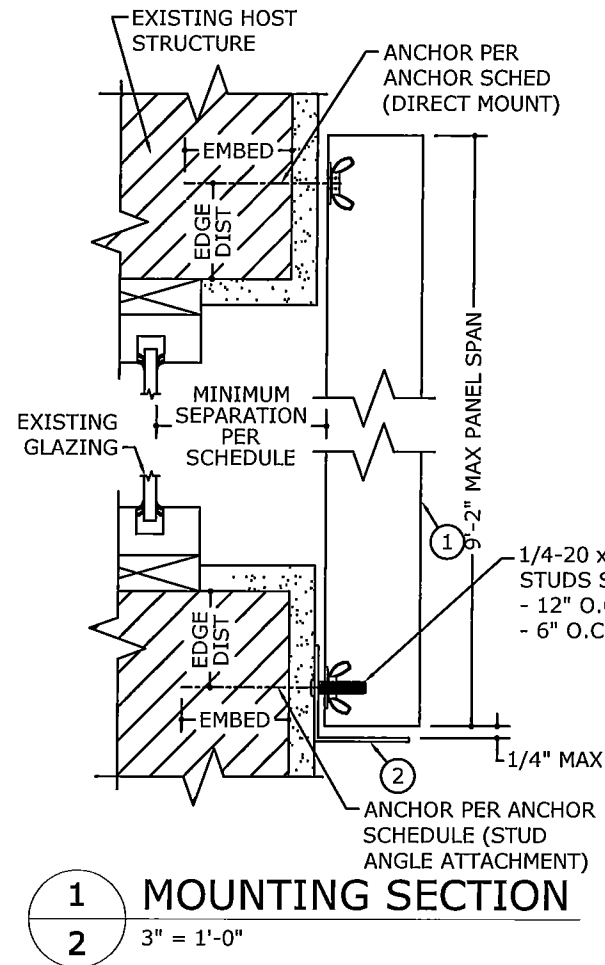
15-2337

SCALE: -

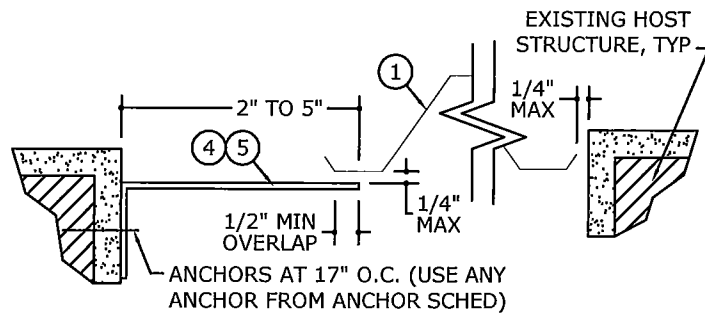
PAGE DESCRIPTION:

1 OF 3

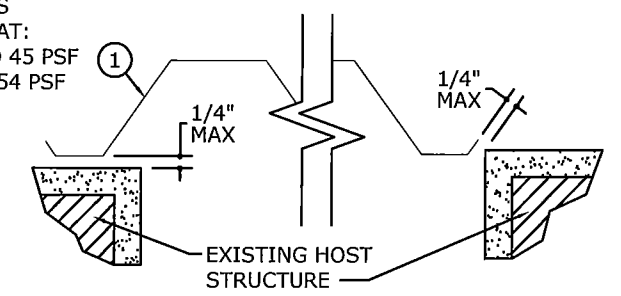
04/17/2015 - 9:25am intem1 V:\Projects\15-2337 28ga Safety Edge w Polycarb Storm Panel - FSA - Update FL12856.2 for 201-Project\WP15-2337c 28ga & Polycarb Storm Panels (FSA).dwg



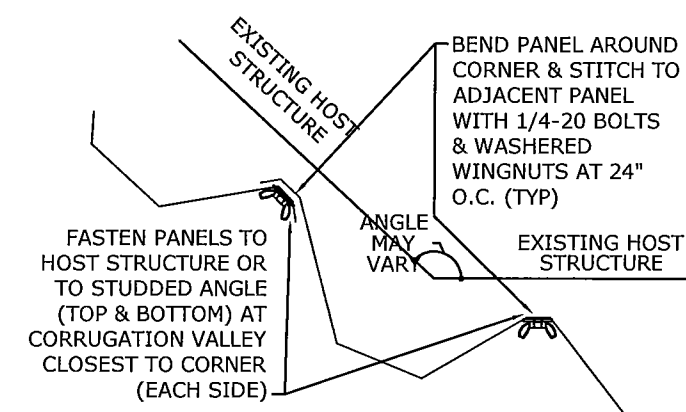
**1 MOUNTING SECTION**  
 2 3" = 1'-0"



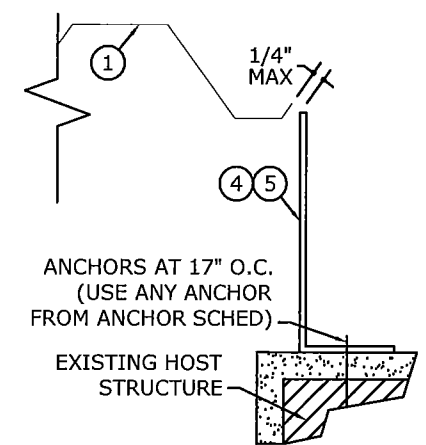
**2 TRAP MOUNT CLOSURE**  
 2 3" = 1'-0" PLAN VIEW



**3 WALL MOUNT CLOSURE**  
 2 3" = 1'-0" PLAN VIEW



**4 CORNER CLOSURE**  
 2 N.T.S. PLAN VIEW



**5 BUILD-OUT MOUNT CLOSURE**  
 2 3" = 1'-0" PLAN VIEW

SPAN SCHEDULE	
<b>28ga (0.018") GALV STEEL PANELS</b>	
MAX LOAD:	±54.0 psf
MAX SPAN:	9'-2" (ALL MOUNTING CONDITIONS)
MIN SPANS:	26" (DIRECT MOUNT TOP & BOTTOM) 16" (ALL OTHER CONDITIONS)
<b>0.100" CLEAR POLYCARB FULL-/HALF-PANELS</b>	
MAX LOAD:	±54.0 psf
MAX SPAN:	9'-2" (ALL MOUNTING CONDITIONS)
MIN SPANS:	24" (DIRECT MOUNT TOP & BOTTOM) 15" (ALL OTHER CONDITIONS)

GLASS SEPARATION SCHEDULE	
(REQUIRED ONLY IN ESSENTIAL FACILITIES)	
<b>28ga (0.018") GALV STEEL PANELS</b>	
•	MIN. GLASS SEPARATION FOR INSTALLATIONS AT OR BELOW 30' ABOVE GRADE: 5.375"
•	MIN. GLASS SEPARATION FOR INSTALLATIONS GREATER THAN 30' ABOVE GRADE: 5.375"
<b>0.100" CLEAR POLYCARB FULL-/HALF-PANELS</b>	
•	MIN. GLASS SEPARATION FOR INSTALLATIONS AT OR BELOW 30' ABOVE GRADE: 7.350"
•	MIN. GLASS SEPARATION FOR INSTALLATIONS GREATER THAN 30' ABOVE GRADE: 5.375"

**GLASS SEPARATION SCHEDULE NOTES:**

1. GLASS SEPARATION SCHEDULE PROVIDES MINIMUM SEPARATION DISTANCE REQUIRED BETWEEN EXTERIOR FACE OF GLAZING (OR OTHER PRODUCT BEING PROTECTED) AND INTERIOR FACE OF INSTALLED STORM PANEL.
2. SEPARATION DISTANCE PER THIS SCHEDULE IS REQUIRED FOR USE WITH POSITIVE LOADS ONLY.
3. SEPARATION FROM GLASS IS REQUIRED **ONLY** WHEN INSTALLED WITHIN ESSENTIAL FACILITIES.

FRANK L. BENNARDO, P.E.  
 LICENSE NO. 46549  
**ENGINEERING EXPRESS**  
 PROFESSIONAL ENGINEER  
 160 SW 12th AVENUE, 2nd FL  
 DEERFIELD BEACH, FL 33442  
 PH: (954) 354-0660 FAX: (954) 354-0443  
 WWW.ENGPRESS.COM  
 CERT OF AUTH #9885  
 A FRANK L. BENNARDO, P.E., INC. INNOVATION

**Town & Country INDUSTRIES**  
 Wholesale Aluminum and Building Products  
 A Division of ABC Supply Co., Inc.  
 400 WEST MCNAB ROAD  
 FT. LAUDERDALE, FL 33309  
 FL12856.2

DRWN	CHKD	DATE
CL	FLB	09/22/05
RKB	CL	12/30/08
KL	FLB	12/19/11
RWN	CSL	03/20/15

REMARKS  
 INIT ISSUE  
 2007 FBC  
 2010 FBC (05-TCM-0001)  
 2014 FBC

THIS DOCUMENT IS THE PROPERTY OF FRANK L. BENNARDO, P.E. AND SHALL NOT BE REPRODUCED OR TRANSMITTED IN ANY FORM OR BY ANY MEANS, ELECTRONIC OR MECHANICAL, WITHOUT THE WRITTEN PERMISSION OF FRANK L. BENNARDO, P.E. ANY UNAUTHORIZED REPRODUCTION OR TRANSMISSION OF THIS DOCUMENT IS NOT PERMITTED AND INVALIDATES OUR CERTIFICATION.

COPYRIGHT FRANK L. BENNARDO P.E.

15-2337  
 SCALE: -  
 PAGE DESCRIPTION:  
 2 OF 3

04/17/2015 - 4:22pm item1 V:\Projects\15-2337 28ga Safety Edge w Polycarb Storm Panel - FSA - Update FL12856.2 for 201-Project\WP\15-2337c 28ga & Polycarb Storm Panels (FSA).dwg

# ANCHOR SCHEDULE (STUD ANGLE ATTACHMENT)

HOST STRUCT.	ANCHOR	LOAD (psf)	Spans Up To 5'-0"	Spans Up To 6'-8"	Spans Up To 7'-6"	Spans Up To 9'-2"
CONCRETE	1/4" ITW S.S. TAPCON W/ 1-3/4" EMBED, 1-1/4" EDGE DIST. (3192psi MIN CONC)	33	16.0"	16.0"	16.0"	16.0"
		38	16.0"	16.0"	16.0"	16.0"
		47	16.0"	16.0"	16.0"	16.0"
		54	16.0"	16.0"	16.0"	16.0"
	1/4" ELCO ULTRACON 1-3/4" EMBED, 1" MIN. EDGE DIST. (2846psi MIN CONC)	33	16.0"	16.0"	16.0"	16.0"
		38	16.0"	16.0"	16.0"	16.0"
		47	16.0"	16.0"	16.0"	16.0"
		54	16.0"	16.0"	16.0"	16.0"
	1/4" ALL POINTS SOLID-SET ANCHOR x 7/8" EMBED & 1-1/4" MIN EDGE DIST (3000psi MIN CONC)	33	16.0"	16.0"	16.0"	16.0"
		38	16.0"	16.0"	16.0"	16.0"
		47	16.0"	16.0"	15.9"	15.9"
		54	16.0"	16.0"	15.9"	15.9"
1/4" MILLENIUM MILLFAST W/ 1-3/4" EMBED, 1" MIN. EDGE DIST. (3275 psi MIN CONC)	33	16.0"	16.0"	16.0"	16.0"	
	38	16.0"	16.0"	16.0"	16.0"	
	47	16.0"	16.0"	16.0"	16.0"	
	54	16.0"	16.0"	16.0"	16.0"	

HOST STRUCT.	ANCHOR	LOAD (psf)	Spans Up To 5'-0"	Spans Up To 6'-8"	Spans Up To 7'-6"	Spans Up To 9'-2"
HOLLOW BLOCK	1/4" ITW S.S. TAPCON W/ 1-1/4" EMBED, 4" MIN. EDGE DIST.	33	14.5"	11.9"	10.6"	7.9"
		38	12.6"	10.3"	9.2"	6.9"
		47	10.2"	8.4"	7.4"	5.6"
		54	8.9"	7.3"	6.5"	4.8"
	1/4" ELCO ULTRACON W/ 1-1/4" EMBED, 1" MIN. EDGE DIST.	33	16.0"	14.0"	13.1"	11.1"
		38	16.0"	13.5"	12.2"	9.6"
		47	14.3"	11.7"	10.4"	7.8"
		54	12.4"	10.2"	9.1"	6.8"
	1/4" ALL POINTS SOLID-SET ANCHOR x 7/8" EMBED, 2" MIN. EDGE DIST.	33	16.0"	16.0"	16.0"	16.0"
		38	16.0"	16.0"	16.0"	16.0"
		47	16.0"	16.0"	16.0"	15.9"
		54	16.0"	15.1"	14.7"	13.9"
1/4" MILLENIUM MILLFAST W/ 1-1/4" EMBED, 1" MIN. EDGE DIST.	33	16.0"	14.9"	14.4"	13.3"	
	38	16.0"	14.2"	13.3"	11.6"	
	47	16.0"	13.3"	12.0"	9.4"	
	54	14.9"	12.2"	10.9"	8.1"	

HOST STRUCT.	ANCHOR	LOAD (psf)	Spans Up To 5'-0"	Spans Up To 6'-8"	Spans Up To 7'-6"	Spans Up To 9'-2"
WOOD (G=0.55 MIN SPECIFIC GRAVITY)	1/4" ITW S.S. TAPCON OR #14 WOOD SCREW x 2" EMBED	33	16.0"	15.7"	15.5"	15.2"
		38	16.0"	14.9"	14.3"	13.2"
		47	16.0"	13.9"	12.8"	10.7"
		54	16.0"	13.3"	12.0"	9.3"
	1/4" LAG SCREW x 2" THREAD EMBED	33	16.0"	15.8"	15.7"	15.5"
		38	16.0"	15.0"	14.5"	13.4"
		47	16.0"	13.9"	12.9"	10.9"
		54	16.0"	13.4"	12.1"	9.5"

HOST STRUCT.	ANCHOR	LOAD (psf)	Spans Up To 5'-0"	Spans Up To 6'-8"	Spans Up To 7'-6"	Spans Up To 8'-4"	Spans Up To 9'-2"
WOOD (G=0.42 MIN SPECIFIC GRAVITY)	1/4" ITW S.S. TAPCON OR ELCO ULTRACON x 2" EMBED	33	16.0"	16.0"	16.0"	16.0"	16.0"
		38	16.0"	15.9"	15.9"	15.8"	15.8"
		47	16.0"	14.7"	14.1"	13.4"	12.8"
		54	15.1"	13.5"	12.7"	11.9"	11.1"
	1/4" LAG SCREW x 2" EMBEDMENT	33	16.0"	15.7"	15.6"	15.4"	15.3"
		38	16.0"	14.9"	14.4"	13.8"	13.3"
		47	16.0"	13.9"	12.9"	11.8"	10.8"
		54	16.0"	13.3"	12.0"	10.7"	9.4"

## ANCHOR NOTES:

- "ELCO PANELMATE" ANCHORS MAY BE ELCO FEMALE PANELMATE OR ELCO PANELMATE PLUS, AS ILLUSTRATED.
- ENSURE MINIMUM 2" EDGE DISTANCE FOR ANCHORS TO CONCRETE & TO HOLLOW BLOCK, U.N.O. EDGE DISTANCE OF 3/4" IS ACCEPTABLE FOR ANCHORS TO WOOD.
- MINIMUM EMBEDMENT SHALL BE AS NOTED IN ANCHOR SCHEDULE. MINIMUM EMBEDMENT AND EDGE DISTANCE EXCLUDES STUCCO, FOAM, BRICK, AND OTHER WALL FINISHES.
- ANCHORS SHALL BE INSTALLED IN ACCORDANCE WITH MANUFACTURERS' RECOMMENDATIONS.
- ALL CONCRETE ANCHORS SPECIFIED HEREIN SHALL BE INSTALLED TO NON-CRACKED CONCRETE ONLY. ALL BLOCK SUBSTRATES SHALL BE ASTM C-90 MINIMUM.
- WHERE EXISTING STRUCTURE IS WOOD FRAMING, EXISTING CONDITIONS MAY VARY. FIELD VERIFY THAT FASTENERS ARE INTO ADEQUATE WOOD FRAMING MEMBERS, NOT PLYWOOD.
- WHERE ANCHORS FASTEN TO NARROW FACE OF STUD FRAMING, ANCHOR SHALL BE LOCATED IN CENTER OF NOMINAL 2x4 (MIN) WOOD STUD (i.e. 3/4" EDGE DISTANCE IS ACCEPTABLE FOR ANCHORS TO WOOD FRAMING). WOOD STUD SHALL BE "SOUTHERN PINE" G=0.42 OR GREATER DENSITY, UNLESS OTHERWISE NOTED.
- ANCHOR SCHEDULE APPLIES FOR ALL PRODUCTS CERTIFIED HEREIN, BUT ONLY PROVIDES MAXIMUM ALLOWABLE ANCHOR SPACING. MAXIMUM ALLOWABLE SPANS AND PRESSURES INDICATED IN SPAN SCHEDULE SHALL APPLY.
- MACHINE SCREWS SHALL HAVE MINIMUM OF 1/2" ENGAGEMENT OF THREADS IN BASE ANCHOR AND MAY HAVE EITHER A PAN HEAD, TRUSS HEAD, OR WAFER HEAD ("SIDEWALK BOLT") U.N.O.

# ANCHOR SCHEDULE (DIRECT MOUNT)

HOST STRUCT.	ANCHOR	LOAD (psf)	Spans Up To 5'-0"	Spans Up To 6'-8"	Spans Up To 7'-6"	Spans Up To 9'-2"
CONCRETE	1/4" PANELMATE (PLUS OR FEMALE) x 1-3/4" EMBED (3350psi MIN CONC)	33	12.0"	12.0"	12.0"	12.0"
		38	12.0"	12.0"	12.0"	12.0"
		45	12.0"	12.0"	12.0"	12.0"
		54	6.0"	6.0"	6.0"	6.0"
	1/4" ITW "SAMMYS SSC" WITH 1-3/4" EMBED (3295psi MIN CONC)	33	12.0"	12.0"	12.0"	12.0"
		38	12.0"	12.0"	12.0"	12.0"
		45	12.0"	12.0"	12.0"	12.0"
		54	6.0"	6.0"	6.0"	6.0"
	1/4" ALL POINTS SOLID-SET ANCHOR x 7/8" EMBED & 1-1/4" MIN EDGE DIST (3000psi MIN CONC)	33	12.0"	12.0"	12.0"	12.0"
		38	12.0"	12.0"	12.0"	12.0"
		45	12.0"	12.0"	12.0"	12.0"
		54	6.0"	6.0"	6.0"	6.0"

HOST STRUCT.	ANCHOR	LOAD (psf)	Spans Up To 5'-0"	Spans Up To 6'-8"	Spans Up To 7'-6"	Spans Up To 9'-2"
HOLLOW BLOCK	1/4" PANELMATE (PLUS OR FEMALE) x 1-3/4" EMBED (3350psi MIN CONC)	33	12.0"	12.0"	12.0"	12.0"
		38	12.0"	12.0"	12.0"	12.0"
		45	12.0"	12.0"	12.0"	12.0"
		54	6.0"	6.0"	6.0"	6.0"
	1/4" ITW "SAMMYS SSC" WITH 1-1/4" EMBED	33	12.0"	12.0"	12.0"	12.0"
		38	12.0"	12.0"	12.0"	12.0"
		45	12.0"	12.0"	12.0"	12.0"
		54	6.0"	6.0"	6.0"	6.0"
	1/4" ALL POINTS SOLID-SET ANCHOR x 7/8" EMBED, 2" MIN. EDGE DIST.	33	12.0"	12.0"	12.0"	12.0"
		38	12.0"	12.0"	12.0"	12.0"
		45	12.0"	12.0"	12.0"	12.0"
		54	6.0"	6.0"	6.0"	6.0"

HOST STRUCT.	ANCHOR	LOAD (psf)	Spans Up To 5'-0"	Spans Up To 6'-8"	Spans Up To 7'-6"	Spans Up To 9'-2"
WOOD (G=0.55 MIN SPECIFIC GRAVITY)	1/4" PANELMATE (PLUS OR FEMALE) x 1-1/4" EMBED	33	12.0"	12.0"	12.0"	12.0"
		38	12.0"	12.0"	12.0"	12.0"
		45	12.0"	12.0"	12.0"	12.0"
		54	6.0"	6.0"	6.0"	6.0"
	1/4" 18-8 STAINLESS STEEL HANGER BOLT x 2" EMBED	33	12.0"	12.0"	12.0"	12.0"
		38	12.0"	12.0"	12.0"	12.0"
		45	12.0"	12.0"	12.0"	12.0"
		54	6.0"	6.0"	6.0"	6.0"

HOST STRUCT.	ANCHOR	LOAD (psf)	Spans Up To 5'-0"	Spans Up To 6'-8"	Spans Up To 7'-6"	Spans Up To 8'-4"	Spans Up To 9'-2"
WOOD (G=0.42 MIN SPECIFIC GRAVITY)	1/4" PANELMATE (PLUS OR FEMALE) x 1-1/4" EMBED	33	12.0"	12.0"	12.0"	12.0"	12.0"
		38	12.0"	12.0"	12.0"	12.0"	
		45	12.0"	12.0"	12.0"	12.0"	
		54	6.0"	6.0"	6.0"	6.0"	
	1/4" 18-8 STAINLESS STEEL HANGER BOLT x 2" EMBED	33	12.0"	12.0"	12.0"	12.0"	12.0"
		38	12.0"	12.0"	12.0"	12.0"	
		44	12.0"	12.0"	12.0"	12.0"	
		54	6.0"	6.0"	6.0"	6.0"	

FRANK L. BENNARDO, P.E.  
 PROFESSIONAL ENGINEER  
 No. 46549  
 ENGINEERING EXPRESS  
 160 SW 12th Avenue, #1186  
 DEERFIELD BEACH, FL 33442  
 Ph: (954) 354-0660 FAX: (954) 444-9443  
 WWW.ENGPRESS.COM  
 CERT OF AUTH #9885  
 A. FRANK L. BENNARDO, P.E., INC. INNOVATIVE

**Town & Country**  
 INDUSTRIES  
 Wholesale Aluminum and Building Products  
 A Division of ABC Supply Co., Inc.  
 400 WEST MCNAB ROAD  
 FT. LAUDERDALE, FL 33309  
 FL12856.2

REMARKS  
 INIT ISSUE DATE  
 2007 FBC CL 09/22/05  
 2010 FBC (05-TCM-0001) RKB CL 12/30/08  
 2014 FBC KLB FLB 12/15/11  
 2014 FBC RWN CSL 03/20/15  
 THIS DOCUMENT IS THE PROPERTY OF FRANK L. BENNARDO, P.E. AND SHALL NOT BE REPRODUCED IN WHOLE OR PART WITHOUT WRITTEN CONSENT OF FRANK L. BENNARDO, P.E. ALL RIGHTS RESERVED. REVISIONS OR OTHER CHANGES TO THIS DOCUMENT ARE NOT PERMITTED AND INVALIDATE OUR WARRANTY.

COPYRIGHT FRANK L. BENNARDO P.E.  
 15-2337  
 SCALE: -  
 PAGE DESCRIPTION: -  
 3

04/17/2015 - 9:25am intern1 V:\Projects\15-2337 28ga Safety Edge w Polycarb Storm Panel - FSA - Update FL12856.2 for 201-Project\WP15-2337c 28ga & PolyCarb Storm Panels (FSA).dwg